

# J4M Medium Area Light

## Job Information:

Project:

Prepared by:

Comments:

Approved by:

## Features:

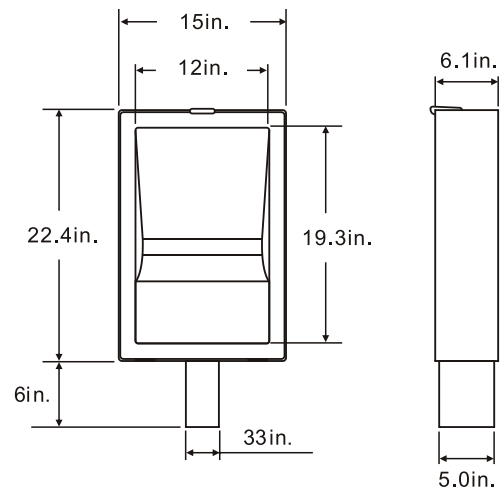
**Application:** Walkways, Driveways, Malls, Shopping Centers, Commercial and Industrial, Parkways.

**Light Distribution:** Type 3, Type 4

**Source:** High Pressure Sodium, Pulse Start Metal Halide

**Material:** Steel Housing, Powder Coat Finish, Clear Tempered Glass Lens Mounting.

**Listing:** cULus for Wet Locations



## Ordering Guide:

Example: J4M-PS250-T4-BZ

Series	Lamp Type	Light Distribution	Color	Accessories	Mounting
J4M	<b>Pulse Start Metal Halide</b> PSMH250 = 250W, QUAD PSMH320 = 320W, QUAD PSMH400 = 400W, QUAD <b>High Pressure Sodium</b> HPS150 = 150W, QUAD	T3 = Type 3 T4 = Type 4	BZ = Bronze	PC1 = Photocell 120V PC2 = Photocell 208-277V SF = Single Fusing DF = Double Fusing HS = House Side Shield LL = Polycarbonate Shield	A = Single B = Double @ 180° C = Double @ 90° D = Triple @ 90° E = Quad @ 90° F = Triple @ 120° G = Parallel WM = Wall Mount