

Silhouette/Series E

Electric projection screen with revolutionary case design

by **DRAPER**

Specifications—Silhouette/Series E

_____ projection screens, size _____ h. x _____ w., wall or ceiling mounting, by Draper, Inc., Spiceland, Indiana. Case finished (White (standard)/black/grey), free of exposed fasteners. Back and top of extruded aluminum in L-shaped section; front in a contoured shape. Endcaps die-cast, of rounded design, flush with case contour. Front section easily removable for access to motor and viewing surface. Viewing surface to be flame and mildew resistant. Bottom of viewing surface enclosed in dowel; dowel to disappear inside case when retracted. Matt White XT1000E and Contrast Grey XH800E viewing surfaces are certified to GREENGUARD standards for low chemical emissions into indoor air during product usage. For more information, visit ul.com/gg. Note: All viewing surfaces will be seamless. Electrically operated 60 Hz., 110-120V AC,



Please Mark Appropriate Selections

Select Viewing Surface:

- Matt White XT1000E (1.0 gain): GREENGUARD Gold certified
- Argent White XH1500E (1.5 gain)
- Contrast Grey XH800E (0.8 gain): GREENGUARD Gold certified
- Other _____

Select Case Color:

- White (standard)
- Black
- Grey

Select Mounting Method:

- Wall ("Z" Clips supplied)
- Ceiling (Ceiling bracket supplied)
- Extended Wall (Must be specified now and at time of order)
 - 6" brackets
 - 10"-14" brackets

Select Motor and Controls:

Standard Voltage Motor and Control Options:

- 110-120V AC (standard)
- Optional Quiet Motor

Please Note: These motors come with one 110V-120V AC 3-position wall switch (silver wall plate with black rocker).

Total number of 110-120V AC switches (operate independently)

- Substitute white switch(es) for silver wall plate with black rocker
- Optional Key Operated Switch
 - Power Supply Key Switch (On-off)
 - 3-Position Key Control
 - 3-Position Switch with Hinged Key-Locking Coverplate

Low Voltage Motor and Control Options:

- Optional External LVC-IV Low Voltage Control Module
- Optional Motor with Built-in Low Voltage Controller
- Optional Quiet Motor with Built-in Low Voltage Controller

Please Note: Select Control Options for Low Voltage from below.

- 24 Volt 3-Button Switch Number of 24V switches: _____
- Radio Frequency Remote Control (only with 24v)
- Infrared Remote Control (only with 24v)
- Optional Key Operated Switch
 - Power Supply Key Switch (On-off)
 - 3-Position Switch with Hinged Key-Locking Coverplate

Optional Video Interface Control (not compatible with other controls)

- VIC-115 Override Switch
 - VIC-12 Override Switch
 - VIC-6 Override Switch
- (VICs are compatible only with the Override Switch, and not with any other wall switches or controls)

Optional Accessories:

- Black Masking Borders (Standard on NTSC, HDTV & 16:10 Sizes)
- Extra Screen Drop ²

- Same color as viewing surface (standard on AV format screens)
- Black (standard on all other formats)

Length of total drop (including standard 12" on some sizes—see grid at right) ³ _____ (Total screen height cannot exceed 8'; extra drop increases length of case)

¹Not recommended for screens smaller than 80" wide when used with LCD or DLP projectors.

3-wire motor mounted inside screen roller, 1.1 amp draw, instantly reversible, lifetime lubricated, with internal thermal overload protector and electric brake, with preset limits. Roller of 2" dia. metal. 3-position control switch to stop or reverse screen at any point. Switch(es) furnished with cover plate. Entire unit certified by Underwriters' Laboratories, Inc., for the U.S. and Canada. Entire unit patented by Draper, Inc. (U.S. Patent Nos. 5,296,964 and 6,111,694). **Downloadable 3-part specifications are available at www.draperinc.com.** Specifications subject to change without notice.

Dimensions & Data

Size H x W	Case Length ²	Net Wt. (lbs.)	Qty.
---------------	-----------------------------	-------------------	------

1:1 AV Format			
50" x 50"	61½"	27	
60" x 60"	71½"	29	
70" x 70"	81½"	34	
84" x 84"	95½"	40	
72" x 96"	108"	48	
96" x 96"	108"	53	

Nom. Diag.	Image Area	Overall Size	Case Length ²	Net Wt. (lbs.)	Qty.
------------	------------	--------------	--------------------------	----------------	------

4:3 NTSC Video Format					
6'	42½" x 56½"	46½" x 59½"	71½"	26	
7'	50" x 66½"	53½" x 69½"	81½"	31	
10'	60" x 80"	64" x 83½"	95½"	37	
10'	69" x 92"	73" x 96"	108"	45	

16:9 HDTV Format					
65" ³	31¾" x 56½"	43¾" x 59½"	71½"	25	
73" ³	36" x 64"	48" x 69½"	81½"	30	
82" ³	40½" x 72"	52½" x 74"	86"	33	
92" ³	45" x 80"	57" x 83½"	95½"	37	
100" ³	49" x 87"	61" x 91"	103"	45	
106" ³	52" x 92"	64" x 96"	108"	45	
110" ³	54" x 96"	66" x 100"	112"	45	

16:10 Format					
67" ³	35¼" x 56½"	47¼" x 59½"	71½"	25	
76" ³	40" x 64"	52" x 69½"	81½"	30	
85" ³	45" x 72"	57" x 74"	86"	33	
94" ³	50" x 80"	62" x 83½"	95½"	37	
109" ³	57½" x 92"	69½" x 96"	108"	45	
113" ³	60" x 96"	72" x 100"	112"	45	

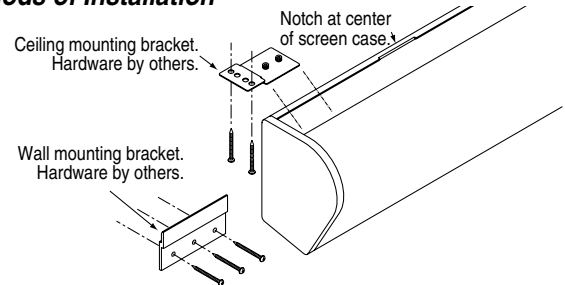
Custom Size

² Factory installed LVC-IV inside case will increase case length by 7⅜". Factory installed VIC-6, VIC-12 or VIC-115 will not increase case length. Extra Drop may increase case and dowel length.

³ These sizes include 12" black drop as standard.

Also available in 1.85:1, 2.35:1 and 15:9 Formats. Contact Draper.

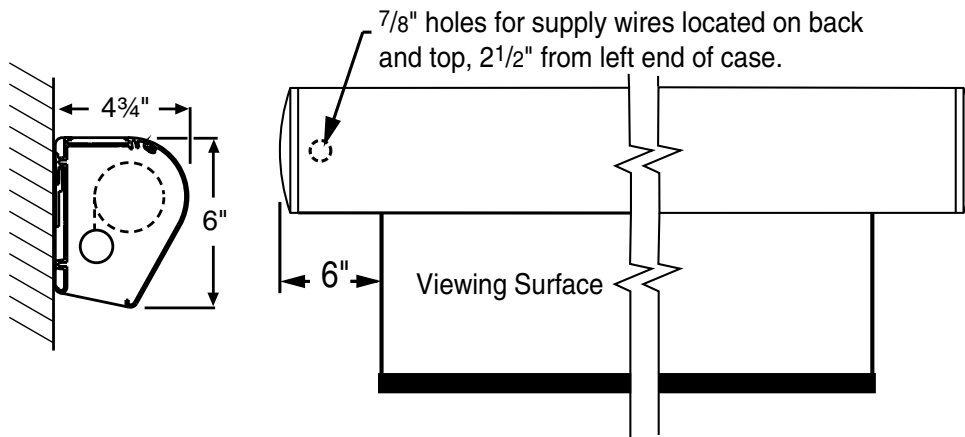
Methods of Installation



PROJECT:	_____
ARCHITECT:	_____
CONTRACTOR:	_____
SUPPLIER:	_____
DATE:	_____
REVISED:	_____

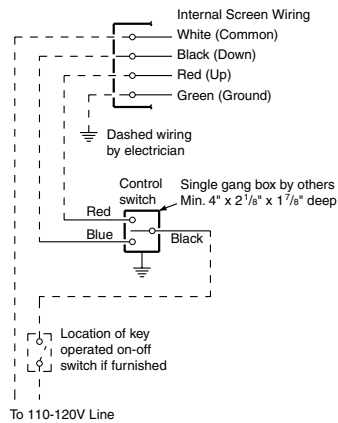


Case Dimensions

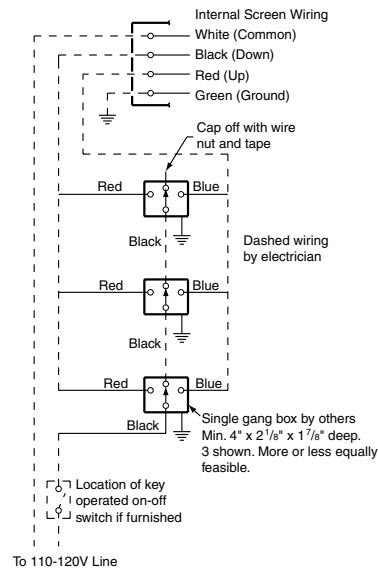


Wiring Diagrams*

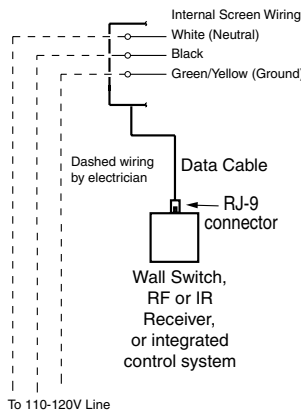
Single Station Control



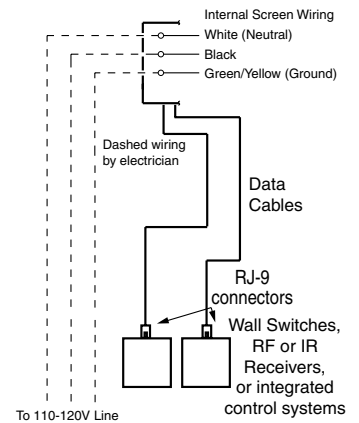
Multiple Station Control



Single Low Voltage Control



Multiple Low Voltage Controls



Please Note: For external low voltage (LVC-IV), serial (LVC-IV) and network (LVC-IV & LS100) wiring diagrams, please consult instructions for those modules.

*** For more information and wiring diagrams for serial and network communication, please see wiring diagrams supplied with individual items.**

PROJECT:	_____
SUPPLIER:	_____
DATE:	_____ REVISED: _____