

Nocturne™/Series C

Crank Operated Exterior
Projection Screen

by **DRAPER**

Please check all appropriate selections and attach schedule with verified dimensions.

Specifications-Nocturne Exterior Projection Screen

_____ projection screens, size _____ h. x _____ w.
Roller to be 1 1/2" dia. with .065 wall, or 2" dia. with .080 wall,
in extruded aluminum. Roller assembly easily removable.

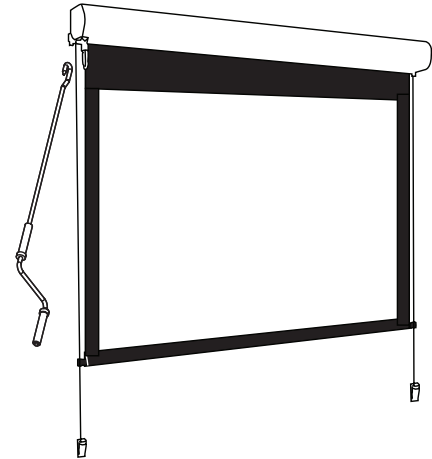


Two-piece aluminum screen case shall be 4" tall x 5" deep" with integrated hinge and die-cast, universal end caps and sealing liners. To be delivered as completely assembled unit. White (standard), black, ivory, charcoal bronze or silver powder coat finish. Aluminum dowel with tear drop shape, weighted to reduce viewing surface movement. Attached universal guides for cable (supplied with 13' preassembled cable assemblies). Color matching wall or deck (sill) mounts.

Viewing Surface to be fire and mildew resistant. Matt White XT1000E and Contrast Grey XH800E viewing surfaces shall qualify as low emitting and meet all of the requirements of the GREENGUARD for Children and Schools and GREENGUARD certification programs.

Operated by detachable polished aluminum crank. Bi-directional crank operator to mount at either end of roller. Never needs lubrication or adjustment. Crank handle assembly of powder coated and chromed steel, up to 6' in length, and detachable.

Please note: Dimensions of rollers, operators and hardware at manufacturer's discretion.



Select Viewing Surface

- Matt White XT1000E (1.0 gain): GREENGUARD for Children and Schools certified
- Contrast Grey XH800E (0.8 gain): GREENGUARD for Children and Schools certified
- Other: _____

Select Optional Accessories

- Extra Screen Drop
 - Same color as viewing surface
 - Black (standard)
- Length of total drop (including standard 12" on some sizes): _____

Select Hardware Finish

- White (standard)
- Black
- Ivory
- Charcoal Bronze
- Silver

Select Operator Location

- Left Side (standard)
- Right Side

Dimensions & Data

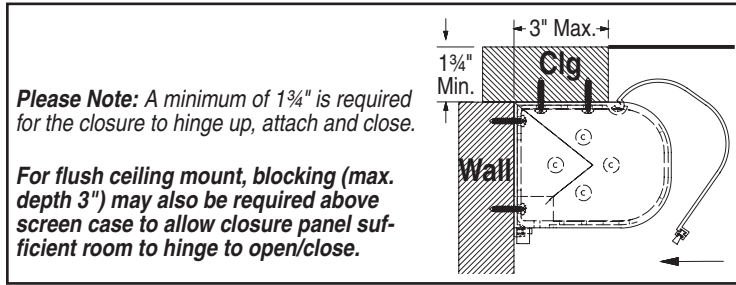
Nominal Diagonal	Image Area H x W	Overall Size	Case Length	Net Wt. (lbs.)	Qty.
4:3 NTSC Video Format					
6'	42 1/2" x 56 1/2"	46 1/2" x 59 1/2"	62 7/8"	34	
7'	50" x 66 1/2"	53 1/2" x 69 1/2"	72 7/8"	38	
100"	60" x 80"	64" x 83 1/2"	86 7/8"	44	
10'	69" x 92"	73" x 96"	99 3/8"	49	
11'	78" x 104"	83" x 108"	111 3/8"	73	
150"	87" x 116"	92" x 120"	123 3/8"	81	
16:9 HDTV Format					
65"*	31 3/4" x 56 1/2"	43 3/4" x 59 1/2"	62 7/8"	34	
73"*	36" x 64"	48" x 69 1/2"	72 7/8"	38	
82"*	40 1/2" x 70"	52 1/2" x 74"	77 3/8"	40	
92"*	45" x 80"	57" x 83 1/2"	86 7/8"	44	
100"*	49" x 87"	61" x 91"	94 3/8"	47	
106"*	52" x 92"	64" x 96"	99 3/8"	49	
110"*	54" x 96"	66" x 100"	103 3/8"	51	
119"	58" x 104"	62" x 108"	111 3/8"	73	
133"	65" x 116"	69" x 120"	123 3/8"	81	
16:10 Format					
94"*	50" x 80"	62" x 83 1/2"	86 7/8"	44	
102"*	54" x 87"	66" x 91"	94 3/8"	47	
109"*	57 1/2" x 92"	69 1/2" x 96"	99 3/8"	49	
113"*	60" x 96"	72" x 100"	103 3/8"	51	
123"	65" x 104"	69" x 108"	111 3/8"	73	
137"	72 1/2" x 116"	76 1/2" x 120"	123 3/8"	81	
Custom Size					

*These sizes include 12" black drop as standard.

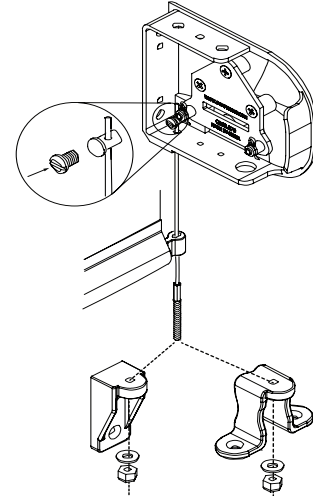
DRAPER

411 S. Pearl St., Spiceland, IN 47385 USA ■ 765-987-7999
www.draperinc.com ■ fax 765-987-7142
Copyright © 2015 Draper Inc. Form NocturneC_Sub15 Printed in U.S.A.

PROJECT: _____
ARCHITECT: _____
CONTRACTOR: _____
SUPPLIER: _____
DATE: _____ REVISED: _____



Cable Guides



Nocturne/Series C Dimensions

