

SNOWLAB 1 DSNL4000-BFI-TCHR

PROJECT PROJÉT
SPEC TYPE
NOTES



OVERALL HEIGHT HAUTEUR HORS TOUT

LIGHT SOURCE	HAL TRACK 1 CIRCUIT	LED TRACK 1 CIRCUIT	HAL-LED	LED DIM
MOUNTING	2734	2734F	2491E	2403G
CABLE	71.70"	72.45"	70.70"	71.20"

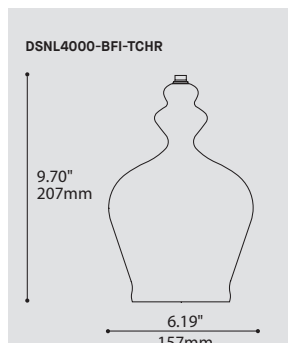
MOUNTING OPTIONS OPTIONS DE MONTAGE

2734	2734F	2491E	2403G
3.85" x 2.03" 98 x 52mm	7.25" x 1.70" 37 x 35mm	Ø5.00" x 1.00" Ø127 x 25mm	Ø4.50" x 1.50" Ø114 x 38mm

* OVERALL HEIGHT DOES NOT INCLUDE TRACK THICKNESS

STEM OR CABLE OPTIONS OPTIONS DE TIGE OU CABLE

CABLE STD 60" 1523mm	
----------------------------	--



OPTIONS



UNLIT/ÉTEINT

ORDERING SPECIFICATION	SPÉCIFICATION DE COMMANDE	CODE
MODEL MODÈLE	DSNL4000-BFI	DSNL4000-BFI
DSNL4000-BFI	SNOWLAB 1	
LIGHT SOURCE SOURCE LUMINEUSE		
(WATTAGE, LAMP TYPE, LAMP FORM, BASE TYPE, OTHER INFO)		
MR16C.50	50W, HAL, MR16C, GU5.3 BASE	
LED.4.30	4W, LED 3000K (WARM)	
LED.4.40	4W, LED 4000K (NEUTRAL)	
VOLTAGE VOLTAGE		
120V	120 VOLT	
277V*	277 VOLT	
	*NOT AVAILABLE WITH A TRACK ADAPTOR	
DIMMING OPTION OPTION DE GRADATION		
FOR LED ONLY		
DV*	0-10V DIMMING (120-277V)	
DP	PHASE DIMMING (120V ONLY)	
	*NOT AVAILABLE WITH A TRACK ADAPTOR	
CABLE CABLE		C
C	CLEAR CABLE, FIELD ADJUSTABLE	
CABLE LENGTH LONGUEUR DE CABLE		
60	60" CABLE (STD LENGTH)	
**	CUSTOM CABLE LENGTH (PLEASE SPECIFY)	
	FOR OVERALL LENGTH PLEASE CONTACT YOUR EUREKA REPRESENTATIVE	
MOUNTING MONTAGE		
RC	ROUND CANOPY / PAVILLON ROND FOR HAL & LED: 1" CANOPY (2491E) FOR DIMMING LED: 1.50" CANOPY (2403G)	
TA1	TRACK ADAPTOR / ADAPTATEUR DE RAIL 1 CIRCUIT HAL 120/12V ADAPTOR (2734) LED DIMMING & NON-DIMMING 120V ADAPTOR (2734F)	
TRACK ADAPTOR FINISH FINI ADAPTATEUR DE RAIL ^(A)		
WH	WHITE	
BLK	BLACK	
M G	METALLIC GRAY	
	^(A) FILL IN IF A TRACK ADAPTOR IS SELECTED, OTHERWISE LEAVE EMPTY	
STRUCTURE FINISH FINI STRUCTURE		CHR
CHR	CHROME	
DIFFUSER FINISH FINI DIFFUSEUR		TCHR
TCHR	TRANSLUCENT CHROME	

PRODUCT CHARACTERISTICS CARACTÉRISTIQUES DU PRODUIT

DESIGN: Designed by Snowlab, this modern interpretation of a traditional glass bell is a beautiful and subtle statement.

INSTALLATION: Easy to install and adjust custom clear silicone power cable.

LIGHT SOURCE: MR16 halogen with electronic transformer.

STRUCTURE: Die-cast steel structure with chrome plated finish.

DIFFUSER: Clear blown glass.

CERTIFIED: c-CSA-us

CONCEPTION: Interprétation moderne de Snowlab d'une cloche de verre traditionnelle apportant une belle touche de style subtile.

INSTALLATION: Facile à installer et à ajuster sur câble d'alimentation en silicone clair.

SOURCE LUMINEUSE: Halogène MR16.

STRUCTURE: Acier embouti chromé.

DIFFUSEUR: Verre soufflé clair.

CERTIFIÉ: c-CSA-us

LED VERSION
For chrome and gold BFI and BFH glass shade

CLEAR TEMPERATURE RESISTANT POWER CABLE
Easy to adjust

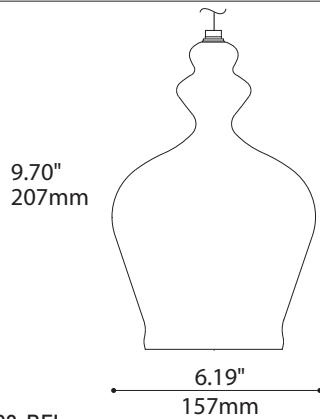
MODERN INTERPRETATION OF A TRADITIONNAL GLASS BELL
Creating a beautiful and subtle statement

HALOGEN VERSION
For clear, chrome and gold BFI and BFH glass shade

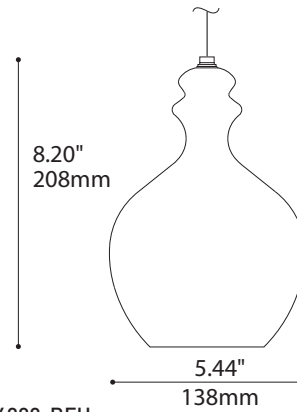
LED MODULE WITH DIE-CAST ALUMINUM HEATSINK
Black anodized for improved thermal management

BEAM ANGLE
48° beam angle PMMA TIR (total internal reflecting) optic

HALOGEN MR16C



DSNL4000-BFI



DSNL4000-BFH

SPECIFICATIONS

LIGHT SOURCE

LED

4 x Luxeon Rebel ES on MCPCB - total ±4 w

HALOGEN

22W - 40W

MODULE

UL recognized - made in USA

N/A

LUMENS (ESTIMATED)

376 lm [3000K] - 468 lm [4000K] initial

N/A

CRI

95 CRI [3000K] - 85 CRI [4000K]

N/A

ROHS

Compliant

HEATSINK

Black anodized aluminium

N/A

LIGHT DISTRIBUTION

Direct-Indirect

DIFFUSER

Translucent chrome and gold

Clear, translucent chrome and gold

OPTICS

LEDIL TIR - 48° beam angle

N/A

VOLTAGE

120V or 277V

120V or 277V

DRIVER

Lightech 350 mA

Dimmable electronic low voltage transformer

DIMMING

Phase dimming (DP) or 0-10V dimming (DV)

WARRANTY

5 years (on electronic components)

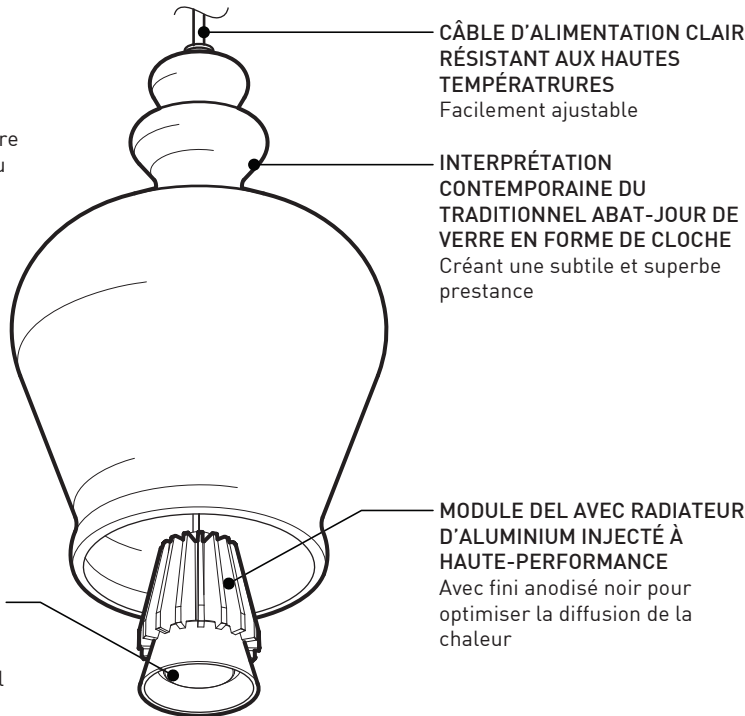
3-5 years (on transformer, depending of the transformer)

LM-79 & CERTIFICATION

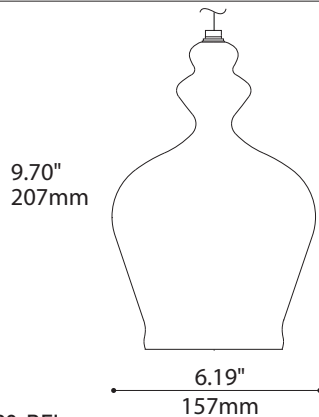
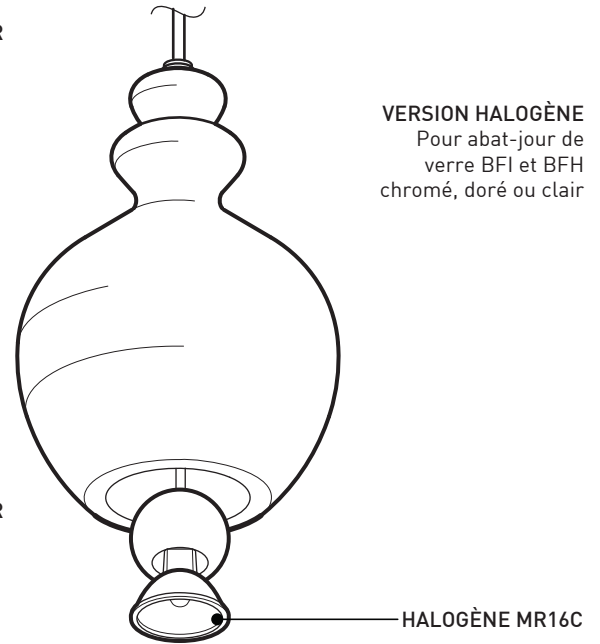
In process & CSA recognized

VERSION DEL
Pour abat-jour de verre
BFI et BFH chromé ou
doré

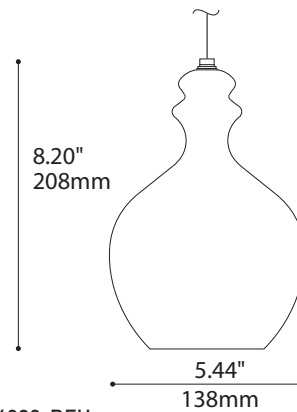
ANGLE TOTAL DE
FAISCEAU
LUMINEUX DE 48°
PMMA RTI (réflexion
totale interne)
optique Ledil



VERSION HALOGÈNE
Pour abat-jour de
verre BFI et BFH
chromé, doré ou clair



DSNL4000-BFI



DSNL4000-BFH

SPÉCIFICATIONS

	DEL	HALOGÈNE
SOURCE LUMINEUSE	4 x Luxeon Rebel ES sur MCPCB - total ±4 w	22W - 40W
MODULE	Reconnu par UL - Fabriqué aux États-Unis	N/A
LUMENS (ESTIMÉ)	376 lm [3000K] - 468 lm [4000K] initial	N/A
IRC	95 IRC (3000K) - 85 IRC (4000K)	N/A
ROHS	Conforme	
RADIATEUR	Aluminium anodisé noir	N/A
DISTRIBUTION LUMINEUSE	Direct-Indirect	
DIFFUSEUR	Chrome et doré translucide	Clair, chrome et doré translucide
OPTIQUE	LEDIL TIR- angle total de faisceau de 48°	N/A
VOLTAGE	120V ou 277V	120V ou 277V
PILOTE	Lightech 350 mA	Transformateur électronique à bas voltage et à intensité variable
GRADATION	Gradation phase [DP] ou Gradation 0-10V [DV]	
GARANTIE	5 ans (sur les composants électroniques)	3-5 ans (sur le transformateur, selon le transformateur)
LM-79 & CERTIFICATION	En cours & Reconnu par CSA	