

The Great Outdoors



A high-angle photograph of an ice skating rink. The ice is covered in numerous scratches and tracks from skaters. In the upper portion of the frame, the lower legs and feet of three people are visible, wearing ice skates. Long, dark shadows of the people are cast across the ice, extending from the top towards the bottom of the image. The lighting is bright, suggesting a sunny day.

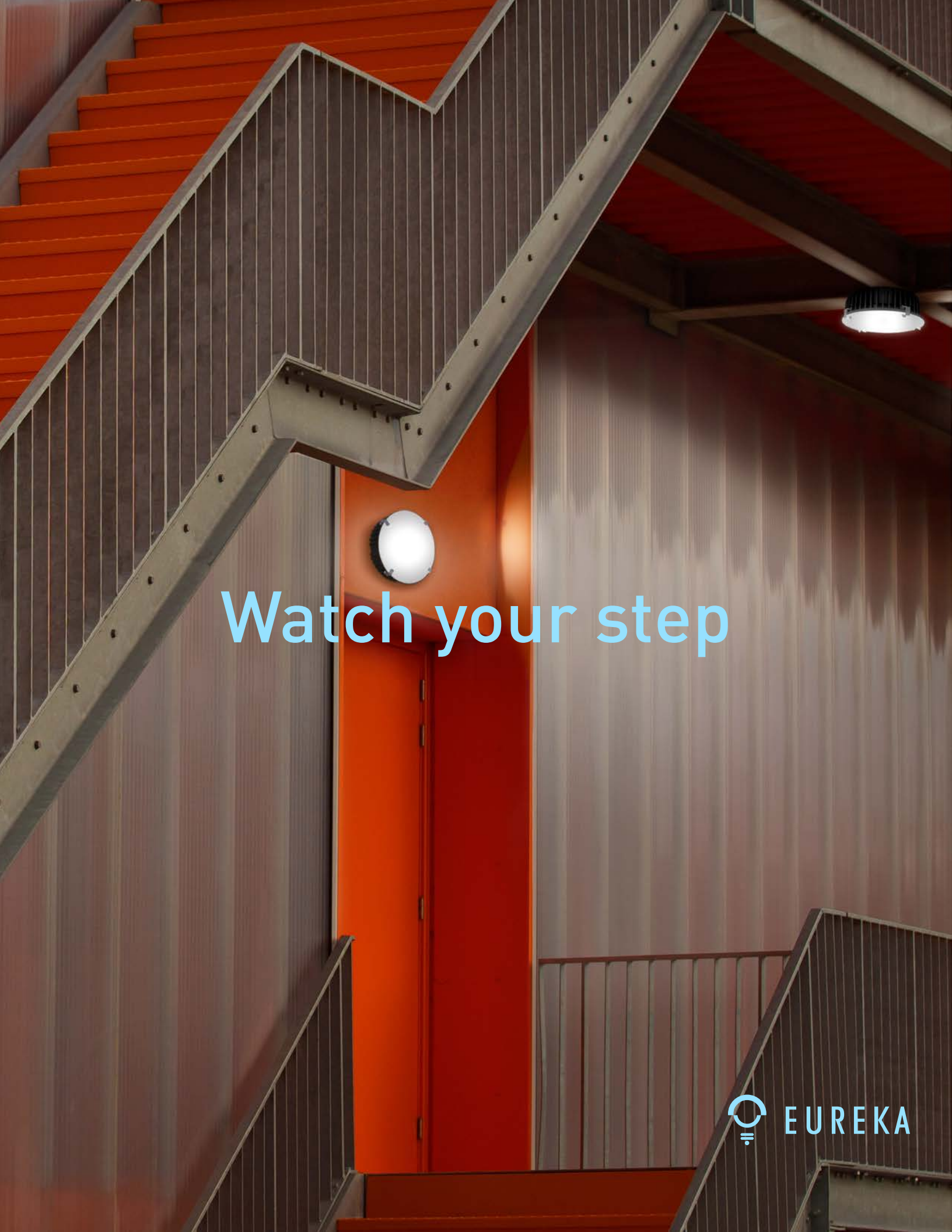
Eureka wants to play



Don't stay on the porch

Join in

Get out



Watch your step



Keep moving



Enjoy the view



EUREKA

The image features a white brick wall as the background. Two identical pendant lights hang from the top, each with a black, ribbed, cylindrical shade and a white, bowl-shaped diffuser. The lights are turned on, casting a soft glow. The floor at the bottom of the frame is made of dark, horizontal wooden planks.

Sure, we like to stay in too

and smell the coffee

A modern dining room featuring a long wooden table and six teal chairs with wooden legs. Two large, white, ribbed pendant lights hang above the table. The floor is made of wood in a herringbone pattern. A wooden door is visible on the left side of the frame.

You're welcome

Introducing a new line
of all-terrain luminaires

*more than **20** new combinations*

“When it rains, it pours!”



Retro high-tech

4x66x-NPM / Gatsby

 EUREKA



Terrace not included

4x66x-TAS / Plaza

 EUREKA



Industrial Sleek

4x66x-NPL / Leroy





Bold sophistication

4x66x-SNW / Metro

 EUREKA



Rocket science

4x66x-SCR / Turbo





Back to basics

4x66x-SIJ / Coupé

 EUREKA

Smooth operator

White papers

Photometric pages, Anatomy sheets and other serious stuff

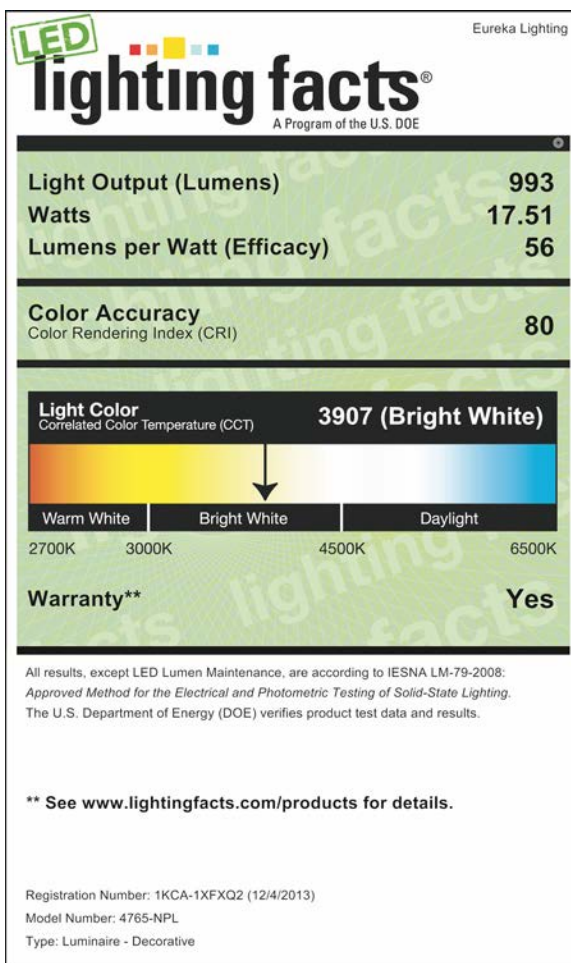
Been there, done that

Once installed in a fixture, LED chips behave differently than what the spec sheet read. But how differently?

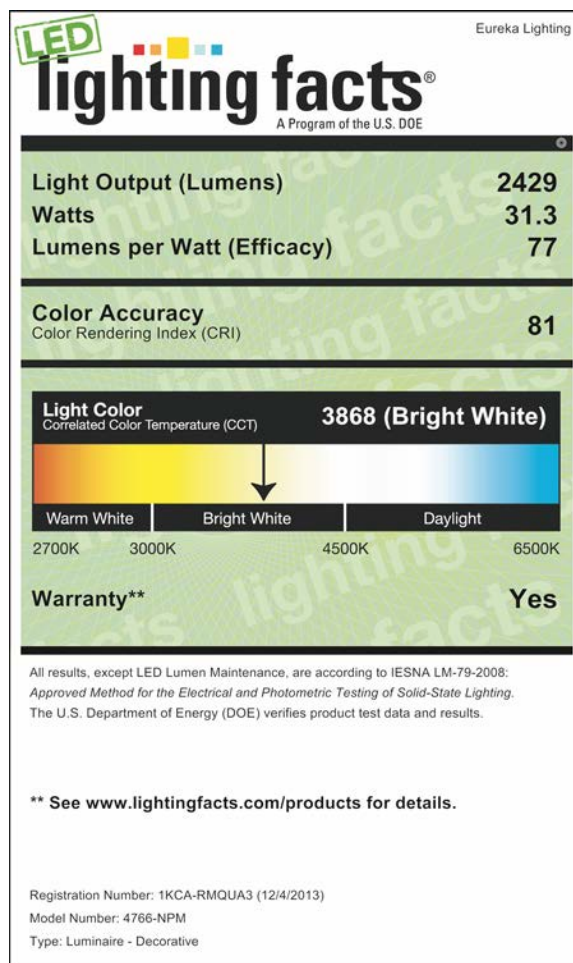
We don't like false claims. Whenever possible, Eureka works with a DOE certified independent lab to test families of fixtures for energy consumption, light output, chromaticity. LM-79 tests are industry standardized test procedures that measure actual performance qualities of LED luminaires.

Lighting Facts labels feature verified data about a light fixture's performing characteristics, tested under LM-79 test procedure. They have to minimally contain 5 metrics: lumens, watts, efficacy, color rendering index and correlated color temperature.

4765-NPL / Elroy



4x66x-NPM / Gatsby

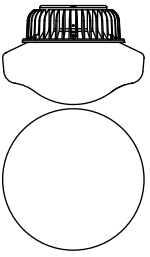




EUREKA

GATSBY

4766-NPM-LED.26.40-120V-DLT
26W LED CONSTANT CURRENT 4000K

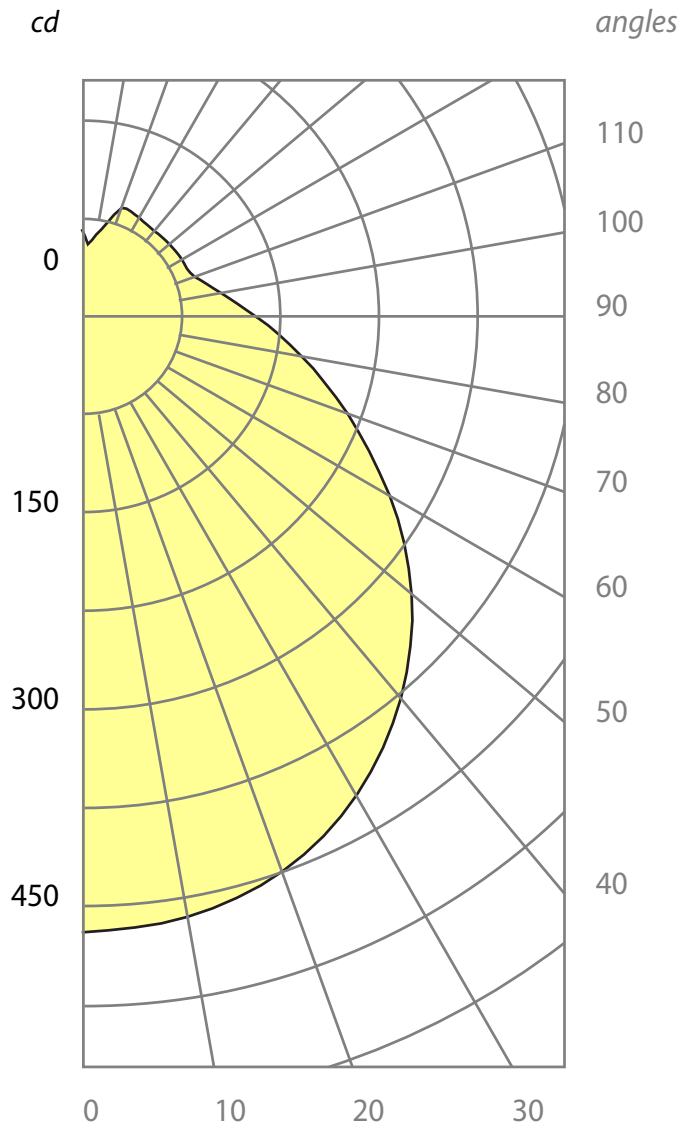


Photometric Report

| | |
|--------------------------|-----------------|
| Number of light sources: | 1 |
| Lumens per light source: | 2429 |
| Input watts: | 31.3 |
| Distribution: | Direct-Indirect |
| Efficacy (lm/W): | 77.6 |
| Photometric type: | C |

Luminous dimensions

| | |
|-----------------|-----------|
| Luminous shape: | Rectangle |
| Units: | Feet |
| 0-180 Axis: | 1.083 |
| 90-270 Axis: | 1.083 |
| Height: | 0.750 |

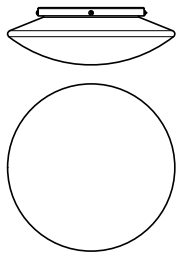




EUREKA

ELROY

4765-NPL -LED.14.40-120V-DHP
14W LED CONSTANT CURRENT 4000K

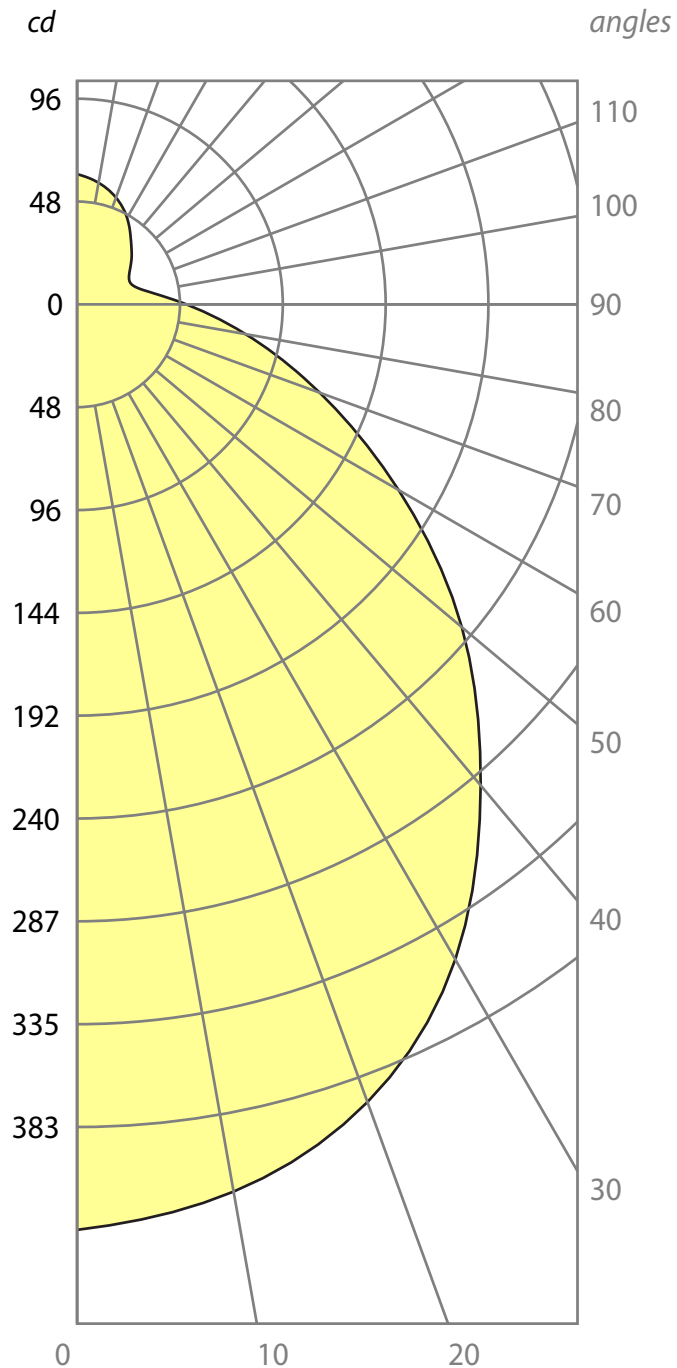


Photometric Report

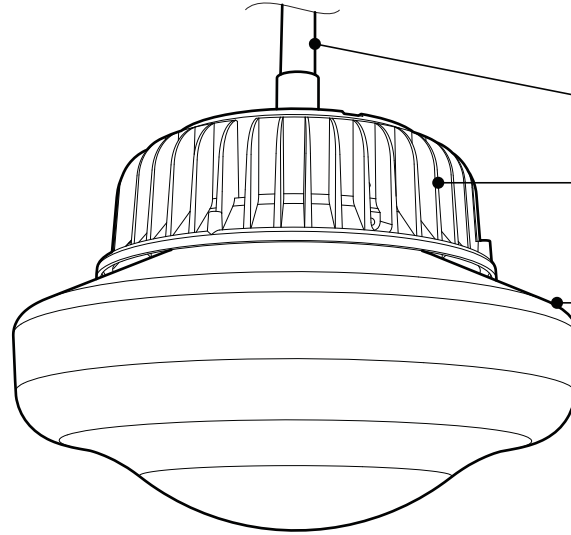
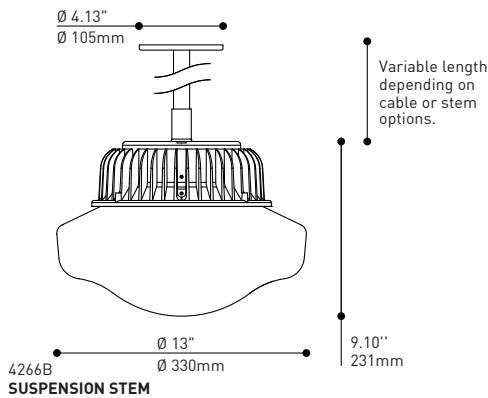
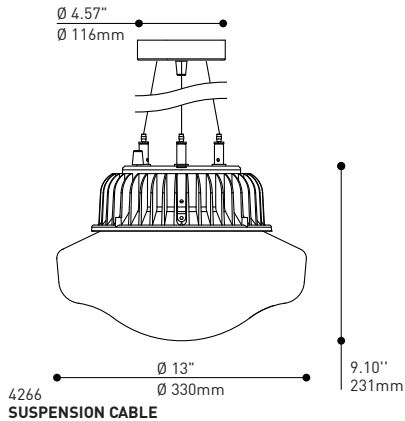
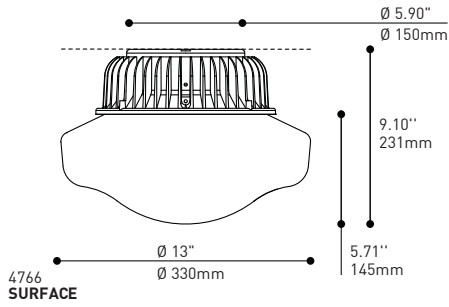
| | |
|--------------------------|-----------------|
| Number of light sources: | 7 |
| Lumens per light source: | 141.8 |
| Input watts: | 14.7 |
| Distribution: | Direct-Indirect |
| Efficacy (lm/W): | 56.7 |
| Photometric type: | C |

Luminous dimensions

| | |
|-----------------|-----------|
| Luminous shape: | Rectangle |
| Units: | Feet |
| 0-180 Axis: | 1.000 |
| 90-270 Axis: | 1.000 |
| Height: | 0.339 |



V1.0-201311

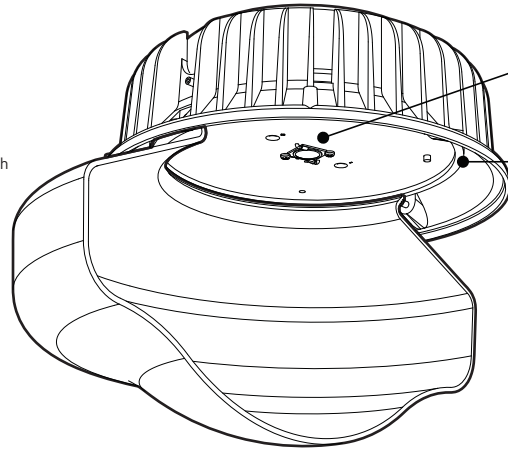


INDUSTRIAL CHIC
Works in a wide range of environments (bars, hotels, lofts, indoor, outdoor,...)

MOUNTING OPTIONS
Rigid stem / aircraft cable, or surface.

KEEPING THINGS COOL
Precisely calculated, air exposed heat sink, sturdy die cast aluminum, black anodised finish.

ROTMOLDED SHADE
Perfectly diffusing MDPE shade
Vandal and impact resistant
Recyclable plastic



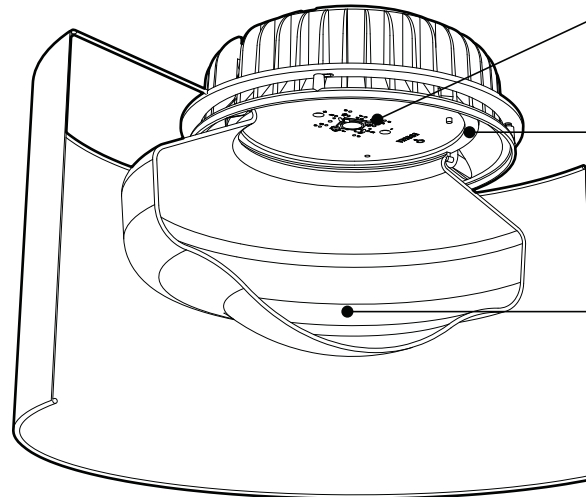
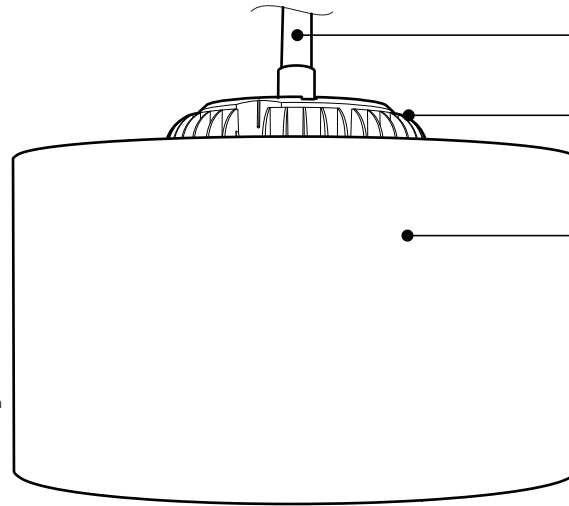
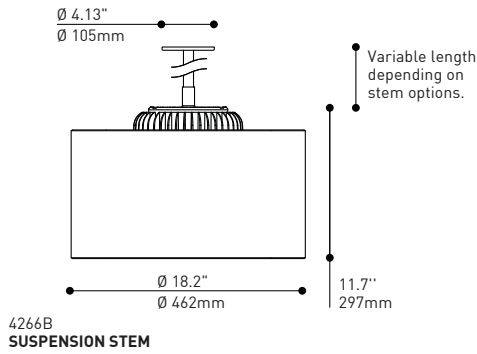
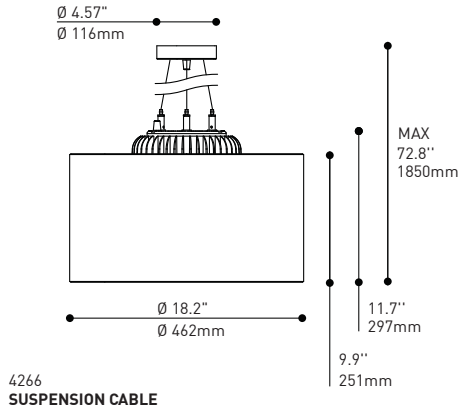
HIGH OUTPUT FOR GENERAL ILLUMINATION
Center mounted COB LED technology
As much as 2400 lumens for only 26 W
Color temperatures: 3000 / 4000 K

WEATHERPROOF
Self-adhesive gaskets
Die-cut silicone sponge
Mechanically compressed
Fully sealed wet location rated (CSA)

DESIGNED FOR DISASSEMBLY
Easy installation and maintenance
Recyclable materials
Mechanically fastened parts

CHARACTERISTICS 4766 / 4266 / 4266b

| | | |
|--------------------|---|---|
| LIGHT SOURCE | 1 x Cree CXA2520 COB - total ±26 w | 1 x Cree CXA2520 COB - total ±13 w |
| MODULE | UL Recognized | |
| DELIVERED LUMENS | 2250 lm (3000K) - 2400 lm (4000K) | 1170 lm (3000K) - 1250 lm (4000K) |
| CRI | 80 CRI (3000K) - 80 CRI (4000K) | |
| ROHS | Yes | |
| HOUSING | Die-cast aluminum, black anodised (2,5mm thickness) | |
| HEAT SINK | Die-cast aluminum, black anodised (variable thickness) | |
| LIGHT DISTRIBUTION | Direct | |
| OPTICS | Rotomolded MDPE shade (minimum 3,2mm thickness) | |
| GASKETS | Die-cut self-adhesive silicone gasket (minimum 3,2mm thickness) | |
| VOLTAGE | 120V or 277V | |
| DRIVER (DIMMING) | Lightech 700 mA ("Reverse phase dimming") | Lightech 350 mA ("Reverse phase dimming") |
| LM-79 | Available | In process |
| WARRANTY | 5 years | |



OUTDOOR LOUNGY TERRACE NOT INCLUDED
Weatherproof / UV resistant Sunbrella® shade around a water tight light engine.

MOUNTING OPTIONS
Rigid stem / aircraft cable, or surface.

KEEPING THINGS COOL
Precisely calculated, air exposed heat sink, sturdy die cast aluminum, black anodised finish.

WEATHERPROOF OUTER SHADE
Marine "Sunbrella" polyester fabric
UV resistant
Easy to clean
Powder coated stainless steel frame

DESIGNED FOR DISASSEMBLY
Easy installation and maintenance
Recyclable materials
Mechanically fastened parts

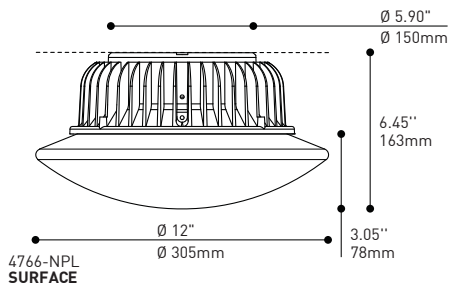
HIGH OUTPUT FOR GENERAL ILLUMINATION
Center mounted COB LED technology
As much as 2400 lumens for only 26 W
Color temperatures: 3000 / 4000 K

WEATHERPROOF
Self-adhesive gaskets
Die-cut silicone sponge
Mechanically compressed
Fully sealed
Wet location rated (CSA to UL standards)

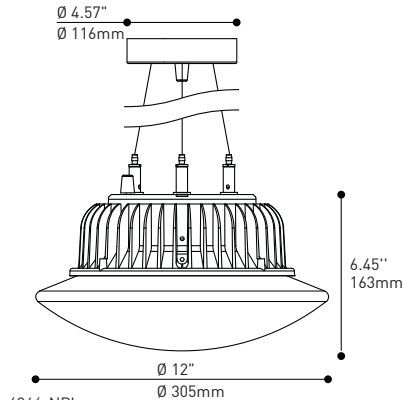
ROTOMOLDED INNER SHADE
Perfectly diffusing MDPE shade
Vandal and impact resistant
Recyclable plastic

CHARACTERISTICS 4266 / 4266b

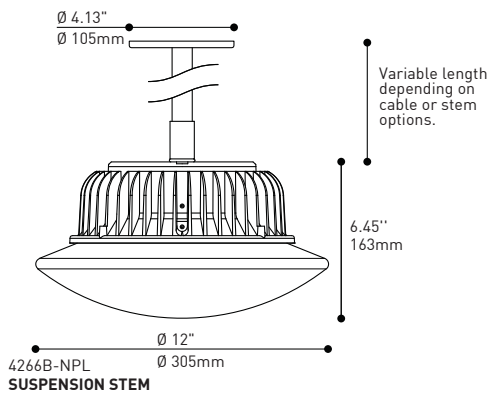
| | | |
|--------------------|--|---|
| LIGHT SOURCE | 1 x Cree CXA2520 COB - total ±26 w | 1 x Cree CXA2520 COB - total ±13 w |
| MODULE | UL Recognized | |
| DELIVERED LUMENS | 2250 lm (3000K) - 2400 lm (4000K) | 1170 lm (3000K) - 1250 lm (4000K) |
| CRI | 80 CRI (3000K) - 80 CRI (4000K) | |
| ROHS | Yes | |
| HOUSING | Die-cast aluminum, black anodised (2,5mm thickness) | |
| HEAT SINK | Die-cast aluminum, black anodised (variable thickness) | |
| LIGHT DISTRIBUTION | Direct | |
| OPTICS | Rotomolded MDPE shade (minimum 3,2mm thickness), Sunbrella® on powder coated stainless steel frame | |
| GASKETS | Die-cut self-adhesive silicone gasket (minimum 3,2mm thickness) | |
| VOLTAGE | 120V or 277V | |
| DRIVER (DIMMING) | Lightech 700 mA ("Reverse Phase Dimming") | Lightech 350 mA ("Reverse Phase Dimming") |
| LM-79 | Available | In process |
| WARRANTY | 5 years | |



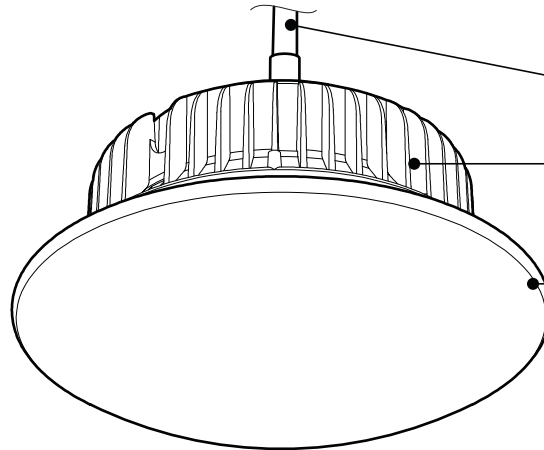
4766-NPL
SURFACE



4266-NPL
SUSPENSION CABLE



4266B-NPL
SUSPENSION STEM



INDUSTRIAL SLEEK

Works in a wide range of environments (bars, hotels, lofts, indoor, outdoor,...)

MOUNTING OPTIONS

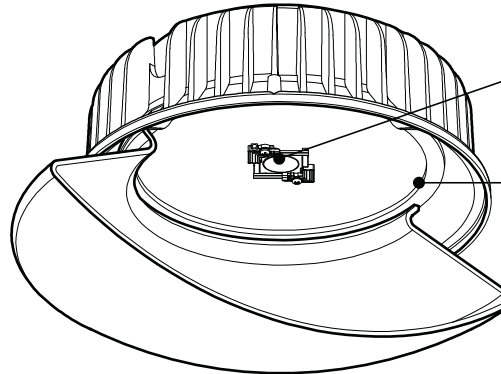
Rigid stem / aircraft cable, or surface.

KEEPING THINGS COOL

Precisely calculated, air exposed heat sink, sturdy die cast aluminum, black anodised finish.

ROTMOLDED SHADE

Perfectly diffusing MDPE shade
Vandal and impact resistant
Recyclable plastic



HIGH OUTPUT FOR GENERAL ILLUMINATION

Center mounted COB LED technology
As much as 2400 lumens for only 26 W
Color temperatures: 3000 / 4000 K

WEATHERPROOF

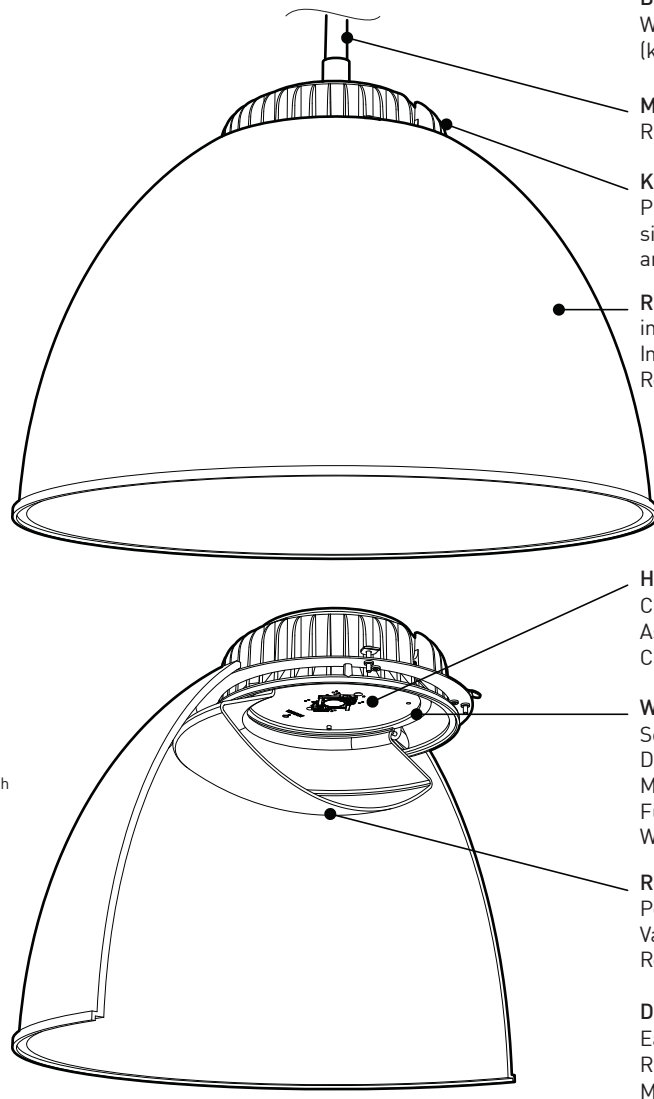
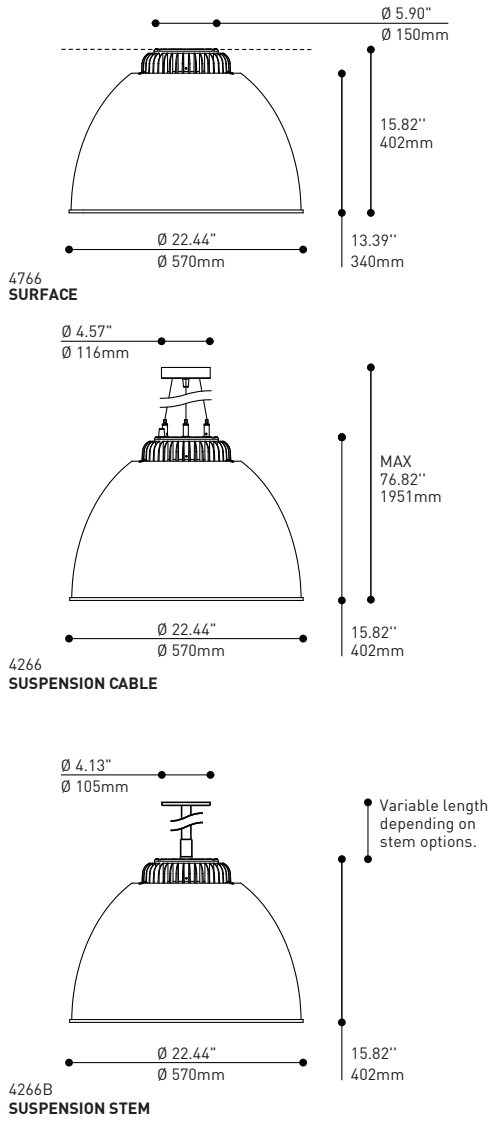
Self-adhesive gaskets
Die-cut silicone sponge
Mechanically compressed
Fully sealed, UL wet location rated (CSA)

DESIGNED FOR DISASSEMBLY

Easy installation and maintenance
Recyclable materials
Mechanically fastened parts

CHARACTERISTICS 4766-NPL / 4266-NPL / 4266B-NPL

| | | |
|--------------------|---|---|
| LIGHT SOURCE | 1 x Cree CXA2520 COB - total ±26 w | 1 x Cree CXA2520 COB - total ±13 w |
| MODULE | UL Recognized | |
| DELIVERED LUMENS | 2250 lm (3000K) - 2400 lm (4000K) | 1170 lm (3000K) - 1250 lm (4000K) |
| CRI | 80 CRI (3000K) - 80 CRI (4000K) | |
| ROHS | Yes | |
| HOUSING | Die-cast aluminum, black anodised (2,5mm thickness) | |
| HEAT SINK | Die-cast aluminum, black anodised (variable thickness) | |
| LIGHT DISTRIBUTION | Direct | |
| OPTICS | Rotomolded MDPE shade (minimum 3,2mm thickness) | |
| GASKETS | Die-cut self-adhesive silicone gasket (minimum 3,2mm thickness) | |
| VOLTAGE | 120V or 277V | |
| DRIVER (DIMMING) | Lightech 700 mA ("Reverse Phase Dimming") | Lightech 350 mA ("Reverse Phase Dimming") |
| LM-79 | Available | In process |
| WARRANTY | 5 years | |



BOLD YET SOPHISTICATED
 Works in a wide range of environments (kitchens, retail stores, indoor, outdoor,...)

MOUNTING OPTIONS
 Rigid stem / aircraft cable, or surface.

KEEPING THINGS COOL
 Precisely calculated, air exposed heat sink, sturdy die cast aluminum, black anodised finish.

REFLEXOR OUTER SHADE
 injection molded prismatic PMMA shade
 Impact resistant
 Recyclable plastic

HIGH OUTPUT FOR GENERAL ILLUMINATION
 Center mounted COB LED technology
 As much as 2400 lumens for only 26 W
 Color temperatures: 3000 / 4000 K

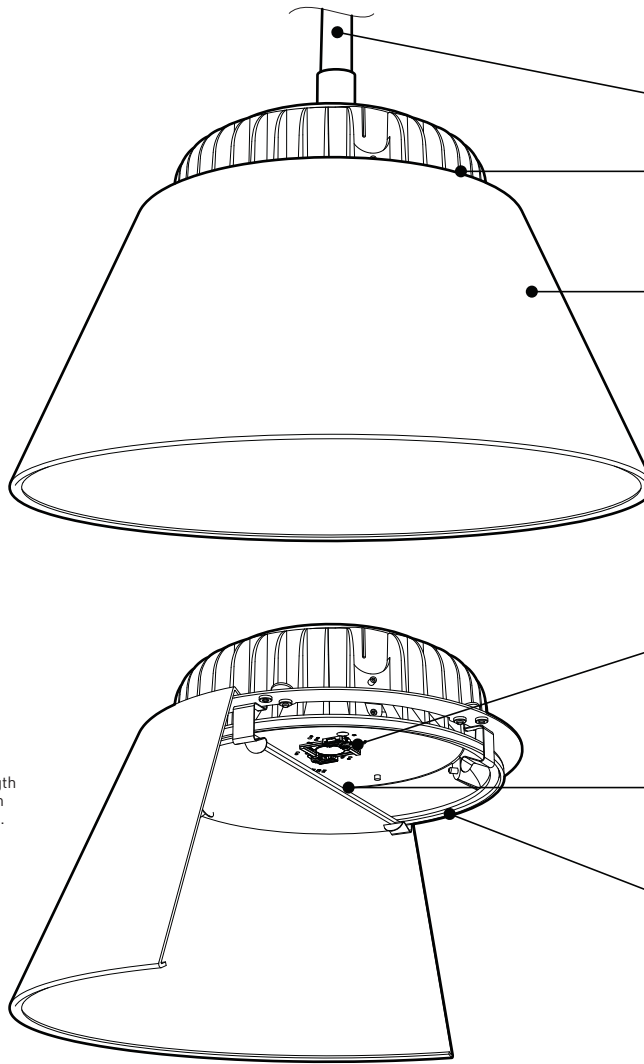
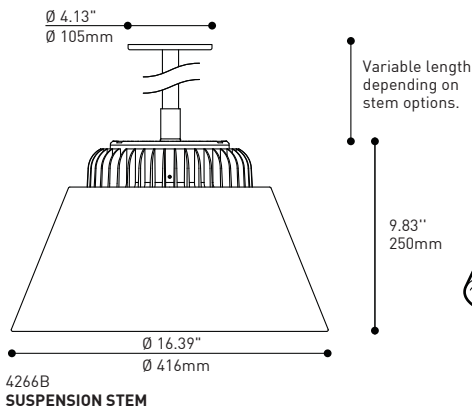
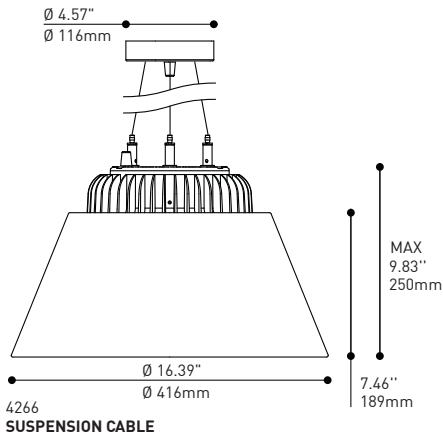
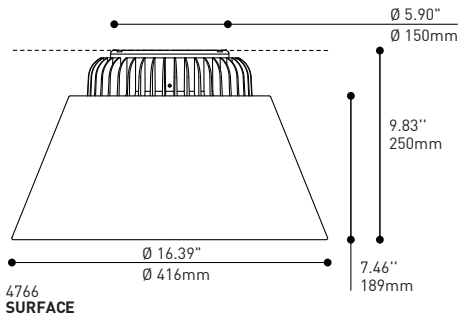
WEATHERPROOF
 Self-adhesive gaskets
 Die-cut silicone sponge
 Mechanically compressed
 Fully sealed
 Wet location rated (CSA to UL standards)

ROTMOLDED INNER SHADE
 Perfectly diffusing MDPE shade
 Vandal and impact resistant
 Recyclable plastic

DESIGNED FOR DISASSEMBLY
 Easy installation and maintenance
 Recyclable materials
 Mechanically fastened parts

CHARACTERISTICS 4766 / 4266 / 4266b

| | | |
|--------------------|--|---|
| LIGHT SOURCE | 1 x Cree CXA2520 COB - total ± 26 w | 1 x Cree CXA2520 COB - total ± 13 w |
| MODULE | UL Recognized | |
| DELIVERED LUMENS | 2250 lm (3000K) - 2400 lm (4000K) | 1170 lm (3000K) - 1250 lm (4000K) |
| CRI | 80 CRI (3000K) - 80 CRI (4000K) | |
| ROHS | Yes | |
| HOUSING | Die-cast aluminum, black anodised (2,5mm thickness) | |
| HEAT SINK | Die-cast aluminum, black anodised (variable thickness) | |
| LIGHT DISTRIBUTION | Direct | |
| OPTICS | Rotomolded MDPE shade (minimum 3,2mm thickness), injection-molded clear PMMA parabolic reflexor shade. | |
| GASKETS | Die-cut self-adhesive silicone gasket (minimum 3,2mm thickness) | |
| VOLTAGE | 120V or 277V | |
| DRIVER (DIMMING) | Lightech 700 mA ("Reverse Phase Dimming") | Lightech 350 mA ("Reverse Phase Dimming") |
| LM-79 | Available | In process |
| WARRANTY | 5 years | |



INDUSTRIAL CHIC
Works in a wide range of environments (bars, hotels, lofts, indoor, outdoor,...)

MOUNTING OPTIONS
Rigid stem / aircraft cable, or surface.

KEEPING THINGS COOL
Precisely calculated, air exposed heat sink, sturdy die cast aluminum, black anodised finish.

SPUN ALUMINUM SHADE
For glare control
Durable weatherproof powder coat finish

DESIGNED FOR DISASSEMBLY
Easy installation and maintenance
Recyclable materials
Mechanically fastened parts

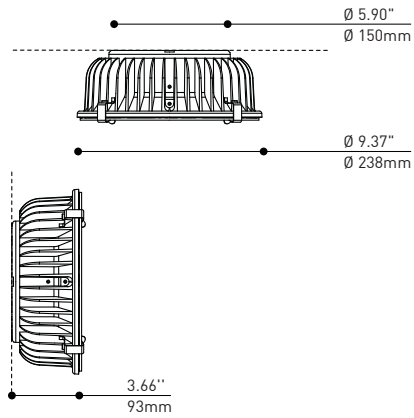
HIGH OUTPUT FOR GENERAL ILLUMINATION
Center mounted COB LED technology
As much as 2400 lumens for only 26 W
Color temperatures: 3000 / 4000 K

FLAT OPTICS
Compound lens structured around layers of diffusing and deglaring CDP PMMA.

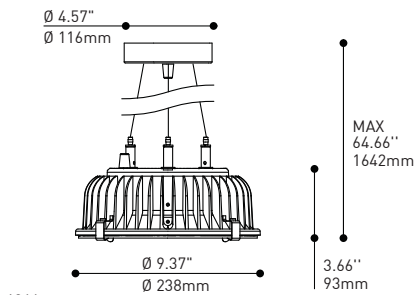
WEATHERPROOF
Self-adhesive gaskets
Die-cut silicone sponge
Mechanically compressed
Fully sealed
Wet location rated (CSA to UL standards)

CHARACTERISTICS 4766 / 4266 / 4266b

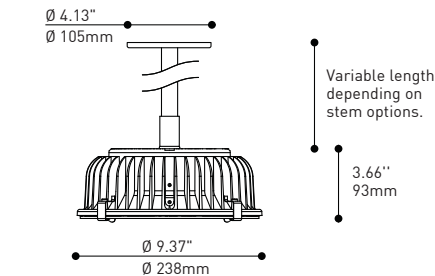
| | | |
|--------------------|---|---|
| LIGHT SOURCE | 1 x Cree CXA2520 COB - total ±26 w | 1 x Cree CXA2520 COB - total ±13 w |
| MODULE | UL Recognized | |
| DELIVERED LUMENS | 2250 lm (3000K) - 2400 lm (4000K) | 1170 lm (3000K) - 1250 lm (4000K) |
| CRI | 80 CRI (3000K) - 80 CRI (4000K) | |
| ROHS | Yes | |
| HOUSING | Die-cast aluminum, black anodised (2,5mm thickness) | |
| HEAT SINK | Die-cast aluminum, black anodised (variable thickness) | |
| LIGHT DISTRIBUTION | Direct | |
| OPTICS | Diffusing flat PMMA lens, Deglaring CDP PMMA lens (minimum 3 mm thickness for each layer) | |
| GASKETS | Die-cut self-adhesive silicone gasket (minimum 3,2mm thickness) | |
| VOLTAGE | 120V or 277V | |
| DRIVER (DIMMING) | Lightech 700 mA ("Reverse Phase Dimming") | Lightech 350 mA ("Reverse Phase Dimming") |
| LM-79 | Available | In process |
| WARRANTY | 5 years | |



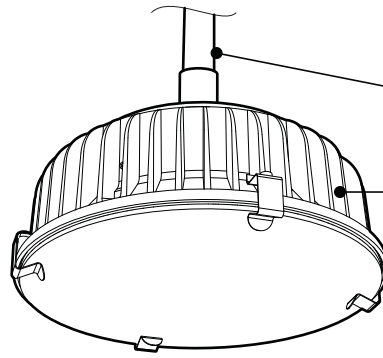
4766
SURFACE



4266
SUSPENSION CABLE



4266B
SUSPENSION STEM



INDUSTRIAL CHIC

Works in a wide range of environments (bars, hotels, lofts, indoor, outdoor,...)

MOUNTING OPTIONS

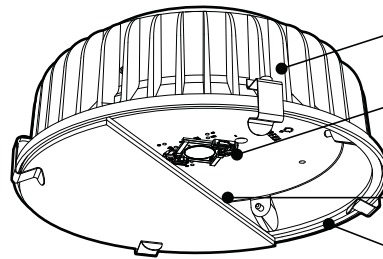
Rigid stem / aircraft cable, or surface.

KEEPING THINGS COOL

Precisely calculated, air exposed heat sink, sturdy die cast aluminum, black anodised finish.

DESIGNED FOR DISASSEMBLY

Easy installation and maintenance
Recyclable materials
Mechanically fastened parts



STAINLESS STEEL SPRING CLIPS

Easy access inside light chamber, if need be

HIGH OUTPUT FOR GENERAL ILLUMINATION

Center mounted COB LED technology
As much as 2400 lumens for only 26 W
Color temperatures: 3000 / 4000 K

FLAT OPTICS

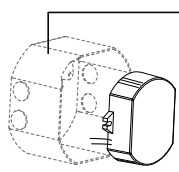
Compound lens structured around layers of diffusing and deglaring CDP PMMA.

WEATHERPROOF

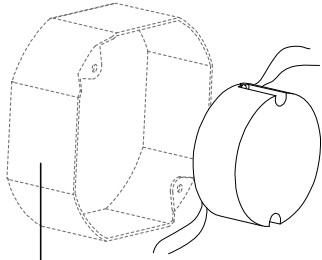
Self-adhesive gaskets
Die-cut silicone sponge
Mechanically compressed
Fully sealed
Wet location rated (CSA to UL standards)

CHARACTERISTICS 4766 / 4266 / 4266b

| | | |
|--------------------|---|---|
| LIGHT SOURCE | 1 x Cree CXA2520 COB - total ±26 w | 1 x Cree CXA2520 COB - total ±13 w |
| MODULE | UL Recognized | |
| DELIVERED LUMENS | 2250 lm (3000K) - 2400 lm (4000K) | 1170 lm (3000K) - 1250 lm (4000K) |
| CRI | 80 CRI (3000K) - 80 CRI (4000K) | |
| ROHS | Yes | |
| HOUSING | Die-cast aluminum, black anodised (2,5mm thickness) | |
| HEAT SINK | Die-cast aluminum, black anodised (variable thickness) | |
| LIGHT DISTRIBUTION | Direct | |
| OPTICS | Diffusing flat PMMA lens, Deglaring CDP PMMA lens (minimum 3 mm thickness for each layer) | |
| GASKETS | Die-cut self-adhesive silicone gasket (minimum 3,2mm thickness) | |
| VOLTAGE | 120V or 277V | |
| DRIVER (DIMMING) | Lightech 700 mA ("Reverse Phase Dimming") | Lightech 350 mA ("Reverse Phase Dimming") |
| LM-79 | Available | In process |
| WARRANTY | 5 years | |

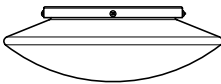


DIMMING VERSION
A deep octagonal box* (2^{1/8}po) is required for dimming version (not supplied).

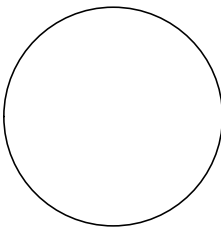


ELECTRICAL BOX
Designed for conventional octagonal connection boxes (not supplied).

4.00"
102 mm



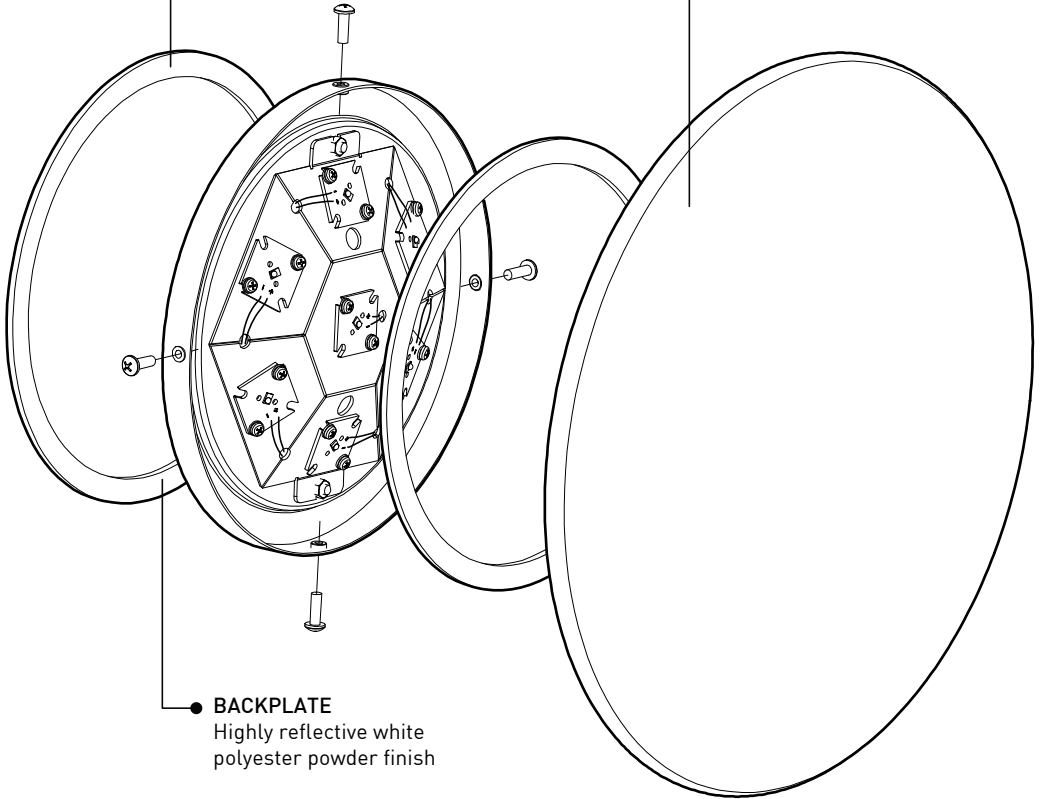
Ø 12"
Ø 305mm



J-BOX
6.00"
152 mm

WEATHERPROOF
-Self-adhesive gaskets
-Die-cut silicone sponge
-Mechanically compressed
-Fully sealed, wet location rated (CSA)

ROTOMOLDED SHADE
-One part translucent white roto-molded MDPE, recyclable plastic
-Extremely durable and resists temperature variation, UV stable
-Vandal and impact resistant



BACKPLATE
Highly reflective white polyester powder finish

SPECIFICATIONS

7W LED

14W LED

| | | |
|--------------------|---|--|
| LIGHT SOURCE | 7 x LUXEON Rebel PLUS LED, 7 Watts | 7 x LUXEON Rebel PLUS LED, 14 Watts |
| MODULE | UL Recognized | |
| LUMENS (ESTIMATED) | 524 lm (3000K) / 568 lm (4000K) | 914 lm (3000K) / 993 lm (4000K) |
| CRI | 80 CRI (3000K) - 80 CRI (4000K) | |
| CCT | 3-step MacAdam Ellipse binning | |
| VOLTAGE | 120V | 120V |
| DRIVER | Constant Current driver 350mA, UL Recognized | Constant Current driver 700mA, UL Recognized |
| DIMMING | N / A | Phase Dimming |
| LM-79 | In process | In process |
| GASKET | Die-cut self-adhesive silicone gasket (minimum 3,2mm thickness) | |
| STRUCTURE | Steel with white reflective paint | |
| HEAT MANAGEMENT | Heatsink fully integrated with light engine | |
| WARRANTY | 5 years | |

*RECOMMENDED IBERVILLE MODELS : BC 54171-K, BC 54171-L, BC 54171-LA

See you outside.

