

# MINI SQUARE SILENE 4157-XLH

PROJECT PROJET

SPEC TYPE

NOTES



## OVERALL HEIGHT HAUTEUR HORS TOUT

| LIGHT SOURCE | HAL TRACK 1 CIRCUIT | LED TRACK 1 CIRCUIT | HAL-LED | LED DIM | CFL    | CFL DIM |
|--------------|---------------------|---------------------|---------|---------|--------|---------|
| MOUNTING     | 2734                | 2734F               | 2431E   | 2436G   | 2431G  | 2431J   |
| STEM         | 47.35"              | 48.20"              | 46.35"  | 46.85"  | 47.10" | 47.60"  |

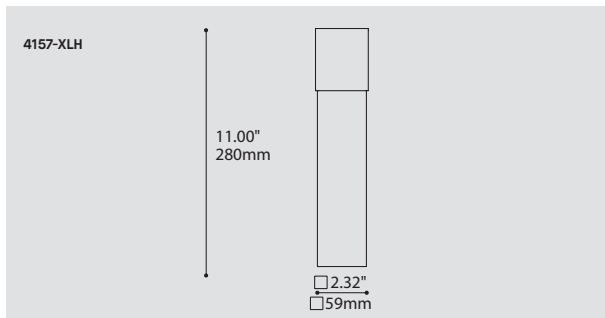
## MOUNTING OPTIONS OPTIONS DE MONTAGE

| 2734          | 2734F         | 2431E                 | 2436G                 | 2431G                 | 2431J                 |
|---------------|---------------|-----------------------|-----------------------|-----------------------|-----------------------|
| 3.85" x 2.03" | 7.25" x 1.70" | 5.00" x 5.00" x 1.00" | 6.25" x 6.25" x 1.50" | 5.25" x 5.25" x 1.75" | 5.75" x 5.75" x 2.25" |
| 98 x 52mm     | 37 x 35mm     | 127 x 127 x 25mm      | 159 x 159 x 38mm      | 133 x 133 x 44mm      | 146 x 146 x 57mm      |

\* OVERALL HEIGHT DOES NOT INCLUDE TRACK THICKNESS

## STEM OR CABLE OPTIONS OPTIONS DE TIGE OU CABLE

|                          |  |
|--------------------------|--|
| STEM<br>STD 36"<br>914mm |  |
|--------------------------|--|



## ORDERING SPECIFICATION SPÉCIFICATION DE COMMANDE

CODE

MODEL MODÈLE 4157-XLH

4157-XLH MINI SQUARE SILENE

### LIGHT SOURCE SOURCE LUMINEUSE

| (WATTAGE, LAMP TYPE, LAMP FORM, BASE TYPE, OTHER INFO) |   |
|--|---|
| CF.D.13*   | 13W, CFL, DOUBLE TWIN TUBE, G24Q1 BASE                |
| CF.D.18*   | 18W, CFL, DOUBLE TWIN TUBE, G24Q2 BASE                |
| CF.D.26*   | 26W, CFL, DOUBLE TWIN TUBE, G24Q3 BASE                |
| CF.S.13*   | 13W, CFL, TWIN TUBE, GX23 BASE (MAGNETIC) (120V ONLY) |
| BIPIN.50   | 50W, HAL, BIPIN, GY6.35 BASE                          |
| LED.4.30   | 4W, LED 3000K (WARM)                                  |
| LED.4.40   | 4W, LED 4000K (NEUTRAL)                               |

\*NOT AVAILABLE WITH A TRACK ADAPTOR

### VOLTAGE VOLTAGE

|        |          |
|--------|----------|
| 120V   | 120 VOLT |
| 277V*  | 277 VOLT |
| 347V** | 347 VOLT |

\*NOT AVAILABLE WITH A TRACK ADAPTOR  
\*\*ONLY AVAILABLE WITH CF.D.13, CF.D.18 AND CF.D.26 (NON-DIMMING BALLAST)

### DIMMING OPTION OPTION DE GRADATION

|  |   |
|--|---|
| AVAILABLE WITH CF.D.18 AND CF.D.26 ONLY, MAXIMUM 36" STEM LENGTH |   |
| DED  | LUTRON ECOSYSTEM ELECTRONIC DIMMING BALLAST (ECOSYSTEM DIGITAL LINK WIRING) |
| DE3  | LUTRON ECOSYSTEM ELECTRONIC DIMMING BALLAST (3-WIRE WIRING)                 |
| FOR LED ONLY   |   |
| DV*  | 0-10V DIMMING (120-277V)  |
| DP   | PHASE DIMMING (120V ONLY)   |

\*NOT AVAILABLE WITH A TRACK ADAPTOR

### EMERGENCY BATTERY BATTERIE D'URGENCE

|   |                          |
|---|--------------------------|
| AVAILABLE WITH CF.D.13, CF.D.18 AND CF.D.26, 120V OR 277V ONLY, NOT AVAILABLE WITH A DIMMING BALLAST, MAXIMUM 60" STEM LENGTH |                          |
| REM <sup>(1)</sup>  | REMOTE EMERGENCY BATTERY |

<sup>(1)</sup> 3981 ACCESSORY IS REQUIRED FOR THIS OPTION

### STEM OR CABLE TIGE OU CABLE

|     |  |
|-----|--|
| S6  | 1/4" (6MM) STEM, FIELD ADJUSTABLE (NOT AVAILABLE WITH CFL LAMPS) |
| S10 | 3/8" (10MM) STEM, NOT FIELD ADJUSTABLE (FOR CFL LAMPS ONLY)      |

### STEM OR CABLE LENGTH LONGUEUR DE TIGE OU CABLE

|    |   |
|----|---|
| S6 | 36" STEM (STD LENGTH)   |
| ** | CUSTOM STEM LENGTH (PLEASE SPECIFY)<br>FOR OVERALL LENGTH PLEASE CONTACT YOUR EUREKA REPRESENTATIVE |

### MOUNTING MONTAGE

|     |   |
|-----|---|
| SQC | SQUARE CANOPY / PAVILLON CARRÉ<br>FOR LED & HAL: 1" CANOPY (2431E)<br>FOR CFL: 1.75" CANOPY (2431G)<br>FOR DIMMING CFL: 2.25" CANOPY (2431J)<br>FOR DIMMING LED: 1.50" CANOPY (2436G) |
| TA1 | TRACK ADAPTOR / ADAPTATEUR DE RAIL<br>1 CIRCUIT<br>HAL 120/12V ADAPTOR (2734)<br>LED DIMMING & NON-DIMMING 120V ADAPTOR (2734F)   |

### MOUNTING OPTION OPTION DE MONTAGE

|     |   |
|-----|---|
| SCA | SLOPE CEILING ADAPTOR / ADAPTATEUR DE PLAFOND EN PENTE (ROTATION: 350°, PIVOT: 90°) |
|-----|---|

### TRACK ADAPTOR FINISH FINI ADAPTATEUR DE RAIL<sup>(4)</sup>

|     |               |
|-----|---------------|
| WH  | WHITE         |
| BLK | BLACK         |
| M G | METALLIC GRAY |

<sup>(4)</sup> FILL IN IF A TRACK ADAPTOR IS SELECTED, OTHERWISE LEAVE EMPTY

### STRUCTURE FINISH FINI STRUCTURE<sup>(5)</sup>

|     |              |
|-----|--------------|
| CHR | CHROME       |
| S C | SATIN CHROME |

<sup>(5)</sup> INCLUDE CANOPY FINISH IF A CANOPY IS SELECTED

### DIFFUSER FINISH FINI DIFFUSEUR

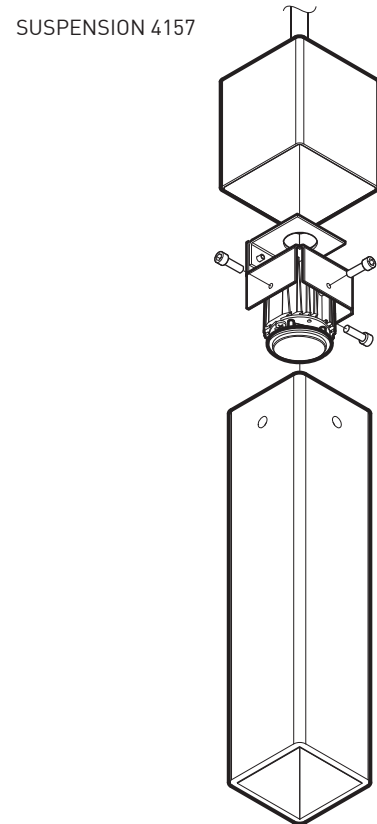
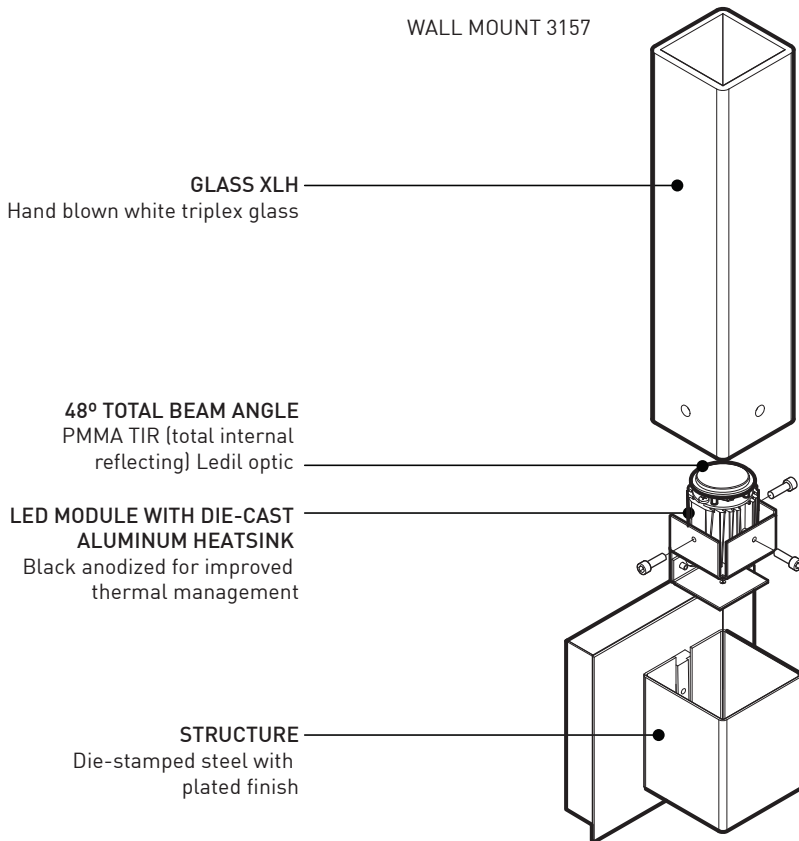
|    |       |    |
|----|-------|----|
| WH | WHITE | WH |
|----|-------|----|

### ACCESSORY ACCESSOIRE

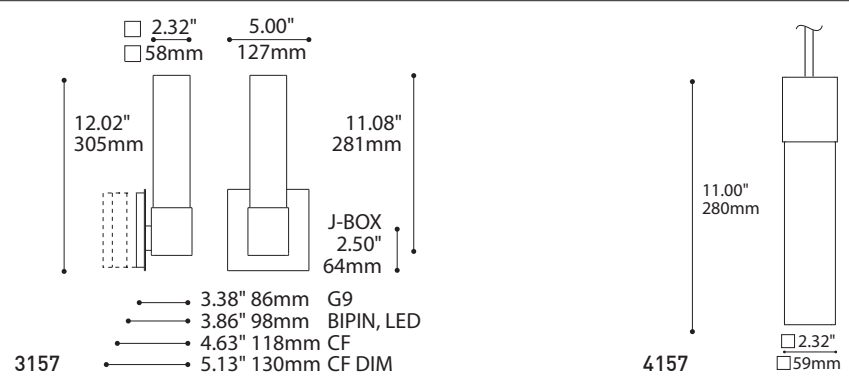
|      |   |
|------|---|
| 3981 | JUNCTION BOX FOR CFL REMOTE EMERGENCY BATTERY |
|------|---|

## PRODUCT CHARACTERISTICS CARACTÉRISTIQUES DU PRODUIT

**BIM** **DIM** **IES** **LED** **REM**

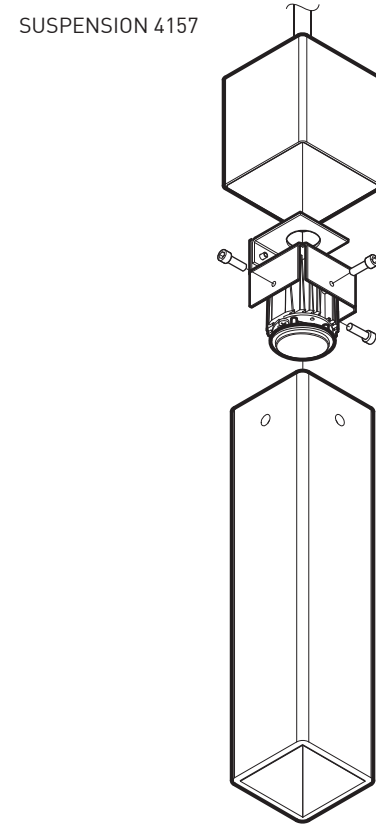
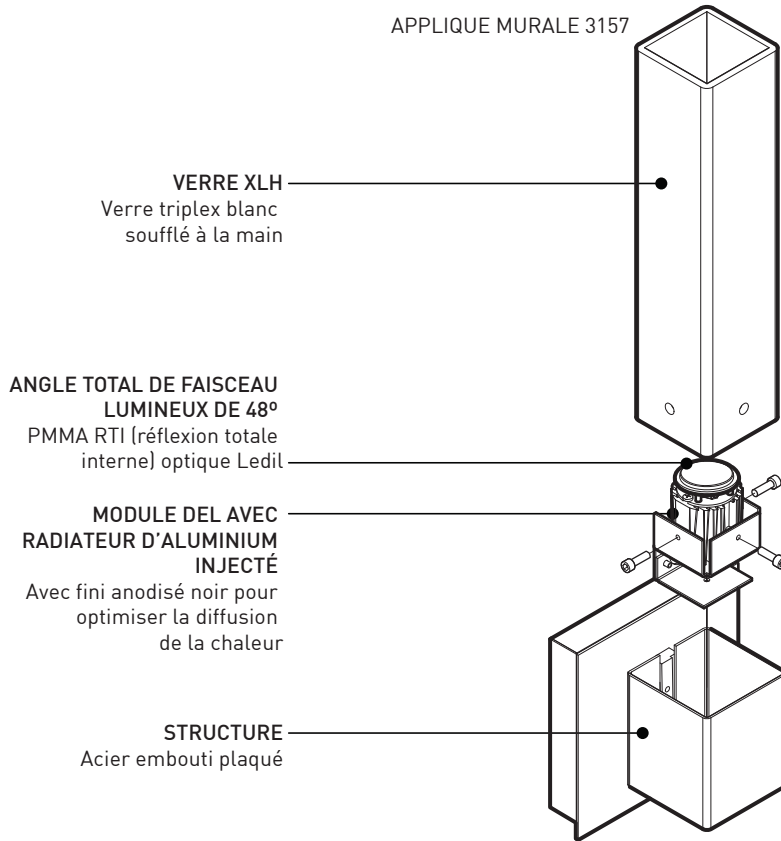


**OTHER LIGHT SOURCES AVAILABLE**  
Fluorescent  
Halogen

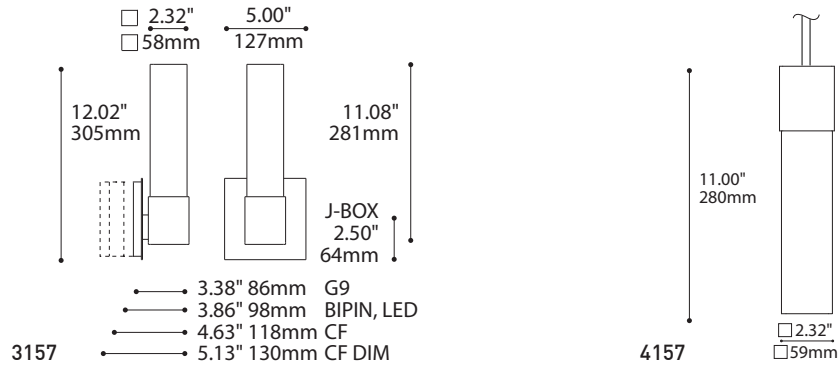


## SPECIFICATIONS

|                    | LED                                       | Fluorescent  | Halogen                            |
|--------------------|---|--|------------------------------------|
| LIGHT SOURCE       | 4 x Luxeon Rebel ES on MCPCB - total ±4 w | CFL 13/18/26 w                                       | Bipin 50w, G9 60 w                 |
| MODULE             | UL recognized - made in USA               | N/A  | N/A                                |
| LUMENS (ESTIMATED) | 376 lm [3000K] - 468 lm [4000K] initial   | 1800 lm  | N/A                                |
| CRI                | 95 CRI (3000K) - 85 CRI (4000K)           | N/A  | N/A                                |
| ROHS               | Compliant                                 |  |                                    |
| VOLTAGE            | 120V ou 277V                              | 120V, 277V or 347V [non-dimming]                     | 120V or 277V                       |
| DRIVER             | Lightech 350 mA                           | Smartmate Advance or equivalent                      | Electronic low voltage transformer |
| DIMMING            | Phase dimming or 0-10V dimming            | Advance Mark 7 or 10, Lutron Ecosystem               | Dimmable                           |
| LM-79              | In process                                |  |                                    |
| WARRANTY           | 5 years (on electronic components)        | 3-5 years (on converter, depending of the converter) |                                    |
| CERTIFICATION      | CSA recognized                            |  |                                    |



**AUTRES SOURCES LUMINEUSES DISPONIBLES**  
Fluorescent  
Halogène



## SPÉCIFICATIONS

|                  | DEL  | Fluorescent  | Halogène                                  |
|------------------|--|--|---|
| SOURCE LUMINEUSE | 4 x Luxeon Rebel ES sur MCPCB - total ±4 w | CFL 13/18/26 w   | Bipin 50w, G9 60 w                        |
| MODULE           | Reconnu par UL - Fabriqué aux États-Unis   | N/A  | N/A                                       |
| LUMENS (ESTIMÉ)  | 376 lm [3000K] - 468 lm [4000K] initial    | 1800 lm  | N/A                                       |
| IRC              | 95 IRC (3000K) - 85 IRC (4000K)            | N/A  | N/A                                       |
| ROHS             | Conforme                                   |  |   |
| VOLTAGE          | 120V ou 277V                               | 120V, 277V ou 347V (sans gradation)                    | 120V ou 277V                              |
| PILOTE           | Lightech 350 mA                            | Smartmate Advance ou équivalent                        | Transformateur électronique à bas voltage |
| DIMMING          | Gradation phase ou Gradation 0-10V         | Advance Mark 7 or 10, Lutron Ecosystem                 | Disponible                                |
| LM-79            | En cours                                   |  |   |
| GARANTIE         | 5 ans (sur les composantes électroniques)  | 3-5 ans (sur le convertisseur, selon le convertisseur) |   |
| CERTIFICATION    | Reconnu par CSA                            |  |   |