

# POINT 2044 / 4044

PROJECT PROJÉT
SPEC TYPE
NOTES



## OVERALL HEIGHT HAUTEUR HORS TOUT

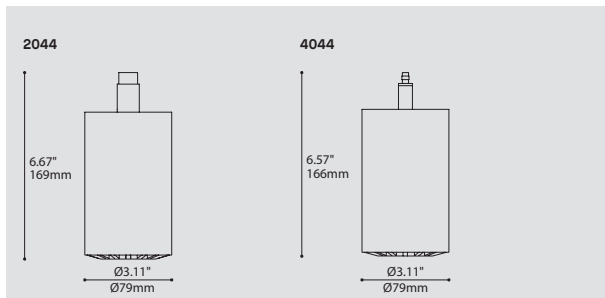
LIGHT SOURCE	LED 8W TRACK 1 CIRCUIT	LED TRACK 1 CIRCUIT	LED	LED DIM -11W & 8W 277V
MOUNTING	2734B	2734F	2401C	2403G
CABLE	66.90"	68.30"	67.10"	68.10"
STEM	42.90"	44.30"	42.10"	43.10"
FOR 2044 ADD 1.85" FOR SWIVEL				

## MOUNTING OPTIONS OPTIONS DE MONTAGE

2734B	2734F	2401C	2403G
1.46" x 1.36" 37 x 35mm	7.25" x 1.70" 37 x 35mm	Ø4.50" x 0.50" Ø114 x 13mm	Ø4.50" x 1.50" Ø114 x 38mm
* OVERALL HEIGHT DOES NOT INCLUDE TRACK THICKNESS			

## STEM OR CABLE OPTIONS OPTIONS DE TIGE OU CABLE

STEM STD 36" 914mm	AC CABLE STD 60" 1523mm
--------------------------	-------------------------------



ORDERING SPECIFICATION	SPÉCIFICATION DE COMMANDE	CODE
<b>MODEL MODÈLE</b>		
2044	POINT (PROJECTOR HEAD)	
4044	POINT (PENDANT)	
<b>LIGHT SOURCE SOURCE LUMINEUSE</b>		
(WATTAGE, LAMP TYPE, OTHER INFO)		
LED.8.30.17	8W, LED 3000K (WARM), 17°	
LED.8.30.48	8W, LED 3000K (WARM), 48°	
LED.8.40.17	8W, LED 4000K (NEUTRAL), 17°	
LED.8.40.48	8W, LED 4000K (NEUTRAL), 48°	
LED.11.30.20	11W, LED 3000K (WARM), 20°	
LED.11.30.40	11W, LED 3000K (WARM), 40°	
LED.11.40.20	11W, LED 4000K (NEUTRAL), 20°	
LED.11.40.40	11W, LED 4000K (NEUTRAL), 40°	
<b>VOLTAGE VOLTAGE</b>		
120V	120 VOLT	
277V*	277 VOLT	
*NOT AVAILABLE WITH A TRACK ADAPTOR		
<b>DIMMING OPTION OPTION DE GRADATION</b>		
DV*	0-10V DIMMING (120-277V)	
DP	PHASE DIMMING (120V ONLY)	
*NOT AVAILABLE WITH A TRACK ADAPTOR		
LED DIMMING DRIVER IS STANDARD FOR 11W. PLEASE SPECIFY YOUR DIMMING TYPE.		
<b>STEM TIGE</b>		
S10	3/8" (10MM) STEM, NOT FIELD ADJUSTABLE	
AC	AIRCRAFT MOUNTING & CLEAR CABLE, FIELD ADJUSTABLE (4044 ONLY)	
-	NO STEM (2044 ONLY)	
<b>STEM LENGTH LONGUEUR DE TIGE</b>		
36	36" STEM (STD LENGTH)	
60	60" AIRCRAFT CABLE (STD LENGTH)	
**	CUSTOM STEM LENGTH (PLEASE SPECIFY)	
**	CUSTOM AIRCRAFT CABLE LENGTH (PLEASE SPECIFY)	
FOR OVERALL LENGTH PLEASE CONTACT YOUR EUREKA REPRESENTATIVE		
<b>MOUNTING MONTAGE</b>		
RC*	ROUND CANOPY / PAVILLON ROND	
	FOR LED 8W 120V NON-DIMMING: 0.5" CANOPY (2401C)	
	FOR DIMMING LED, LED 11W & 8W 277V: 1.50" CANOPY (2403G)	
*CANOPY FINISH ALWAYS CHROME		
TA1	TRACK ADAPTOR / ADAPTEUR DE RAIL	
	1 CIRCUIT	
	LED 120V ADAPTOR (2734B) (FOR LED 8W NON-DIMMING ONLY)	
	LED DIMMING 120V ADAPTOR (2734F)	
<b>MOUNTING OPTION OPTION DE MONTAGE</b>		
SCA*	SLOPE CEILING ADAPTOR / ADAPTEUR DE PLAFOND EN PENTE (ROTATION: 350°, PIVOT: 90°)	
*ONLY AVAILABLE WITH A STEM		
<b>TRACK ADAPTOR FINISH FINI ADAPTEUR DE RAIL<sup>(A)</sup></b>		
WH	WHITE	M G METALLIC GRAY
BLK	BLACK	
<sup>(A)</sup> FILL IN IF A TRACK ADAPTOR IS SELECTED. OTHERWISE LEAVE EMPTY		
<b>STRUCTURE FINISH FINI STRUCTURE</b>		<b>CHR</b>
CHR	CHROME	
<b>CYLINDER FINISH FINI CYLINDRE</b>		
BLKA	BLACK ANODIZED	
SA	SATIN ALUMINUM	
<b>HEATSINK FINISH FINI RADIATEUR</b>		<b>BLKA</b>
BLKA	BLACK ANODIZED	

## PRODUCT CHARACTERISTICS CARACTÉRISTIQUES DU PRODUIT



**DESIGN:** Already popular, we just made the clean and austere Point projector better by offering two different intensities. We have not changed the look or awesome thermal management design, but we have upgraded it to accommodate the new high intensity light engine which provides more than 1000 lumens for only 11 watts.

**CERTIFIED:** c-CSA-us, c-UL-us

# ANATOMY

BIM

DIM

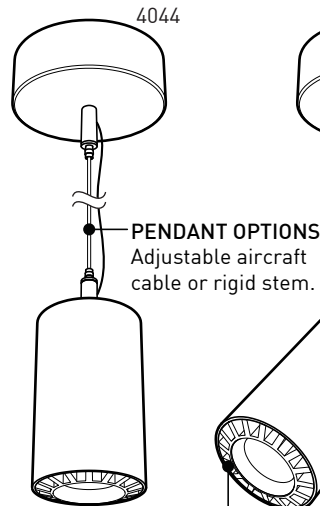
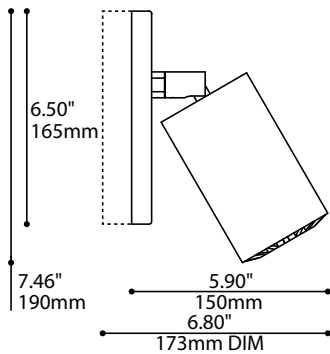
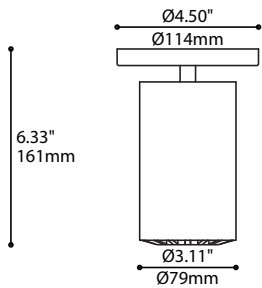
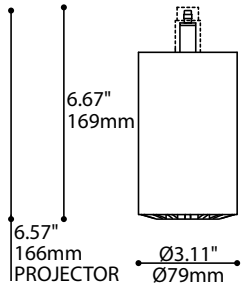
IES

LED

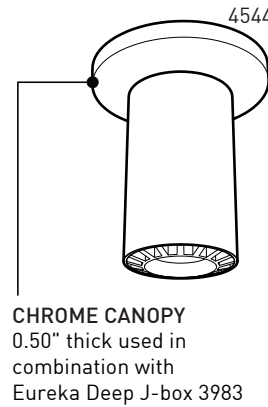
2044  
2044B  
350°

2044  
2044B  
90°

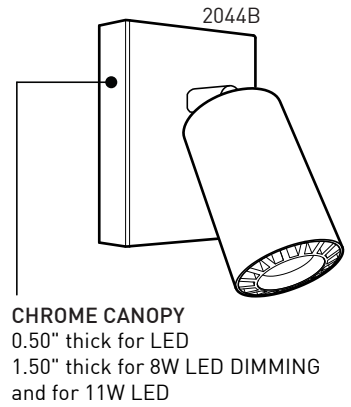
POINT



**PENDANT OPTIONS**  
Adjustable aircraft cable or rigid stem.



**CHROME CANOPY**  
0.50" thick used in combination with Eureka Deep J-box 3983



**CHROME CANOPY**  
0.50" thick for LED  
1.50" thick for 8W LED DIMMING and for 11W LED

**ORIENTATION**  
High performance spring tension swivel adjusts the orientation angle up to 90°, on a Ø10mm stem.

**VISIBLE HEATSINK**  
Cleverly integrated to provide a beautiful front edge detail and better heat dissipation.

**VENTILATED HEATSINK TOP**  
Die-formed steel parts with black polyester powder finish, chimney effect optimizes heat dissipation.

**CLEAN AND MINIMALIST SHAPE**  
CNC machined aluminium housing with beautiful proportions. Available with black or clear satin finish.

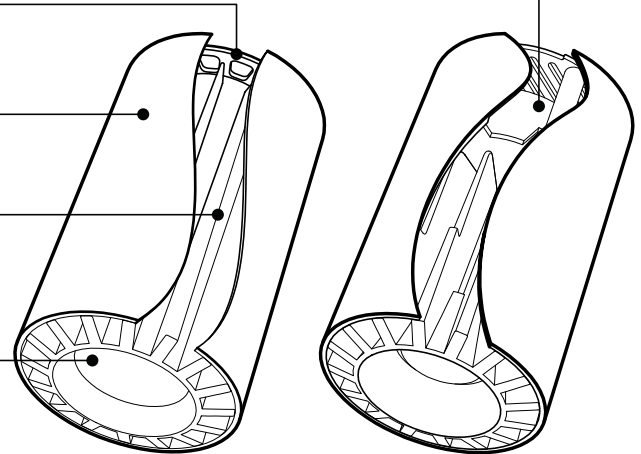
**DIE-CAST ALUMINUM HEATSINK**  
Perfectly designed to cool the powerfull LED lightsource, black satin anodized finish.

**1000 LUMENS LED**  
11W generating +1000lm, available in 3000K (warm white) or 4000K (neutral white).

**OPTIC - 11W VERSION**  
20° or 40° Total Internal Reflecting (TIR).

**OPTIC - 8W VERSION**  
17° or 48° Total Internal Reflecting (TIR).

**HIDDEN DRIVER**  
Designed with smaller heatsink and with integrated LED driver.



11W VERSION

8W VERSION

**INSTALLATION**  
Also available on track mount adaptor.

## SPECIFICATIONS

### 8W LED

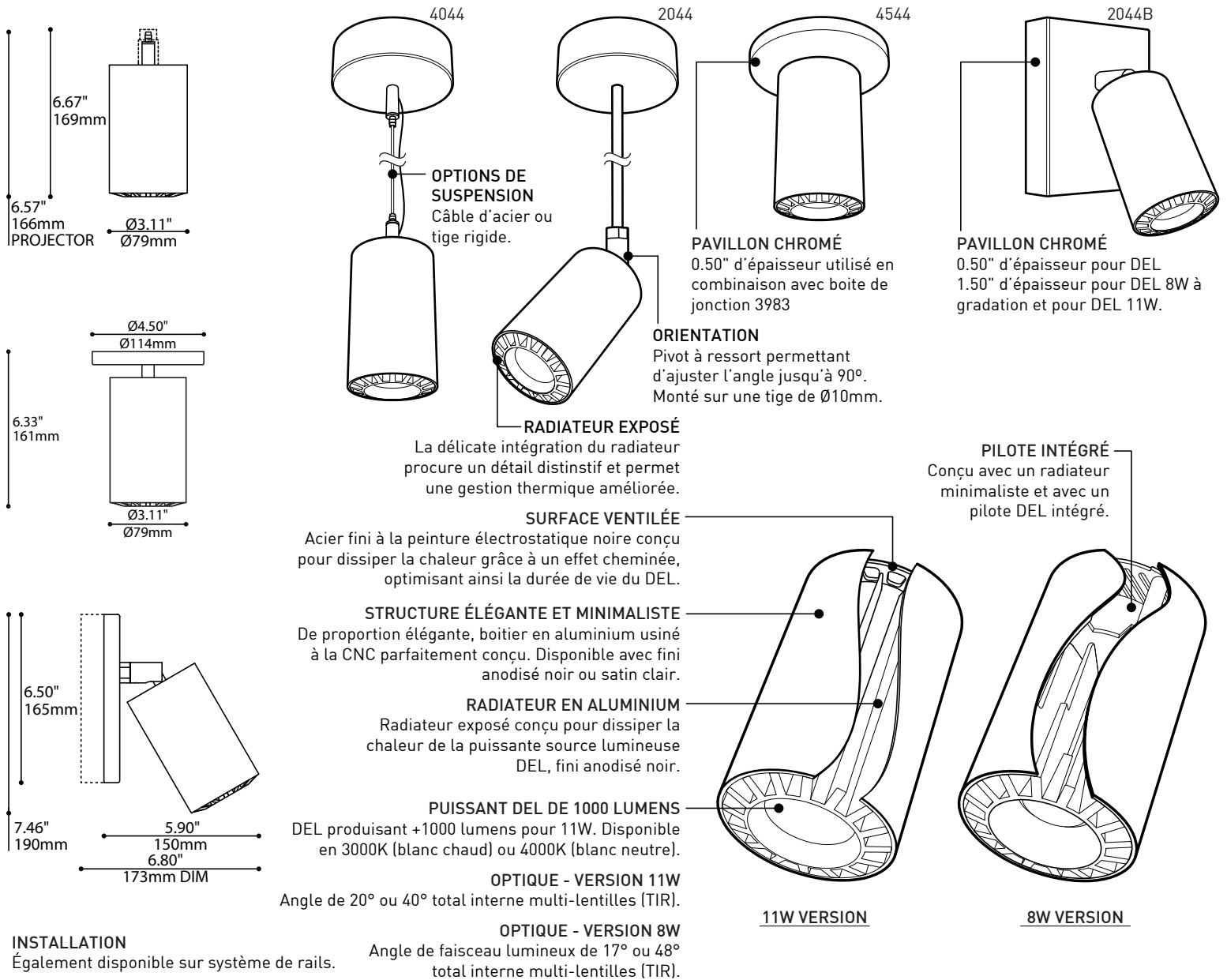
LIGHT SOURCE	4 x NICHIA LED on MCPCB - 8W Total
DELIVERED LUMENS	644 lm (3000K) - 600 lm (4000K)
CRI	80 CRI (3000K) - 80 CRI (4000K)
CCT	3-step MacAdam Ellipse binning
HOUSING	Machined aluminium tube (0.080" nominal thickness)
HEATSINK	Black anodized aluminum
LIGHT DISTRIBUTION	Directional projector (2044/2044B) or Direct (4044/4544)
OPTICS	LEDIL TIR - 17° & 48° total beam angle
VOLTAGE	120V or 277V
DRIVER	Constant Current driver 700mA, UL Recognized
DIMMING	Phase Dimming (DP) and 0-10V Dimming (DV)
LM-79	Available
WARRANTY	5 years

### 11W LED

LIGHT SOURCE	1 x COB LED - 11W Total
DELIVERED LUMENS	1000 lm (3000K & 4000K) / 1300 initial lumens
CRI	80 CRI (3000K) - 80 CRI (4000K)
CCT	3-step MacAdam Ellipse binning
HOUSING	Machined aluminium cylinder
HEATSINK	Black anodized aluminum
LIGHT DISTRIBUTION	Directional projector (2044/2044B) or Direct (4044/4544)
OPTICS	Total Internal Reflection (TIR) - 20° & 40° total beam angle
VOLTAGE	120V (DP) and 120-277V (DV)
DRIVER	Constant Current driver 350mA, UL Recognized
DIMMING	Phase Dimming (DP) and 0-10V Dimming (DV)
LM-79	dd
WARRANTY	5 years



2044 4044  
2044B 4544



## SPECIFICATIONS

### SOURCE LUMINEUSE

### LUMENS RÉELS

### IRC

### CCT

### BOÎTIER

### RADIATEUR

### DISTRIBUTION LUMINEUSE

### OPTIQUES

### VOLTAGE

### PILOTE

### GRADATION

### LM-79

### GARANTIE

## DEL 8W

4 x NICHIA LED sur MCPCB - 8W Total

644 lm (3000K) - 600 lm (4000K)

80 CRI (3000K) - 80 CRI (4000K)

3-step MacAdam Ellipse binning

Tube d'aluminium usiné (épaisseur 2mm)

Aluminium anodisé noir

Projecteur directionnel (2044/2044B) ou Direct (4044/4544)

Total Internal Reflection (TIR) of 17° & 48° beam angle

120V ou 277V

Courant Constant 700mA, Reconnu UL

DP "phase dimming" et DV "0-10V dimming"

Disponible

5 ans

## DEL 11W

1 DEL "COB" - 11W Total

1000 lm (3000K & 4000K) / 1300 initial lumens

80 CRI (3000K) - 80 CRI (4000K)

3-step MacAdam Ellipse binning

Cylindre en aluminium usiné

Aluminium anodisé noir

Projecteur directionnel (2044/2044B) ou Direct (4044/4544)

Angle de faisceau de 20° & 40° Réflexion totale interne (TIR)

120V (DP) et 120-277V (DV)

Courant Constant 350mA, Reconnu UL

DP "phase dimming" et DV "0-10V dimming"

En cours

5 years