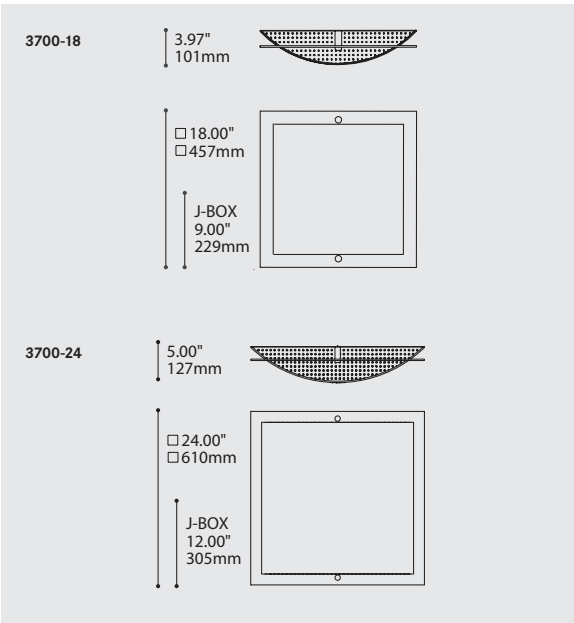


# TAMBOR 3700

PROJECT PROJET

SPEC TYPE

NOTES



## ORDERING SPECIFICATION SPÉCIFICATION DE COMMANDE

CODE

### MODEL MODÈLE

3700-18 TAMBOR 18"  
3700-24 TAMBOR 24"

### LIGHT SOURCE SOURCE LUMINEUSE

(WATTAGE, LAMP TYPE, LAMP FORM, BASE TYPE, OTHER INFO)

3700-18  
2XCFL.24  24W X 2, CFL, LONG TWIN TUBE T5, 2G11 BASE

3700-24  
2XCFL.36  36W X 2, CFL, LONG TWIN TUBE T5, 2G11 BASE

### VOLTAGE VOLTAGE

120V 120 VOLT  
277V 277 VOLT  
347V\* 347 VOLT

\*NOT AVAILABLE WITH A DIMMING BALLAST OR EMERGENCY BATTERY

### DIMMING OPTION OPTION DE GRADATION

AVAILABLE WITH 2XCFL.36

DM1 ADVANCE MARK 10 ELECTRONIC DIMMING BALLAST\*  
DM7 ADVANCE MARK 7 ELECTRONIC DIMMING BALLAST\*  
D3D ELECTRONIC DIMMING BALLAST LUTRON HI-LUME 3D (ECOSYSTEM DIGITAL LINK WIRING)\*  
D33 ELECTRONIC DIMMING BALLAST LUTRON HI-LUME 3D (3-WIRE WIRING)\*  
\*SEE REFERENCE SECTION FOR OPTIONS PAGE 524

### EMERGENCY BATTERY BATTERIE D'URGENCE

NOT AVAILABLE WITH DIMMING BALLAST, 120V OR 277V ONLY

EM EMERGENCY BATTERY\*

\*SEE REFERENCE SECTION FOR EMERGENCY BATTERY DETAILS PAGE 530

### STRUCTURE FINISH FINI STRUCTURE

CHR CHROME

CHR

### DIFFUSER FINISH FINI DIFFUSEUR

WH WHITE

WH

## PRODUCT CHARACTERISTICS CARACTÉRISTIQUES DU PRODUIT

- Design:** Like a sail, the arcing acrylic shade is framed in chrome and has perforated side panels
- Light Source:** Wide range of energy saving and dimmable fluorescent light sources and EM are available
- Structure:** Die-stamped steel structure with highly reflective and diffused plated finish
- Diffuser:** Translucent white acrylic
- Certified:** c-UL-us
- Conception:** Tel une voile, l'arc en acrylique est soutenu par un cadre chromé et des panneaux latéraux perforés
- Source lumineuse:** Plusieurs fluorescents à faible consommation; ballasts à gradation et d'urgence disponibles
- Structure:** Structure d'acier embouti avec fini blanc très réfléchissant et diffusant
- Diffuseur:** Acrylique blanc translucide
- Certifié:** c-UL-us

ADA

BIM

IES

EM

3700-18

## FAMILY FAMILLE



4400, PAGE 390



3700, PAGE 274