



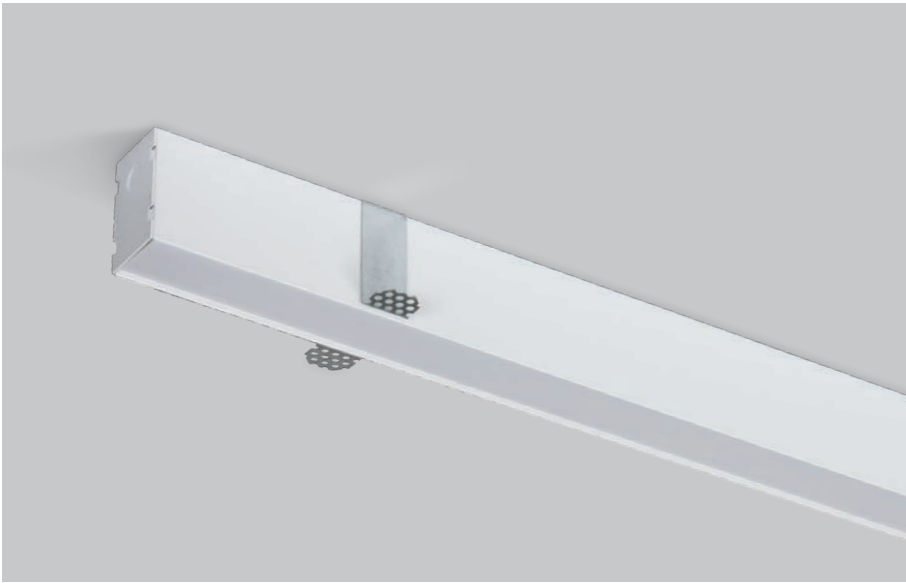
LINE



LINE

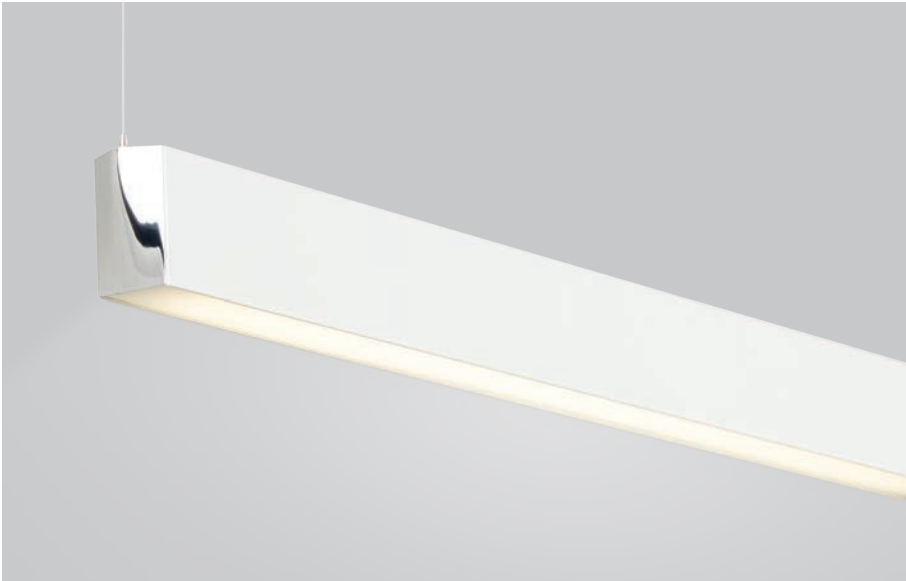
Pendant or recessed, linear and compact, organic chromed endcaps
6 models, 2 lengths, direct or indirect light distribution
High performance fluorescent T5 or LED 18W sources available

Recessed 1080x



Category:
People's Choice: Best Lighting Design

Ceiling Suspended 7480x



LINE

Recessed

1080x

Hole Cut Dimensions

1080x-48

2.5" x 46.5"
64mm x 1181mm

HOUSING

Slim and modern rectangular aluminium profile
Extruded lens is made from a special highly transmissive blend of frosted acrylic
LED model features an extra thin layer of a specialized microtextured diffuser

REFLECTORS

High efficiency specular aluminium reflector (74801), system performance as high as 78%
High value white painted steel reflectors (74800, 74802)

PLASTER COVER

Cardboard insert protects lens while plastering and sanding

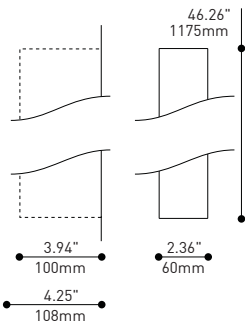
LIGHT SOURCES

Energy efficient light sources available: T5, T5HO, LED

MOUNTING BRACKETS

Galvanized steel brackets with perforated feet for good plaster filling
Easy "fire and forget" installation through any drywall thicknesses
Bracket mounting allow clean uninstallation, if ever necessary

1080X-48



SPECIFICATIONS

	10800 / 10801	10802
LIGHT SOURCE	1 x T5 / T5HO	36 x 0.5w Seoul Semi LEDs (3000K/4000K)
LIGHT DISTRIBUTION	Direct	
HOUSING	Extruded white powder coated aluminium (0.075" nominal)	
ENDCAPS	Die-formed white powder coated 14 Ga steel (0.075" nominal)	
INNER BRACKETS	Die-formed sheet steel (20 Ga to 14 Ga)	
REFLECTOR	Die-formed white powder coated 20 Ga steel / 24 Ga specular aluminium	White powder coated 20 Ga steel
OPTICS	Extruded frosted PMMA 0.080"	Extruded PMMA 0.080" + microdiffusing layer (0.020")
VOLTAGE	120V-277V, 347V	120V-277V
BALLAST	Advance Centium or equivalent	Lightech 12V 25W or equivalent
DIMMING	Advance Mark 7 (T5), Mark 10 (T5HO), or Lutron	Advance Xitanium 60W 12V 0-10V controller
EMERGENCY	IOTA ISL-54 (1 Lamp 28w/54w)	N/A
WARRANTY	1 year	5 years

BIM

DIM

EM

IES

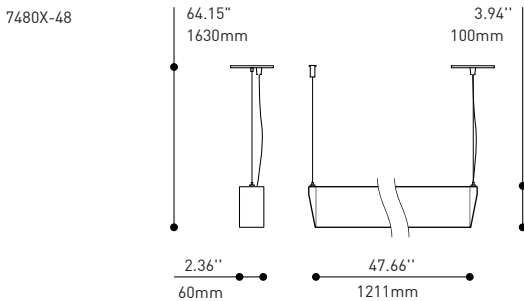
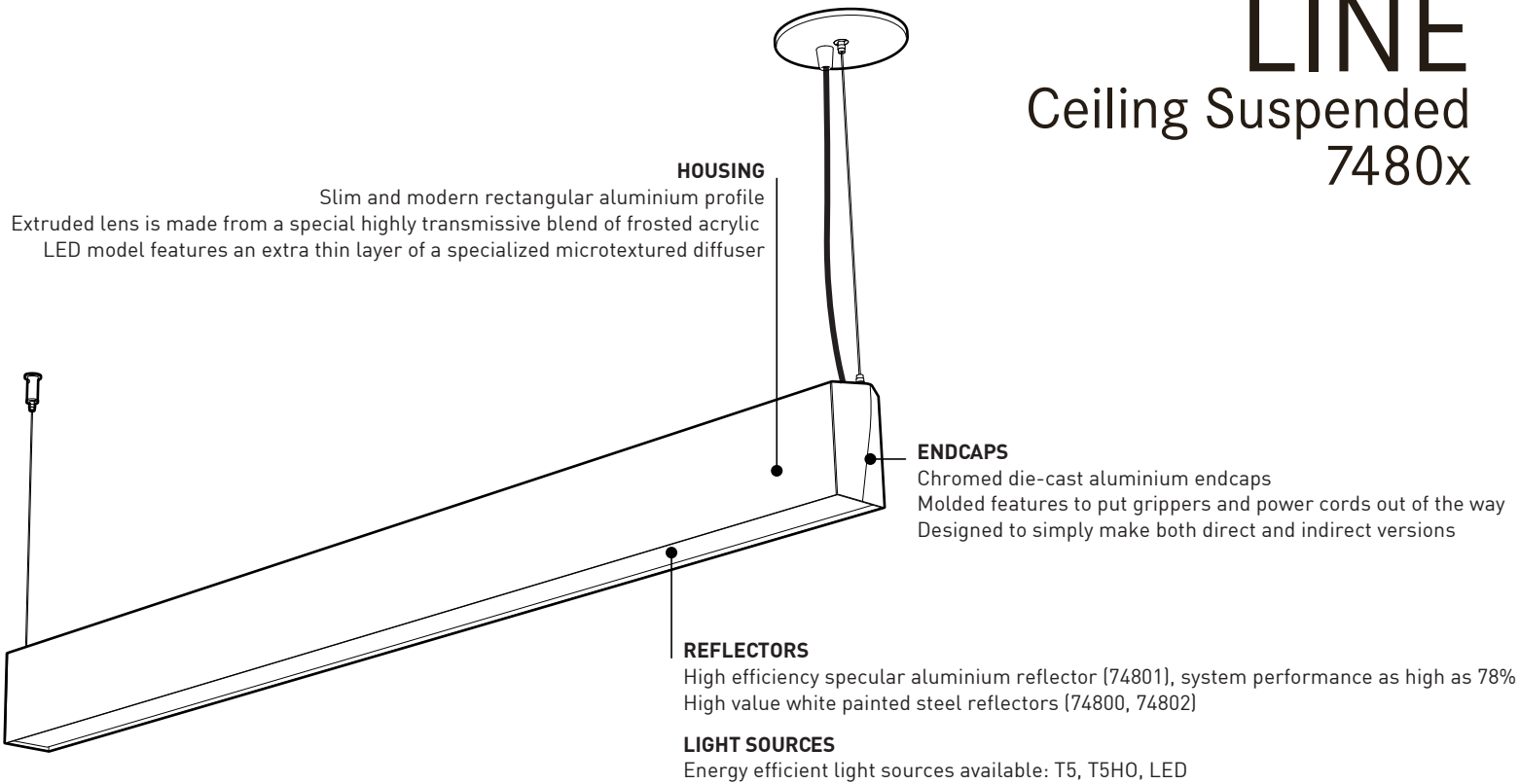
LED



LINE

Ceiling Suspended

7480x



SPECIFICATIONS

	74800 / 74801	74802
LIGHT SOURCE	1 x T5 / T5HO	36 x 0.5w Seoul Semi LEDs (3000K/4000K)
LIGHT DISTRIBUTION	Direct or Indirect	
HOUSING	Extruded white powder coated aluminium (0.075" nominal)	
ENDCAPS	Chromed die-cast aluminium (0.070" nominal)	
INNER BRACKETS	Die-formed sheet steel (20 Ga to 14 Ga)	
REFLECTOR	Die-formed white powder coated 20 Ga steel / 24 Ga specular aluminium	White powder coated 20 Ga steel
OPTICS	Extruded frosted PMMA 0.080"	Extruded PMMA 0.080" + microdiffusing layer (0.020")
VOLTAGE	120V-277V, 347V	120V-277V
BALLAST	Advance Centium or equivalent	Lightech 12V 25W or equivalent
DIMMING	Advance Mark 7 (T5), Mark 10 (T5HO) or Lutron	Advance Xitanium 60W 12V 0-10V controller
EMERGENCY	IOTA ISL-54 (1 Lamp 28w/54w)	N/A
WARRANTY	1 year	5 years



LINE 1080X

PROJECT PROJET

SPEC TYPE

NOTES



NEW / NOUVEAUTÉ

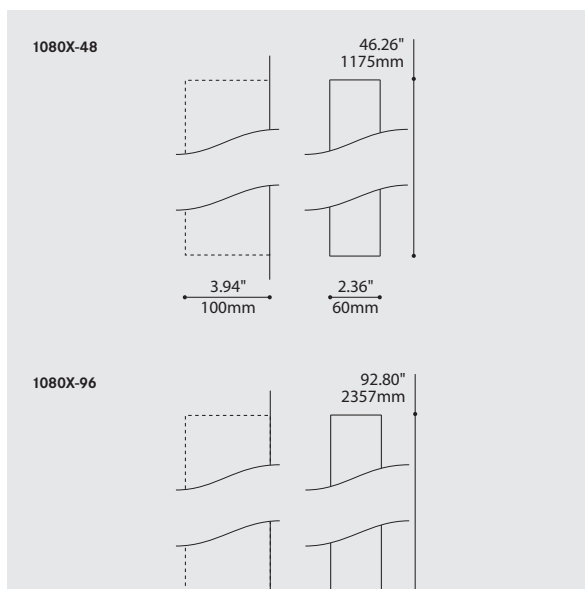
FAMILY FAMILLE



1080X, PAGE 36



7480X, PAGE 448



ORDERING SPECIFICATION SPÉCIFICATION DE COMMANDE

CODE

MODEL MODÈLE

10800 LINE
10801 LINE (HIGH EFFICIENCY REFLECTOR)
10802 LINE LED

LUMINAIRE LENGTH LONGUEUR DU LUMINAIRE

48 48"
96* 96"

*NOT AVAILABLE WITH 10802 MODEL

LIGHT SOURCE SOURCE LUMINEUSE

(WATTAGE, LAMP TYPE, LAMP FORM, BASE TYPE, OTHER INFO)

10800 / 10801-48

F.T5.28 28W, T5

F.T5.54 54W, T5 HO

10802-48

LED.18.30 18W, LED 3000K (WARM)

LED.18.40 18W, LED 4000K (NEUTRAL)

10800 / 10801-96

2XF.T5.28 28W X 2, T5

2XF.T5.54 54W X 2, T5 HO

VOLTAGE VOLTAGE

120V 120 VOLT

277V 277 VOLT

347V* 347 VOLT

*ONLY AVAILABLE WITH T5 (NON-DIMMING BALLAST)

DIMMING OPTION OPTION DE GRADATION

AVAILABLE WITH F.T5.54 AND 2XF.T5.54 ONLY

DM1 ADVANCE MARK 10 ELECTRONIC DIMMING BALLAST*

AVAILABLE WITH ALL T5 LIGHT SOURCES

DM7 ADVANCE MARK 7 ELECTRONIC DIMMING BALLAST*

D3D LUTRON HI-LUME 3D ELECTRONIC DIMMING BALLAST (ECOSYSTEM DIGITAL LINK WIRING)*

D33 LUTRON HI-LUME 3D ELECTRONIC DIMMING BALLAST (3-WIRE WIRING)*

AVAILABLE WITH LED.18.30 & LED.18.40 ONLY

DXT ADVANCE XITANIUM ELECTRONIC DIMMING CONTROLLER*

*SEE REFERENCE SECTION FOR OPTIONS PAGE 524

EMERGENCY BATTERY BATTERIE D'URGENCE

AVAILABLE WITH ALL T5 LIGHT SOURCES, 120V OR 277V ONLY, AVAILABLE WITH DIMMING BALLAST DM1 ONLY

EM EMERGENCY BATTERY*

*SEE REFERENCE SECTION FOR EMERGENCY BATTERY DETAILS PAGE 530

DIFFUSER FINISH FINI DIFFUSEUR

WH WHITE

SHADE FINISH FINI ABAT-JOUR

WH WHITE

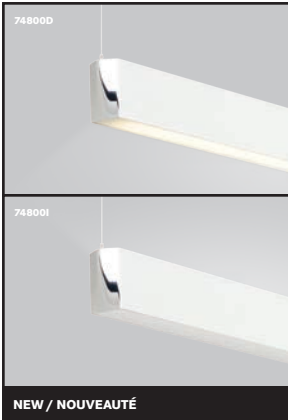


LINE 74800 / 74801 / 74802

PROJECT PROJET

SPEC TYPE

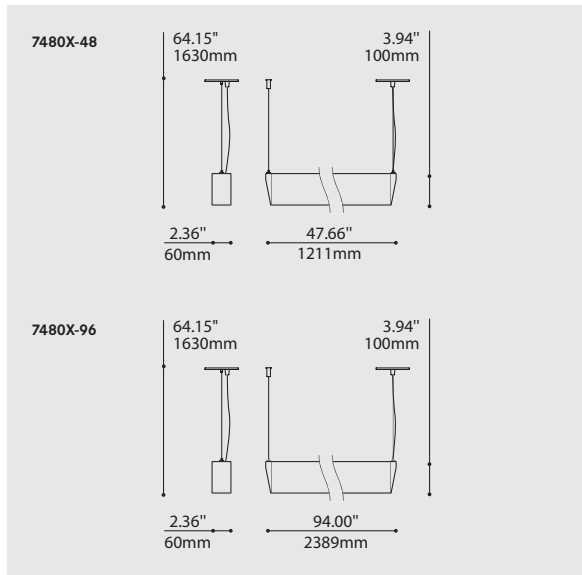
NOTES



FAMILY FAMILLE



1080X, PAGE 36, PAGE 230



ORDERING SPECIFICATION SPÉCIFICATION DE COMMANDE

CODE

MODEL MODÈLE

74800D	LINE DIRECT
74800I	LINE INDIRECT
74801D	LINE DIRECT (HIGH EFFICIENCY)
74801I	LINE INDIRECT (HIGH EFFICIENCY)
74802D	LINE DIRECT LED
74802I	LINE INDIRECT LED

LUMINAIRE LENGTH LONGUEUR DU LUMINAIRE

48	48"
96*	96"

*NOT AVAILABLE WITH 74802 MODEL

LIGHT SOURCE SOURCE LUMINEUSE

(WATTAGE, LAMP TYPE, LAMP FORM, BASE TYPE, OTHER INFO)

74800 / 74801-48		74800 / 74801-96	
F.T5.28	28W, T5	2XF.T5.28	28W X 2, T5
F.T5.54	54W, T5 HO	2XF.T5.54	54W X 2, T5 HO

74802-48

LED.18.30	18W, LED 3000K (WARM)
LED.18.40	18W, LED 4000K (NEUTRAL)

VOLTAGE VOLTAGE

120V	120 VOLT
277V	277 VOLT
347V*	347 VOLT

*ONLY AVAILABLE WITH T5 (NON-DIMMING BALLAST)

DIMMING OPTION OPTION DE GRADATION

AVAILABLE WITH F.T5.54 AND 2XF.T5.54 ONLY

DM1	ADVANCE MARK 10 ELECTRONIC DIMMING BALLAST*
AVAILABLE WITH ALL T5 LIGHT SOURCES	
DM7	ADVANCE MARK 7 ELECTRONIC DIMMING BALLAST*
D3D	LUTRON HI-LUME 3D ELECTRONIC DIMMING BALLAST (ECOSYSTEM DIGITAL LINK WIRING)*
D33	LUTRON HI-LUME 3D ELECTRONIC DIMMING BALLAST (3-WIRE WIRING)*

AVAILABLE WITH LED.18.30 & LED.18.40 ONLY

DXT	ADVANCE XITANIUM ELECTRONIC DIMMING CONTROLLER*
-----	---

*SEE REFERENCE SECTION FOR OPTIONS PAGE 524

EMERGENCY BATTERY BATTERIE D'URGENCE

AVAILABLE WITH ALL T5 LIGHT SOURCES, 120V OR 277V ONLY. ONLY AVAILABLE WITH A DIMMING BALLAST DM1

EM	EMERGENCY BATTERY*
----	--------------------

*SEE REFERENCE SECTION FOR EMERGENCY BATTERY DETAILS PAGE 530

CABLE CABLE

AC	AIRCRAFT MOUNTING & CLEAR CABLE, FIELD ADJUSTABLE
----	---

CABLE LENGTH LONGUEUR DE CABLE

60	60" AIRCRAFT CABLE (STD LENGTH)
**	CUSTOM AIRCRAFT CABLE LENGTH (MAX 180") (PLEASE SPECIFY)

FOR OVERALL LENGTH PLEASE CONTACT YOUR EUREKA REPRESENTATIVE

STRUCTURE FINISH FINI STRUCTURE

WH	WHITE
----	-------

DIFFUSER FINISH FINI DIFFUSEUR

WH	WHITE
----	-------

END CAP FINISH FINI EMBOUT

CHR	CHROME
-----	--------

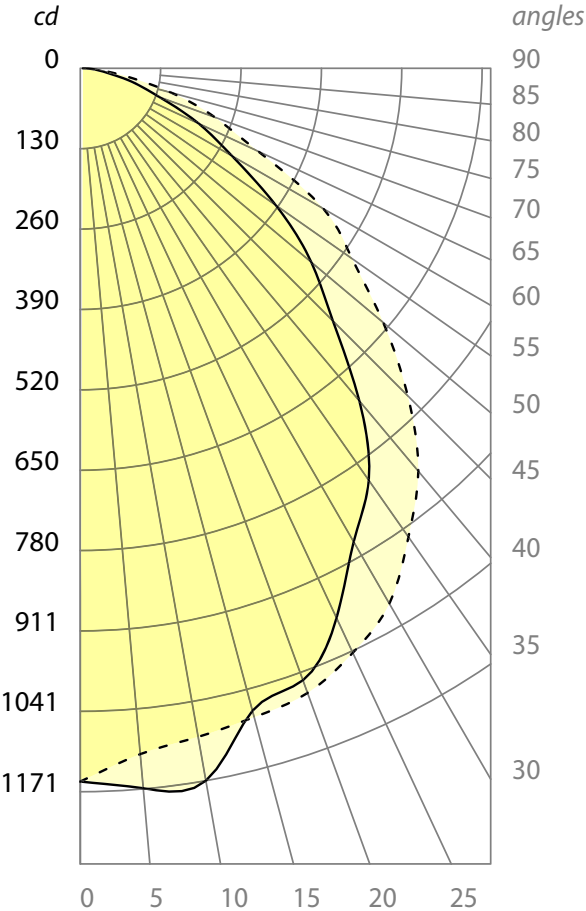


LINE

Ceiling Suspended / Recessed High Value Reflector - Photometry

74800D-48-1x54T5HO
One 54w Fluorescent T5HO
High value reflector

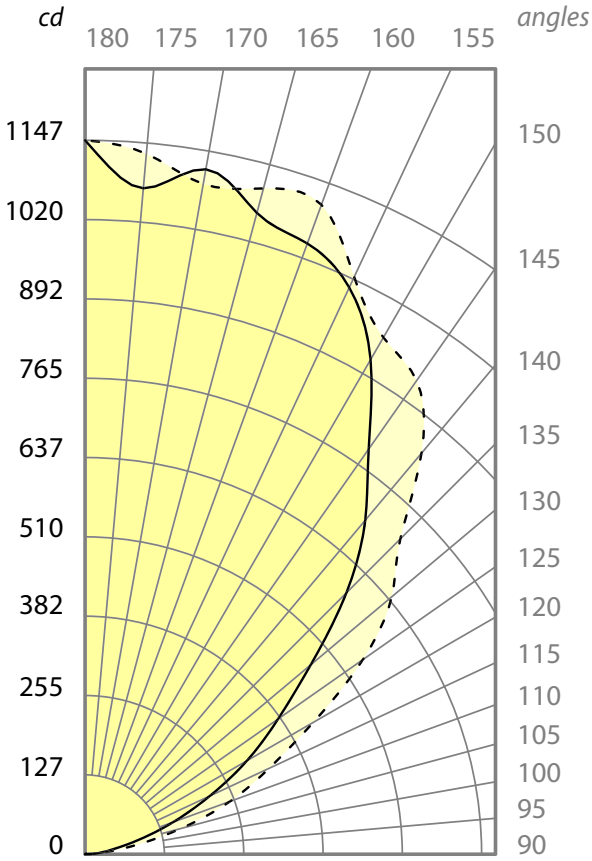
Number of lamps: 1
Lumens per lamp: 5000
Input watts: 59
Distribution: Direct
Efficiency: 55.2
Photometric type: C



----- 0 - 180
————— 90 - 270

74800I-48-1x54T5HO
One 54w Fluorescent T5HO
High value reflector

Number of lamps: 1
Lumens per lamp: 5000
Input watts: 59
Distribution: Indirect
Efficiency: 55.4
Photometric type: C



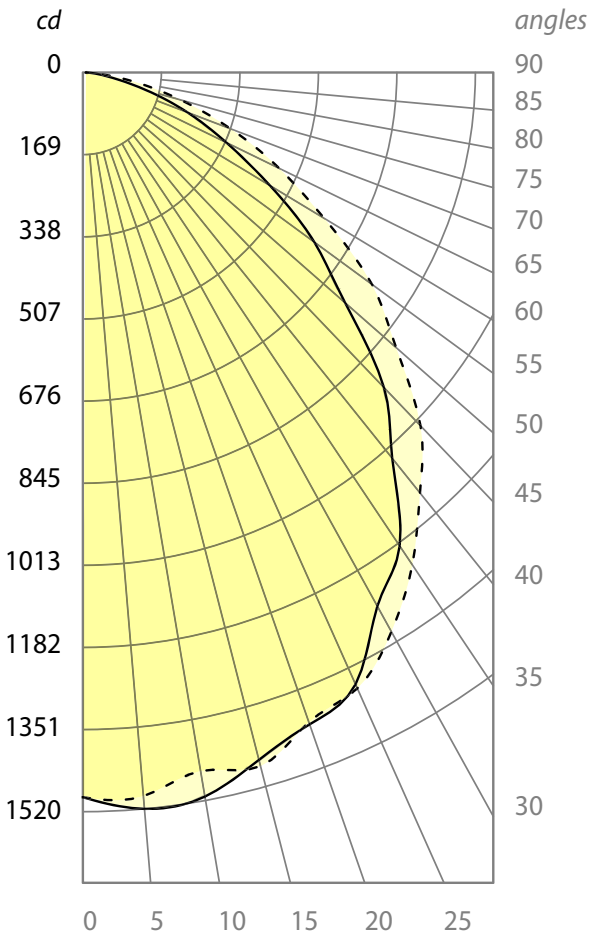
----- 0 - 180
————— 90 - 270

LINE

Ceiling Suspended / Recessed High Efficiency Reflector - Photometry

74801D-48-1xF54T5HO
One 54w Fluorescent T5HO
High efficiency reflector

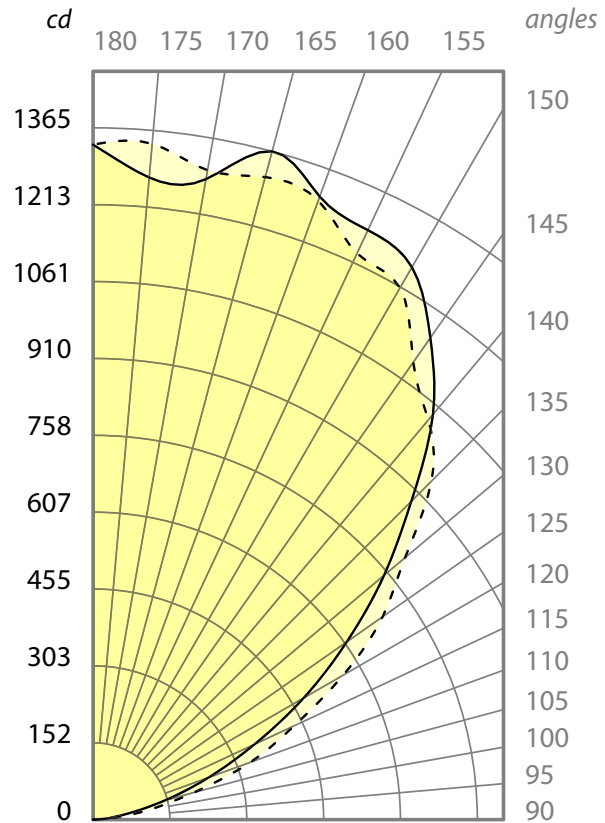
Number of lamps: 1
Lumens per lamp: 5000
Input watts: 59
Distribution: Direct
Efficiency: 77.9
Photometric type: C



----- 0 - 180
————— 90 - 270

74801I-48-1xF54T5HO
One 54w Fluorescent T5HO
High efficiency reflector

Number of lamps: 1
Lumens per lamp: 5000
Input watts: 59
Distribution: Direct
Efficiency: 77.9
Photometric type: C



----- 0 - 180
————— 90 - 270



LINE

Ceiling Suspended / Recessed Lighting Facts Label

LED Eureka Lighting

lighting facts®

A Program of the U.S. DOE

Light Output (Lumens)	600
Watts	9
Lumens per Watt (Efficacy)	66

Color Accuracy	84
Color Rendering Index (CRI)	

Light Color
Correlated Color Temperature (CCT) **4000 (Bright White)**

Warm White Bright White Daylight

2700K 3000K 4500K 6500K

Warranty**	Yes
------------	-----

All results, except LED Lumen Maintenance, are according to IESNA LM-79-2008:
Approved Method for the Electrical and Photometric Testing of Solid-State Lighting.
The U.S. Department of Energy (DOE) verifies product test data and results.

** See www.lightingfacts.com/products for details.

Registration Number: VEL3-NKG1DY (8/8/2012)
Model Number: 2044 / 2044B / 4044
Type: Surface-mounted fixture (other)





LINE

 EUREKA

LINE



 EUREKA



LINE

 EUREKA