



RAY

 EUREKA

# RAY

## Wall Recessed

ADA compliant LED wall-sconce

One piece die cast housing

LED 1W or 2W sources available

### 10096-BLK

(Black)



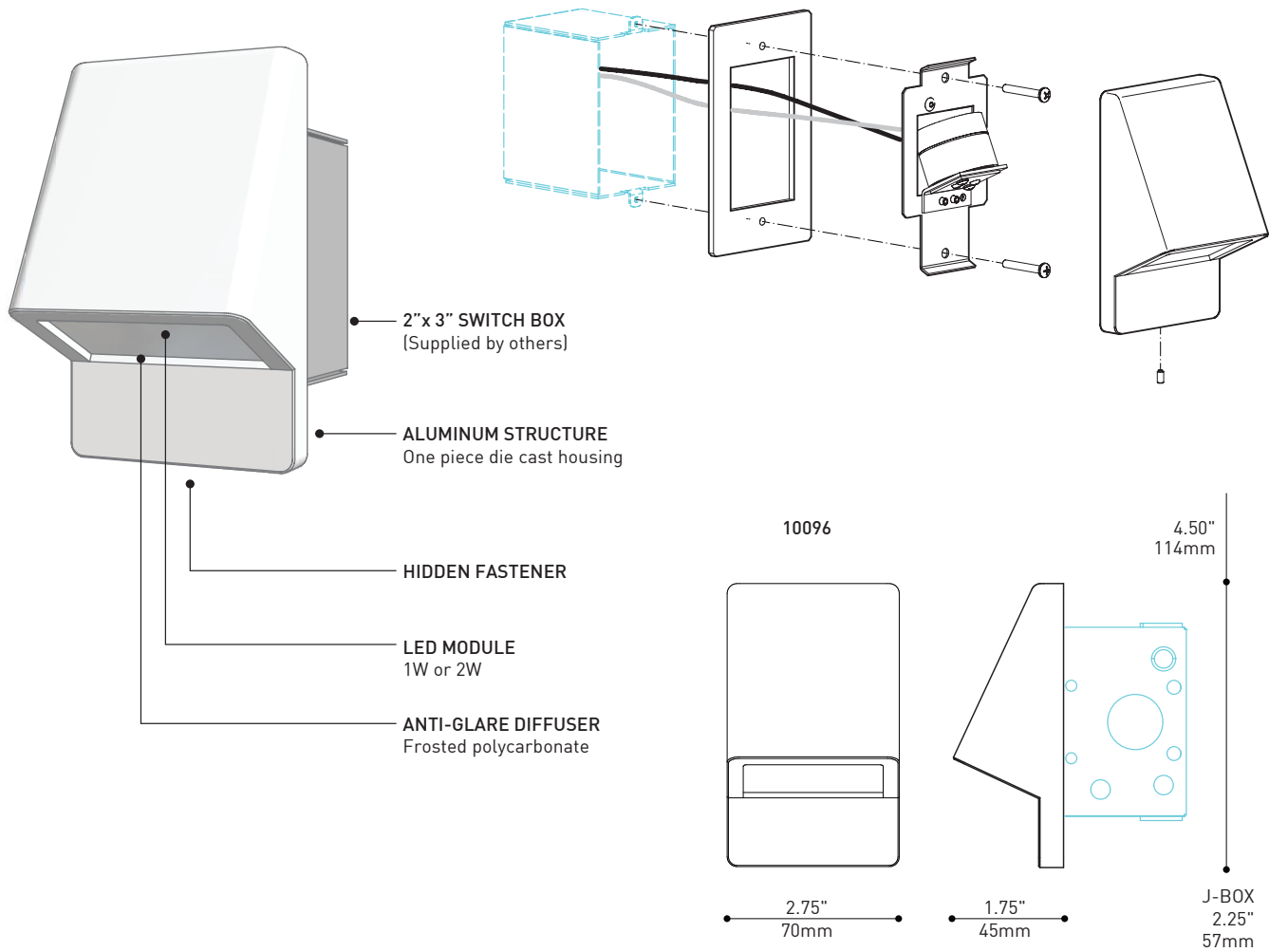
### 10096-WH

(White)



# RAY

## Wall Recessed Anatomy



### SPECIFICATION

	LED 1W	LED 2W
LIGHT SOURCE	1 x LUXEON REBEL total ±1.2w	2 x BRILLIA PZ Series total ± 3.7w (NICHIA)
MODULE	UL recognized - made in USA	UL recognized - made in USA
LUMENS (ESTIMATED)	85 lm (3000K) - 85 lm (4000K)	155 lm (3000K) - 170 lm (4000K)
CCT / CRI	ANSI binned 3000 (85 CRI) & 4000K (85 CRI)	3000 (80 CRI) & 4000K (80 CRI)
ROHS	Compliant	Compliant
THERMAL MANAGEMENT	Metal internal support in heavy gauge to maximize thermal performance	
LIGHT DISTRIBUTION	Direct - 120° Beam Angle	Direct - 120° Beam Angle
VOLTAGE	120V only	120V only
DRIVER	Wang House Technology 1-3W Constant Current (non dimming) / fits into Junction Box	Brillia AI1220 Constant Current (dimming)
LM-79 / L70	In process / Estimated 50 000 hrs	
SHADE STRUCTURE	Die cast aluminum housing with hidden fastener, available in White Polyester Powder Coat Paint or Black anodized	
DIFFUSER	Precision laser cutting Frosted polycarbonate lens	
CANOPY	CNC Stamped and Formed Cold Rolled Steel [0.048" nominal thickness] w/ highly reflective polyester powder coat white	
CERTIFICATION	C-CSA-US WET Location certified - ADA Compliant	
WARRANTY	5 years	



2.00" X 3.00" (51MM X 76MM)



EUREKA

# RAY 10096

PROJECT PROJET

SPEC TYPE

NOTES

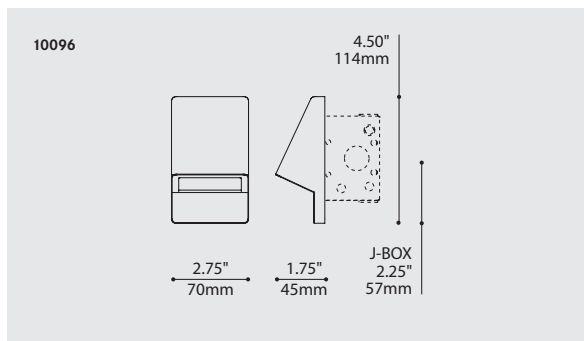


NEW / NOUVEAUTÉ

## OPTIONS



WH



## ORDERING SPECIFICATION SPÉCIFICATION DE COMMANDE

CODE

### MODEL MODÈLE

10096

10096 RAY

### LIGHT SOURCE SOURCE LUMINEUSE

(WATTAGE, LAMP TYPE, LAMP FORM, BASE TYPE, OTHER INFO)

LED.1.30 1W, LED 3000K (WARM) (120V ONLY)  
 LED.1.40 1W, LED 4000K (NEUTRAL) (120V ONLY)  
 LED.2.30 2W, LED 3000K (WARM) (120V ONLY)  
 LED.2.40 2W, LED 4000K (NEUTRAL) (120V ONLY)

### VOLTAGE VOLTAGE

120V

120V 120 VOLT

### DIMMING OPTION OPTION DE GRADATION

AVAILABLE WITH LED.2.30 & LED.2.40 ONLY

DBL BRILLIA ELECTRONIC LED DIMMING DRIVER\*  
 DIMMING DRIVER IS STANDARD IN THE 2W LED VERSION  
 \*SEE REFERENCE SECTION FOR OPTIONS PAGE 524

### STRUCTURE FINISH FINI STRUCTURE

BLKA BLACK ANODIZED  
 WH WHITE

## PRODUCT CHARACTERISTICS CARACTÉRISTIQUES DU PRODUIT

**Design:** High performance, direct illumination. Hidden fasteners and fits in a 2" x 3" switch box

**Light Source:** 1W and 2W LED available in 3000K (Warm white) & 4000K (Neutral white)

**Structure:** Die-cast aluminium / die-stamped steel / die-cut silicone gasket

**Finish:** Anodized black or polyester powder coated white finish

**Diffuser:** Frosted polycarbonate sheet

**Certified:** c-CSA-us Wet Location – Suitable for interior and exterior projects

**Conception:** Haute performance, éclairage direct. Fixations invisibles. Convient aux boîtes de jonction 2" x 3"

**Source lumineuse:** DEL 1W et 2W disponibles en 3000K (blanc chaud) ou 4000K (blanc neutre)

**Structure:** Aluminium injecté / acier découpé et plié / joint en silicone estampillé

**Fini:** Noir anodisé ou peinture électrostatique blanche à base de polyester

**Optique:** Polycarbonate givré

**Certifié:** c-CSA-us Emplacement Mouillé – Convient aux projets intérieurs et extérieurs



2.00" X 3.00" (51MM X 76MM)



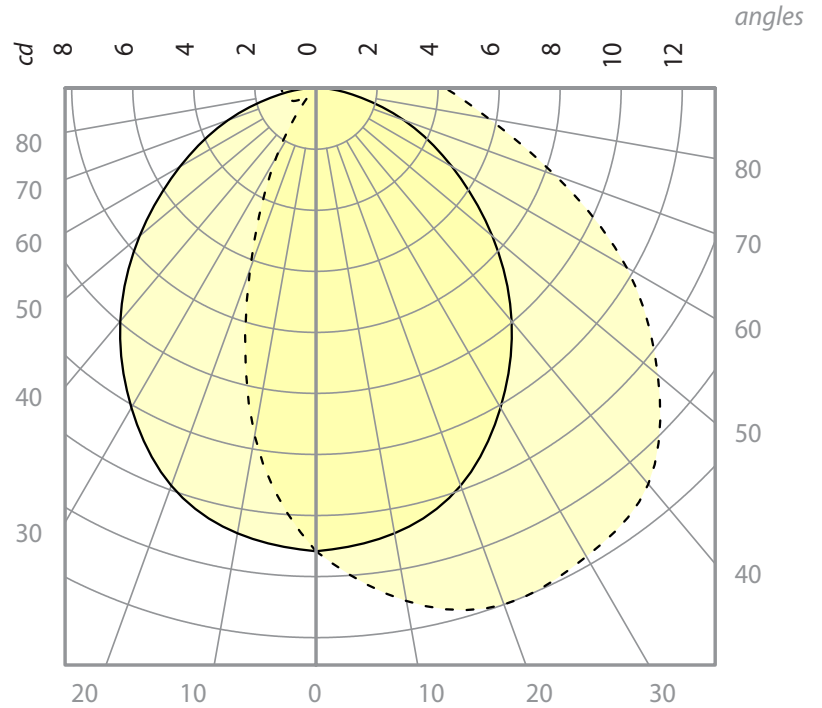
# RAY

## Wall Recessed Photometry

10096-LED.1  
ONE 1W WHITE LED CONSTANT CURRENT 350mA (120V ONLY)

Number of lamps: 1  
Lumens per lamp: 75  
Input watts: 1.21  
Distribution: Direct  
Efficiency: 52.0  
Photometric type: C

----- 0 - 180  
————— 90 - 270



10096-LED.2  
ONE 2W WHITE LED CONSTANT CURRENT (120V ONLY)

Number of lamps: 2  
Lumens per lamp: 80  
Input watts: 3.66  
Distribution: Direct  
Efficiency: 48.2  
Photometric type: C

----- 0 - 180  
————— 90 - 270

