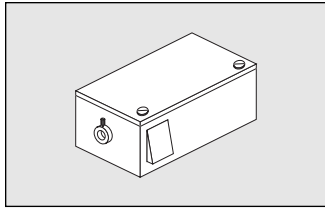


WET LOCATION UNIVERSAL ILLUMINATOR

FIBER OPTIC

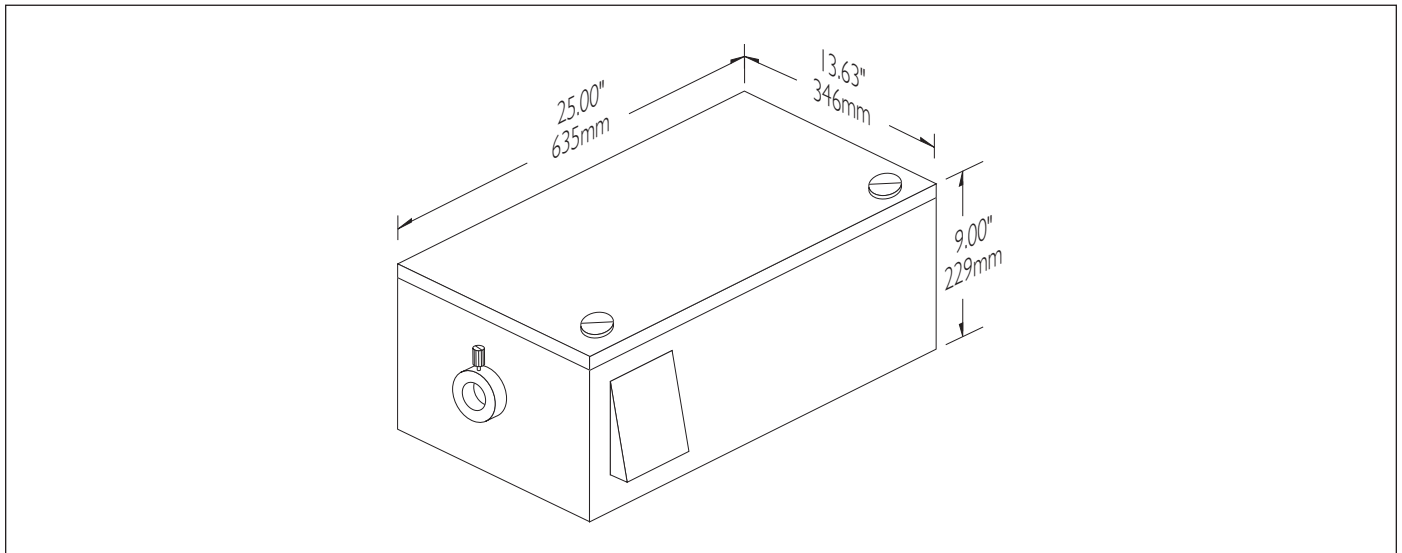


PRODUCT SPECIFICATION

Cat. No.	Description
----------	-------------

ILQH-3	250w Quartz Halogen Illuminator, 3000°K
ILMH-2*	150w HQI Metal Halide Illuminator, 3000°K
ILMH-2A*	150w HQI Metal Halide Illuminator, 4000°K
ILMH-4*	100w High Output Metal Halide Illuminator, 5200°K

* Specify 120 (120v service), 240 (240v service), 277 (277v service)



ILLUMINATOR

GENERAL DESCRIPTION

Fiber optic illuminator gasketed for use in wet interior/exterior locations. Universal compartment size can be fitted with halogen or metal halide lamps (to be specified). Complete with mounted cooling fan, transformer/ballast, lamp, and grounded plug-in service cord. Hinged lid with electrical disconnect. Illuminators are suitable for use with glass or plastic fiber optic harnesses. Heat filter installed in units when shipped with plastic harness. Recommended mounting position is horizontal. Proper landscape drainage must be provided if mounted on ground. ILLUMINATOR MAY NOT BE SUBMERGED IN WATER. Consult factory for door swing options.

MATERIAL

Illuminator housing is fabricated aluminum. Common end port boss is machined aircraft grade aluminum.

PORT OPENING

Illuminator port opening 30mm standard. Optional custom 50mm port opening for use with larger quantity and/or diameter fiber.

LAMPS

250w quartz halogen and 150w HQI metal halide lamps are general service lamps installed in front of ellipsoidal reflector to concentrate light in port opening. 100w metal halide lamp is dedicated fiber optic source with integral reflector and high efficacy. Average rated life for lamps follows: 250w 2,000 hrs.; 150w 6,000hrs.; and 100w 6,000hrs.

ACCESSORIES

Illuminator may be accessorized with motorized Color Wheel, Sparkle Wheel, Dimming Wheel, Single Dichroic Filter, and Lucitrol™ Color/Dimming on Demand™.

LABEL

U.L.-CUL Listed fiber optic illuminator for wet interior/exterior locations. File No. E141004.

ELECTRICAL

Illuminator (120v only) comes prewired with a 7 foot long grounded plug-in service cord. Illuminators are also listed for hard wire installations.

TRANSFORMER/BALLAST

Illuminators are powered by U.L. recognized transformers (ILQH-3), or ballasts (ILMH-2, ILMH-3A, ILMH-4). ILQH-3 120v primary only. ILMH-2 and ILMH-4 are available with 120v, 240v or 277v primary.

LUCIFER
LIGHTING COMPANY

414 Live Oak Street
San Antonio, Texas 78202
Phone 210 227-7329
FAX 210 227-4967
www.luciferlighting.com

©2002 Lucifer Lighting Company

As part of its policy of continuous research and product development, the Company reserves the right to change or withdraw specifications without prior notice.

0993-0502