

# EL-154

## MICRO Plumb® PRODUCTS 50 VA Transformer

### Description

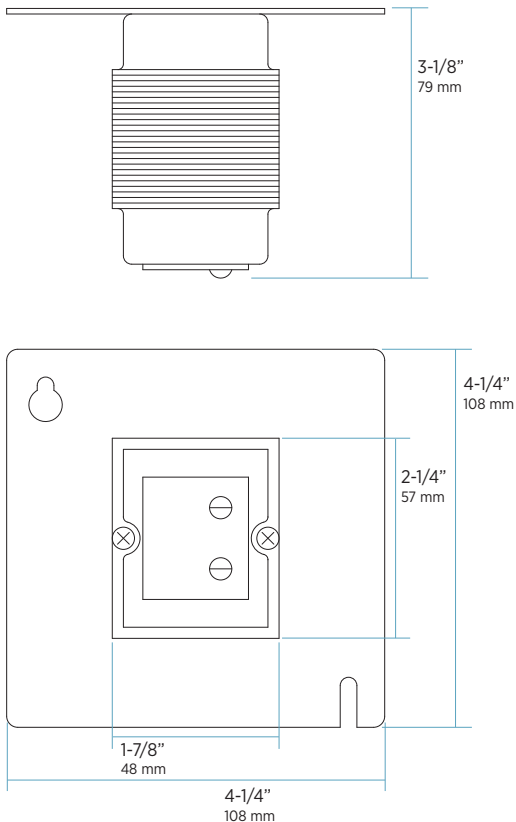
Box-Mount Transformer designed for use with PWT Systems.

### Specifications

- 120 VAC Input, 50/60 Hz Primary
- 24 VAC Output, 50/60 Hz Secondary
- Class II, UL Listed
- 50 VA

### Usage

Recommended for use on combination units or a maximum of three lavatory or three shower solenoid valves.



**FWT** PROGRAMMED WATER TECHNOLOGIES  
A SLOAN VALVE COMPANY  
**SLOAN**®

Water Connects Us™

Headquarters • 10500 Seymour Avenue • Franklin Park, IL 60131  
P: 847-671-4300 / 800-9-VALVE-9 • F: 847-671-4380 / 800-447-8329

The information contained in this document is subject to change without notice.