

Dolphin® Model Flushometer

Type II Class B Rigid Installation

► Description

Exposed Urinal Flushometer. Specifically engineered for salt water and severe water conditions. Meets U.S. Navy Bureau of Ships Specifications.

► Flush Cycle

Model Type II—Class B Rigid Installation (factory set at 1.0 gpf/5.7 Lpf)

Valve Adjustment Range: 0.25 gpf/0.9 Lpf to 12.0 gpf/45.4 Lpf

Factory settings made at 40 psi (275 kPa) — flush volume will vary with pressure and flow rate

► Specifications

Quiet, Exposed, Chrome Plated Urinal Flushometer with the following features:

- Metal Lever Handle
- 3/4" I.P.S. Screwdriver Bak-Chek™ Angle Stop with 1/2" Inlet Adapter
- Vandal Resistant Stop Cap
- Ground Joint Tailpiece
- 3/4" Scored Outlet with 1/2" Offset and 3/4" x 1/2" Reducer for 1/2" Spud
- Flushometer does not require water pressure to positively shut off
- High Copper, Low Zinc Brass Castings for Dezincification Resistance
- Non-Hold-Open Handle and No External Volume Adjustment to Ensure Water Conservation
- Handle Packing, Stop Seat and Vacuum Breaker to be Molded from PERMEX™ Rubber Compound for Chloramine Resistance

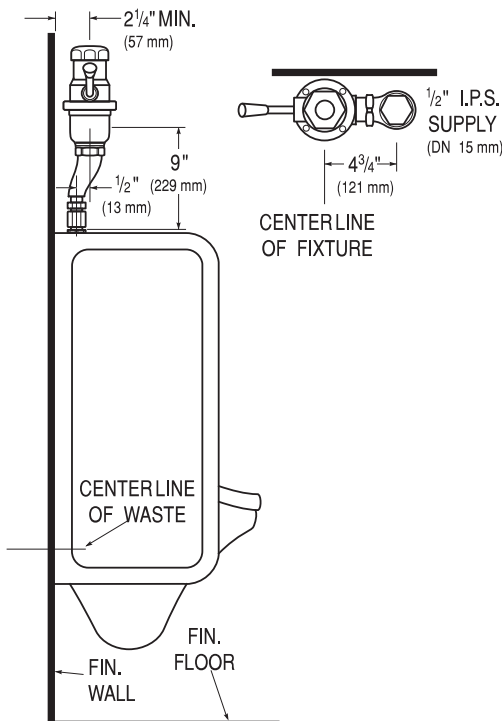
Valve Body, Cover, Tailpiece and Control Stop shall be in conformance with ASTM Alloy Classification for Red Brass. Valve shall be in compliance to the applicable sections of ASSE 1037.

► Variations

1/2" Sil-braze Inlet Adapter

► Accessories

See Accessories Section of the Sloan catalog for details on these and other Flushometer variations.



Made In The
USA

This space for Architect/Engineer approval

The information contained in this document is subject to change without notice.

SLOAN

SLOAN VALVE COMPANY • 10500 SEYMOUR AVE. • FRANKLIN PARK, IL. 60131
Ph: 1-800-9-VALVE-9 or 1-847-671-4300 • Fax: 1-800-447-8329 or 1-847-671-4380

<http://www.sloanvalve.com>