



Hydraulic Royal® Model Flushometer

952-1.28

► Description

Concealed Hydraulically Operated High Efficiency Water Closet Flushometer, for wall hung concealed back spud bowls.

► Flush Cycle

Model 952-1.28 High Efficiency (1.28 gpf/4.8 Lpf)

► Specifications

Quiet, Concealed, Diaphragm Type, Rough Brass Closet Flushometer for either left or right hand supply with the following features:

- PERMEX™ Synthetic Rubber Diaphragm with Dual Filtered Bypass
- ADA Compliant Non-Hold-Open feature type Actuator (specify Actuator type listed below)
- 1" I.P.S. Wheel Handle Bak-Chek™ Angle Stop
- Adjustable Tailpiece
- Vacuum Breaker
- Double Slip Elbow Flush Connection and Spud Coupling for 1½" Concealed Back Spud
- Sweat Solder Adapter
- Diaphragm, Stop Seat and Vacuum Breaker to be molded from PERMEX™ rubber compound for Chloramine resistance
- High Copper, Low Zinc Brass Castings for Dezincification Resistance
- Non-Hold-Open Handle, Fixed Metering Bypass and No External Volume Adjustment to Ensure Water Conservation.
- Flush Accuracy Controlled by CID™ Technology
- Diaphragm, Handle Packing, Stop Seat and Vacuum Breaker to be molded from PERMEX™ Rubber Compound for Chloramine Resistance.
- 100% of the energy used in manufacturing is offset with Renewable Energy Sources – Wind Energy

Valve Body, Cover, Tailpiece and Control Stop shall be in conformance with ASTM Alloy Classification for Semi-Red Brass. Valve shall be in compliance to the applicable sections of ASSE 1037, ANSI/ASME 112.19.2.

► Actuator Types: (please check one)

- | | |
|--------------------------------------|--|
| <input type="checkbox"/> FW | Fixture Wall Actuator (HY-33-A) (rear access required) |
| <input type="checkbox"/> MP | Metal Partition Actuator (HY-49-A) |
| <input type="checkbox"/> SW | Side Wall Mounted Actuator (HY-72-A) |
| <input type="checkbox"/> MBFW | Metal Button Fixture Wall Actuator (HY-100-A) (rear access required) |
| <input type="checkbox"/> MBPM | Metal Button Panel Mount (HY-108-A) |

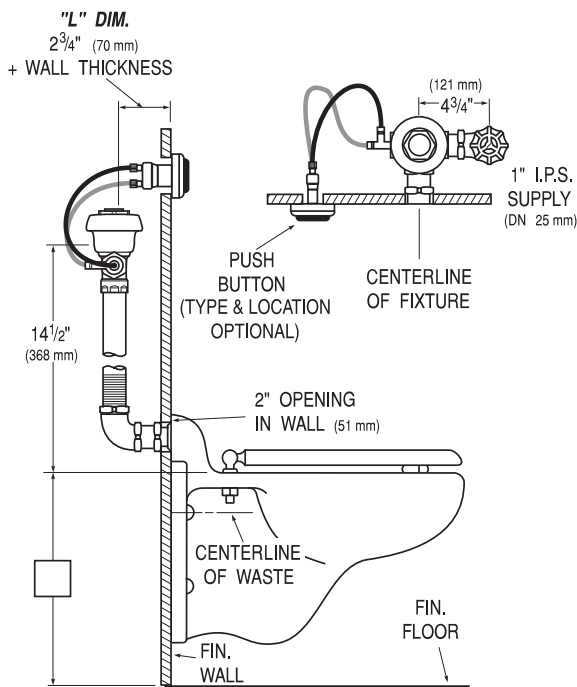
See Actuator Specification pages in this section for details on Actuators.

► Variations

- | | |
|------------------------------------|--|
| <input type="checkbox"/> TP | Trap Primer |
| <input type="checkbox"/> YO | Two Wall Bumpers (for open front seat without cover) |

See Accessories Section of the Sloan catalog for details on these and other Flushometer variations.

Hydraulic Flushometer can also be provided in Regal® Models. All rough-in dimensions remain the same. Consult the factory.



This space for Architect/Engineer approval

The information contained in this document is subject to change without notice.

SLOAN®

Made in the U.S.A.

SLOAN VALVE COMPANY • 10500 SEYMOUR AVE. • FRANKLIN PARK, IL. 60131
Ph: 1-800-9-VALVE-9 or 1-847-671-4300 • Fax: 1-800-447-8329 or 1-847-671-4380
<http://www.sloanvalve.com>