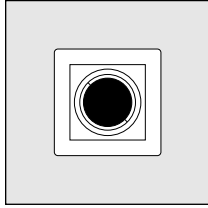


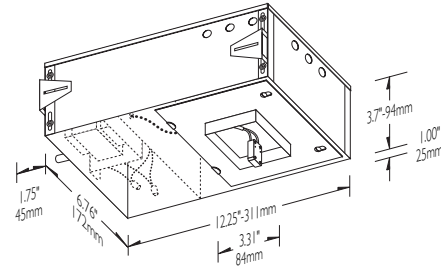
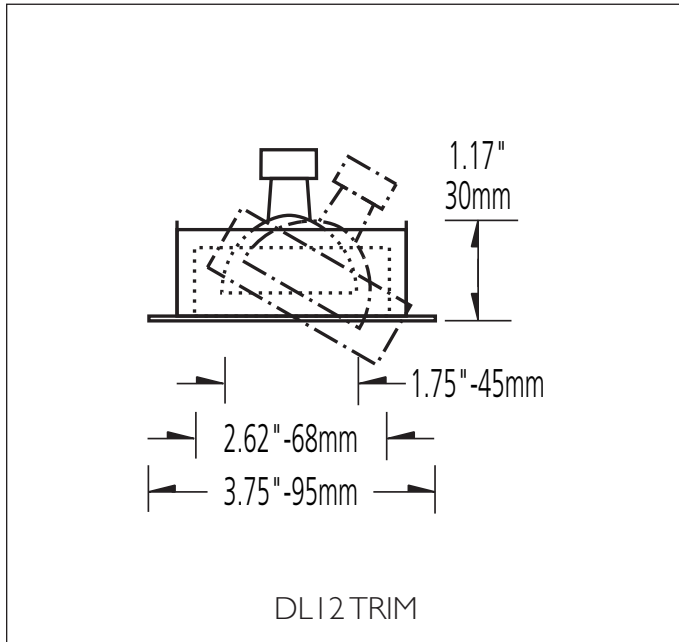
DL12 - Adjustable Square Compact RECESSED DOWNLIGHT



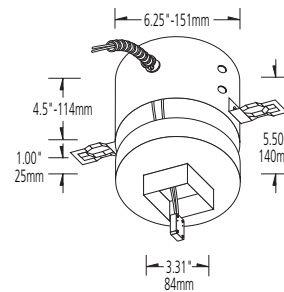
PRODUCT SPECIFICATION

Cat. No. Finish

DL12W	Matte White
DL12B	Matte Black
DL12C	Polished Chrome
DL12G	Polished Brass



DHX-5 HOUSING



DHT/Q HOUSING

GENERAL DESCRIPTION

Lucifer recessed downlight is an adjustable low voltage fixture with **flush trim plate**. Adjustable die-cast square fitting with square interior fitting. Round opening is adjustable 30° from vertical. Uses a quartz halogen lamp for superior color rendition and beam control. Clear glass lens is supplied with fixture.

MOUNTING

Use with **DHX-5** housing with integral magnetic or electronic transformer, 120v primary, 12v secondary (50w maximum) or integral magnetic transformer 277v primary, 12v secondary (50w maximum). The DHX-5 is for use with non-insulated, accessible ceilings only. Distinguishing characteristics of DHX-5 housing is shallow construction, under 4 inches in depth, which is U.L. Listed for through branch circuit wiring. Use with **DHT/Q** housing and remote transformer (order separately) for non-IC, accessible ceilings only (50w maximum). DHT/Q housing includes 5 foot conduit with leads and pre-wired mating connectors for quick trim connection. Hanging bars and brackets are included with all housings.

MATERIAL

Trim is constructed of steel. Fixture housing is riveted aluminum.

ACCESSORIES

Trim may be accessorized with Frosted Glass Lens (FGL-1), Linear Spread Lens (LSL-1), MR-11 Lamp Adapter (LA), Honeycomb Louvre (HCL-1), Spread Glass Lens (SGL-1), Ultra Violet Glass Lens (UVL-1), and Black Louvre (LVR).

LABEL

U.L. Listed trim and housings for dry and damp, non-IC locations. Accessible ceilings only. File No. EI 15025.

ELECTRICAL

Trim is pre-wired for use in housing assembly.

TRANSFORMER

DHX-5 housing is supplied with an integral 120v or 277v primary, 12v secondary magnetic transformer or 120v primary, 12v secondary electronic transformer. DHT/Q housing is powered by remote transformer sized to load (order separately). Standard 120v primary, 12v secondary. All transformers are fully dimmable.

LAMP

12v MR-16 halogen lamp, 50w maximum (order separately). Specify lamp beam spread.

ENERGY CONSERVATION

Manufacturer recommends use of Osram Sylvania's energy saving 37w Tru-Aim® IR halogen lamps which convert more energy into light than conventional 50w MR-16 lamps. Tru-Aim® IR halogen lamps can be ordered from Lucifer Lighting for use in fixture. See luciferlighting.com for lamp specification guide.

WARRANTY

Manufacturer's one year warranty of product is conditioned on use of manufacturer supplied transformers.

LUCIFER
LIGHTING COMPANY

414 Live Oak Street
San Antonio, Texas 78202
Phone 210 227-7329
FAX 210 227-4967
www.luciferlighting.com

©2004 Lucifer Lighting Company

As part of its policy of continuous research and product development, the Company reserves the right to change or withdraw specifications without prior notice.

0943-1004