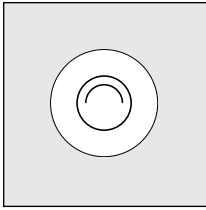
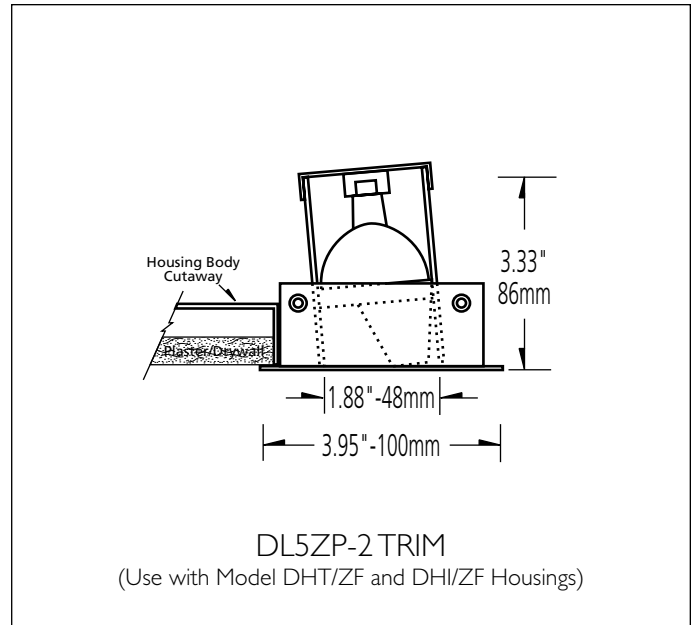
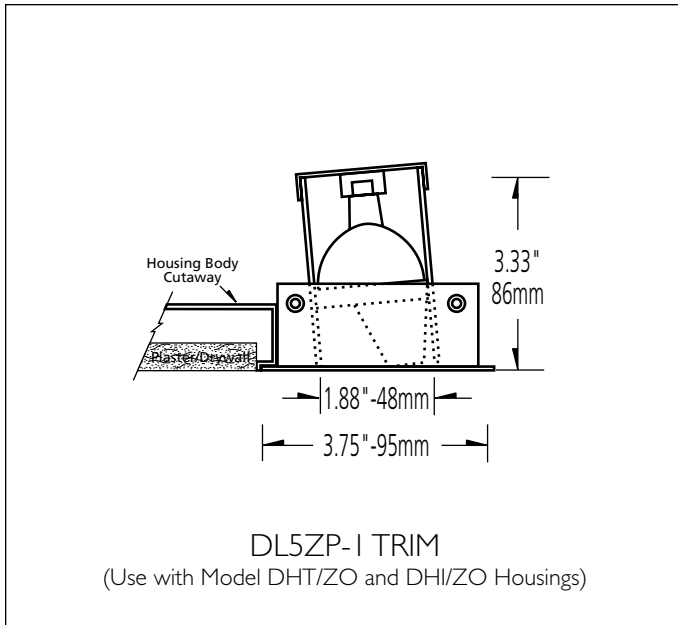


DL5ZP-1 - Mirage™ Zero Sight Line DL5ZP-2 - Mirage™ Flange Overlay RECESSED WALLWASHER



PRODUCT SPECIFICATION

Cat. No.		Finish
DL5ZP-1W	DL5ZP-2W	Matte White
DL5ZP-1B	DL5ZP-2B	Matte Black
DL5ZP-1C	DL5ZP-2C	Polished Chrome
DL5ZP-1G	DL5ZP-2G	Polished Brass



GENERAL DESCRIPTION

Wallwasher is a low voltage fixture with **flush trim plate**, **internal kick reflector** with integral frosted lens for uniform wallwashing. Die cast interior baffle eliminates aperture flash or glare. Recommended fixture spacing is 2.5 feet on center, with 15 inch setback from wall plane. Trim is offered in two variations: Model **DL5ZP-1** is for mounting, typically, in plaster or drywall ceilings with plaster stop for zero sight line; Model **DL5ZP-2** is for mounting in drywall ceilings and incorporates standard flush trim with minimal protrusion over ceiling line. Both models use a G.E. halogen lamp for optimal color rendition and beam uniformity.

MOUNTING

Use DL5ZP-1 with **DHT/ZO** housing and DL5ZP-2 with **DHT/ZF** housing for non-IC accessible and non-accessible ceilings which do not exceed 1 inch thickness. Housing butterfly brackets can be adjusted by loosening thumb-turn posts within housing to align housing neck with finish ceiling line. Use DL5ZP-1 with **DHI/ZO** housing and DL5ZP-2 with **DHI/ZF** housing for insulated, airtight, accessible or non-accessible ceilings. Hanging bars are included. Model ZO1K drywall installation kit is included with Model DHT/ZO and DHI/ZO. It contains a reinforcing screen for applying joint compound when used in drywall ceilings.

MATERIAL

Trim is constructed of steel and aluminum. Painted finishes are granulated powder coat. Fixture housings are riveted aluminum.

ACCESSORIES

Trim may be accessorized with only one lens, the Ultra Violet Glass Lens (UVL-2) or a Peach 2700°K Warm Tone Lens (WTL-2). The Wallwasher trim is permanently installed with Frosted Lens (FGL-2) as standard.

LABEL

U.L. Listed trim and housing for dry and damp, non-IC and IC locations. File No. EI 15025.

TRANSFORMER

DHT/ZO, DHT/ZF, DHI/ZO, and DHI/ZF housings are powered by 120v primary, 12v secondary, integral electronic transformers, 50w maximum, which are dimmable.

LAMP

12v MR-16 halogen lamp, 50w maximum (order separately). **For optimal even illuminance, it is recommended that this fixture be lamped with a G.E. constant color 50w narrow flood lamp, ANSI code EXX** (Lucifer Lighting Part No. 12-50-HR-MF).

ENERGY CONSERVATION

Manufacturer recommends use of Osram Sylvania's energy saving 37w Tru-Aim® IR halogen lamps which convert more energy into light than conventional 50w MR-16 lamps. Tru-Aim® IR halogen lamps can be ordered from Lucifer Lighting for use in fixture. See luciferlighting.com for lamp specification guide.

WARRANTY

Manufacturer's one year warranty of product is conditioned on use of manufacturer supplied transformers.

LUCIFER
LIGHTING COMPANY

3750 IH35 North
San Antonio, TX 78219
Phone: 800 879-9797
Fax: 210 227-4967
luciferlighting.com

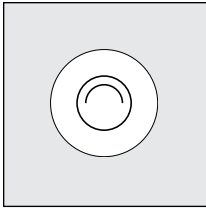
©2004 Lucifer Lighting Company

As part of its policy of continuous research and product development, the Company reserves the right to change or withdraw specifications without prior notice.

1015-1104

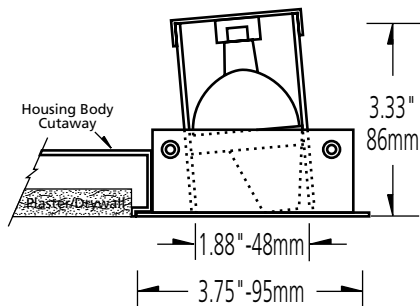
DL5ZP-MH - Mirage™ Metal Halide RECESSED WALLWASHER

PRODUCT SPECIFICATION



Cat. No.	Finish
DL5ZP-MH-W	Matte White
DL5ZP-MH-B	Matte Black
DL5ZP-MH-IG	Industrial Grey

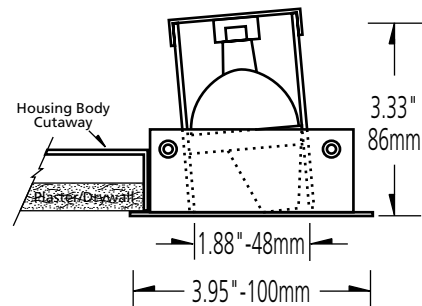
Zero Sightline Install



DL5ZP-MH TRIM

(Use with Model DHZ-MH and DHZ-I-MH Housings with Housing Accessory DH-ACC-ZO)

Flange Overlay Install



DL5ZP-MH TRIM

(Use with Model DHZ-MH and DHZ-I-MH Housings)

GENERAL DESCRIPTION

Wallwasher is a line voltage fixture fabricated for use with metal halide lamp. Trim has **flush trim plate, internal kick reflector** with integral frosted lens for uniform wallwashing. Die cast interior baffle eliminates aperture flash or glare. Recommended fixture spacing is 2.5 feet on center, with 15 to 18 inch setback from wall plane. Trim is for mounting, typically, in plaster or drywall ceilings with plaster stop for zero sight line; or in drywall ceilings and incorporates standard flush trim with minimal protrusion over ceiling line.

MOUNTING

Use DL5ZP-MH downlight with **DHZ-MH** housing for non-IC accessible and non-accessible ceilings which do not exceed 1 inch thickness. Use DL5ZP-I with **DHI/ZO** housing and DL5ZP-MH with **DHZ-I-MH** housing for insulated, airtight, accessible or non-accessible ceilings. Hanging bars are included.

MATERIAL

Trim is constructed of steel. Fixture housing is spot welded steel. Painted finishes are granulated powder coat.

ACCESSORIES

Trim may be accessorized with only one lens, the Ultra Violet Glass Lens (UVL-2) or a Peach 2700°K Warm Tone Lens (WTL-2). The Wallwasher trim is permanently installed with Frosted Lens (FGL-2) as standard.

LABEL

Listing pending.

ELECTRICAL

Trim is pre-wired for use in housing assembly.

TRANSFORMER

Housings are powered by 120v primary, 50/60hz integral electronic ballast which is not dimmable.

LAMP

ES-16 metal halide lamp by SLI, 39w (order separately). For optimal even illuminance, it is recommended that this fixture be lamped with a SLI narrow flood 38° lamp. Note: lamp is not instant-on and requires warm-up time.

WARRANTY

Manufacturer's one year warranty of product is conditioned on use of manufacturer supplied transformers.

LUCIFER
LIGHTING COMPANY

3750 IH35 North
San Antonio, TX 78219
Phone: 800 879-9797
Fax: 210 227-4967
luciferlighting.com

©2007 Lucifer Lighting Company

As part of its policy of continuous research and product development, the Company reserves the right to change or withdraw specifications without prior notice.

0000-0307