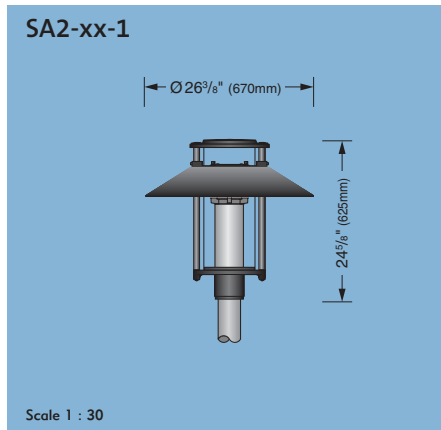
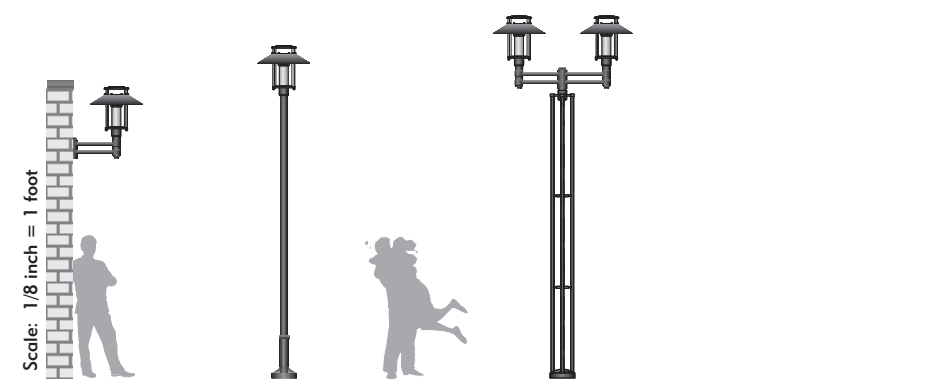


# Saturn 2

# se'lux



**Construction**

- Die-cast and formed aluminum components
- Clear UV-stabilized acrylic diffuser
- Stainless steel fasteners
- Sealed optic chamber

**Lamping/Optics**

- H.I.D. lamping 50w to 175w
- Seven refractor options
- Type III, IV and V distributions
- Cutoff and Semi-Cutoff classifications

**Design Features**

- Double shade creates self-illuminating glow and unique night time appearance

**Finish**

- High quality polyester powder coat finish (CLICK HERE FOR DETAILS)

**Certifications**

- UL and ULC listed
- IP 54 < 100w / IP44 ≥ 100w
- ASTM and PCI

## Ordering Matrix

For details and specifications, see current spec sheet (CLICK HERE)

**Series** | SA2 Saturn 2

**Shielding** | **SP** Type V Silver Louver | **WP** Type V White Louver | **MR** Type V MTR 150 Refractor | **M3** Type IV MTR 180 Refractor | **M5** Type V MTR 180 Refractor | **B3** Type III Borosilicate Glass Refractor | **B5** Type V Borosilicate Glass Refractor

**Mounting** | **1** Single | **2** Double | **W** Wall Mount

**Lamping MH** | **H050\*** 50w | **H070** 70w | **H100** 100w | **H150\*\*** 150w | **H175\*\*** 175w

**Lamping HPS** | **S050\*** 50w | **S070** 70w | **S100** 100w | **S150\*\*** 150w

**Voltage** | **120** | **208** | **240** | **277** | **347**

**Finish** | **BK** Black | **WH** White | **BZ** Bronze | **SV** Silver | **SP** Specify RAL#

**Options** | **HS** House Side Shield (180°)

\* Only available in 120v and 277v

\*\*Only available with M3, M5, B3 and B5 refractors

[CLICK HERE FOR POLE INFO.](#)

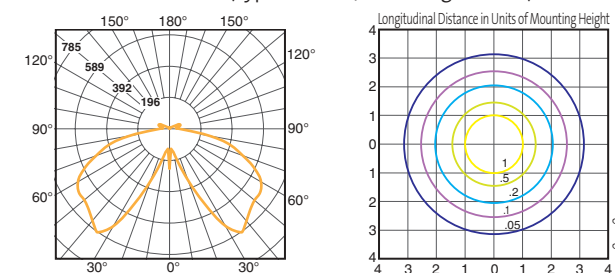
[CLICK HERE FOR MOUNTING ARM INFO.](#)

[CLICK HERE FOR LAMP INFO.](#)

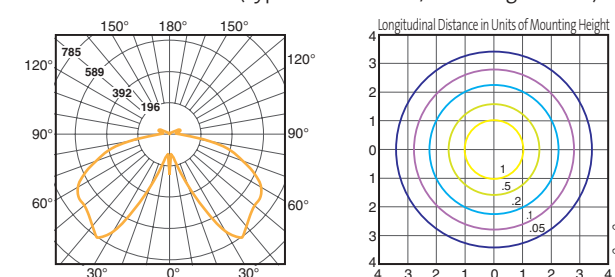
## Photometry

## Shielding Options

SA2-SP-1-H100 (Type V Cutoff/mounting ht. = 16')



SA2-WP-1-H100 (Type IV Semi-Cutoff/mounting ht. = 16')



- Silver Louver (SP) - Type V Cutoff**
  - "Dark Light" effect offers superior visual comfort
  - H100. Max Candela = 785 at 35° from vertical
- White Louver (WP) - Type V Cutoff**
  - Brightness Control with subtle source luminance
  - H100 Max. Candela = 834 at 55° from vertical
- MTR 150 (MR) - Type V Cutoff**
  - Minimum intensity at critical viewing angles
  - H100 Max. Candela = 893 at 55° from vertical
- MTR 180 (M3 or M5) - Type IV Semi-Cutoff or Type V Cutoff**
  - Minimum intensity at critical viewing angles
  - M3 H100 Max. Candela = 1476 at 60° from vertical
- Borosilicate Glass Refractor (B3) - Type III Non-Cutoff**
  - High efficiency for maximum spacing applications
  - H100 Max. Candela = 1749 at 77.5° from vertical
- Borosilicate Glass Refractor (B5) - Type V Non-Cutoff**
  - High efficiency for maximum spacing applications
  - H100 Max. Candela = 1012 at 72.5° from vertical

For more options, see our website at [www.selux.com/usa](http://www.selux.com/usa)