

M100 Linear Fluorescent Indirect Pendant and Wall Mount



Project: _____ **Type:** _____ **Qty:** _____

M11 _____

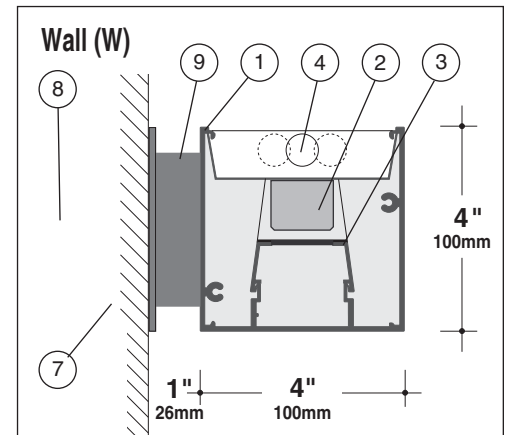
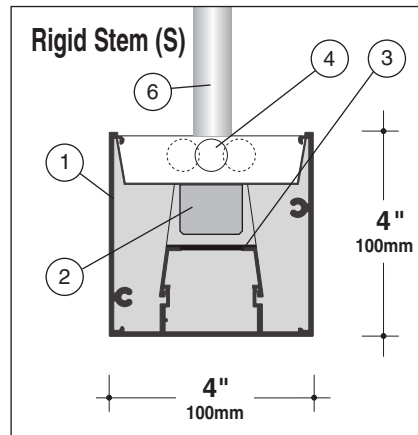
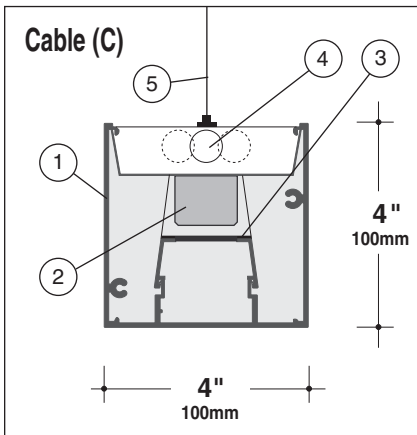
Fixture Series **Lamp Type** **Mounting** **Linear Footage** **Finish** **Voltage**

Options (refer to separate data sheets for ordering codes and details)

Fixture Series	Lamp Type	Mounting	Linear Footage	Finish	Voltage	Options
M11 M100 Indirect	1T5 F28T5	C Cable	004 4 foot	WH White	120	(qty) EM Stand-by Battery Pack ² (prefix quantity, i.e. - 5EM)
	2T5 (2x)F28/T5	S Swivel Stem	008 8 foot	BK Black	277	FS Single Fusing
	1T5HO F54T5HO	RS Rigid Stem	012 12 foot	SV Silver	347	DM Dimming ¹ (specify system)
	1T8 F032/T8	W Wall Mount	For other lengths, configurations, or continuous runs, indicate nominal length rounded to the next highest foot using three digits. Factory will supply layout drawings. Individual fixtures cannot be field joined.	SP Specify RAL#		DMA Digital Addressable Dimming ²
	TE Telescoping End Caps ¹				DL Suitable for Damp Locations	

¹Refer to page 84 for Telescoping End Caps details.

²Must be low profile ballasts (1 1/2" W x 1 3/16" H); consult factory for details.



1. Housing - Continuous, 6063-T5 extruded aluminum profile up to 16 feet long. Joined with Connector Plus Joining System, for ease of installation, and to assure a uniform appearance.

2. Ballast - Electronic, high power factor, class "P", type "A" sound rating. Specify 120v, 277v, or 347v. Ballast is factory pre-wired with leads to one end of fixture. Consult factory for ballast options.

3. Gear Tray - Precision formed with white painted finish. Gear tray installs as complete electrical unit and is held in place with knurled dress nuts. It is fully accessible from below ceiling.

4. Lamps - As noted (by others). Other lamp lengths or wattages available, consult factory.

5. 1/16" Aircraft Cable Suspension - Supplied with chrome gripper for easy adjustment. 48" max suspension from ceiling to top of luminaire. (See p.100 for more details.)

6. Ø5/8" Steel Swivel Stem or Rigid Stem Suspension - Swivel Stem provides 30° swivel rotation and can be cut in field; Rigid Stem can not be cut in field. 48" max suspension from ceiling to top of luminaire. (See p. 100 for more details.)

8. Ø 1/2" Threaded Rod and Mounting Hardware - To anchor End Cap Support Bracket/Wall Bracket, supplied and installed by others.

9. Wall Bracket - Aluminum Wall Bracket provided nominally every 4'. See layout pages for details.

Interior Luminaire Finish - Standard interior colors are White (WH), Black (BK) and Silver (SV). RAL colors (SP) are available, please specify RAL#.

7. Outlet box - (4" x 4") Supplied and installed by others.

SELUX Corp. © 2006
TEL: (845) 691-7723
FAX: (845) 691-6749
www.selux.com/usa
M11-01 (v5.0)

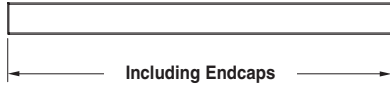


Union Made Affiliated
with IBEW Local 363

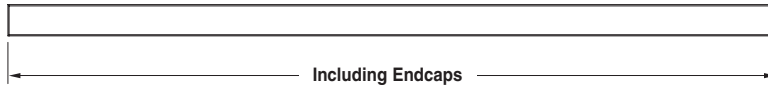
In a continuing effort to offer the best product possible, we reserve the right to change, without notice, specifications or materials that in our opinion will not alter the function of the product. Specification sheets found at www.selux.com/usa are the most recent versions and supercede all other printed or electronic versions.

M1I Surface / Pendant / Wall Layout Dimensions

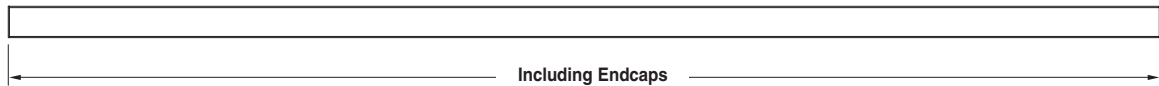
Nominal 4 foot individual - bottom view



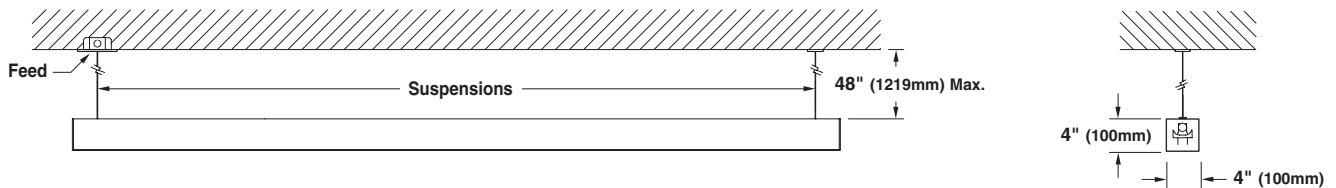
Nominal 8 foot individual - bottom view



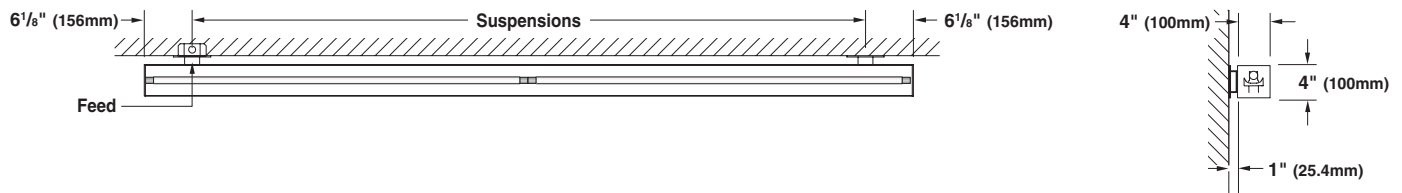
Nominal 12 foot individual - bottom view



Typical Pendant Mount - Side View



Typical Wall Mount - Top View



	T5 (1 or 2 lamp)			T8 (1 lamp)		
	Including Endplates	Pendant Suspensions	Wall Suspensions	Including Endplates	Pendant Suspensions	Wall Suspensions
4 foot individual	46.81" (1189mm)	49.46" (1256mm)	34.46" (876mm)	48.44" (1230mm)	42.08" (1069mm)	36.07" (916mm)
8 foot individual	93.22" (2368mm)	95.88" (2435mm)	80.88" (2054mm)	96.48" (2451mm)	90.12" (2289mm)	84.12" (2137mm)
12 foot individual	139.66" (3547mm)	142.28" (3614mm)	127.28" (3233mm)	144.52" (3671mm)	138.16" (3509mm)	132.15" (3357mm)

For other lengths, lamping, continuous runs or configurations please specify overall length (in feet), accessories desired and sketch/drawing of configuration. SELUX will detail project drawings upon order and supply submittal drawings for approval. Individual fixtures cannot be field joined. If you have any questions please contact SELUX customer service or applications engineering for assistance (1-800-SELUX-CS).