

Saturn Magnum

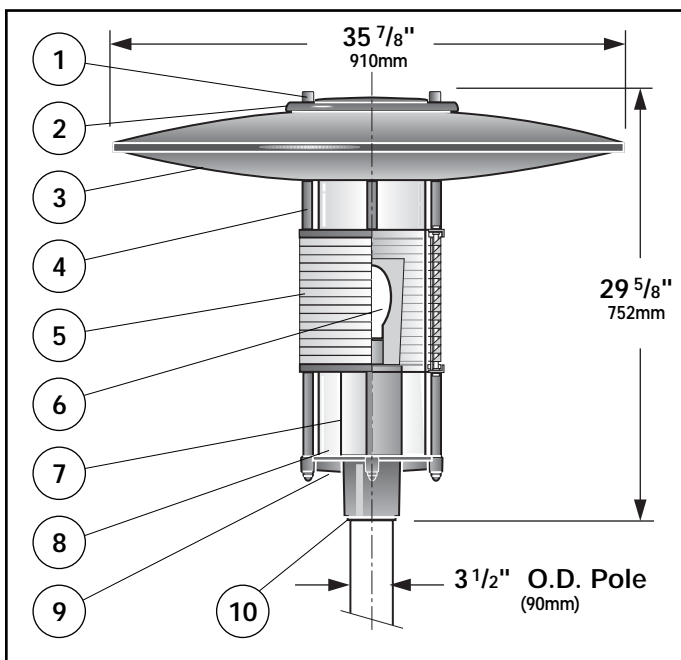


Project: _____

Type: _____ Qty: _____

SAMG	-	MR	-	_____	-	_____	-	_____	-	_____
Fixture Series		Shielding		Mounting		Lamp Type / Wattage		Finish		Voltage
_____	-	_____	-	_____	-	_____	-	_____	-	_____
Pole Series		Height		Finish		Options				

Series	Shielding	Mounting	Lamp Type / Wattage		Finish	Voltage	Options
SAMG Saturn Magnum	MR Type V MTR* 261 Refractor Refractor is an integral part of the fixture and is not an option.	1 Single 2 Double W Wall Mount	<u>Metal Halide</u>		WH White BK Black BZ Bronze SV Silver SP Specify RAL#	120 208 240 277 347	HS House Side Shield
			<u>HPS</u>				
			H050** 50w	S050** 50w			
			H070 70w	S070 70w			
			H100 100w	S100 100w			
H150 150w	S150 150w						
H175 175w							
* US Patent No. 4,669,034		** Only available in 120v and 277v.					



1. Cover Set Screw - Stainless steel hex screws provide attachment of fixture cover and support to connection rods. Loosening these two screws allows removal of fixture cover without tools.

2. Fixture Cover - Aluminum cover has industrial felt gasketing for air circulation. Cover removes for lamp access.

3. Fixture Hood - Double spun ellipsoidal aluminum shade, painted silver.

4. Cover Support - Four stainless steel supports connect the hood, refractor, and base.

5. Shielding - Integral Type V MTR 261 refractor.

6. Lamp - One coated, base down, medium base ED-17 metal halide up to 175w or high pressure sodium up to 150w. Lamp provided by others.

7. Electrobloc - Extruded aluminum tubing houses core and coil ballast. Pulse rated porcelain, medium base socket is mounted to die-cast aluminum socket cup for maximum heat dissipation and is pre-wired to ballast. Socket cup attaches to electrobloc with two stainless steel screws and is easily removable for ballast service. Consult factory for more detailed ballast information.

8. Diffuser - Clear, U.V. stabilized, acrylic with a minimum wall thickness of 1/8". (3mm)

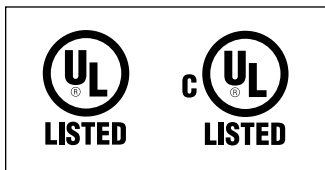
9. Gasketing - Continuous molded neoprene gasket provides weatherproofing, dust, and insect control at diffuser base.

10. Pole Fitter - Self-leveling, die-cast aluminum, fitter base secured to pole with two, stainless steel, Allen head set screws. 3 1/2" (90mm) I.D. external fitter for 3 1/2" (90mm) O.D. poles.

Exterior Luminaire Finish - SELUX utilizes a high quality Polyester Powder Coating. All SELUX luminaires and poles undergo a five stage intensive pretreatment process where product is thoroughly cleaned, phosphated and sealed. SELUX powder coated products provide excellent salt and humidity resistance as well as ultra violet resistance for color retention. All products are tested in accordance with test specifications for coatings from ASTM and PCI.

Standard exterior colors are White (WH), Black (BK), Bronze (BZ), and Silver (SV). RAL colors (SP) are available, please specify RAL#.

In a continuing effort to offer the best product possible, we reserve the right to change, without notice, specifications or materials that in our opinion will not alter the function of the product. Specification sheets found at www.selux.com/usa are the most recent versions and supercede all other printed or electronic versions.



Union Made
Affiliated with
IBEW Local 363

SELUX Corp. © 2006
PO Box 1060, 5 Lumen Lane
Highland, NY 12528
TEL (845) 691-7723
FAX (845) 691-6749
E-mail: seluxus@selux.com
Web Page: www.selux.com/usa
SAMG-0406-01 (ss-V3.2)

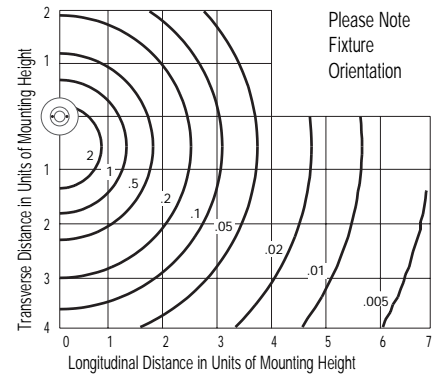
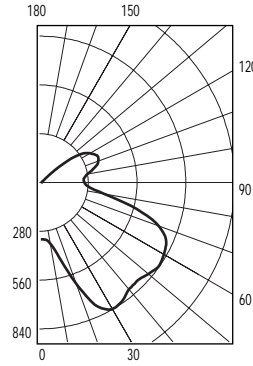
Saturn Magnum



MTR Refractor

Catalog # SAMG-MR-1-H100
Report # SX 7670

- Innovative multi-prisms for total reflection incorporates light-bending characteristics of a prism. US patent no. 4,669,034.
- Directs light precisely with minimum intensity at critical viewing angles.
- Maximum candela of 840.0 at 30° from vertical.
- IES classification, Type V Semi-cutoff.



HID Lamp Prorate Table (ED-17 Coated, Base-Down Lamp)					
High Pressure Sodium			Metal Halide		
Wattage	Factor	Initial Lumens	Wattage	Factor	Initial Lumens
50	0.47	3700	50	0.44	3400
70	0.74	5800	70	0.64	5000
100	1.13	8800	100	1.00	7800
150	1.86	14500	150	1.60	12500
			175	1.79	14000

Conversion Chart	
Values based on 14' mounting height.	
Mounting Height	Multiply
12'	1.36
14'	1.00
16'	0.76
18'	0.60

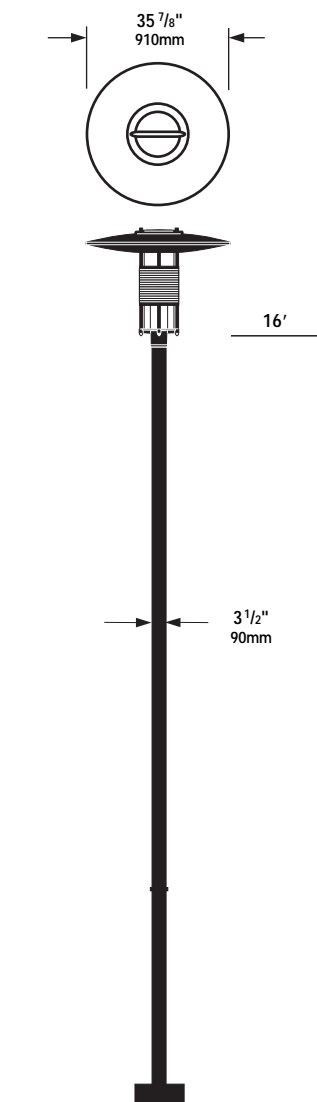
SELUX Corp. © 2006
PO Box 1060, 5 Lumen Lane
Highland, NY 12528
TEL (845) 691-7723
FAX (845) 691-6749
E-mail: seluxus@selux.com
Web Page: www.selux.com/usa
SAMG-0406-02

In a continuing effort to offer the best product possible, we reserve the right to change, without notice, specifications or materials that in our opinion will not alter the function of the product. Specification sheets found at www.selux.com/usa are the most recent versions and supersede all other printed or electronic versions.

Mounting

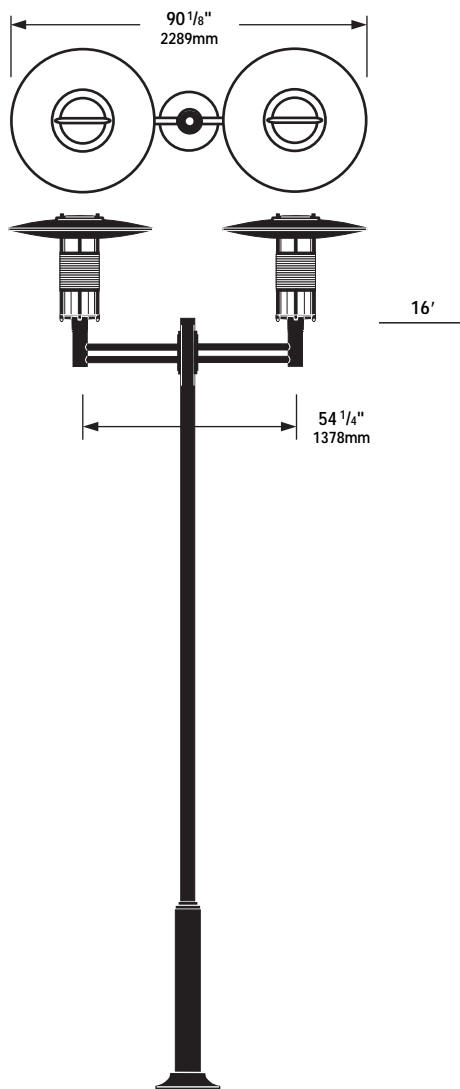
Single

Die-cast aluminum fitter base secured to pole with two stainless steel Allen head set screws.



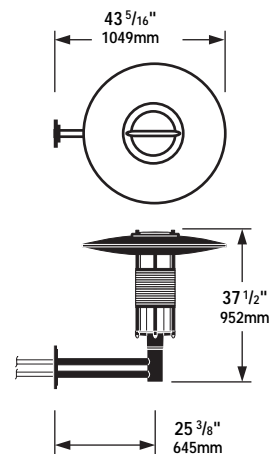
Double

Die-cast aluminum double luminaire mounting arm secured to pole with four stainless steel Allen head set screws. Outer slip fitter for 3 1/2" tenon.



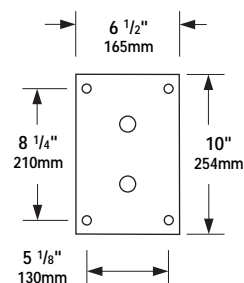
Wall

Die-cast aluminum double round wall mount arm. Secured to wall with 1/4" diameter threaded fasteners (by others).



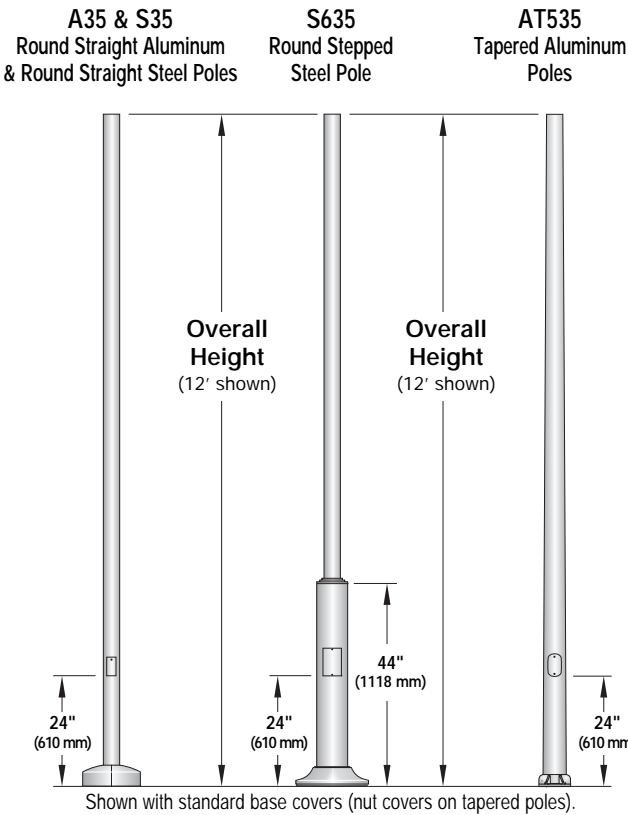
Wall Arm Mounting Detail

(Conduit and mounting hardware by others.)

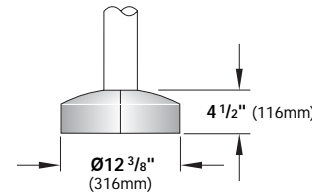


Pole Information

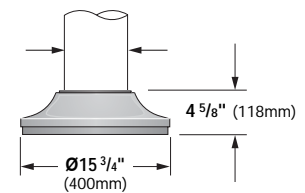
Refer to A35, S635, S35, or AT535-AT635 Pole specification sheets for construction details, anchorage information and additional options.



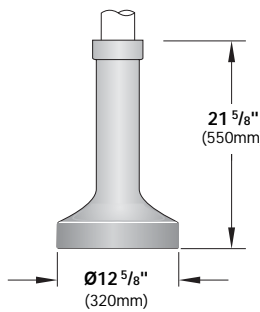
Straight Poles (A35 & S35)
BC5 Standard Base Cover
 Two-piece cast aluminum



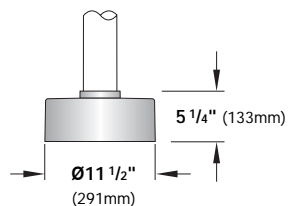
Stepped Steel Pole (S635)
BC6 Standard Base Cover
 One-piece cast aluminum



BC1 Optional Base Cover
(A35 & S35) One-piece cast aluminum



BC4 Optional Base Cover
(A35 & S35) One-piece cast aluminum



Pole Series	Bolt Circle	EPA Information (ft ²)					Height	Finish	Options
		70 mph	80 mph	90 mph	100 mph	110 mph			
S635 3 1/2" Diameter Stepped Steel Pole	9"	37.6	28.7	22.3	17.5	14.4	12 12 ft.	WH White	BC1 Decorative Cast Aluminum Base Cover (for A35 & S35 poles only)
A35 3 1/2" Diameter Straight Aluminum Pole	7 3/4"	9.9	7.3	5.4	4.0	3.1		BK Black	
S35 3 1/2" Diameter Straight Steel Pole	7 3/4"	9.1	6.7	4.9	3.6	2.8		BZ Bronze	
AT535 5" to 3 1/2" Tapered Aluminum Pole	8 1/2"	19.4	14.4	10.9	8.6	6.9			
S635 3 1/2" Diameter Stepped Steel Pole	9"	31.7	24.2	18.6	14.6	11.9	14 14 ft.	SV Silver	BC4 One-piece Cast Aluminum Base Cover (for A35 & S35 poles only)
A35 3 1/2" Diameter Straight Aluminum Pole	7 3/4"	8.0	5.8	4.2	3.0	2.2			
S35 3 1/2" Diameter Straight Steel Pole	7 3/4"	7.3	5.3	3.8	2.7	1.9		SP Specify RAL#	
AT535 5" to 3 1/2" Tapered Aluminum Pole	8 1/2"	12.9	9.4	7.1	5.5	4.4			
S635 3 1/2" Diameter Stepped Steel Pole	9"	21.7	15.8	12.3	9.6	7.6	16 16 ft.		REC GFCI Receptacle with weather-proof cover*
S35 3 1/2" Diameter Straight Steel Pole	7 3/4"	4.4	2.8	1.9	1.2	0.6			
AT535 5" to 3 1/2" Tapered Aluminum Pole	8 1/2"	10.7	7.7	5.6	4.2	3.3			
AT535 5" to 3 1/2" Tapered Aluminum Pole	8 1/2"	11.1	7.8	5.6	4.2	3.2			
							18 18 ft.		PCT Photocell Tenon

Other pole configurations available, consult factory.

EPA Calculations allow for 1.3 Gust Factor

Effective Projected Area of Single Luminaire = 1.30 ft² (0.12m²) / Weight of Luminaire = 50.0 lbs (22.7kg)

Effective Projected Area of Double Luminaire = 3.20 ft² (0.30m²) / Weight of Double Luminaire (includes arms) = 149.0 lbs (67.6kg)