

CDO Ovalette



Project: _____

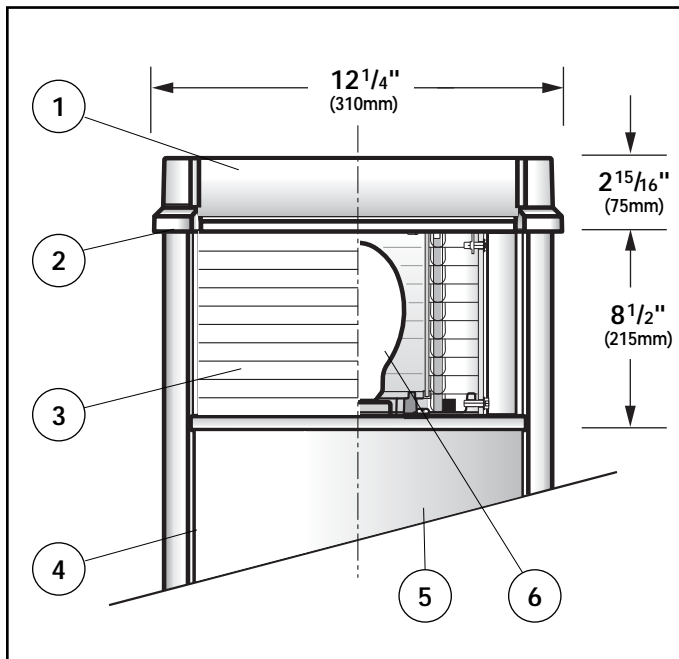
Type: _____ **Qty:** _____

CDOB - _____ - _____ - _____ - _____
 Fixture Series Height Lamp Type / Wattage Finish Voltage

Fixture Series	Height	Lamp Type / Wattage			Finish	Voltage
CDOB CDO Ovalette	2 2' (.6m)	<u>Metal Halide</u>	<u>HPS</u>	<u>Fluorescent</u>	WH White	120
	3 3' (.9m)	H050* 50w	S050* 50w	F32** 32w	BK Black	208
	4 4' (1.2m)	H070 70w	S070 70w	F42** 42w	BZ Bronze	240
	or specify custom height	H100 100w	S100 100w		SV Silver	277
W Wall Mount				SP Specify RAL#	347	

*Only available in 120v and 277v

**Not available in 208v and 240v



1. Fixture Cap - Die-cast aluminum cap.

2. Gasketing - Continuous gaskets provide weather-proofing, dust, and insect control at shielding base, fixture cover and between MTR rings.

3. Shielding - Injection-molded acrylic multi-prisms for total reflection (MTR). MTR rings have a wall thickness of 0.591" (15mm) and are patterned after the light bending characteristics of a prism. (US Patent 4,669,034) Secured to die-cast aluminum fitter.

4. Support Profiles - Extruded 6063-T5 aluminum.

5. Cover Profile - Extruded 6063-T5 aluminum.

6. Lamp - Enclosed in borosilicate glass cylinder. One coated, base down, medium base ED-17 metal halide up to 100w; high pressure sodium up to 100w; or triple tube, four pin GX24q-3 for 32w and GX24q-4 for 42 compact fluorescent. Lamp provided by others.

8. Fixture Base - (Not shown) Galvanized steel base is provided with 15" (380mm) galvanized anchor bolts and mounting template. (2) Galvanized steel uprights are welded to base and provide support and mounting surface for fixture. Designed for 120 mph with 1.3 gust wind load.

Exterior Luminaire Finish - SELUX utilizes a high quality Polyester Powder Coating. All SELUX luminaires and poles undergo a five stage intensive pretreatment process where product is thoroughly cleaned, phosphated and sealed. SELUX powder coated products provide excellent salt and humidity resistance as well as ultra violet resistance for color retention. All products are tested in accordance with test specifications for coatings from ASTM and PCI.

Standard exterior colors are White (WH), Black (BK), Bronze (BZ), and Silver (SV). RAL colors (SP) are available, please specify RAL#.

7. Access Door - (Not shown) Flush aluminum hand hole cover with stainless steel, vandal resistant fasteners.



Union Made
 Affiliated with
 IBEW Local 363

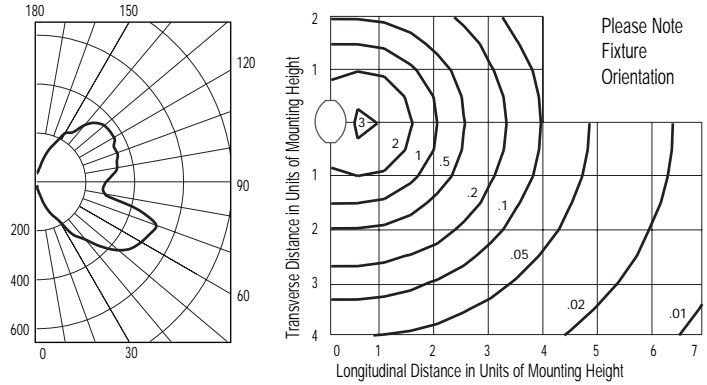
SELUX Corp. © 2003
 PO Box 1060, 5 Lumen Lane
 Highland, NY 12528
 TEL: (845) 691-7723
 FAX: (845) 691-6749
 E-mail: seluxus@selux.com
 Web Site: www.selux.com/usa
 CDOB-0403-01 (ss-V3.21)

In a continuing effort to offer the best product possible, we reserve the right to change, without notice, specifications or materials that in our opinion will not alter the function of the product. Specification sheets found at www.selux.com/usa are the most recent versions and supersede all other printed or electronic versions.

MTR Refractor

Catalog # CDOB-3-H70
Report # SX 7981

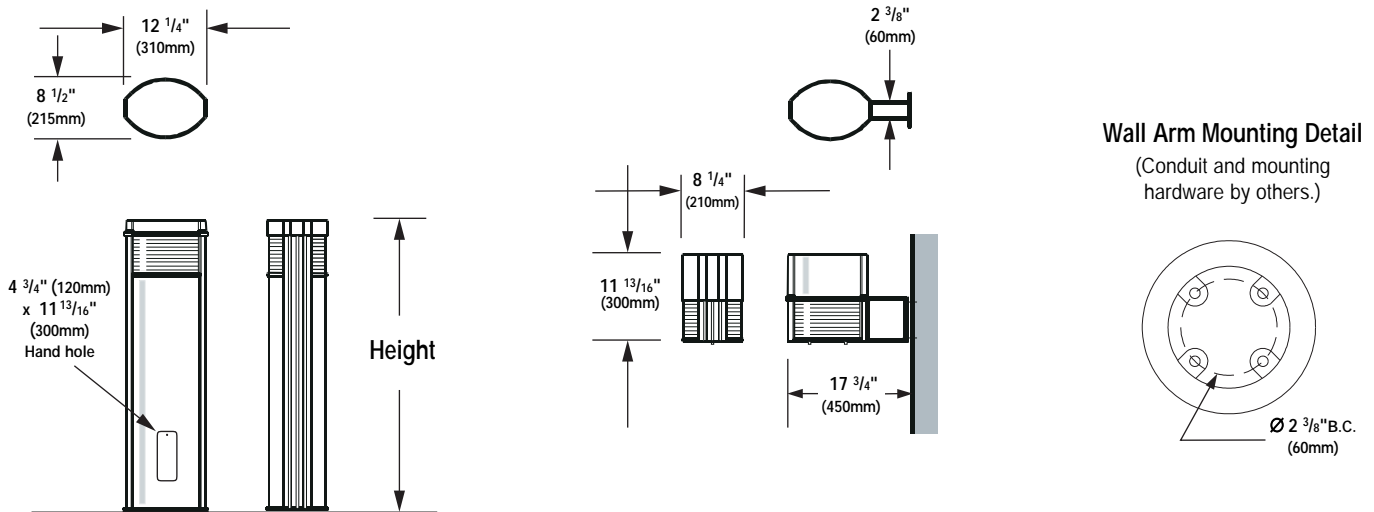
- Innovative multi-prisms for total reflection incorporates light-bending characteristics of a prism. US patent no. 4,669,034.
- Directs light precisely with minimum intensity at critical viewing angles.
- Blends efficiency with visual comfort.
- Maximum candela of 470 at 70° from vertical.



Lamp Prorate Table								
High Pressure Sodium			Metal Halide			Fluorescent		
Wattage	Factor	Initial Lumens	Wattage	Factor	Initial Lumens	Wattage	Factor	Initial Lumens
50	0.74	3700	50	0.68	3400	32	0.48	2400
70	1.16	5800	70	1.00	5000	42	0.64	3200
100	1.76	8800	100	1.56	7800			

Conversion Chart	
Values based on 3' (.9m) mounting height	
Mounting Height	Multiply
2.0' (.6m)	2.25
2.5' (.8m)	1.44
3.0' (.9m)	1.00
3.5' (1.1m)	0.73
4.0' (1.2m)	0.56

Profiles



Anchorage Information

Stub conduit 4" above footing (by others). Suggested anchor bolt projection 2 1/2 - 3" (64 - 76mm). Concrete footing designed and installed by others. Conduit opening = \varnothing 4 1/2" (114mm). Supplied with four, 3/4 x 15" (19 x 381mm) anchor bolts and template.

NOTE: Determine orientation of fixture before setting anchor bolts.

