

# Saturn Cutoff

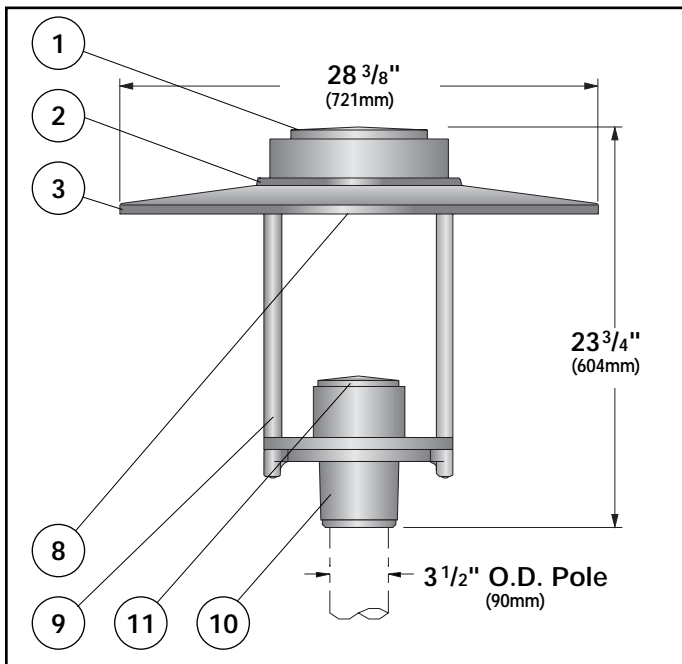


Project: \_\_\_\_\_

Type: \_\_\_\_\_ Qty: \_\_\_\_\_

SAC	-	-	-	-	-	-	-
Fixture Series	Reflector	Mounting	Lamp Type/Wattage	Lamp Color	Finish	Voltage	Options
_____	_____	_____	_____	_____	_____	_____	_____
Pole Series	Height	Finish	Options				

Series	Reflector	Mounting	Lamp Type	Lamp Color	Finish	Voltage	Options
SAC Saturn Cutoff	R2 Type II Aluminum reflector	1 Single	<u>Metal Halide</u>	830 3000 K	WH White	120	DS Ballast cover painted
	R5 Type V Aluminum reflector	2 Double	H035T6 35W T6 G12	NOL Lamp not included	BK Black	208	Matte Black
		W Wall	H070T6 70W T6 G12		BZ Bronze	240	for Full Cutoff distribution
			H150T6 150W T6 G12		SV Silver	277	
					SP Specify RAL#	347	



**1. Fixture Cover** - Die cast aluminum cover removes easily for access to field rotatable optics (rotatable 90 degrees).

**2. Gasketing** - Continuous gasket provides weatherproofing, dust and insect control at all fixture connections.

**3. Fixture Hood** - Aluminum shade with white painted interior.

**4. Reflector** - (Not shown) Precision formed, completely sealed aluminum reflector system with a Type II or Type V distribution.

**5. Lamp** - (Not shown) Choose between 35 to 150 watt T6 (or T7.5) G12 base ceramic metal halide lamps. Fixtures supplied with 3000 degree K lamps, other color temperatures are available, please consult factory.

**6. Socket** - (Not shown) Pulse rated porcelain G12 base socket. Socket is pre-wired to ballast at factory.

**7. Ballast** - (Not shown) A high power factor, open core and coil ballast regulates voltage for H.I.D. lamp. Consult factory for detailed ballast information.

**8. Access Door** - Hinged tempered glass lens, secured to fixture with two tool-less latches. Lens gasketed to die cast aluminum shade stabilizer.

**9. Hood Supports** - Two aluminum arms support shade and optic assembly and attach to the die cast aluminum pole fitter.

**10. Pole Fitter** - Self-leveling, die-cast aluminum, fitter base secured to pole with two, stainless steel, Allen head set screws. Fitter for 3 1/2" (90mm) O.D. poles.

**11. Ballast cover** - Die cast aluminum ballast cover removes easily for access to ballast. Ballast secured to removable tray for ease of maintenance.

**Exterior Luminaire Finish** - SELUX utilizes a high quality Polyester Powder Coating. All SELUX luminaires and poles undergo a five stage intensive pretreatment process where product is thoroughly cleaned, phosphated and sealed. SELUX powder coated products provide excellent salt and humidity resistance as well as ultra violet resistance for color retention. All products are tested in accordance with test specifications for coatings from ASTM and PCI.

Standard exterior colors are White (WH), Black (BK), Bronze (BZ), and Silver (SV). Custom RAL colors are available upon request. Please provide RAL#.

In a continuing effort to offer the best product possible, we reserve the right to change, without notice, specifications or materials that in our opinion will not alter the function of the product. Specification sheets found at [www.selux.com/usa](http://www.selux.com/usa) are the most recent versions and supercede all other printed or electronic versions.



**Union Made  
Affiliated with  
IBEW Local 363**

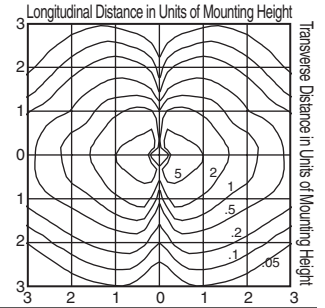
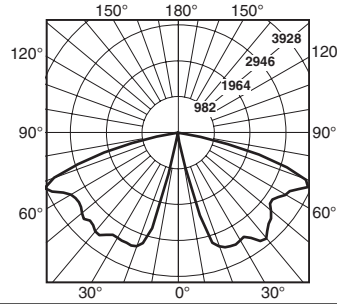
SELUX Corp. © 2004  
 PO Box 1060, 5 Lumen Lane  
 Highland, NY 12528  
 TEL: (845) 691-7723  
 FAX: (845) 691-6749  
 E-mail: [seluxus@selux.com](mailto:seluxus@selux.com)  
 Web Site: [www.selux.com/usa](http://www.selux.com/usa)  
 SAC-1104-01 (ss-V1.11)

# Saturn Cutoff



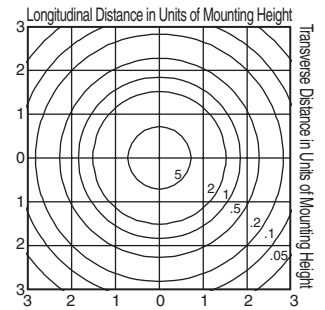
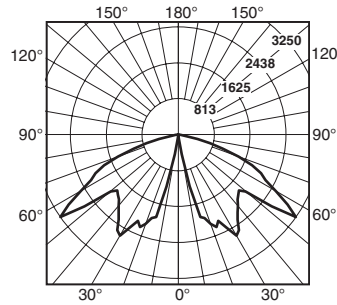
**Type II Reflector**  
**150 Watt T6 Metal Halide**  
 Catalog #SAC-R2-1-150T6  
 Report # 18068

- Maximum candela of 3928.3 at 67.5° from vertical
- IES classification: Type II Full Cutoff
- 150W Ceramic Metal Halide lamp, G12 T6 socket



**Type V Reflector**  
**150 Watt T6 Metal Halide**  
 Catalog #SAC-R5-1-150T6  
 Report # 18069

- Maximum candela of 3250.3 at 55° from vertical
- IES classification: Type V Full Cutoff
- 150W Ceramic Metal Halide lamp, G12 T6 socket



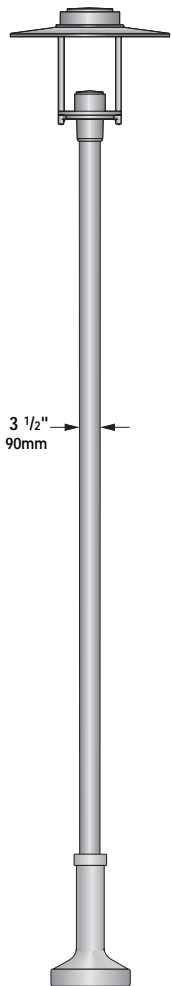
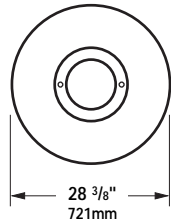
HID Lamp Prorate Table (G12 Base T6 Metal Halide)		
Wattage	Factor	Initial Lumens
35	0.24	3300
70	0.47	6600
150	1.00	14000

Conversion Chart Values based on 16' mounting height.							
Mounting Height	8'	10'	12'	14'	16'	18'	20'
Multiply	4.0	2.56	1.78	1.31	1.00	0.79	0.64

## Mounting

### Single

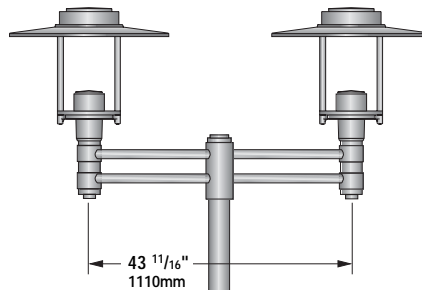
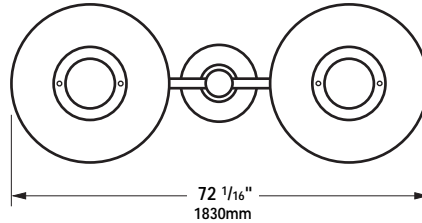
Die-cast aluminum fitter base secured to pole with two stainless steel, Allen head set screws.



Pole Height  
(12' shown)

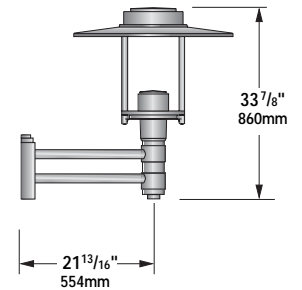
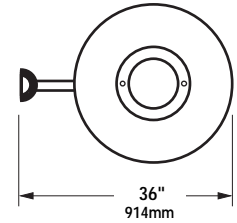
### Double

Die-cast aluminum double luminaire mounting arm secured to pole with four stainless steel, Allen head set screws. Outer slip fitter for 3 1/2" tenon.



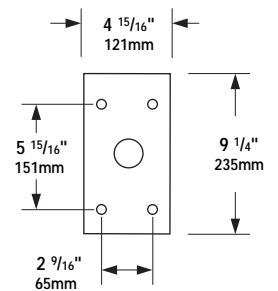
### Wall

Die-cast aluminum double round wall mount arm. Secured to wall with 1/4" diameter threaded fasteners (by others).



### Wall Arm Mounting Detail

(Conduit and mounting hardware by others.)



# Saturn Cutoff

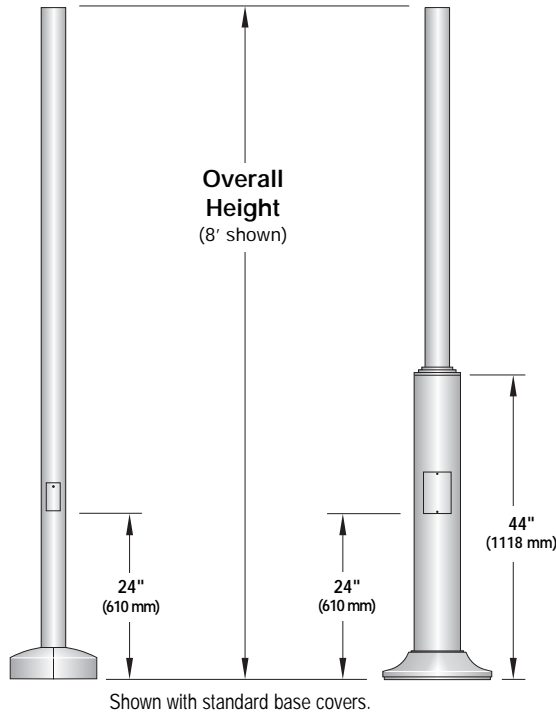


## Pole Information

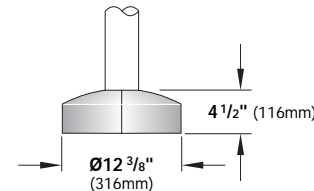
Refer to A35, S635, or S35 Pole specification sheets for construction details, anchorage information and additional options.

**A35 & S35**  
Round Straight Aluminum  
& Round Straight Steel Poles

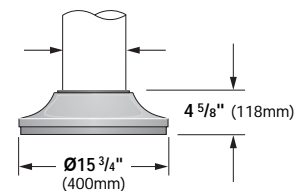
**S635**  
Round Stepped  
Steel Pole



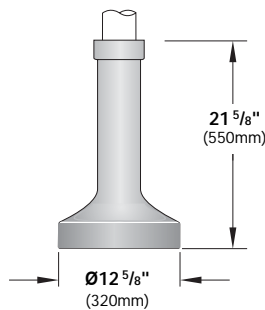
**Straight Poles (A35 & S35)**  
**BC5 Standard Base Cover**  
Two-piece cast aluminum



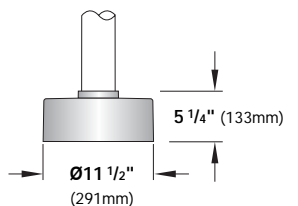
**Stepped Steel Pole (S635)**  
**BC6 Standard Base Cover**  
One-piece cast aluminum



**BC1 Optional Base Cover**  
**(A35 & S35)** One-piece cast aluminum



**BC4 Optional Base Cover**  
**(A35 & S35)** One-piece cast aluminum



Pole Series	Bolt Circle	EPA Information (ft <sup>2</sup> )					Height	Finish	Options
		70 mph	80 mph	90 mph	100 mph	110 mph			
<b>S635</b> 3 1/2" Diameter Stepped Steel Pole	9"	57.6	44.3	34.6	27.5	22.8	8 8 ft.	WH White BK Black	BC1 Decorative Cast Aluminum Base Cover (for A35 & S35 poles only)
<b>A35</b> 3 1/2" Diameter Straight Aluminum Pole	7 3/4"	16.1	12.2	9.4	7.3	5.9			
<b>S35</b> 3 1/2" Diameter Straight Steel Pole	7 3/4"	14.8	11.3	8.6	6.7	5.4			
<b>S635</b> 3 1/2" Diameter Stepped Steel Pole	9"	45.6	35.0	27.3	21.6	17.8	10 10 ft.	BZ Bronze SV Silver	BC4 One-piece Cast Aluminum Base Cover (for A35 & S35 poles only)
<b>A35</b> 3 1/2" Diameter Straight Aluminum Pole	7 3/4"	12.4	9.3	7.1	5.4	4.3			
<b>S35</b> 3 1/2" Diameter Straight Steel Pole	7 3/4"	11.4	8.6	6.5	4.9	3.9			
<b>S635</b> 3 1/2" Diameter Stepped Steel Pole	9"	37.6	28.7	22.3	17.5	14.4	12 12 ft.	SP Specify RAL#	REC GFCI Receptacle with weather-proof cover*
<b>A35</b> 3 1/2" Diameter Straight Aluminum Pole	7 3/4"	9.9	7.3	5.4	4.0	3.1			
<b>S35</b> 3 1/2" Diameter Straight Steel Pole	7 3/4"	9.1	6.7	4.9	3.6	2.8			
<b>S635</b> 3 1/2" Diameter Stepped Steel Pole	9"	31.7	24.2	18.6	14.6	11.9	14 14 ft.		PCT Photocell Tenon
<b>A35</b> 3 1/2" Diameter Straight Aluminum Pole	7 3/4"	8.0	5.8	4.2	3.0	2.2			
<b>S35</b> 3 1/2" Diameter Straight Steel Pole	7 3/4"	7.3	5.3	3.8	2.7	1.9			
<b>S635</b> 3 1/2" Diameter Stepped Steel Pole	9"	21.7	15.8	12.3	9.6	7.6	16 16 ft.		
<b>A35</b> 3 1/2" Diameter Straight Aluminum Pole	7 3/4"	4.9	3.2	2.2	1.4	.08			
<b>S35</b> 3 1/2" Diameter Straight Steel Pole	7 3/4"	4.4	2.8	1.9	1.2	0.6			

Other pole configurations available, consult factory.

EPA Calculations allow for 1.3 Gust Factor

Effective Projected Area of Single Luminaire = 0.6 ft<sup>2</sup> (0.06m<sup>2</sup>) / Weight of Luminaire = 35.0 lbs (15.9kg)

Effective Projected Area of Double Luminaire = 1.92 ft<sup>2</sup> (0.18m<sup>2</sup>) / Weight of Double Luminaire (includes arms) = 94.0 lbs (42.6kg)

SELUX Corp. © 2004

PO Box 1060, 5 Lumen Lane

Highland, NY 12528

SAC-1104-04

TEL: (845) 691-7723 FAX: (845) 691-6749

E-mail: seluxus@selux.com

Web Site: www.selux.com/usa

In a continuing effort to offer the best product possible, we reserve the right to change, without notice, specifications or materials that in our opinion will not alter the function of the product. Specification sheets found at www.selux.com/usa are the most recent versions and supercede all other printed or electronic versions.