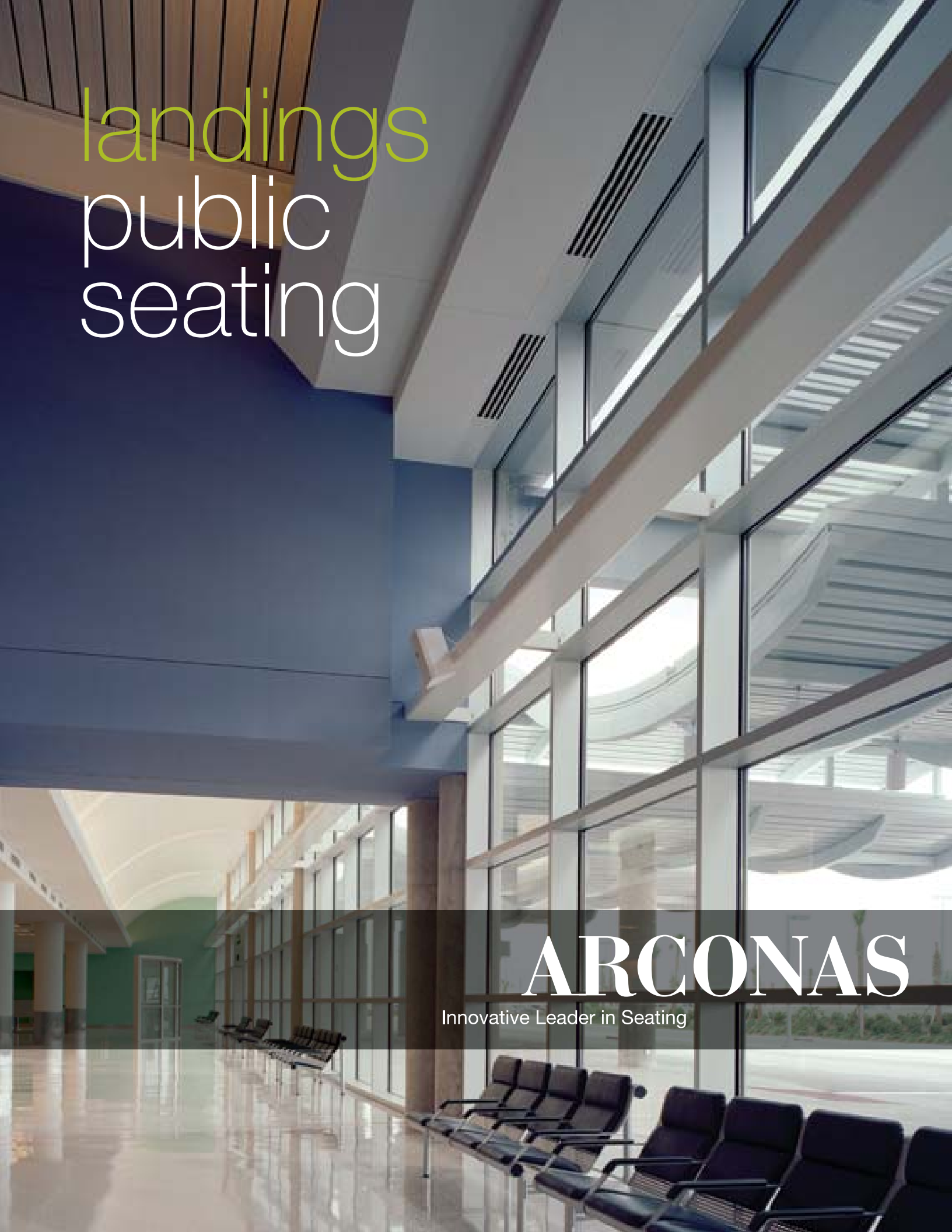
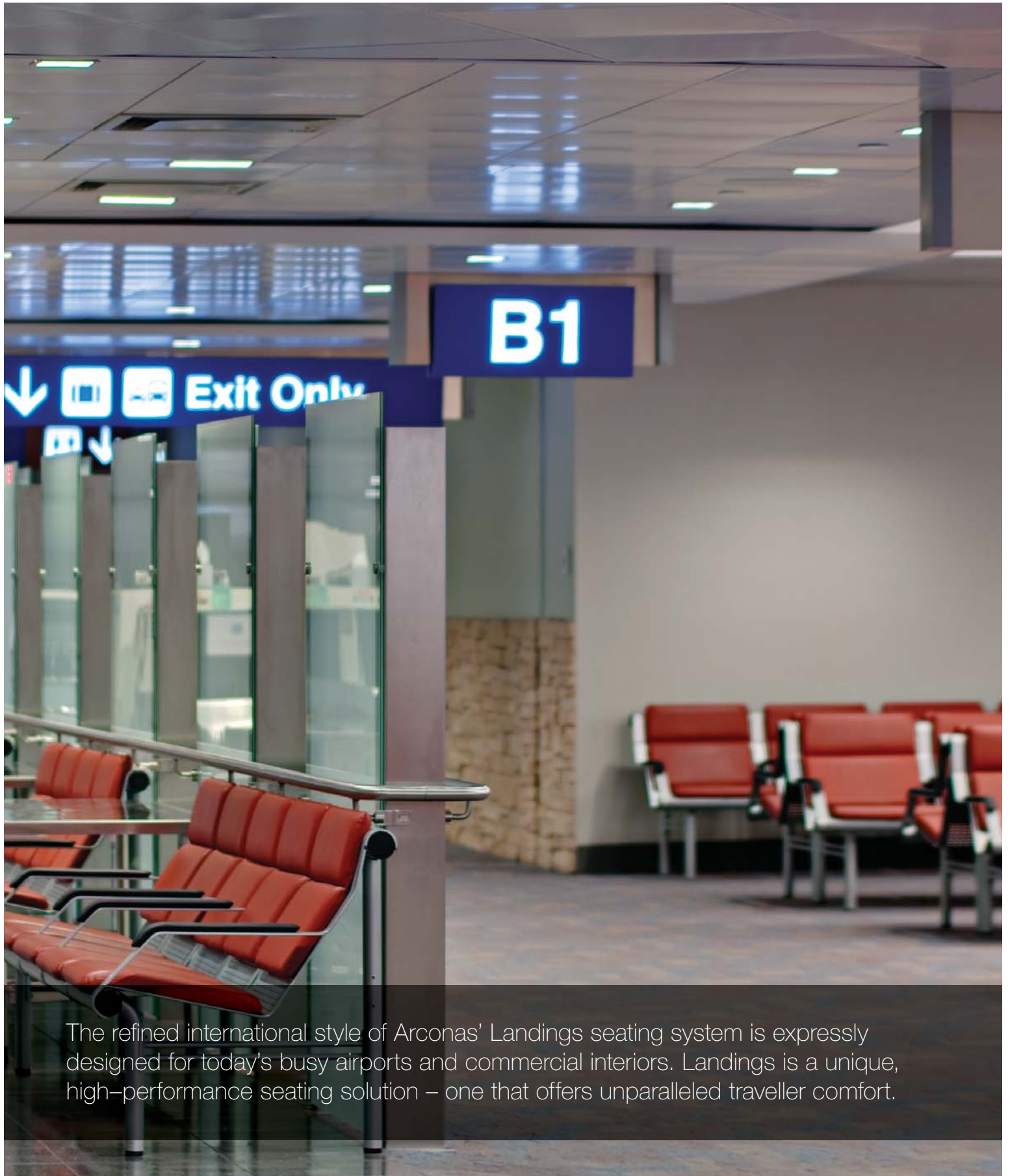


landings  
public  
seating

ARCONAS

Innovative Leader in Seating





The refined international style of Arconas' Landings seating system is expressly designed for today's busy airports and commercial interiors. Landings is a unique, high-performance seating solution – one that offers unparalleled traveller comfort.

### Select Installations:

- BC Ferries, BC
- Corpus Christi International Airport, TX (cover)
- Denver Facility Airport, CO
- JFK International Airport (Terminal One), NY
- Salt Lake City International Airport, UT
- Tuscon International Airport, AZ (inside cover)
- Vancouver International Airport, BC



#### Design

Landings' flexible, efficient design fits into any high-impact setting. The modular system offers two to five-seat units with optional arms, drink holders and end tables as well as a coordinating bench, all available for indoor or outdoor use. Ergonomic contours, 23" (58 cm) wide seat modules with shoulder-height support and upholstered pads provide a relaxed sit for travellers. We offer upholstery and standard powder coat options to suit any environment and budget.

#### High Performance

Landings is made to last. Post and dual-beam tubular steel construction ensures stability and endurance. Polyester powder coat finishes, laminate tabletops and dyed-through urethane arm pads assure durability. Landings is protected by Arconas' comprehensive warranty.

#### Environmentally Friendly

Creating environmentally friendly seating is a tradition at Arconas. Our foam contains no harmful CFCs and emits no harmful fumes. Our manufacturing process creates minimal waste. All foam and metal components are 100% recyclable.

#### Safety and Security

Safety and security are essential at airports and other transportation terminals. Landings' open design provides security personnel with clear sightlines, while its stable construction and rounded metal edges assure passenger safety.

#### Installation and Configuration

Every space is different, so Landings is designed for flexibility and ease of installation. A wide range of seat configurations are possible using Landings' back-to-back and concealed in-line beam connectors. Units can be fixed to the floor if needed.

#### Easy Maintenance

Landings stands the test of time. Its modular design means fewer parts – ensuring easy maintenance over its lifetime. Cushions can be removed and replaced quickly on-site. Minimal floor contact and lots of clear space underneath simplify floor cleaning.





# landings

## designer arconas

The Landings system of public seating. Post and dual-beam construction for stability and endurance. Contoured seats with extended back rests for comfort. Available in single rows or back-to-back units with optional arms, drink holders and end tables.

## seating units, tables & benches

### construction

#### Supports

-- Tubular steel

#### Seats

-- Perforated steel

#### Arms

-- Steel with molded urethane arm pad

End Caps and Glides

-- Nylon

#### Tables

-- Laminate top on steel pan

### options

-- Back-to-back connector

-- Arms

-- Drink Holder

-- Fix unit to floor

-- In-line beam connector

### upholstered pad options

-- Upholstered seat and back pads

-- Seat pads only

-- Without pads

### finishes

#### metal finishes

Powdercoat

-- Arconas standard powder coat finishes

-- Clear topcoat available

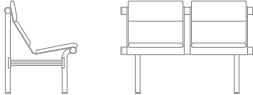
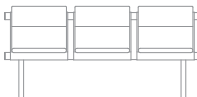
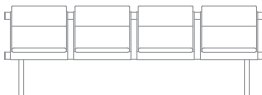
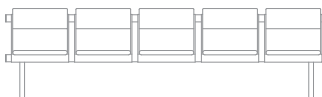


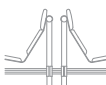
-- Zinc plated undercoat available for outdoor use

#### tabletops

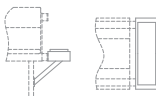

Laminate

-- Arconas standard colours





## seating units

LAND2S <b>two seat unit</b>	w 48" d 28.5" h 32.5" sh 17.5"	122 cm 72 cm 83 cm 44 cm	
LAND3S <b>three seat unit</b>	w 71" d 71" h 32.5" sh 17.5"	180 cm 72 cm 83 cm 44 cm	
LAND4S <b>four seat unit</b>	w 94" d 28.5" h 32.5" sh 17.5"	239 cm 72 cm 83 cm 44 cm	
LAND5S <b>five seat unit</b>	w 117" d 28.5" h 32.5" sh 17.5"	297 cm 72 cm 83 cm 44 cm	
LANDARM <b>arm, black arm pad</b>	w 2" d 28.5" ah 24"	5 cm 72 cm 61 cm	
LANDDH <b>arm, black arm pad with drink holder</b>	w 2" d 28.5" ah 24"	5 cm 72 cm 61 cm	
LANDBTOB <b>back-to-back connector</b> set of two	adds 4" (10 cm) width to two single rows		

## tables

LANDTAB9 9"w end table	w 9" d 28.5" h 17.5"	23 cm 72 cm 44 cm	
LANDTAB21 21"w end table	w 21" d 28.5" h 17.5"	53 cm 72 cm 44 cm	

## benches

LAND2B <b>two seat bench unit</b>	w 44" d 29.75" h 17.5"	112 cm 76 cm 45 cm	
LAND3B <b>three seat bench unit</b>	w 67" d 29.75" h 17.5"	170 cm 76 cm 45 cm	
LAND4B <b>four seat bench unit</b>	w 90" d 29.75" h 17.5"	229 cm 76 cm 45 cm	
LAND5B <b>five seat bench unit</b>	w 113" d 29.75" h 17.5"	287 cm 76 cm 45 cm	

Airport  
Justice  
Healthcare  
Education  
Transportation  
Government  
Commercial

5700 Keaton Crescent  
Mississauga, Ontario  
Canada L5R 3H5

Telephone +1 (905) 272-0727  
Toll free +1 (800) 387-9496  
Facsimile +1 (905) 897-7470

**ARCONAS**  
Innovative Leader in Seating