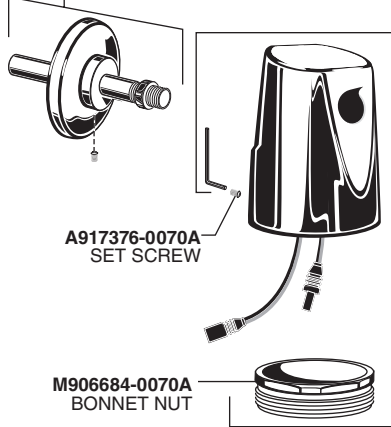


## SELECTRONIC® AC POWERED PROXIMITY EXPOSED URINAL FLUSH VALVE 0.125 0.25 0.5 & 1.0 GPF

### MODEL NUMBERS

6061.101	6061.051	6061.025	6061.013
6062.101	6062.051	6062.025	6062.013

M964120-0020A  
ESCUTCHEON &  
CONDUIT ASSEMBLY



A917376-0070A  
SET SCREW

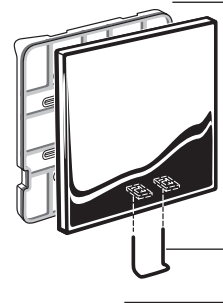
M906684-0070A  
BONNET NUT

M964943-0020130A  
COVER ASSEMBLY (0.125 gpf)

M964943-0020250A  
COVER ASSEMBLY (0.25 gpf)

M964943-0020500A  
COVER ASSEMBLY (0.5 gpf)

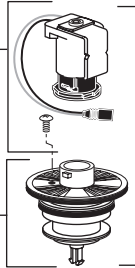
M964943-0021000A  
COVER ASSEMBLY (1.0 gpf)



M964015-0020A  
COVER PLATE  
ASSEMBLY

A922270-0070A  
U-KEY

M964302-0070A  
SOLENOID ASSEMBLY



M964801-0070A  
PISTON ASSEMBLY

M964802-0070A  
SOLENOID & PISTON  
SUBASSEMBLY



M950319-0070130A  
SENSOR ASSEMBLY  
(0.125 gpf)

M950319-0070300A  
SENSOR ASSEMBLY  
(0.25 gpf)

M950319-0070500A  
SENSOR ASSEMBLY  
(0.5 gpf)

M950319-0071000A  
SENSOR ASSEMBLY  
(1.0 gpf)

A912809-0070A  
O-RING



M964945-0020A  
ADJUSTABLE TAILPIECE  
(4-1/4" to 5-1/4" Rough-in)

OPTIONAL ADJUSTABLE TAILPIECE  
(Purchased Separately)

M962836-0020A (8-1/4" to 9-1/4" Rough-in)

M962835-0020A (7-1/4" to 8-1/4" Rough-in)

M962834-0020A (6-1/4" to 7-1/4" Rough-in)

M962833-0020A (5-1/4" to 6-1/4" Rough-in)

M950354-0020A  
MANUAL VALVE



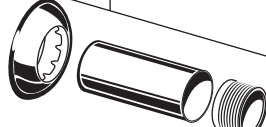
M964402-0070A  
VACUUM BREAKER KIT



M964412-0020A  
3/4" VACUUM  
BREAKER KIT

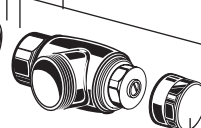


M952261-0020A  
3/4" INLET PIPE ASSEMBLY



M964075-0070A  
3/4" SWEAT ADAPTER

M955058-0020A  
3/4" STOP VALVE KIT



M924347-0020A  
STOP VALVE CAP

M952262-0020A  
ESCUTCHEON KIT



### POWER SOURCE

#### AC Hard-Wire 6062. Series

M950512-0070A  
Y-ADAPTER



M950510-0070A  
27" EXTENSION  
CABLE



M950520-0070A  
POWER SUPPLY

#### AC Multi 6061. Series

M950512-0070A  
Y-ADAPTER



M950511-0070A  
10' EXTENSION



M950510-0070A  
27" EXTENSION  
CABLE



HOT LINE FOR HELP  
For toll-free information and answers to your questions, call:  
(844) CRT-TEAM / (844) 278-8326  
Weekdays 8:00 a.m. to 6:00 p.m. EST  
IN MEXICO 01-800-839-1200  
IN CANADA 1-800-387-0369 (TORONTO 1-905-306-1093)  
Weekdays 8:00 a.m. to 7:00 p.m. EST

Product names listed herein are trademarks of AS America, Inc. ©2014

To learn more about American Standard Selectronic® Products visit our website at:  
[www.americanstandard-us.com](http://www.americanstandard-us.com) or e-mail us at: [CRTEAM@americanstandard.com](mailto:CRTEAM@americanstandard.com)