

Plane Projector 2000

se'lux®



Ordering Matrix

Series | 465 SILL® Plane Projector 2000

Beam Pattern | 5 Asymmetric Narrow Beam | 6 Asymmetric Wide Beam

Lamping MH | 2H250ET (2x) 250w ET18 | 2H400ET (2x) 400w ET18 |
MH1000DE 1000w HIT-DE Cable | MH2000DE 2000w HIT-DE Cable

Lamping HPS | 2S250 (2x) 250w ET18 | 2S400 (2x) 400w ET18

Mounting | 1 Yoke Mount

Finish | BK Black | WH White | BZ Bronze | SV Silver | SP Specify RAL#

Voltage | 120* | 277 | 347 | 480

Options | PMC Pole Mount Clamp

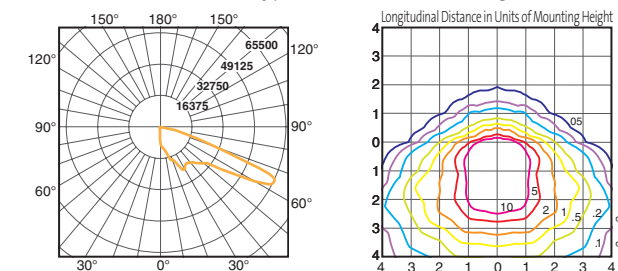
* 2000 watt not available in 120V

NOTE: Fixture always supplied with Remote Ballast

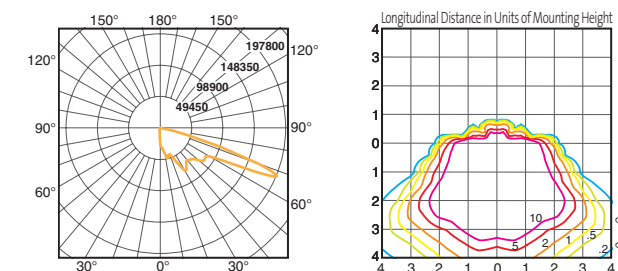
[CLICK HERE FOR LAMP INFO.](#)

Photometry

S465-5-2H400ET (Type III Full Cutoff/mounting ht. = 16')



S465-5-MH2000ET (Type IV Full Cutoff/mounting ht. = 16')



Construction

- Precision, die-cast high purity aluminum

Lamping/Optics

- H.I.D. lamping up to 2000w
- Asymmetric wide or narrow beams

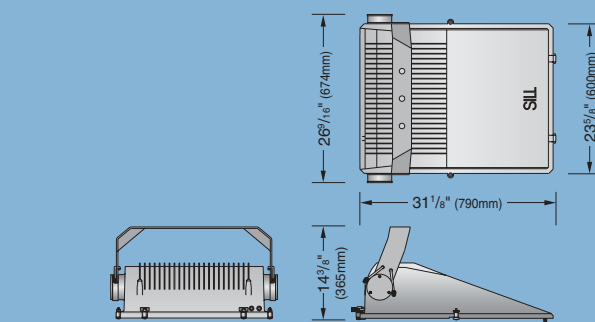
Finish

- High quality polyester powder coat finish ([CLICK HERE FOR DETAILS](#))

Certifications

- UL and ULC listed
- IP 65
- ASTM and PCI for finish

S465



Scale 1 : 30