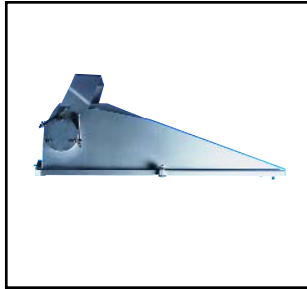


SILL® Plane Projector 2000



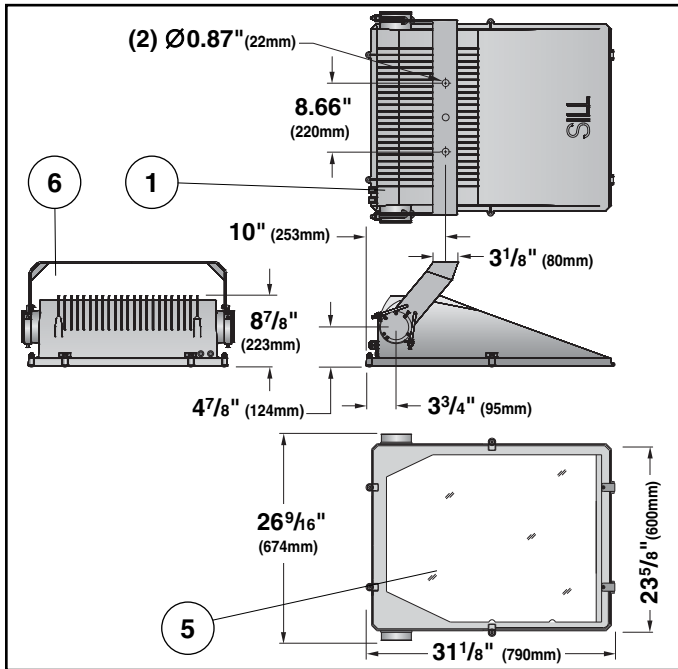
Project: _____

Type: _____ **Qty:** _____

S465	_____	_____	_____	_____	_____	_____	_____
Fixture Series	Beam Pattern	Lamp Type/Wattage	Lamp Color	Mounting	Finish	Voltage	Options
_____	_____	_____	_____	_____	_____	_____	_____
Pole Series	Height	Finish	Options				
_____	_____	_____	_____				

Series	Beam Pattern	Lamp Type / Wattage	Lamp Color	Mounting	Finish	Voltage	Options
S465 SILL® Plane Projector 2000	5 Asymmetric Narrow Beam	Metal Halide Mogul Base ET18		1 Yoke (all fixtures supplied with yoke mounting bracket. For pole mounting must also specify PMC - Pole Mount Clamp option)	WH White BK Black BZ Bronze SV Silver SP Specify RAL#	120* 277 347 480	PMC Pole Mount Clamp (required for pole mounting, see p. 4)
		2H250ET (2x) 250w 2H400ET (2x) 400w	640 4000° K NOL Lamp not included				
	6 Asymmetric Wide Beam	Metal Halide HIT-DE Cable					
		MH1000DE 1000w	859 5900° K NOL Lamp not included				
		MH2000DE* 2000w	858 5800° K NOL Lamp not included				
		HPS Mogul Base ET18	Lamp Color not applicable (leave blank to include lamp)				
		2S250ET (2x) 250w 2S400ET (2x) 400w	NOL Lamp not included				

*2000 watt not available in 120V. NOTE: Fixture always supplied with remote ballast.



1. Fixture Housing - Pressure die cast, specially formulated high purity aluminum GD-ALSi12 housing with heat dissipating fins.

2. Gasketing - (not shown) Continuous molded silicone gasket provides seal at door and glass opening.

3. Lamp - (not shown) Specified lamp supplied with fixture unless specified NOL in Lamp Color, refer to Lamp Data page for lamp details.

4. Reflector - Choose Asymmetric Wide Beam (5) or Asymmetric Narrow Beam (6).

5. Access Door - Tempered glass door, hinged with integral die cast hinges, and secured with captive stainless steel hardware for ease of maintenance.

6. Mounting Bracket - Precision mounting yoke allowing yoke to be secured to structure prior to mounting fixture. Supplied with decorative caps to conceal fixture mounting hardware.

7. Socket - (not shown) High quality sockets, located to precisely locate and secure lamps in optimum position. Refer to lamp table for specific socket types for each lamp type.

8. Ballast - (not shown) supplied with remote magnetic ballast.

Remote ballast housing is die-cast aluminum and features extruded cooling fins specifically designed for proper thermal management in elevated ambient temperatures. Electronic ballasts are available, please consult factory for availability, and specific ballast details.

9. Certifications - Fixtures are supplied standard with UL and CUL for wet locations, IP 67 certified, CIE listing is also available (for applications outside of North America, please consult factory for details).

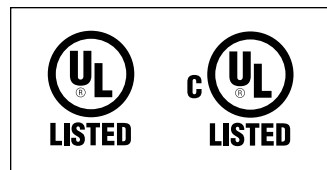
Exterior Luminaire Finish - SELUX utilizes a high quality Polyester Powder Coating. All SELUX luminaires and poles undergo a five stage intensive pre-treatment process where product is thoroughly cleaned, phosphated and sealed. SELUX powder coated products provide excellent salt and humidity resistance as well as ultra violet resistance for color retention. All products are tested in accordance with test specifications for coatings from ASTM and PCI.

Standard exterior colors are White (WH), Black (BK), Bronze (BZ), and Silver (SV). RAL colors (SP) are available, please specify RAL #.

In a continuing effort to offer the best product possible, we reserve the right to change, without notice, specifications or materials that in our opinion will not alter the function of the product. Specification sheets found at www.selux.com/usa are the most recent versions and supercede all other printed or electronic versions.

**Union Made
Affiliated with
IBEW Local 363**

IP 67 Certified



SELUX Corp. © 2006
PO Box 1060, 5 Lumen Lane
Highland, NY 12528
TEL: (845) 691-7723
FAX: (845) 691-6749
E-mail: seluxus@selux.com
Web Site: www.selux.com/usa
465_ssV0.9-0807 page 1

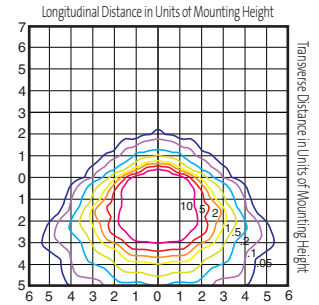
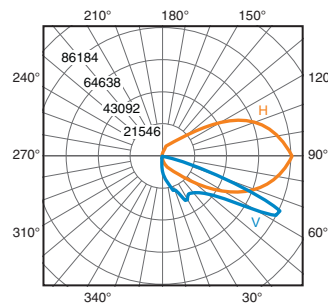
Plane Projector 2000



(2) 400W Tubular Metal Halide Asymmetric Narrow Beam
 Catalog #465-5-2H400ET
 Report # 070/97

- Maximum candela of 86184 at 65° from vertical
- IES classification: Type III Full Cutoff
- 400W Tubular Metal Halide lamp
- Mogul Base ET-18

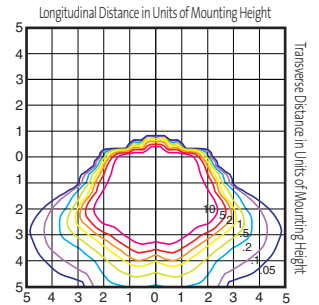
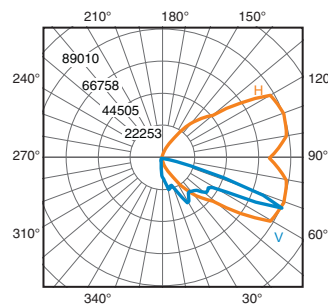
V - Vertical Plane Through Horizontal Angles (0 - 180) (Through Max. Cd.)
 H - Horizontal Cone Through Vertical Angle (67.5) (Through Max. Cd.)



1000W Double-Ended MH Asymmetric Narrow Beam
 Catalog #465-5-MH1000DE
 Report # 057/97

- Maximum candela of 89010 at 67.5° from vertical
- IES classification: Type IV Full Cutoff
- 1000W Double-Ended Tubular Metal Halide lamp
- HIT-DE Cable

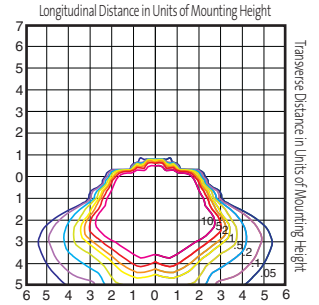
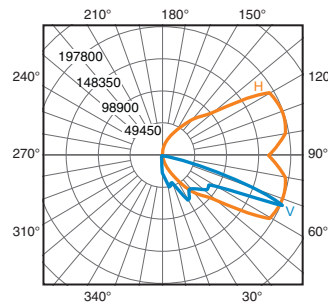
V - Vertical Plane Through Horizontal Angles (0 - 180) (Through Max. Cd.)
 H - Horizontal Cone Through Vertical Angle (67.5) (Through Max. Cd.)



2000W Double-Ended MH Asymmetric Narrow Beam
 Catalog #465-5-MH2000DE
 Report # 057/97

- Maximum candela of 197800 at 67.5° from vertical.
- IES classification: Type IV Full Cutoff
- 2000W Double-Ended Tubular Metal Halide lamp
- HIT-DE Cable

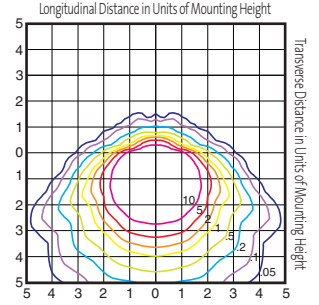
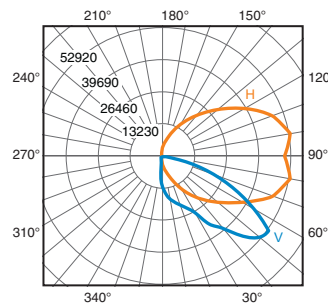
V - Vertical Plane Through Horizontal Angles (0 - 180) (Through Max. Cd.)
 H - Horizontal Cone Through Vertical Angle (67.5) (Through Max. Cd.)



(2) 400W Tubular Metal Halide Asymmetric Wide Beam
 Catalog #465-6-2H400ET
 Report # 074/97

- Maximum candela of 52920 at 55° from vertical
- IES classification: Type III Full Cutoff
- (2) 400W Tubular Metal Halide lamps
- Mogul Base ET-18

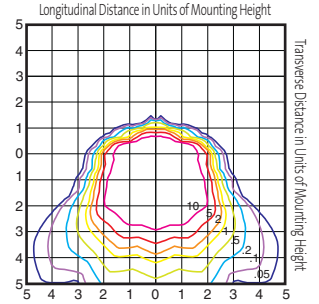
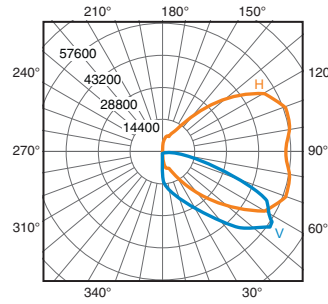
V - Vertical Plane Through Horizontal Angles (0 - 180) (Through Max. Cd.)
 H - Horizontal Cone Through Vertical Angle (67.5) (Through Max. Cd.)



1000W Double-Ended MH Asymmetric Wide Beam
 Catalog #465-6-MH1000DE
 Report # 066/97

- Maximum candela of 57600 at 55° from vertical.
- IES classification: Type IV Cutoff
- 1000W Double-Ended Tubular Metal Halide lamp
- HIT-DE Cable

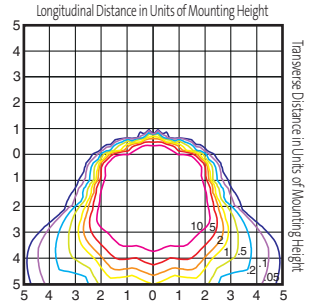
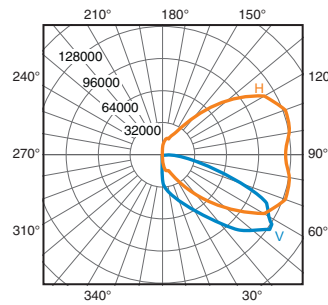
V - Vertical Plane Through Horizontal Angles (0 - 180) (Through Max. Cd.)
 H - Horizontal Cone Through Vertical Angle (67.5) (Through Max. Cd.)



2000W Double-Ended MH Asymmetric Wide Beam
 Catalog #465-6-MH2000DE
 Report # 066/97

- Maximum candela of 128000 at 55° from vertical
- IES classification: Type IV Cutoff
- 2000W Double-Ended Tubular Metal Halide lamp
- HIT-DE Cable

V - Vertical Plane Through Horizontal Angles (0 - 180) (Through Max. Cd.)
 H - Horizontal Cone Through Vertical Angle (67.5) (Through Max. Cd.)



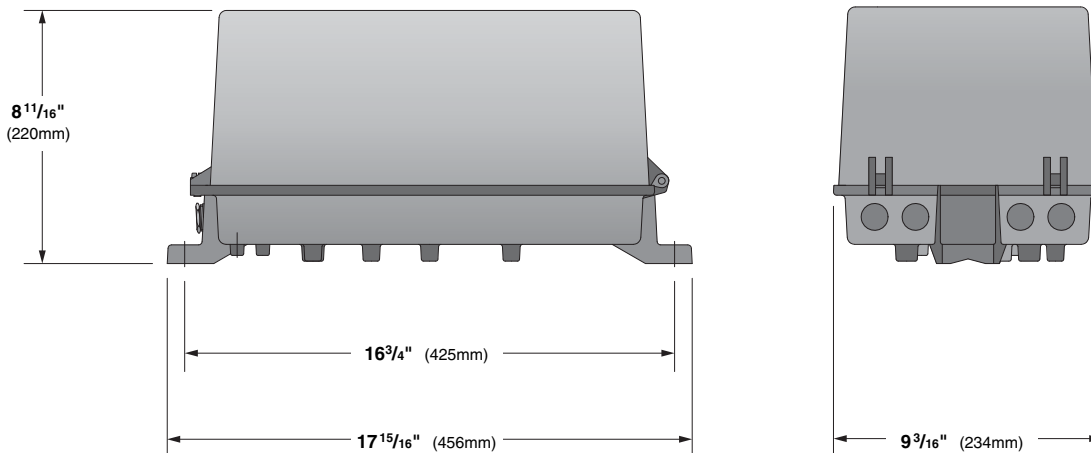
Plane Projector 2000



Lamp Data (Lamps supplied with fixture unless otherwise indicated.) Other color temperatures available upon request												
Catalog Number	Description	Bulb	Operating Position	Base	Lamp Finish	Lamp Color	ANSI Designation	Initial Lumens	Mean Lumens	CRI	CCT (K)	Life (hours)
H250ET	250 Watt	ET18	Universal	Mogul	Clear	640	M58/E	22000V	17500V	65	4000	10,000
								20000H	13500H			
H400ET	400 Watt						M59/E	36000V	23400V	65	4000	20,000V
								33000H	21500H			15,000H
S250ET	250 Watt	ET18	Universal	Mogul	Clear	xxx	S50	29000	26100	22	2100	24,000+
S400ET	400 Watt						S51	50000	45000	22	2100	30,000
MH1000DE	1000 Watt	TS	Universal	Cer Spade	Clear	859	xxx	90000	----	90	5900	6,000
MH2000DE	2000 Watt					858	xxx	200000	----	90	5800	4,000

Note: Lamp data provided for reference only and is believed to be accurate at time of printing. Consult manufacturers' data for updated and accurate specifications, along with any specifications and precautions. Contact SELUX for specific manufacture if required. Other lamps are available, contact SELUX with any special requests. All lamps and ballasts supplied by SELUX are usually covered under the ballast and lamp manufacturers' warranties.

RB-S902 (Separate Remote Ballast box)



SELUX Corp. © 2006

TEL: (845) 691-7723

FAX: (845) 691-6749

www.selux.com/usa
465_ssV0.9_0807 p. 3



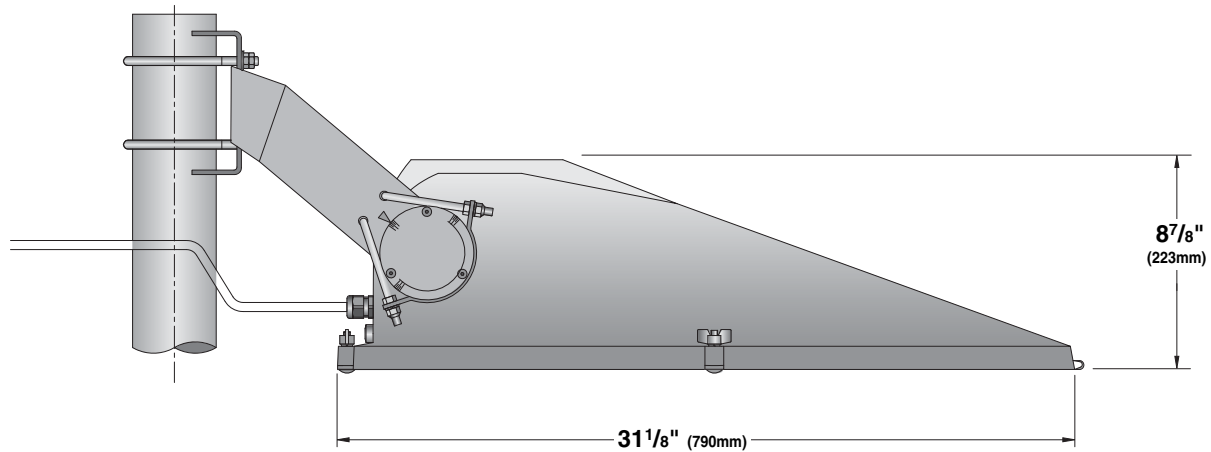
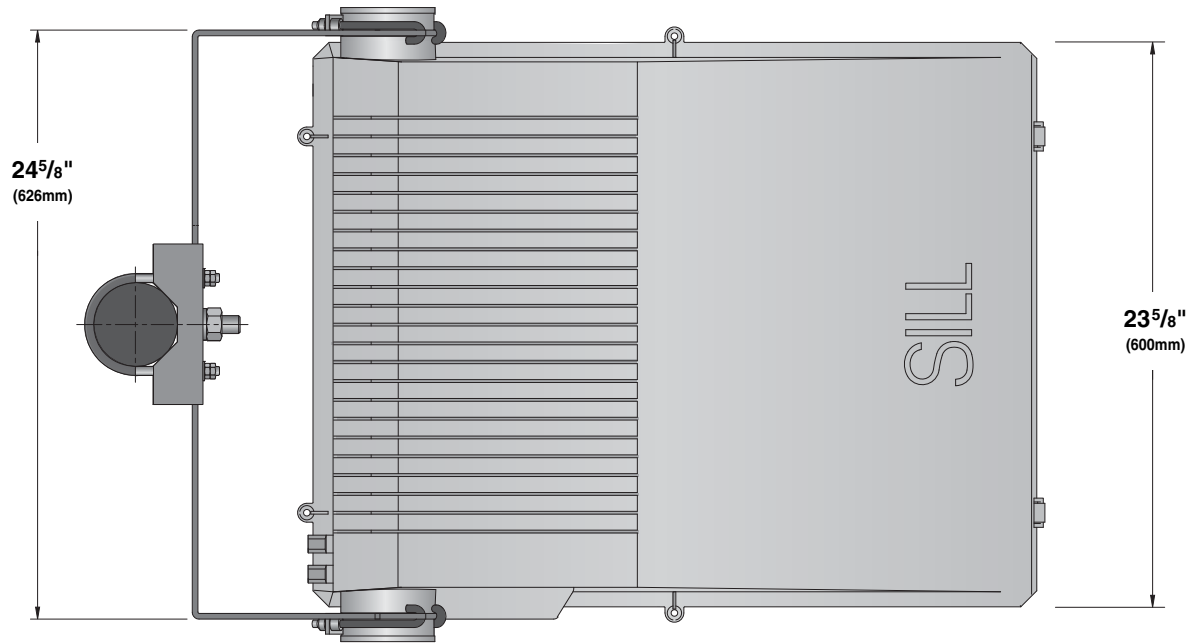
Union Made Affiliated
with IBEW Local 363

In a continuing effort to offer the best product possible, we reserve the right to change, without notice, specifications or materials that in our opinion will not alter the function of the product. Specification sheets found at www.selux.com/usa are the most recent versions and supercede all other printed or electronic versions.

Plane Projector 2000

se'lux®

PMC (Pole Mount Clamp)



NOTE: Consult factory for more details.

SELUX Corp. © 2006

TEL: (845) 691-7723

FAX: (845) 691-6749

www.selux.com/usa

465_ssV0.9_0807 p. 4



Union Made Affiliated
with IBEW Local 363

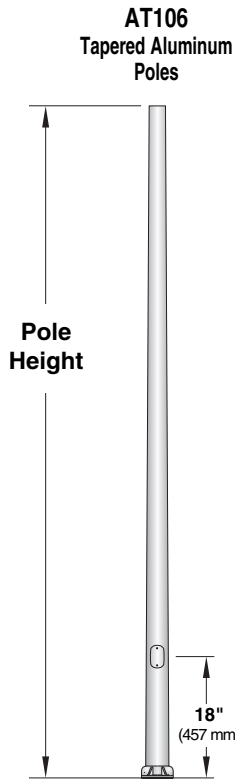
In a continuing effort to offer the best product possible, we reserve the right to change, without notice, specifications or materials that in our opinion will not alter the function of the product. Specification sheets found at www.selux.com/usa are the most recent versions and supercede all other printed or electronic versions.

Plane Projector 2000



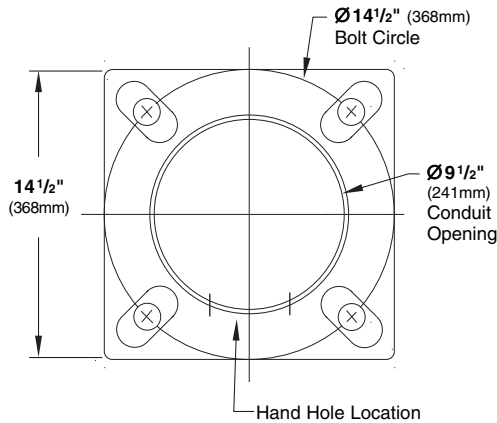
Pole Information

Refer to AT106 Pole specification sheet for construction details.

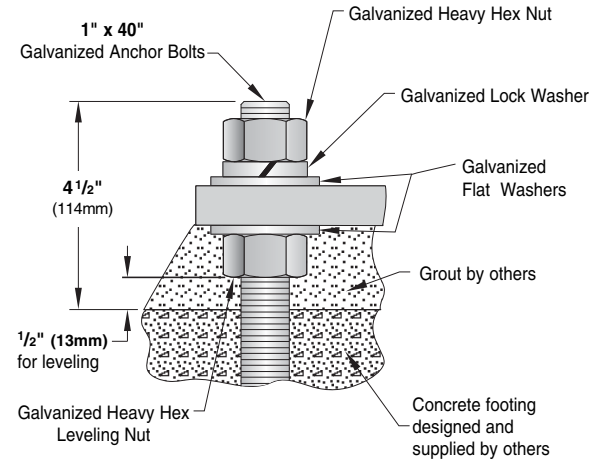


Bolt Circle

Use caution when setting anchor bolts. Bolts must be vertically straight and centered on dimensions shown.



Anchor Bolt Detail



Note: Adequate drainage must be provided in concrete foundation or grout.

Pole Series	Bolt Circle	EPA Information (ft ²)					Height	Finish	Options
		70 mph	80 mph	90 mph	100 mph	110 mph			
AT106 10" to 6" Dia. Tapered Aluminum Pole	14 1/2"	37.3	28.0	21.5	16.8	13.3	30 30 ft.	WH White	REC GFCI Receptacle with weather proof cover* PC Photocell * Weatherproof cover intended for portable tools or other portable equipment connected to the outlet only when attended. For other requirements please consult factory.
AT106 10" to 6" Dia. Tapered Aluminum Pole	14 1/2"	28.4	21.1	16.0	12.2	9.4	35 35 ft.	BK Black	
AT106 10" to 6" Dia. Tapered Aluminum Pole	14 1/2"	22.8	16.7	12.4	9.2	6.8	39 39 ft.	BZ Bronze	
AT106 10" to 6" Dia. Tapered Aluminum Pole	14 1/2"	17.5	12.5	9.1	6.5	4.5	50 50 ft.	SV Silver	
								SP Specify RAL#	

Other pole configurations available, consult factory. EPA Calculations allow for 1.3 Gust Factor