

Beta Pendant

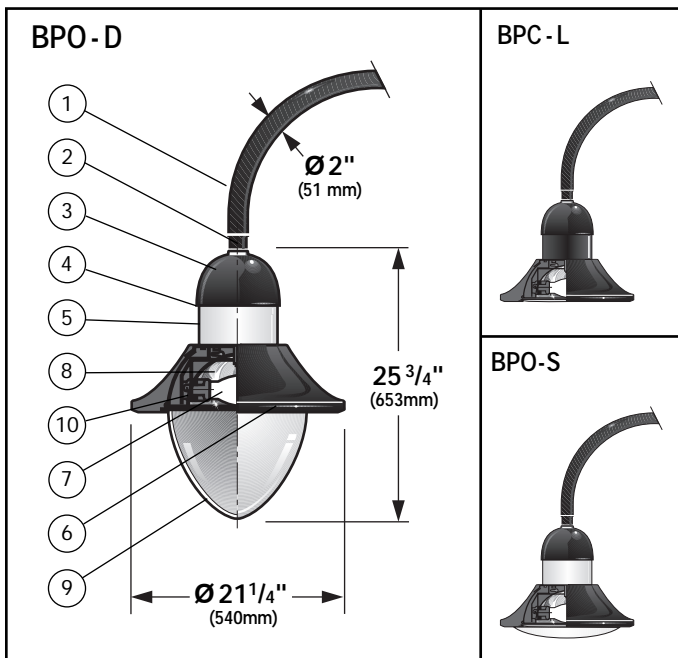


Project: _____

Type: _____ Qty: _____

Fixture Series	Shielding	Reflector	Mounting	Lamp Type/Wattage	Finish	Voltage
Pole Series	Height	Finish	Options			

Series	Shielding	Reflector	Mounting	Lamp Type / Wattage		Finish	Voltage
BPO Beta Pendant Open	D Polycarbonate Diffuser	R3 Type III Aluminum reflector	1 Single	Metal Halide		WH White	120
	L Tempered Glass Lens	R5 Type V Aluminum reflector	2C Double Cluster	H050* 50w	HPS	BK Black	208
BPC Beta Pendant Closed	S Sagged Glass Lens		3C Triple Cluster	H070 70w	S070 70w	BZ Bronze	240
			4C Quadruple Cluster	H100 100w	S100 100w	SV Silver	277
			W Wall Mount	H150 150w	S150 150w	SP Specify RAL#	347
			P Pendant	* Only available in 120v and 277v			



1. Mounting Arm - Ø2" (51mm) curved arm attaches to pole by means of a transition fitter supplied with fixture.

2. Fixture Connection - The fixture cap is securely fastened to curved arm using a steel connector.

3. Fixture Cap - Decorative fixture cap; removable to provide easy access to ballast.

4. Gasketing - Continuous molded gaskets provide weather-proofing, dust, and insect control.

5. Upper Diffuser (Open Version) - A seamless acrylic opal upper diffuser allows light to spill onto fixture hood, enhancing the appearance of the fixture.

6. Fixture Hood - Decorative aluminum shade.

7. Lamp - One ED-17 metal halide up to 175w or high pressure sodium up to 150w. Clear horizontal lamp recommended for R3 reflector. Clear vertical lamp recommended for R5 reflector. Lamp provided by others.

8. Reflector - Precision formed aluminum reflector available with a Type III or Type V distribution.

9. Shielding - Specify polycarbonate diffuser (D), tempered flat glass lens (L), or tempered sagged glass lens (S). Polycarbonate diffuser is vacuum

formed, clear, U.V. stabilized, and has a pebble grain texture. The diffuser becomes luminous when lit, providing a pleasing glow. All three are secured using a captive ring and are easily removable for access to lamp (no special tools required).

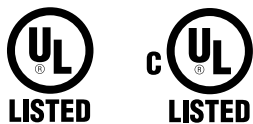
10 Socket - Pulse rated porcelain medium base socket pre-wired to ballast at factory.

11. Ballast - (Not shown) A high power factor, open core and coil ballast regulates voltage for H.I.D. lamp. Consult factory for detailed ballast information.

Exterior Luminaire Finish - SELUX utilizes a high quality Polyester Powder Coating. All SELUX luminaires and poles undergo a five stage intensive pretreatment process where product is thoroughly cleaned, phosphated and sealed. SELUX powder coated products provide excellent salt and humidity resistance as well as ultra violet resistance for color retention. All products are tested in accordance with test specifications for coatings from ASTM and PCI.

Standard exterior colors are White (WH), Black (BK), Bronze (BZ), and Silver (SV). RAL colors (SP) are available, please specify RAL#.

In a continuing effort to offer the best product possible, we reserve the right to change, without notice, specifications or materials that in our opinion will not alter the function of the product. Specification sheets found at www.selux.com/usa are the most recent versions and supersede all other printed or electronic versions.



**Union Made
Affiliated with
IBEW Local 363**

SELUX Corp. © 2007
PO Box 1060, 5 Lumen Lane
Highland, NY 12528
TEL (845) 691-7723
FAX (845) 691-6749
E-mail: seluxus@selux.com
Web Site: www.selux.com/usa
BP-0607-01 (ss-V3.32)

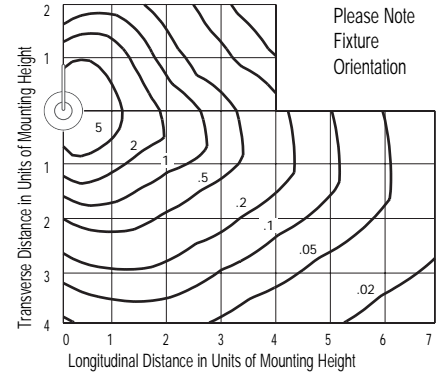
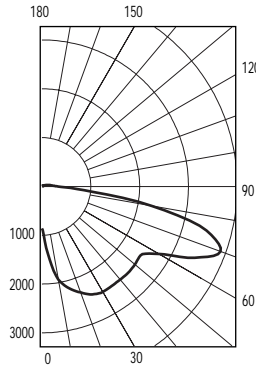
Beta Pendant



Type III Reflector

Catalog # BPC-D-R3-H175
Report # SX 7852

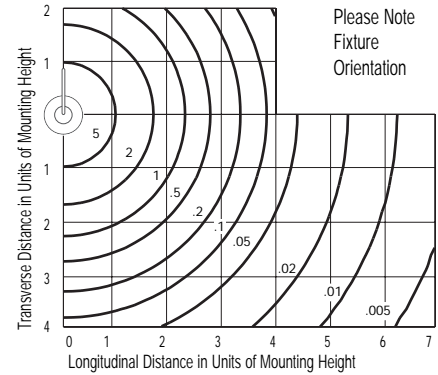
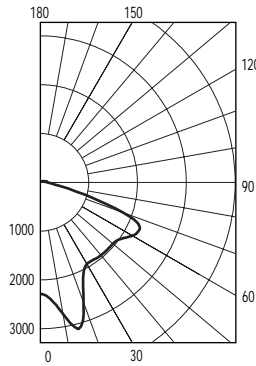
- Precision formed aluminum reflector with specular kick reflectors to precisely control distribution.
- Ideal for applications demanding maximum spacing.
- Maximum candela of 3804.0 at 70.0 from vertical.
- IES classification - Type III Semi-cutoff.



Type V Reflector

Catalog # BPC-D-R5-H175
Report # LSI 13594

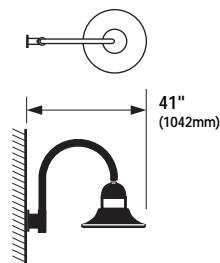
- Precision formed aluminum reflector with vertical, base up lamp.
- Ideal for applications demanding a uniform symmetric light distribution.
- Maximum candela of 3144.0 at 15.0 from vertical.
- IES classification - Type V Cutoff.



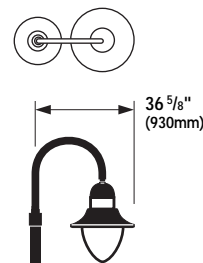
HID Lamp Prorate Table (ED-17 Clear, Medium-Base Lamp)					
High Pressure Sodium			Metal Halide		
Wattage	Factor	Initial Lumens	Wattage	Factor	Initial Lumens
50	0.26	3700	50	0.24	3400
70	0.41	5800	70	0.36	5000
100	0.63	8800	100	0.56	7800
150	1.04	14500	150	0.89	12500
			175	1.00	14000

Conversion Chart	
Values based on 12' mounting height.	
Mounting Height	Multiply
10'	1.44
12'	1.00
14'	0.73
16'	0.56
18'	0.44

Mounting



Wall Mount



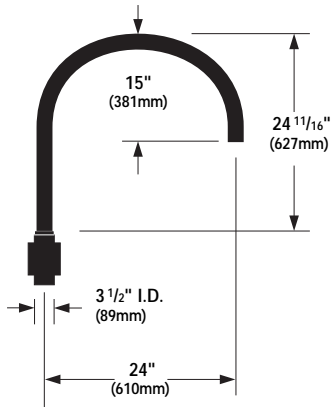
Single

Beta Pendant



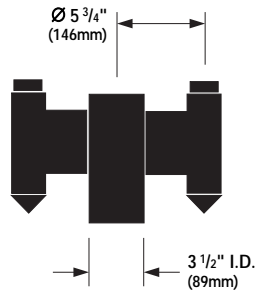
Arm

Curved steel tubing supplied with fixture head. Arm radius = 12" (305mm). Steel fitter slips over pole and is secured with (3) stainless steel screws.



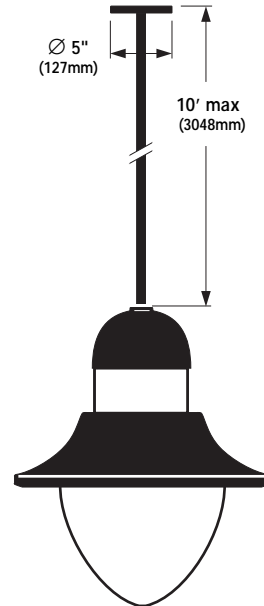
Multiple Pole Fitter

Fabricated steel fitter base and transition to pole. Secured to pole with (4) stainless steel Allen head set screws. Decorative caps at bottom of mounting arm locations are formed aluminum and drilled for water drainage.



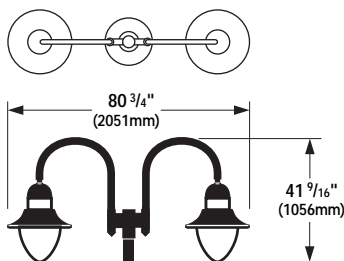
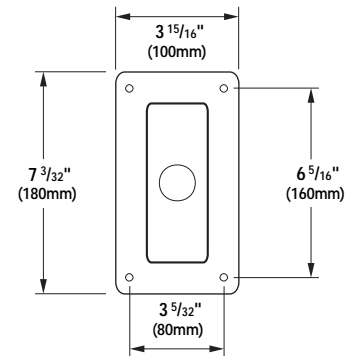
Stem for Pendant Mount

3/4" NPT steel threaded pipe. Specify stem length (10' max.) Formed steel canopy (Ø 5.0" / 12.7mm) supplied with crossbar for junction box mounting. Junction box to be secured for load bearing requirements appropriate to local codes.

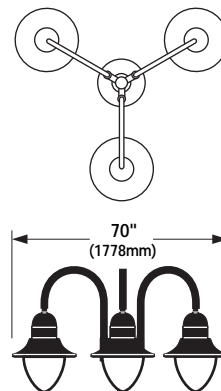


Wall Mount Back Plate

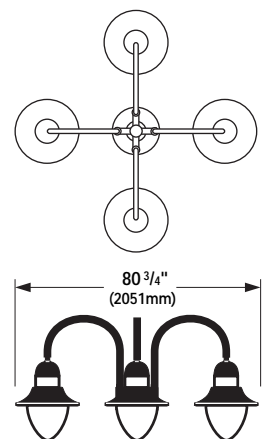
Fabricated steel mounting. Secured to wall with 5/16" (8mm) diameter fasteners (by others).



Double Cluster



Triple Cluster



Quadruple Cluster

Beta Pendant

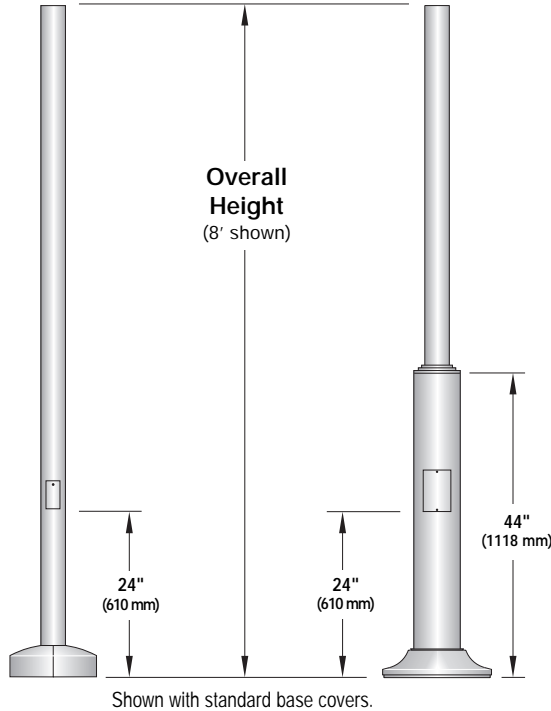


Pole Information

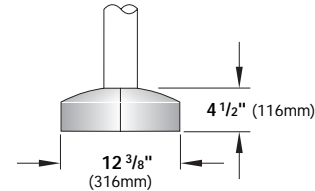
Refer to A35, S635, or S35 Pole specification sheets for construction details, anchorage information and additional options.

A35 & S35
Round Straight Aluminum
& Round Straight Steel Poles

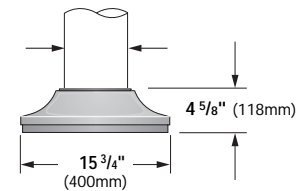
S635
Round Stepped
Steel Pole



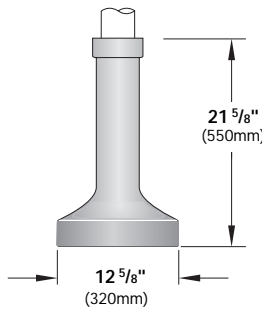
Straight Poles (A35 & S35)
BC5 Standard Base Cover
Two-piece cast aluminum



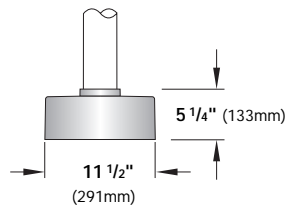
Stepped Steel Pole (S635)
BC6 Standard Base Cover
One-piece cast aluminum



BC1 Optional Base Cover
(A35 & S35) One-piece cast aluminum



BC4 Optional Base Cover
(A35 & S35) One-piece cast aluminum



Pole Series	Bolt Circle	EPA Information (ft ²)					Height	Finish	Options
		70 mph	80 mph	90 mph	100 mph	110 mph			
S635 3 1/2" Diameter Stepped Steel Pole	9"	57.6	44.3	34.6	27.5	22.8	8 8 ft.	WH White BK Black	BC1 Decorative Cast Aluminum Base Cover (for A35 & S35 poles only)
A35 3 1/2" Diameter Straight Aluminum Pole	7 3/4"	16.1	12.2	9.4	7.3	5.9			
S35 3 1/2" Diameter Straight Steel Pole	7 3/4"	14.8	11.3	8.6	6.7	5.4			
S635 3 1/2" Diameter Stepped Steel Pole	9"	45.6	35.0	27.3	21.6	17.8	10 10 ft.	BZ Bronze SV Silver	BC4 One-piece Cast Aluminum Base Cover (for A35 & S35 poles only)
A35 3 1/2" Diameter Straight Aluminum Pole	7 3/4"	12.4	9.3	7.1	5.4	4.3			
S35 3 1/2" Diameter Straight Steel Pole	7 3/4"	11.4	8.6	6.5	4.9	3.9			
S635 3 1/2" Diameter Stepped Steel Pole	9"	37.6	28.7	22.3	17.5	14.4	12 12 ft.	SP Specify RAL#	REC GFCI Receptacle with weather-proof cover*
A35 3 1/2" Diameter Straight Aluminum Pole	7 3/4"	9.9	7.3	5.4	4.0	3.1			
S35 3 1/2" Diameter Straight Steel Pole	7 3/4"	9.1	6.7	4.9	3.6	2.8			
S635 3 1/2" Diameter Stepped Steel Pole	9"	31.7	24.2	18.6	14.6	11.9	14 14 ft.		PC Photocell (for clusters only)
A35 3 1/2" Diameter Straight Aluminum Pole	7 3/4"	8.0	5.8	4.2	3.0	2.2			
S35 3 1/2" Diameter Straight Steel Pole	7 3/4"	7.3	5.3	3.8	2.7	1.9			
S635 3 1/2" Diameter Stepped Steel Pole	9"	21.7	15.8	12.3	9.6	7.6	16 16 ft.		PCT Photocell Tenon
A35 3 1/2" Diameter Straight Aluminum Pole	7 3/4"	4.9	3.2	2.2	1.4	.08			
S35 3 1/2" Diameter Straight Steel Pole	7 3/4"	4.4	2.8	1.9	1.2	0.6			

* Weatherproof cover intended for portable tools or other portable equipment connected to the outlet only when attended. For other requirements please consult factory.

Effective Projected Area of Single Luminaire = 1.38 ft² (0.13m²) / Weight of Luminaire = 27.5 lbs (12.5kg) (Includes Mounting Arm)
 Effective Projected Area of Double Luminaire = 3.72 ft² (0.35m²) / Weight of Double Luminaire (includes arms) = 81.0 lbs (36.7kg)

SELUX Corp. © 2007
 PO Box 1060, 5 Lumen Lane TEL: (845) 691-7723 FAX: (845) 691-6749
 Highland, NY 12528 E-mail: seluxus@selux.com
 BP-0607-04 (6-49010-00) Web Site: www.selux.com/usa

In a continuing effort to offer the best product possible, we reserve the right to change, without notice, specifications or materials that in our opinion will not alter the function of the product. Specification sheets found at www.selux.com/usa are the most recent versions and supercede all other printed or electronic versions.