

**INSTALLATION GUIDE FOR  
WHIRLPOOL AND BATHTUB  
REMOVABLE APRONS**

**MODEL# 9260**

**5 FT REMOVABLE APRON**

**MODEL# 9266**

**5-1/2 FT REMOVABLE APRON**

**MODEL# 9272**

**6 FT REMOVABLE APRON**

***THANK YOU...***

for selecting an American Standard bath. Your new bath is shipped to you after careful inspection. The whirlpool version is completely assembled with pump, motor, and system piping. All you need to finish the whirlpool installation are your selected fittings and electrical connections.

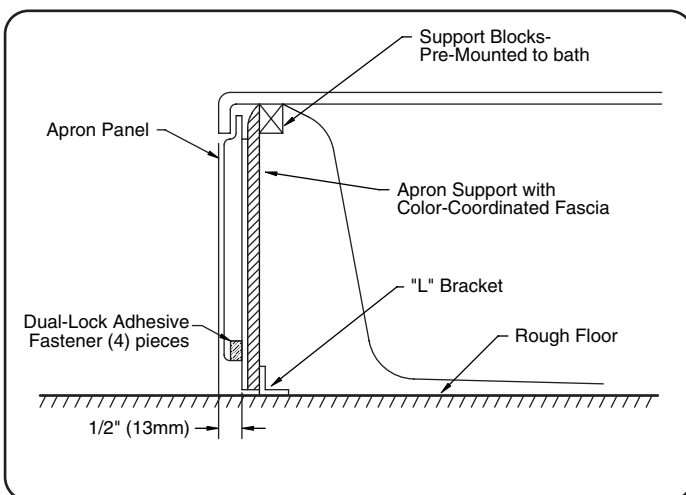
To insure maximum performance and pleasure from this product, please follow the instructions and cautions.

**FOR AFTER-SALES SERVICE CALL 1 (800) 442-1902 WEEKDAYS.**

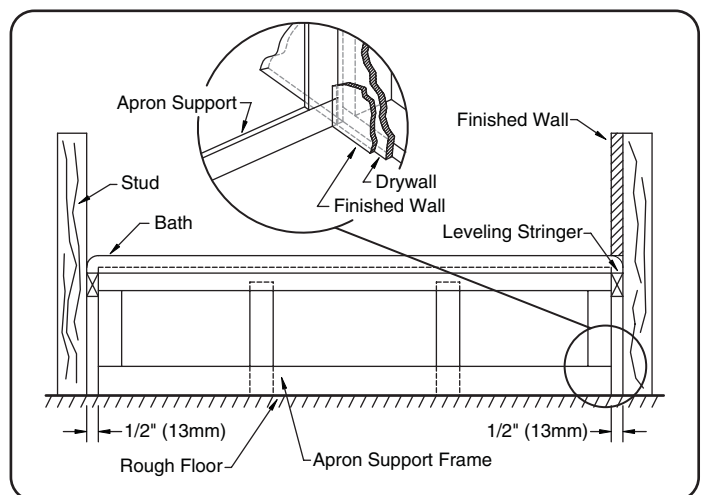
---

This apron system is designed with an Apron Panel and a Color Coordinated Support Frame. The support is to be installed first, with the finished wall butting against it. (See Fig. "B")

1. Install bath per instructions.
2. Using a straight edge, mark a parallel line on the floor, 1/2" (12mm) in from the front edge of the bath. (See Fig. "A")
3. Install the APRON SUPPORT with color-coordinated fascia facing outward. Insert the support under the front edge of the bath, with the top contacting the underside of the bath deck between the apron support blocks and the lip of the bath. Position the bottom edge of the support at the indicated line.
4. Secure the support to the floor using the "L" BRACKETS, on the back of support, and the (4) four (#6 x 1" Drywall Screws) provided.
5. Make sure FASCIA surface of APRON SUPPORT FRAME is clean of grease and dust. Cleaning may be done using a MILD SOAP and water. DRY THOROUGHLY.
6. Remove the protective strips from the DUAL-LOCK ADHESIVE FASTENERS on the back of the APRON PANEL. DUAL-LOCK ADHESIVE FASTENERS are pre-mounted to APRON PANEL.
7. Slide the top edge of the APRON PANEL under the front edge of the bath. Center the APRON PANEL and push it up against the underside of the bath until the bath contacts Apron edge. Push bottom of APRON PANEL against APRON SUPPORT FRAME, keeping APRON PANEL centered. APRON PANEL will adhere to FASCIA of APRON SUPPORT FRAME.
8. APRON Panel may be removed by using the supplied SUCTION CUP by placing in the lower left or right hand corner and pulling outward away from the APRON SUPPORT FRAME.



**FIGURE "A"**



**FIGURE "B"**