

Diskus Surface Mount



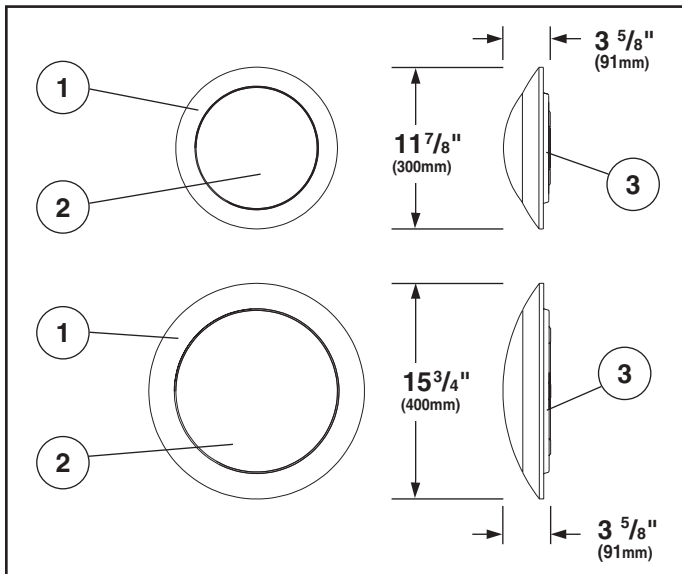
Project: _____

Type: _____

DSK - - - - -

Fixture Series	Diameter	Lamp Type	Voltage	Finish	Options
----------------	----------	-----------	---------	--------	---------

Fixture Series	Diameter	Lamp Type / Wattage	Voltage	Finish	Options
DSK Diskus Surface Mount	12 11-7/8"	F162D 1x16W 2D F212D 1x21W 2D	120 277	WH White BK Black BZ Bronze SV Silver SP Specify RAL#	*EX Exterior Version
	16 15-3/4"	F282D 1x28W 2D F382D 1x38W 2D			



1. Fixture Frame - Die-cast, aluminum trim frame, painted with specified finish. All exposed hardware is stainless steel. Low profile conforms to the standards with Disabilities Act (ADA).

2. Shielding - White, translucent, impact-resistant DR acrylic.

3. Housing - Die-cast, aluminum housing with mounting holes provided. Mounting hardware by others.

4. Ballast - (Not shown) Electronic, high power factor, class P, type A sound rating, 32°F (0°C) starting temperature. Specify 120v or 277v. Consult factory for ballast options.

5. Lamps - (Not shown) 21W compact fluorescent 2D lamps available for the DSK12. 38W compact fluorescent 2D lamps available for the DSK16. All lamps utilize a GR 10q, 4pin base. All lamps supplied by others.

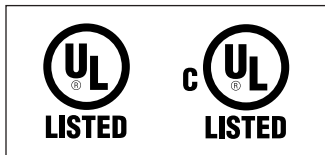
6. Gasketing - (Not shown) Continuous, molded gasket provides weather proofing, dust and insect control around fixture frame in exterior version.

Interior Luminaire Finish - Standard interior colors are White (WH), Black (BK), Bronze (BZ), and Silver (SV). RAL colors (SP) are available, please specify RAL#.

***Exterior Version** - The exterior version is fully gasketed and can be mounted in wet locations. This version is furnished with standard exterior luminaire finish (see below).

Exterior Luminaire Finish - SELUX utilizes a high quality Polyester Powder Coating. All SELUX luminaires and poles undergo a five stage intensive pretreatment process where product is thoroughly cleaned, phosphated and sealed. SELUX powder coated products provide excellent salt and humidity resistance as well as ultra violet resistance for color retention. All products are tested in accordance with test specifications for coatings from ASTM and PCI.

Standard exterior colors are White (WH), Black (BK), Bronze (BZ), and Silver (SV). RAL colors (SP) are available, please specify RAL#.



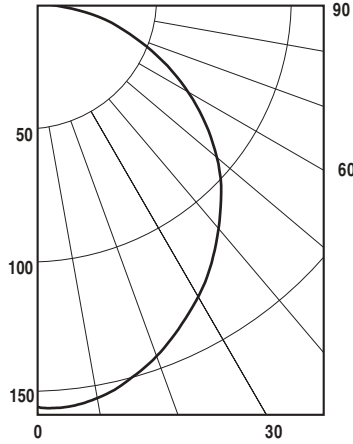
**Union Made
Affiliated with
IBEW Local 363**

SELUX Corp. © 2001
PO Box 1060, 5 Lumen Lane
Highland, NY 12528
TEL: (845) 691-7723
FAX: (845) 691-6749
E-mail: seluxus@selux.com
Web Site: www.selux.com/usa
DSK-0704-01 (ss-V2.3)

In a continuing effort to offer the best product possible, we reserve the right to change, without notice, specifications or materials that in our opinion will not alter the function of the product. Specification sheets found at www.selux.com/usa are the most recent versions and supercede all other printed or electronic versions.

DSK-12 Photometric Data

Catalog #: **DSK - 12 - F162D**
 Lamp: **1x F162D @ 1050 lumens**
 Report #: **SX 100-901 (5517)**
 Luminaire Efficiency: **49.4%**
 Maximum Candela: **160 @ 0**

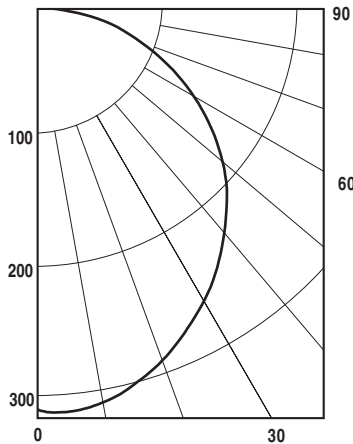


CANDELA DISTRIBUTION	
	0.0
0	160
5	159
15	153
25	142
35	127
45	107
55	85
65	62
75	42
85	26
90	19

ZONAL LUMEN SUMMARY			
ZONE	LUMENS	%LAMP	%FIXT.
0-30	124	11.8	23.8
0-40	203	19.3	39.1
0-60	361	34.4	69.6
0-90	497	47.3	95.7
90-180	22	2.1	4.3
0-180	519	49.4	100.0

DSK-16 Photometric Data

Catalog #: **DSK - 16 - F282D**
 Lamp: **1x F282D @ 2050 lumens**
 Report #: **SX 100-897 (5515)**
 Luminaire Efficiency: **49.5%**
 Maximum Candela: **312 @ 0**



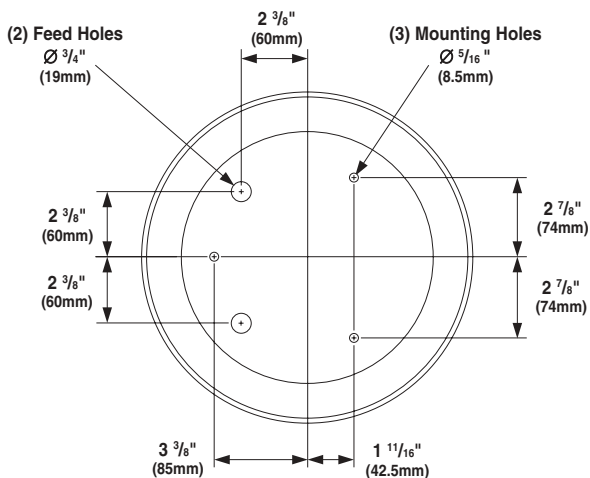
CANDELA DISTRIBUTION	
	0.0
0	312
5	310
15	299
25	277
35	248
45	209
55	166
65	122
75	83
85	50
90	37

ZONAL LUMEN SUMMARY			
ZONE	LUMENS	%LAMP	%FIXT.
0-30	241	11.8	23.8
0-40	396	19.3	39.0
0-60	706	34.4	69.5
0-90	970	47.3	95.5
90-180	46	2.2	4.5
0-180	1015	49.5	100.0

Mounting Information

DSK - 12 (Rear view)

Estimated weight - 8 lbs. (3.6kg)



DSK - 16 (Rear view)

Estimated weight - 10 lbs. (4.5kg)

