

M-SERIES SPECIFICATION AND DATA SHEETS















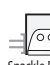




















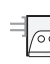


Table of Contents

Fixture Locator Chart	2
Introduction - Extrusions/Connector Plus/Lengths/Shielding	4
Staggered Lamping	6

M -SERIES SPECIFICATION AND DATA SHEETS

M100 DIRECT SEMI-RECESSED	M1S1/M1S2	Semi-Recessed Flanged	10	
	M1S1S/M1S2S	Semi-Recessed Flanged (Staggered Lamps)	12	
	M1S0_SG	Semi-Recessed - Slot Grid	14	
	M1S0S_SG	Semi-Recessed - Slot Grid (Staggered Lamps)	16	
	M1S0_SF	Semi-Recessed - Spackle Flange	18	
	M1S0S_SF	Semi-Recessed - Spackle Flange (Staggered Lamps)	20	
M60 DIRECT RECESSED	M6R1/M6R2	Recessed Flanged	22	
	M6R1S/M6R2S	Recessed Flanged (Staggered Lamps)	24	
	M60_SG/DC	Recessed - Slot Grid/Thick Ceiling Panels	26	
	M60S_SG/DC	Recessed - Slot Grid, etc (Staggered Lamps)	28	
	M60_SF	Recessed - Spackle Flange	30	
	M60S_SF	Recessed - Spackle Flange (Staggered Lamps)	32	
M100 DIRECT RECESSED	M1R1/M1R2	Recessed Flanged	34	
	M1R1S/M1R2S	Recessed Flanged (Staggered Lamps)	36	
	M10_SG/DC	Recessed - Slot Grid/Thick Ceiling Panels	38	
	M10S_SG/DC	Recessed - Slot Grid, etc (Staggered Lamps)	40	
	M10_SF	Recessed - Spackle Flange	42	
	M10S_SF	Recessed - Spackle Flange (Staggered Lamps)	44	
M100 DIRECT TANNENBAUM RECESSED	M1N1/M1N2	Tannenbaum Flanged	46	
	M1N1S/M1N2S	Tannenbaum Flanged (Staggered Lamps)	48	
	M1N0_SG/DC	Tannenbaum - Slot Grid/Thick Ceiling Panels	50	
	M1N0S_SG/DC	Tannenbaum - Slot Grid, etc (Staggered Lamps)	52	
	M1N0_SF	Tannenbaum - Spackle Flange	54	
	M1N0S_SF	Tannenbaum - Spackle Flange (Staggered Lamps)	56	
M100 DIRECT SUPER RECESSED	M1B1/M1B2	Super Recessed Flanged	58	
	M1B1S/M1B2S	Super Recessed Flanged (Staggered Lamps)	60	
	M1B0_SG/DC	Super Recessed - Slot Grid/Thick Ceiling Panels	62	
	M1B0S_SG/DC	Super Recessed - Slot Grid, etc (Staggered Lamps)	64	
	M1B0_SF	Super Recessed - Spackle Flange	66	
	M1B0S_SF	Super Recessed - Spackle Flange (Staggered Lamps)	68	
WALL GRAZING	M1RA1/M1RA2	Recessed Asymmetric Flanged	70	
	M1A_SG/DC	Recessed Asymmetric - Slot Grid, etc	72	
	M1A_SF	Recessed Asymmetric - Spackle Flange	74	
WALL WASHING	M1W1/M1W2	Recessed Wall Washer - Flanged	76	
	M1W0_SG/DC	Recessed Wall Washer - Slot Grid, etc	78	
	M1W0_SF	Recessed Wall Washer - Spackle Flange	80	
SURFACE/ PENDANT/ WALL	M60	M60 Direct	82	DIRECT
	M60S	M60 Direct (Staggered Lamps)	84	
	M10	M100 Direct	86	
	M10S	M100 Direct (Staggered Lamps)	88	
	M6DI	M60 Direct/Indirect	90	D/I
	M6S	M60 Indirect	92	INDIRECT
	M11	M100 Indirect	94	
	M1A	M100 Asymmetric	96	ASYMMETRIC
	DOWNLIGHTS		98	
	SUSPENSIONS		100	
	VERTICAL WALL MOUNTING		101	
CROSSES, TEES AND CORNERS		103		
WIRING		105		
FLEX WHIPS		109		
PHOTOMETRY		110		
SPECIFICATION GUIDE		119		
INDEX OF FIXTURES		123		

Series	Lamping (standard)			
		1T5 / 1T5HO	2T5 / 1T8	Downlights and Track
Indirect	M6S 2-3/8" width 2-3/4" height	 Pendant p.92 Wall p.92		
Direct/ Indirect	M6DI 2-3/8" width 4-5/16" height	 Pendant p.90 Wall p.90		 Pendant p.90 Pendant p.90 Wall p.90 Wall p.90
Direct Multi-Mnt.	M60 2-3/8" width 3-9/16" height	 Slot Grid p.26 Spackle Flange p.30 Surface p.82 Pendant p.82 Wall p.82		 Slot Grid p.26 Spackle Flange p.30 Surface p.82 Pendant p.82 Wall p.82 Track also available for all fixtures.
Direct Recessed	M6R 2-3/8" width 3-9/16" height	 Recessed p.22 M60 RECESSED APPLICATIONS - Suspension Clips, Factory Installed Studs, Rotating Crossbars and Perimeter Mount (Decoustic [®] Ceiling Panel mounting p.26)		 Recessed p.22 M60 RECESSED APPLICATIONS - Suspension Clips, Factory Installed Studs, Rotating Crossbars and Perimeter Mount (Decoustic [®] Ceiling Panel mounting p.26)
Direct Multi-Mnt.	M10 4" width 4" height	 Slot Grid p.38 Spackle Flange p.42 Surface p.86 Pendant p.86 Wall p.86	 Slot Grid p.38 Spackle Flange p.42 Surface p.86 Pendant p.86 Wall p.86	 Slot Grid p.38 Spackle Flange p.42 Surface p.86 Pendant p.86 Wall p.86 Track also available for all fixtures.
Direct Recessed.	M1R1/2 4" width 4" height	 Recessed p.34 M100 RECESSED APPLICATIONS - Suspension Clips, Factory Installed Studs, Rotating Crossbars and Perimeter Mount (Decoustic [®] Ceiling Panel mounting p.38)	 Recessed p.34 M100 RECESSED APPLICATIONS - Suspension Clips, Factory Installed Studs, Rotating Crossbars and Perimeter Mount (Decoustic [®] Ceiling Panel mounting p.38)	 Recessed p.34 M100 RECESSED APPLICATIONS - Suspension Clips, Factory Installed Studs, Rotating Crossbars and Perimeter Mount (Decoustic [®] Ceiling Panel mounting p.38)
Direct Tannenbaum Recessed	M1N0 4" width 5" height	 Slot Grid p.50 Spackle Flange p.54	 Slot Grid p.50 Spackle Flange p.54	 Slot Grid p.50 Spackle Flange p.54
	M1N1/2 4" width 5" height	 Recessed p.46 TANNENBAUM RECESSED APPLICATIONS - Suspension Clips, Factory Installed Studs, Rotating Crossbars, and Perimeter Mount (Decoustic [®] Ceiling Panel mounting p.50)	 Recessed p.46 TANNENBAUM RECESSED APPLICATIONS - Suspension Clips, Factory Installed Studs, Rotating Crossbars and Perimeter Mount (Decoustic [®] Ceiling Panel mounting p.50)	 Recessed p.46 TANNENBAUM RECESSED APPLICATIONS - Suspension Clips, Factory Installed Studs, Rotating Crossbars and Perimeter Mount (Decoustic [®] Ceiling Panel mounting p.50)
Direct Super Recessed	M1B0 4" width 6" height	 Slot Grid p.62 Spackle Flange p.66	 Slot Grid p.62 Spackle Flange p.66	 Slot Grid p.62 Spackle Flange p.66
	M1B1/2 4" width 6" height	 Recessed p.58 SUPER RECESSED APPLICATIONS - Suspension Clips, Factory Installed Studs, Rotating Crossbars and Perimeter Mount (Decoustic [®] Ceiling Panel mounting p.62)	 Recessed p.58 SUPER RECESSED APPLICATIONS - Suspension Clips, Factory Installed Studs, Rotating Crossbars and Perimeter Mount (Decoustic [®] Ceiling Panel mounting p.62)	 Recessed p.58 SUPER RECESSED APPLICATIONS - Suspension Clips, Factory Installed Studs, Rotating Crossbars and Perimeter Mount (Decoustic [®] Ceiling Panel mounting p.62)
Direct Semi-Recessed	M1S0 4" width 4" height	 Slot Grid p.14 Spackle Flange p.18	 Slot Grid p.14 Spackle Flange p.18	 Slot Grid p.14 Spackle Flange p.18
	M1S1/2 4" width 4" height	 Semi-Recessed p.10 SEMI-RECESSED APPLICATIONS - Suspension Clips, Factory Installed Studs, Rotating Crossbars and Perimeter Mount (Decoustic [®] Ceiling Panel mounting p.14)	 Semi-Recessed p.10 SEMI-RECESSED APPLICATIONS - Suspension Clips, Factory Installed Studs, Rotating Crossbars and Perimeter Mount (Decoustic [®] Ceiling Panel mounting p.14)	 Semi-Recessed p.10 SEMI-RECESSED APPLICATIONS - Suspension Clips, Factory Installed Studs, Rotating Crossbars and Perimeter Mount (Decoustic [®] Ceiling Panel mounting p.14)
Indirect	M1I 4" width 4" height	 Pendant p.94 Wall p.94	 Pendant p.94 Wall p.94	
Asymm. Multi-Mount	M1A 4" width 4" height	 Slot Grid p.72 Spackle Flange p.74 Surface p.96 Pendant p.96 Wall p.96		
Asymm. Recessed	M1R1A/2A 4" width 4" height	 Recessed p.70 RECESSED ASYMMETRICAL APPLICATIONS - Suspension Clips, Factory Installed Studs, Rotating Crossbars and Perimeter Mount (Decoustic [®] Ceiling Panel mounting p.72)		
Wall Washer Multi-Mount	M1W0 4" width 4" height	 Slot Grid p.78 Spackle Flange p.80		
Wall Washer Recessed	M1W1/2 4" width 4" height	 Recessed p.76 RECESSED WALL WASHER APPLICATIONS - Suspension Clips, Factory Installed Studs and Rotating Crossbars (Decoustic [®] Ceiling Panel mounting p.78)		

Series	Lamping (staggered)	
	1T5 / 1T5HO	2T5
Direct Multi-Mnt.	M60S 2-3/8" width 3-9/16" height  Slot Grid p.28  Spackle Flange p.32  Surface p.84  Pendant p.84  Wall p.84	
Direct Recessed	 M60 RECESSED APPLICATIONS - Suspension Clips, Factory Installed Studs, Rotating Crossbars and Perimeter Mount (Decoustic [®] Ceiling Panel mounting p.28)	
Direct Multi-Mnt.	M10S 4" width 4" height  Slot Grid p.40  Spackle Flange p.44  Pendant p.88  Wall p.88  Surface p.88	 Slot Grid p.40  Spackle Flange p.44  Pendant p.88  Wall p.88  Surface p.88
Direct Recessed	M1RxS 4" width 4" height  M100 RECESSED APPLICATIONS - Suspension Clips, Factory Installed Studs, Rotating Crossbars and Perimeter Mount (Decoustic [®] Ceiling Panel mounting p.40)	 M100 RECESSED APPLICATIONS - Suspension Clips, Factory Installed Studs, Rotating Crossbars and Perimeter Mount (Decoustic [®] Ceiling Panel mounting p.40)
Direct Tannenbaum Recessed	M1N0S 4" width 5" height  Slot Grid p.52  Spackle Flange p.56	 Slot Grid p.52  Spackle Flange p.56
	M1NxS 4" width 5" height  TANNENBAUM RECESSED APPLICATIONS - Suspension Clips, Factory Installed Studs, Rotating Crossbars and Perimeter Mount (Decoustic [®] Ceiling Panel mounting p.52)	 TANNENBAUM RECESSED APPLICATIONS - Suspension Clips, Factory Installed Studs, Rotating Crossbars and Perimeter Mount (Decoustic [®] Ceiling Panel mounting p.52)
Direct Super Recessed	M1B0S 4" width 6" height  Slot Grid p.64  Spackle Flange p.68	 Slot Grid p.64  Spackle Flange p.68
	M1BxS 4" width 6" height  SUPER RECESSED APPLICATIONS - Suspension Clips, Factory Installed Studs, Rotating Crossbars and Perimeter Mount (Decoustic [®] Ceiling Panel mounting p.64)	 SUPER RECESSED APPLICATIONS - Suspension Clips, Factory Installed Studs, Rotating Crossbars and Perimeter Mount (Decoustic [®] Ceiling Panel mounting p.64)
Direct Semi-Recessed	M1S0S 4" width 4" height  Slot Grid p.16  Spackle Flange p.20	 Slot Grid p.16  Spackle Flange p.20
	M1SxS 4" width 4" height  SEMI-RECESSED APPLICATIONS - Suspension Clips, Factory Installed Studs, Rotating Crossbars and Perimeter Mount (Decoustic [®] Ceiling Panel mounting p.16)	 SEMI-RECESSED APPLICATIONS - Suspension Clips, Factory Installed Studs, Rotating Crossbars and Perimeter Mount (Decoustic [®] Ceiling Panel mounting p.16)

6063-T5 Extruded Aluminum Fixture Housings

Aluminum extrusions provide a high strength-to-weight ratio, close tolerances, ease of joining, and excellent corrosion resistance. 6063-T5 alloy is an optimal grade for linear light fixtures that will retain a clean even form, even in long runs or large geometric configurations. Extruded aluminum will not emit any toxic or hazardous fumes when exposed to high temperatures. It will not burn and is highly recyclable.



"Multi-Mount" Extrusion Forms (Mxx"0") (Flangeless extrusions)

- Pendant Mount
- Surface Mount
- Wall Mount
- Telescoping Endcaps
- Recessed - Slot Grid Ceiling
- Recessed - Spackle Flange (drywall wall/ceiling)
- Recessed - Thick Ceiling Panels

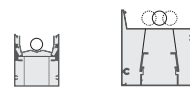
"Recessed" Extrusion Forms (Mxx"1 or 2") (Flanged extrusions with integral hanging ears)

- Recessed - Suspension Clips
- Recessed - Factory Installed Studs
- Recessed - Rotating Crossbars
- Recessed - Perimeter Mount



"Direct/Indirect" Extrusion Form (M6DI) (Flangeless extrusion)

- M60 Direct/Indirect - Pendant and Wall Mount



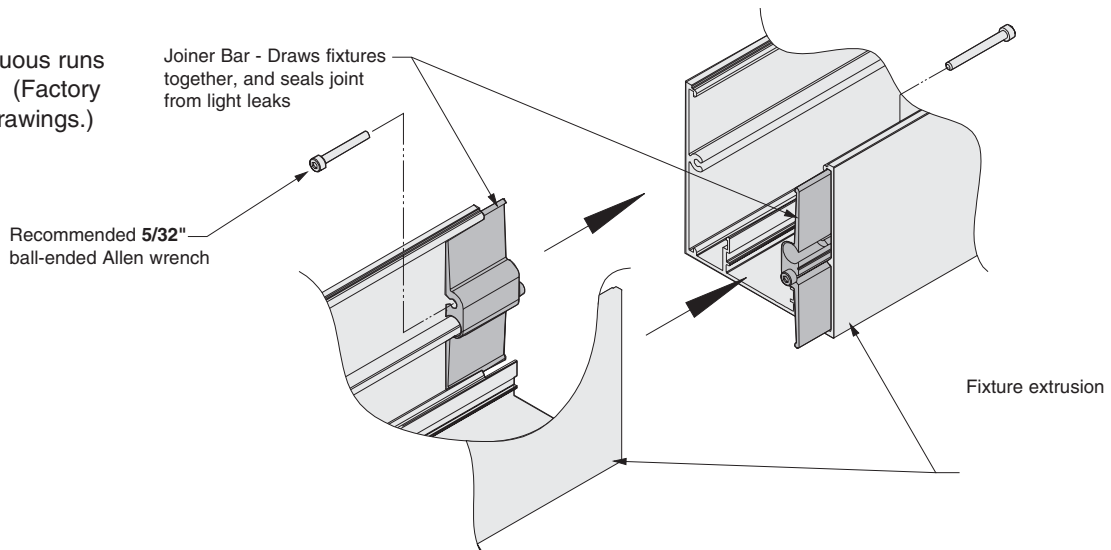
"Indirect" Extrusion Forms (M6S/M11) (Flangeless extrusions)

- M60 Indirect - Pendant and Wall Mount
- M100 Indirect - Pendant and Wall Mount

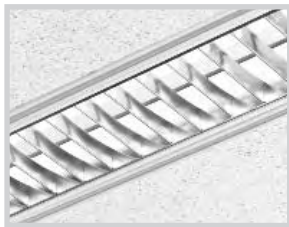
Connector Plus Joining System

All M100 fixtures use our unique "Connector Plus" joining system. This pressure-draw splining system ensures a clean and tight transition at the connection and termination points.

Standard for continuous runs and configurations. (Factory will supply layout drawings.)



Shielding Options



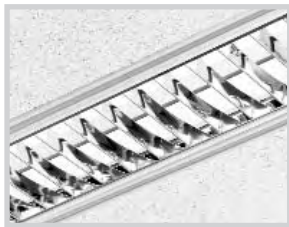
Silky Specular Parabolic Louver
M60/M100



Satine Lens
M60/M100



Extra Diffuse Lens
M60/M100



Specular Parabolic Louver
M100



Matte Parabolic Louver
M100



Perforated Matte Parabolic
M100

Standard and Custom Fixture Lengths

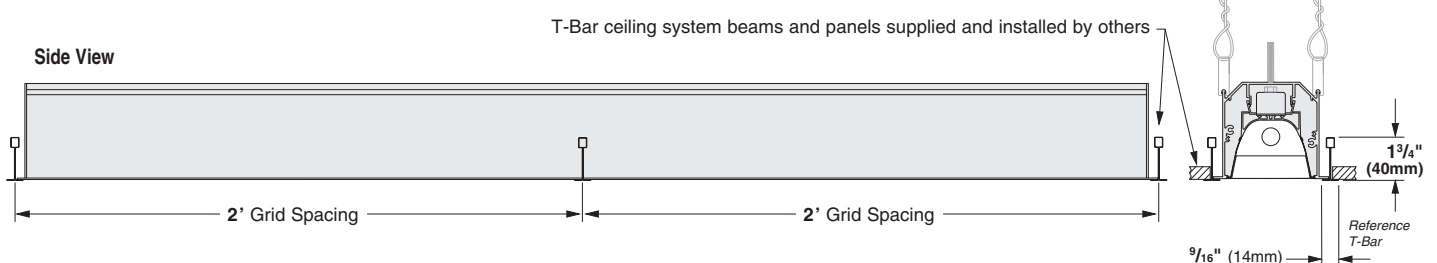
M-Series fixtures are available in standard nominal 4', 8' and 12' lengths, as well as in customer specified exact custom lengths. Actual dimensions for standard nominal lengths are indicated on the "Layout Dimensions" page for each fixture. To specify custom lengths, continuous runs or custom configurations, indicate total length on spec sheet and submit with drawing/sketch showing desired fixture dimensions and placement of optional accessories. Upon order, SELUX will prepare submittal drawings for approval.

T-Bar and Slot Grid Ceiling Systems

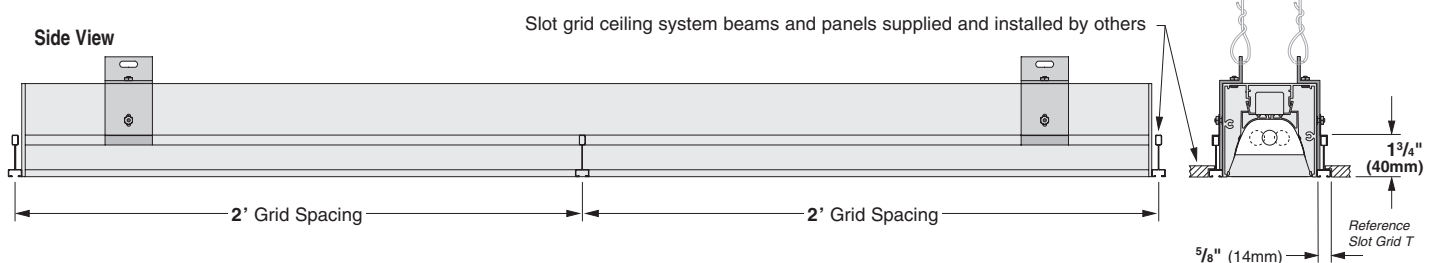
T-Option: TB will assure fixture length to be configured for 2' T-Bar grid ceiling systems (lay-in).

Slot Grid: Refer to Slot Grid spec sheets (see table of contents) for specifying fixtures for Slot Grid ceilings. For 30" grid or other grid systems, please consult factory.

2' grid T-Bar ceiling systems (for other ceiling grid systems, please consult factory)



2' Slot Grid ceiling systems (for other ceiling grid systems, please consult factory)



Fixture Length Configurations with Staggered Lamping

In order to greatly minimize shadow areas around lamp sockets, M-Series fixtures can be specified with "Staggered Lamps" whereby adjacent lamps are mounted with at least a 4" overlap. Separate spec sheets are provided for staggered lamp fixtures. For 1T5 fixtures under 18 ft. and 2T5 fixtures under 22 ft., the length of the light cavity should fall within the ranges given below to retain optimal 4" overlap of lamps.

Optimal Range of Light Cavity Lengths for 1T5 Staggered Lamp Fixtures under 18 ft.

All longer lengths optimal. ("Light Cavity Length" refers to the available length of light in a fixture. Add fixture flange and/or endcaps for overall fixture length, refer to fixture layout pages for details.)

Nominal Length	Minimum Length	Maximum Length	Diagram	Notes
3 ft.	34.57" 878mm	34.57" 878mm		Not a staggered lamp fixture, shown for reference only.
4 ft.	46.38" 1178mm	46.38" 1178mm		Not a staggered lamp fixture, shown for reference only.
5 ft.	63.13" 1604mm	65.13" 1654mm		
6 ft.	74.94" 1904mm	76.94" 1954mm		
7 ft.	86.76" 2204mm	88.76" 2254mm		
7 ft.	91.70" 2329mm	95.70" 2431mm		
8 ft.	103.51" 2629mm	107.51" 2731mm		
9 ft.	115.32" 2929mm	119.32" 3031mm		
10 ft.	120.27" 3055mm	126.27" 3207mm		
10 ft.	127.13" 3229mm	131.13" 3331mm		
11 ft.	132.08" 3355mm	138.08" 3507mm		
11 ft.	143.89" 3655mm	149.89" 3807mm		
12 ft.	148.83" 3780mm	156.83" 3984mm		
12 ft.	155.70" 3955mm	161.70" 4107mm		
13 ft.	160.65" 4080mm	168.65" 4284mm		
13 ft.	167.51" 4255mm	173.51" 4407mm		
14 ft.	172.46" 4380mm	180.46" 4584mm		
15 ft.	184.27" 4680mm	192.27" 4884mm		
16 ft.	196.08" 4980mm	204.08" 5184mm		
17 ft.	205.97" 5232mm	217.97" 5536mm		
17 ft.	207.89" 5280mm	215.89" 5484mm		

M-Series

Linear Fluorescent Luminaires



Optimal Range of Light Cavity Lengths for 2T5 Staggered Lamp Fixtures under 22 ft.
All longer lengths optimal. ("Light Cavity Length" refers to the available length of light in a fixture. Add fixture flange and/or endcaps for overall fixture length, refer to fixture layout pages for details.)

Nominal Length	Minimum Length	Maximum Length	
3 ft.	40.57" 1030mm	40.57" 1030mm	3 ft. Lamps
4 ft.	52.38" 1330mm	52.38" 1330mm	4 ft. Lamps
6 ft.	75.13" 1908mm	77.13" 1959mm	3 ft. Lamps 3 ft. Lamps
7 ft.	86.94" 2208mm	88.94" 2259mm	3 ft. Lamps 4 ft. Lamps
8 ft.	98.76" 2508mm	100.76" 2559mm	4 ft. Lamps 4 ft. Lamps
9 ft.	109.70" 2786mm	113.70" 2888mm	3 ft. Lamps 3 ft. Lamps 3 ft. Lamps
10 ft.	121.51" 3086mm	125.51" 3188mm	3 ft. Lamps 4 ft. Lamps 3 ft. Lamps
11 ft.	133.32" 3386mm	137.32" 3488mm	4 ft. Lamps 3 ft. Lamps 4 ft. Lamps
12 ft.	144.27" 3664mm	150.27" 3817mm	3 ft. Lamps 3 ft. Lamps 3 ft. Lamps 3 ft. Lamps
12 ft.	145.13" 3686mm	149.13" 3788mm	4 ft. Lamps 4 ft. Lamps 4 ft. Lamps
13 ft.	156.08" 3964mm	162.08" 4117mm	3 ft. Lamps 3 ft. Lamps 3 ft. Lamps 4 ft. Lamps
14 ft.	167.89" 4264mm	173.89" 4417mm	4 ft. Lamps 3 ft. Lamps 3 ft. Lamps 4 ft. Lamps
15 ft.	178.83" 4542mm	186.83" 4746mm	3 ft. Lamps 3 ft. Lamps 3 ft. Lamps 3 ft. Lamps 3 ft. Lamps
15 ft.	179.70" 4564mm	185.70" 4717mm	4 ft. Lamps 4 ft. Lamps 4 ft. Lamp 3 ft. Lamp
16 ft.	190.65" 4842mm	198.65" 5046mm	3 ft. Lamps 3 ft. Lamps 3 ft. Lamps 3 ft. Lamps 4 ft. Lamps
16 ft.	191.51" 4864mm	197.51" 5017mm	4 ft. Lamps 4 ft. Lamps 4 ft. Lamps 4 ft. Lamps
17 ft.	202.46" 5142mm	210.46" 5346mm	4 ft. Lamps 4 ft. Lamps 3 ft. Lamps 3 ft. Lamps 3 ft. Lamps
18 ft.	214.27" 5442mm	222.27" 5646mm	3 ft. Lamps 3 ft. Lamps 4 ft. Lamps 4 ft. Lamps 4 ft. Lamps
19 ft.	226.08" 5742mm	234.08" 5946mm	3 ft. Lamps / 4 ft. Lamps / 4 ft. Lamps / 4 ft. Lamps / 4 ft. Lamps
20 ft.	237.89" 6042mm	245.89" 6246mm	4 ft. Lamps / 4 ft. Lamps / 4 ft. Lamps / 4 ft. Lamps / 4 ft. Lamps
21 ft.	247.97" 6298mm	259.97" 6603mm	3 ft. Lamps / 3 ft. Lamps / 3 ft. Lamps / 3 ft. Lamps / 3 ft. Lamps / 3 ft. Lamps / 3 ft. Lamps
21 ft.	248.83" 6320mm	258.83" 6574mm	3 ft. Lamps / 3 ft. Lamps / 3 ft. Lamps / 4 ft. Lamps / 4 ft. Lamps / 4 ft. Lamps
22 ft.	259.78" 6598mm	271.78" 6903mm	3 ft. Lamps / 3 ft. Lamps / 3 ft. Lamps / 3 ft. Lamps / 3 ft. Lamps / 3 ft. Lamps / 4 ft. Lamps

Staggered Lamping Effects with Various Configurations

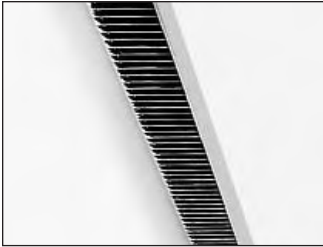
1T5 Lamping and Extra Diffuse Lens (OD) shielding is recommended with Staggered Lamps for optimal socket shadow elimination. See chart for effects with other fixture/shielding/lamping configurations.

		MA/MP/SP Parabolic Louvers		SD Satine Lens		OD Extra Diffuse Lens	
		Socket Shadow Appearance when Looking at Luminaire	Projection on Wall when Used with Perimeter Mount	Socket Shadow Appearance when Looking at Luminaire	Projection on Wall when Used with Perimeter Mount	Socket Shadow Appearance when Looking at Luminaire	Projection on Wall when Used with Perimeter Mount
M60 Recessed M6R1/2 M60	1T5			Socket Shadows Apparent	Minimal Projection on Wall	No Visible Socket Shadows	No Visible Projection on Wall
	1T5HO			Socket Shadows More Apparent	Minimal Projection on Wall	Very Minimal Socket Shadows	No Visible Projection on Wall
M100 Recessed (4" ht.) M1R1/2 M100	1T5	Please consult factory for details on non-standard configurations		Socket Shadows Visible	No Projection on Wall	No Visible Socket Shadows	No Visible Projection on Wall
	1T5HO			Socket Shadows More Apparent	Visible Projection on Wall	Very Minimal Socket Shadows	No Visible Projection on Wall
	2T5			Socket Shadows More Apparent	Visible Projection on Wall	Socket Shadows Visible but Subdued	Minimal Projection on Wall
M100 Tannenbaum (5" ht.) M1N1/2 M1N0	1T5			Socket Shadows Apparent	No Visible Projection on Wall	No Visible Socket Shadows	No Visible Projection on Wall
	1T5HO			Socket Shadows More Apparent	Very Minimal Projection on Wall	Very Minimal Socket Shadows	No Visible Projection on Wall
	2T5			Socket Shadows More Apparent	Minimal Projection on Wall	Socket Shadows Visible but Subdued	Minimal Projection on Wall
M100 Super Recessed (6" ht.) M1B1/2 M1B0	1T5	Socket Shadows Only Visible Under Steep Angle	No Visible Projection on Wall	Socket Shadows Visible but Subdued	No Visible Projection on Wall	No Visible Socket Shadows	No Visible Projection on Wall
	1T5HO	Socket Shadows Only Visible Under Steep Angle	No Visible Projection on Wall	Socket Shadows Visible but Subdued	Very Minimal Projection on Wall	Very Minimal Socket Shadows	No Visible Projection on Wall
	2T5	Socket Shadows Only Visible Under Steep Angle	Very Minimal Projection on Wall	Socket Shadows Visible but Subdued	Very Minimal Projection on Wall	No Visible Socket Shadows	No Visible Projection on Wall



M-Series Specification Sheets

M100 Semi-recessed Linear Fluorescent Flanged Extrusion



Project: _____ **Type:** _____ **Qty:** _____

Fixture Series	Lamp Type	Shielding	Mounting	Mounting Option	Nominal Length	Finish	Voltage

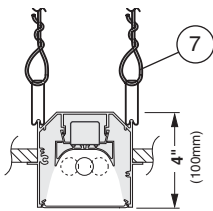
Options (refer to separate data sheets for ordering codes and details)

Fixture Series	Lamp Type	Shielding	Mounting	Nominal Length	Finish	Voltage	Options
M1S1 M100 Semi-recessed Continuous Flange (Flanged Extrusion/ Flanged Endcaps)	1T5 F28T5	SA Specular Parabolic	SH Suspension Clips	004 4 foot	WH White	120	TB Lengths to Fit 2' Grid T-Bar Ceiling System ¹ (qty.)EM Stand-by Battery Pack ² (prefixed quantity, i.e. - 5EM) FS Single Fusing DM Dimming ² (specify system) DMA Digital Addressable Dimming ² SI Satine Acrylic Inlay ⁴ FW Flex Whip (standard) FW1 Flex Whip (dimming) Track Eutrac Standard ³ DL Suitable for Damp Locations CCEA Chicago Plenum Downlights (See MR16 spec sheets, pp.98 - 99)
	2T5 (2x)F28/T5	MA Matte Parabolic	TS 1" Studs (factory installed)	008 8 foot	BK Black	277	
	1T5HO F54T5HO	MP Silky Specular Parabolic	RC Rotating Crossbars	012 12 foot	SV Silver	347	
M1S2 M100 Semi-recessed Flush End (Flanged Extrusion/ Flangeless Endcaps)	1T8 F032/T8	PL Matte Perforated Parabolic	PM Perimeter Mount	For actual lengths see following page. For other lengths, configurations indicate nominal length rounded to the next highest foot. Factory will supply layout drawings. Individual fixtures cannot be field joined.			
		SD Satine Lens			SP Specify RAL#		
		OD Extra Diffuse Lens					
		X None					

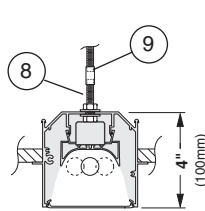
¹T5 & T5HO lamps only, consult factory for other lamps. ²Must be low profile ballasts (1 1/2" W x 1 1/8" H); Consult factory for details. ³Consult factory for details. ⁴SA, MA, MP & PL shieldings only.

Mounting Diagrams

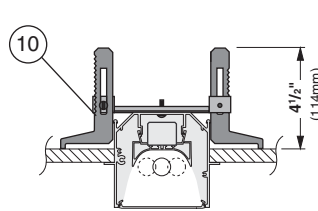
Suspension Clips (SH)



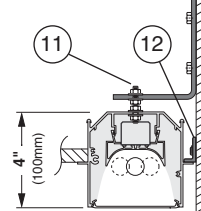
Pre-installed Rod (TS)



Rotating Crossbars (RC)



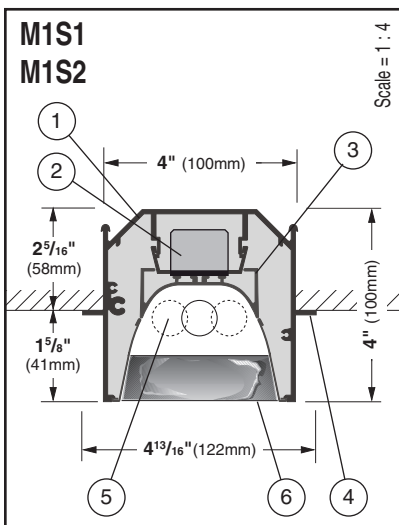
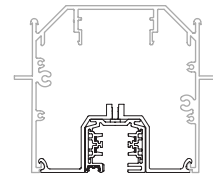
Perimeter Mount (PM)



Scale = 1 : 8

Track

Track insert including track available for all configurations, consult factory for details.



1. Housing - Continuous, 6063-T5 extruded aluminum profile up to 16 feet long. Joined with Connector Plus Joining System for ease of installation and to assure a uniform appearance.

2. Ballast - Electronic, high power factor, class "P", type "A" sound rating. Specify 120v, 277v, or 347v. Ballast is factory pre-wired with leads to one end of fixture. Consult factory for ballast options.

3. Gear Tray - Extruded aluminum, with white painted finish. Gear tray installed as a complete electrical unit and is held in place with knurled dress nuts. It is fully accessible from below ceiling.

4. Flange - 1/2" (12mm) wide flange runs full lengths of both sides and is part of the main extruded body. Specify continuous flange (M1S1) or flush end (M1S2).

5. Lamps - As noted (by others). Other lamp lengths or wattages available, consult factory.

6. Shielding - Louvers offer excellent glare control in longitudinal, lateral, and all diagonal planes. High quality aluminum louvers and acrylic shielding allow true freedom of layout for today's modern spaces.

7. Spring steel suspension clips - Supplied two places, located nominally every 4 ft. Support wires Supplied and installed by others.

8. Pre-installed 1" 1/4-20 Studs - Attached to fixture every nominal 4 feet.

9. Coupling and Threaded Rod to Structure - Supplied and installed by others.

10. Rotating Crossbar - For inaccessible ceilings, adjustable for ceiling thicknesses from 1/4" to 2". Support required nominally every 4'.

11. Steel Wall Bracket and 1/4-20 Rod - Supplied nominally every 4 ft. (Fasteners to wall and wall anchors by others.)

12. Aluminum Wall Bracket - Secured to wall (fasteners and wall anchors by others) and runs entire length of fixture. Also supplied for width of fixtures when supplied with continuous flange. Allows for 1/8" gap between flange and wall to create shadow line allowing for unevenness of wall.

Interior Luminaire Finish - Standard interior colors are White (WH), Black (BK) and Silver (SV). RAL Classic colors (SP) are available, please specify RAL#.

SELUX Corp. © 2006
 TEL: (845) 691-7723
 FAX: (845) 691-6749
 www.selux.com/usa
 M1S1-0905-01 (v5.0)



Union Made Affiliated
 with IBEW Local 363

In a continuing effort to offer the best product possible, we reserve the right to change, without notice, specifications or materials that in our opinion will not alter the function of the product. Specification sheets found at www.selux.com/usa are the most recent versions and supercede all other printed or electronic versions.

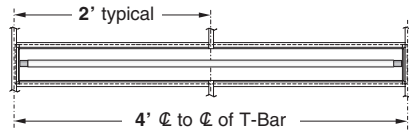
M1S1 and M1S2 Layout Dimensions

Specify T5 lamps when using in grid ceiling systems where 24" or 48" light openings are required.

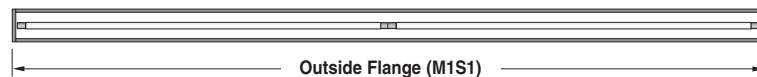
M1S1 Semi-recessed - nominal 4 foot individual



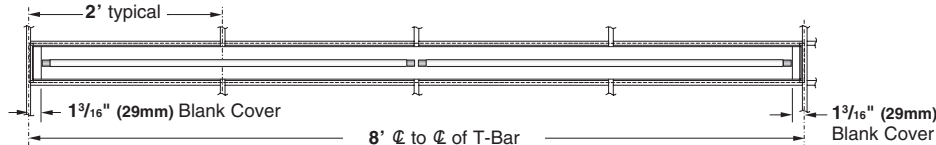
M1S1 Semi-semi-recessed - T-Bar Length - nominal 4 foot individual



M1S1 Semi-recessed - nominal 8 foot individual



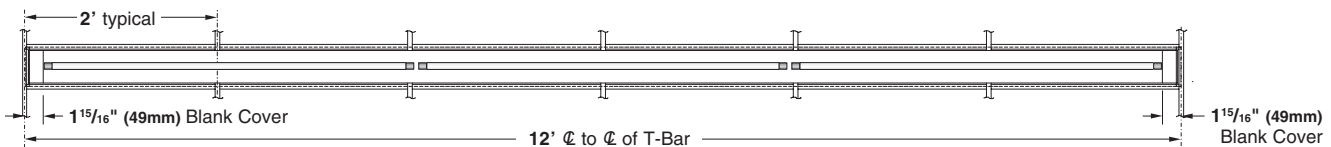
M1S1 Semi-recessed - T-Bar Length - nominal 8 foot individual



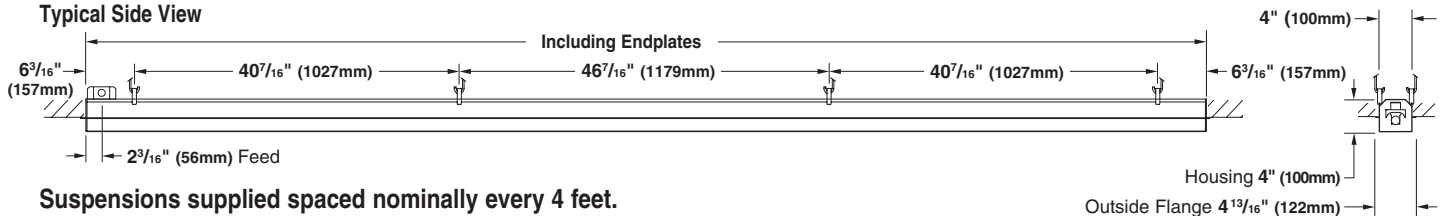
M1S1 Semi-recessed - nominal 12 foot individual



M1S1 Semi-recessed - T-Bar Length - nominal 12 foot individual



Typical Side View



Suspensions supplied spaced nominally every 4 feet.

Fixture supplied with 7/8 knockout located 2 3/16" from end in top of fixture.

Continuous Flange (M1x1)



(M1R1 Shown)

Flush End (M1x2)



(M1R2 Shown)

	T5 (1 or 2 lamp)				T8 (1 lamp)	
	M1S1/M1S2 Including Endplates	M1S1 Outside Flange	M1S1/M1S2 - TB Including Endplates	M1S1 - TB Outside Flange	M1S1/M1S2 Including Endplates	M1S1 Outside Flange
4 foot individual	46.81" (1186mm)	47.58" (1209mm)	47.03" (1195mm)	47.91" (1216mm)	48.33" (1228mm)	49.20" (1250mm)
8 foot individual	93.21" (2365mm)	94.00" (2388mm)	95.03" (2414mm)	95.91" (2436mm)	96.37" (2448mm)	97.24" (2470mm)
12 foot individual	139.65" (3544mm)	140.41" (3567mm)	143.03" (3633mm)	143.91" (3655mm)	144.41" (3668mm)	145.28" (3690mm)

For other lengths, lamping, continuous runs or configurations please specify overall length (in feet), accessories desired and sketch/drawing of configuration. SELUX will detail project drawings upon order and supply submittal drawings for approval. Individual fixtures cannot be field joined. If you have any questions please contact SELUX customer service or applications engineering for assistance (1-800-SELUX-CS).

M100 Semi-recessed Linear Fluorescent Flanged Extrusion - STAGGERED LAMPS



Project: _____ Type: _____ Qty: _____

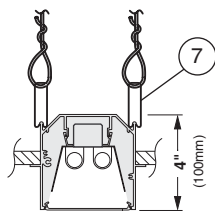
Fixture Series	Lamp Type	Shielding	Mounting	Mounting Option	Nominal Length	Finish	Voltage

Options (refer to separate data sheets for ordering codes and details)

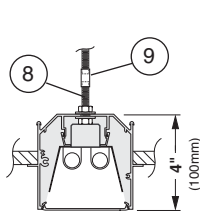
Fixture Series	Lamp Type	Shielding	Mounting	Nominal Length	Finish	Voltage	Options
M1S1S M100 Semi-recessed Continuous Flange (Flanged Extrusion/Flanged Endcaps) Staggered Lamps M1S2S M100 Semi-recessed Flush End (Flanged Extrusion/Flangeless Endcaps) Staggered Lamps	1T5 F28T5 1T5HO F54T5HO 2T5 (2x)F28/T5	SD Satine Lens OD Extra Diffuse Lens	SH Suspension Clips TS 1" Studs (factory installed) RC Rotating Crossbars PM Perimeter Mount	008 8 foot 012 12 foot For actual lengths see following page. For other lengths, configurations indicate nominal length rounded to the next highest foot. Factory will supply layout drawings. Individual fixtures cannot be field joined.	WH White BK Black SV Silver SP Specify RAL#	120 277 347	TB Lengths to Fit 2' Grid T-Bar Ceiling System (qty.)EM Stand-by Battery Pack ¹ (prefix quantity, i.e. - 5EM) FS Single Fusing DM Dimming ¹ (specify system) DMA Digital Addressable Dimming ¹ FW Flex Whip (standard) FW1 Flex Whip (dimming) Track Eutrac Standard ² DL Suitable for Damp Locations CCEA Chicago Plenum Downlights (See MR16 spec sheets, pp.98-99)
	<p style="text-align: center;">¹ Must be low profile ballasts (1/2" W x 1 3/16" H); consult factory for details. ² Consult factory for details.</p>						

Mounting Diagrams

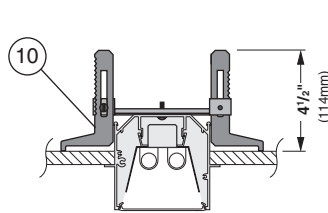
Suspension Clips (SH)



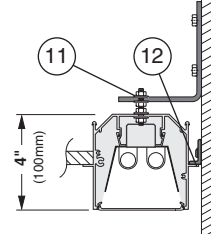
Pre-installed Rod (TS)



Rotating Crossbars (RC)

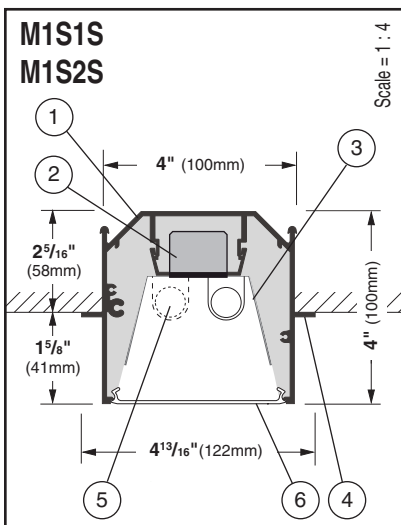
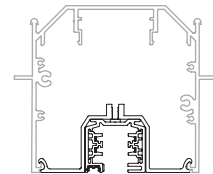


Perimeter Mount (PM)



Track

Track insert including track available for all configurations, consult factory for details.



1. Housing - Continuous, 6063-T5 extruded aluminum profile up to 16 feet long. Joined with Connector Plus Joining System for ease of installation and to assure a uniform appearance.

2. Ballast - Electronic, high power factor, class "P", type "A" sound rating. Specify 120v, 277v, or 347v. Ballast is factory pre-wired with leads to one end of fixture. Consult factory for ballast options.

3. Gear Tray - Die formed gear tray with integral factory preset sliding covers to fill extrusion with light, with a matt white finish for even illumination. Geartray installs as complete electrical unit and is held in place with knurled dress nuts. It is fully accessible from below ceiling.

4. Flange - 1/2" (12mm) wide flange runs full lengths of both sides and is part of the main extruded body. Specify continuous flange (M1S1S) or flush end (M1S2S).

5. Lamps - As noted (by others). Other lamp lengths or wattages available, consult factory.

6. Shielding - Choose between **OD** Extra Diffuse Lens and **SD** Satine Lens. See page 8 for more details.

7. Spring steel suspension clips - Supplied two places, located nominally every 4 ft. Support wires Supplied and installed by others.

8. Pre-installed 1" 1/4-20 Studs - Attached to fixture every nominal 4 feet.

9. Coupling and Threaded Rod to Structure - Supplied and installed by others.

10. Rotating Crossbar - For inaccessible ceilings, adjustable for ceiling thicknesses from 1/4" to 2". Support required nominally every 4'.

11. Steel Wall Bracket and 1/4-20 Rod - Supplied nominally every 4 ft. (Fasteners to wall and wall anchors by others.)

12. Aluminum Wall Bracket - Secured to wall (fasteners and wall anchors by others) and runs entire length of fixture. Also supplied for width of fixtures when supplied with continuous flange. Allows for 1/8" gap between flange and wall to create shadow line allowing for unevenness of wall.

Interior Luminaire Finish - Standard interior colors are White (WH), Black (BK) and Silver (SV). RAL Classic colors (SP) are available, please specify RAL#.

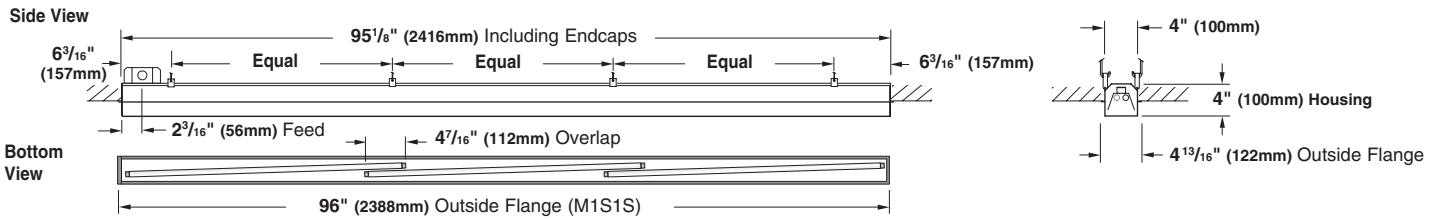
SELUX Corp. © 2006
 TEL: (845) 691-7723
 FAX: (845) 691-6749
 www.selux.com/usa
 M1S1S-01 (v5.0)



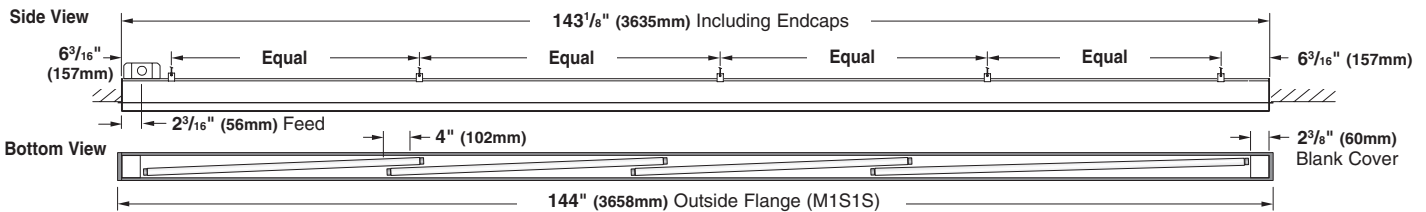
In a continuing effort to offer the best product possible, we reserve the right to change, without notice, specifications or materials that in our opinion will not alter the function of the product. Specification sheets found at www.selux.com/usa are the most recent versions and supercede all other printed or electronic versions.

M1S1S/M1S2S (Single Staggered Lamps) Standard Layout Dimensions

Nominal 8 foot Individual

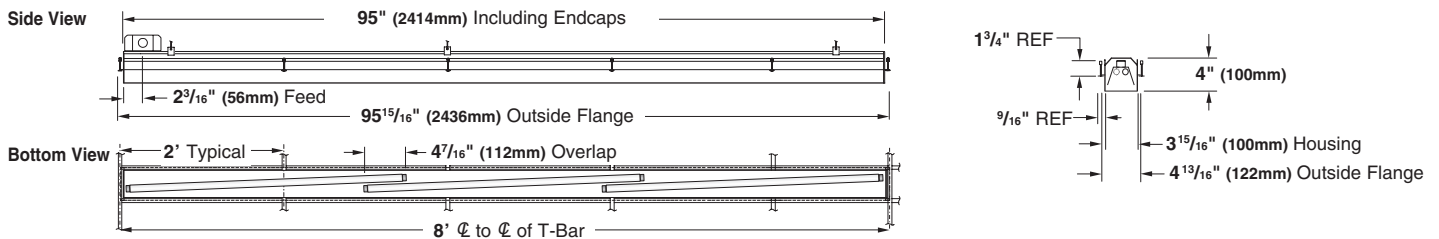


Nominal 12 foot Individual

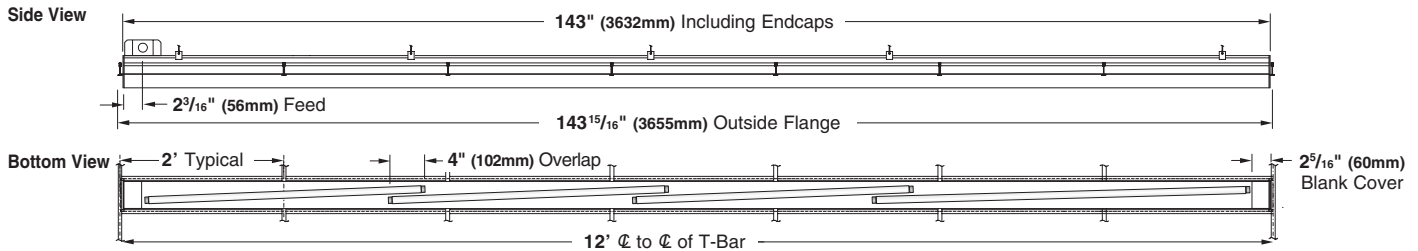


M1S1S (Single Staggered Lamps) T-Bar Layout Dimensions (option - TB)

Nominal 8 foot Individual



Nominal 12 foot Individual



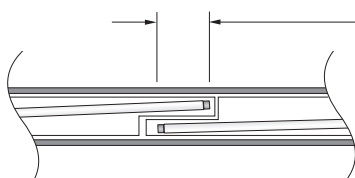
Suspensions supplied spaced nominally every 4 feet. Fixture supplied with 7/8 knockout located 2 3/16" from end in top of fixture. See chart on page 6 for optimal custom lengths under 18 ft. Any length over 18 ft. possible, see below.

For other lengths, lamping, continuous runs or configurations please specify overall length (in feet), accessories desired and sketch/drawing of configuration. SELUX will detail project drawings upon order and supply submittal drawings for approval. Individual fixtures cannot be field joined. If you have any questions please contact SELUX customer service or applications engineering for assistance (1-800-SELUX-CS).

M1S1S/M1S2S (Double Staggered Lamps) Layout Dimensions -

Factory will provide submittal drawings. See chart on page 7 for lengths under 22 ft.

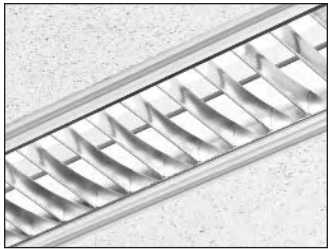
Staggered Lamps Principle



Lamps are spaced with 4" to 6" overlap to completely illuminate luminaire and eliminate socket shadows. Factory will supply approval drawings for other lengths using combinations of 21W & 28W T5 lamps or 39W & 54W T5HO lamps.

Minimal socket shadows may be visible at certain angles. Refer to page 8 for more information.

M100 Semi-recessed Linear Fluorescent Slot Grid



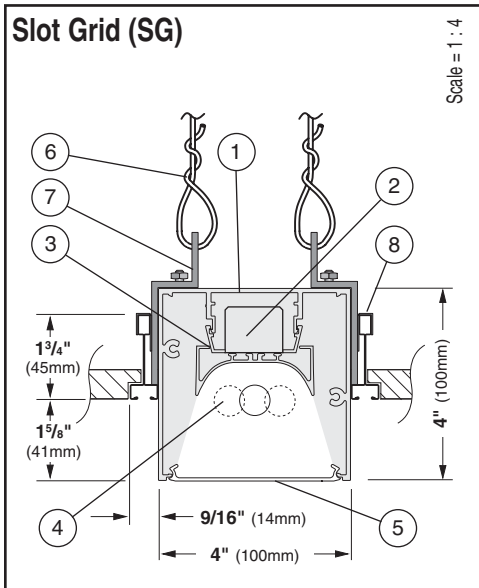
Slot Grid Recessed shown

Project: _____ **Type:** _____ **Qty:** _____

M1S0			SG			
Fixture Series	Lamp Type	Shielding	Mounting	Nominal Length	Finish	Voltage
_____	_____	_____	_____	_____	_____	_____

Options (refer to separate data sheets for ordering codes and details)

Fixture Series	Lamp Type	Shielding	Mounting	Nominal Length	Finish	Voltage	Options
M1S0 M100 Semi-recessed Multi-Mount Form	1T5 F28T5	SA Specular Parabolic	SG Slot Grid	004 4 foot	WH White	120 277 347	(qty) EM Stand-by Battery Pack ¹ (prefix quantity, i.e. - 5EM) FS Single Fusing DM Dimming ¹ (specify system) DMA Digital Addressable Dimming ¹ SI Satine Acrylic Inlay ³ FW Flex Whip (standard) FW1 Flex Whip (dimming) Track Eutrac Standard ² DL Suitable for Damp Locations CCEA Chicago Plenum Downlights (See MR16 spec sheets, pp.98-99)
	2T5 (2x)F28/T5	MA Matte Parabolic		008 8 foot	BK Black		
	1T5HO F54T5HO	MP Silky Specular Parabolic PL Matte Perforated Parabolic SD Satine Lens OD Extra Diffuse Lens X None		012 12 foot	SV Silver SP Specify RAL#		
				For actual lengths see following page. For other lengths, configurations indicate nominal length rounded to the next highest foot. Factory will supply layout drawings. Individual fixtures cannot be field joined.			
¹ Must be low profile ballasts (1 1/2" W x 1 3/16" H); consult factory for details. ² Consult factory for details. ³ SA, MA, MP & PL shieldings only.							



- Housing** - Continuous, 6063-T5 extruded aluminum profile up to 16 feet long. Joined with Connector Plus Joining System for ease of installation and to assure a uniform appearance.
- Ballast** - Electronic, high power factor, class "P", type "A" sound rating. Specify 120v, 277v, or 347v. Ballast is factory pre-wired with leads to one end of fixture. Consult factory for ballast options.
- Gear Tray** - Extruded aluminum, with white painted finish. Gear tray installed as a complete electrical unit and is held in place with knurled dress nuts. It is fully accessible from below ceiling.
- Lamps** - As noted (by others). Other lamp lengths or wattages available, consult factory.
- Shielding** - Louvers offer excellent glare control in longitudinal, lateral, and all diagonal planes. High quality aluminum louvers and acrylic shielding allow true freedom of layout for today's modern spaces.

- Support Wire to Structure** - Supplied and installed by others.
 - Support Bracket** - Supplied nominally every four feet.
 - Slot Grid Beam and Cross Tees** - Supplied and installed by others.
- Interior Luminaire Finish** - Standard interior colors are White (WH), Black (BK) and Silver (SV). RAL Classic colors (SP) are available, please specify RAL#.

SELUX Corp. © 2006
 TEL: (845) 691-7723
 FAX: (845) 691-6749
 www.selux.com/USA
 M1S0_SG-01 (v5.0)



Union Made Affiliated
 with IBEW Local 363

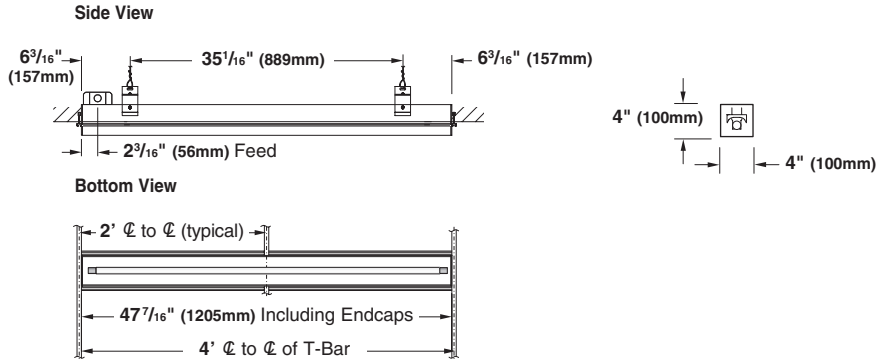
In a continuing effort to offer the best product possible, we reserve the right to change, without notice, specifications or materials that in our opinion will not alter the function of the product. Specification sheets found at www.selux.com/usa are the most recent versions and supercede all other printed or electronic versions.

M1S0 Slot Grid Layout Dimensions

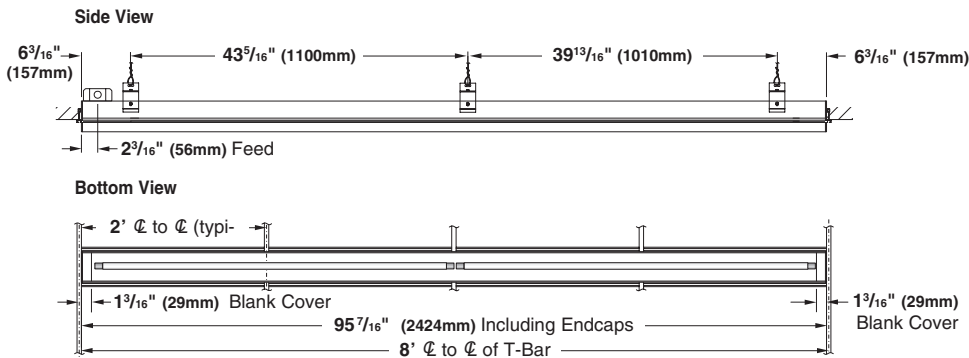
For T5 lamps only, for other lamping consult factory.

Nominal 4 foot Individual

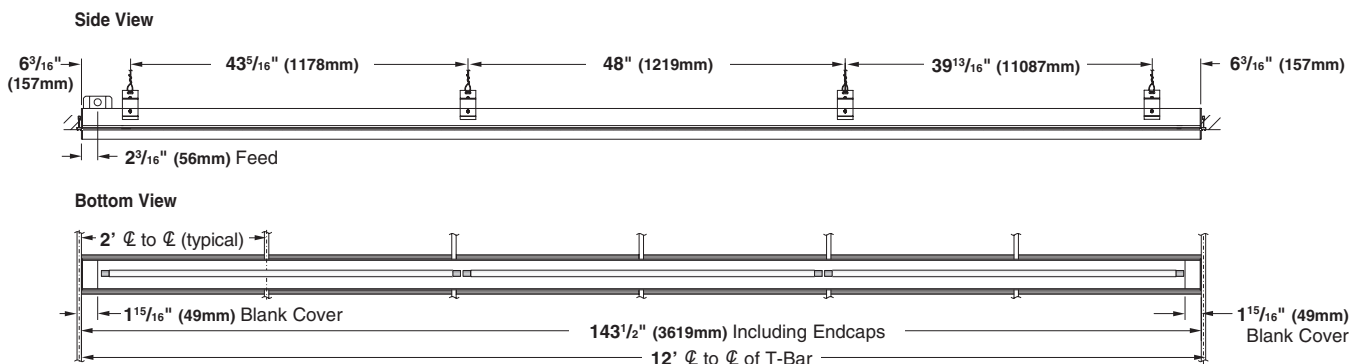
Typical End View (all lengths)



Nominal 8 foot Individual



Nominal 12 foot Individual



Fixture supplied with 7/8 knockout located 2³/₁₆" from end in top of fixture.

For other lengths, lamping, continuous runs or configurations please specify overall length (in feet), accessories desired and sketch/drawing of configuration. SELUX will detail project drawings upon order and supply submittal drawings for approval. Individual fixtures cannot be field joined. If you have any questions please contact SELUX customer service or applications engineering for assistance (1-800-SELUX-CS).

M100 Semi-recessed Linear Fluorescent Slot Grid - STAGGERED LAMPS

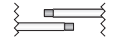



Slot Grid Recessed shown

Project: _____ Type: _____ Qty: _____

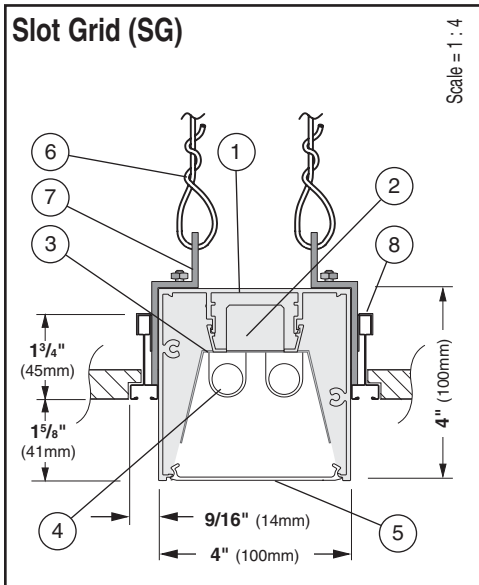
M1S0S			SG			
Fixture Series	Lamp Type	Shielding	Mounting	Nominal Length	Finish	Voltage

Options (refer to separate data sheets for ordering codes and details)

Fixture Series	Lamp Type	Shielding	Mounting	Nominal Length	Finish	Voltage	Options
M1S0S M100 Semi-recessed Multi-Mount Form Staggered Lamps	1T5 F28T5 1T5HO F54T5HO 	OD Extra Diffuse Lens SD Satine Lens	SG Slot Grid	008 8 foot 012 12 foot For actual lengths see following page. For other lengths, configurations indicate nominal length rounded to the next highest foot. Factory will supply layout drawings. Individual fixtures cannot be field joined.	WH White BK Black SV Silver SP Specify RAL#	120 277 347	(qty.) EM Stand-by Battery Pack ¹ (prefix quantity, i.e. - 5EM) FS Single Fusing DM Dimming ¹ (specify system) DMA Digital Addressable Dimming ¹ FW Flex Whip (standard) FW1 Flex Whip (dimming) Track Eutrac Standard ² DL Suitable for Damp Locations CCEA Chicago Plenum Downlights (See MR16 spec sheets, pp.98-99)
	2T5 (2x)F28/T5 						

¹Must be low profile ballasts (1 1/2" W x 1 3/16" H); consult factory for details.

²Consult factory for details.



1. Housing - Continuous, 6063-T5 extruded aluminum profile up to 16 feet long. Joined with Connector Plus Joining System for ease of installation and to assure a uniform appearance.

2. Ballast - Electronic, high power factor, class "P", type "A" sound rating. Specify 120v, 277v, or 347v. Ballast is factory pre-wired with leads to one end of fixture. Consult factory for ballast options.

3. Gear Tray - Die formed gear tray with integral factory preset sliding covers to fill extrusion with light, with a matt white finish for even illumination. Geartray installs as complete electrical unit and is held in place with knurled dress nuts. It is fully accessible from below ceiling.

4. Lamps - As noted (by others). Other lamp lengths or wattages available, consult factory.

5. Shielding - Choose between **OD** Extra Diffuse Lens and **SD** Satine Lens. See page 8 for more details.

6. Support Wire to Structure - Supplied and installed by others.

7. Support Bracket - Supplied nominally every four feet.

8. Slot Grid Beam and CrossTees - Supplied and installed by others.

Interior Luminaire Finish - Standard interior colors are White (WH), Black (BK) and Silver (SV). RAL Classic colors (SP) are available, please specify RAL#.

SELUX Corp. © 2006
 TEL: (845) 691-7723
 FAX: (845) 691-6749
 www.selux.com/usa
 M1S0S_SG-01 (v5.0)



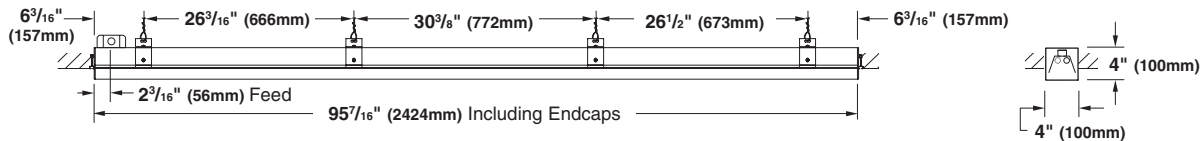
Union Made Affiliated
 with IBEW Local 363

In a continuing effort to offer the best product possible, we reserve the right to change, without notice, specifications or materials that in our opinion will not alter the function of the product. Specification sheets found at www.selux.com/usa are the most recent versions and supercede all other printed or electronic versions.

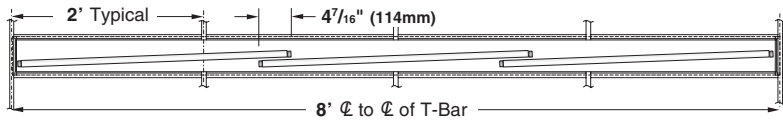
M1S0S (Single Staggered Lamps) Slot Grid Layout Dimensions

Nominal 8 foot Individual

Side View

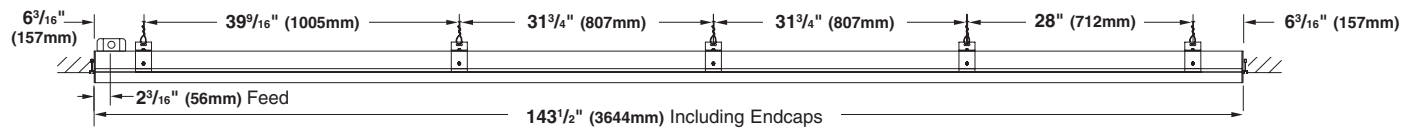


Bottom View

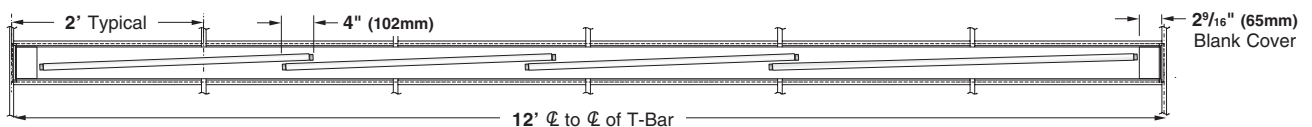


Nominal 12 foot Individual

Side View



Bottom View



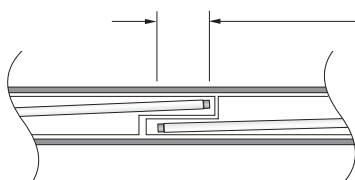
Fixture supplied with 7/8 knockout located 2 3/16" from end in top of fixture.

For other lengths, lamping, continuous runs or configurations please specify overall length (in feet), accessories desired and sketch/drawing of configuration. SELUX will detail project drawings upon order and supply submittal drawings for approval. Individual fixtures cannot be field joined. If you have any questions please contact SELUX customer service or applications engineering for assistance (1-800-SELUX-CS).

M1S0S Slot Grid (Double Staggered Lamps) Layout Dimensions -

Factory will provide submittal drawings. See chart on page 7 for lengths under 22 ft.

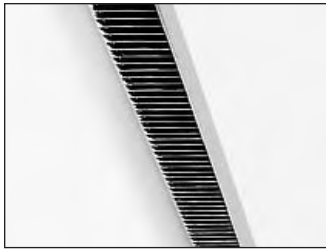
Staggered Lamps Principle



Lamps are spaced with 4" to 6" overlap to completely illuminate luminaire and practically eliminate socket shadows. Factory will supply approval drawings for other lengths using combinations of 21W & 28W T5 lamps or 39W & 54W T5HO lamps.

Minimal socket shadows may be visible at certain angles. Refer to page 8 for more information.

M100 Semi-recessed Linear Fluorescent Spackle Flange



Slot Grid Recessed shown

Project: _____ **Type:** _____ **Qty:** _____

M1S0	---	---	---	---	---	---	---
Fixture Series	Lamp Type	Shielding	Mounting	Nominal Length	Finish	Voltage	
---	---	---	---	---	---	---	

Options (refer to separate data sheets for ordering codes and details)

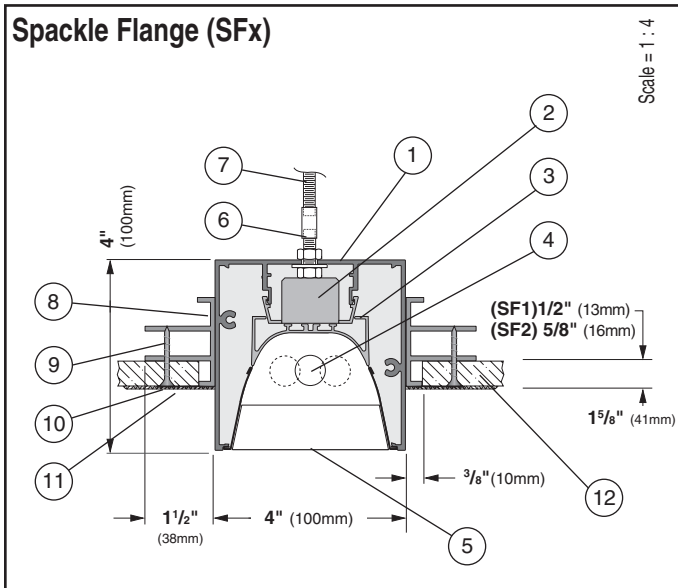
Fixture Series	Lamp Type	Shielding	Mounting	Nominal Length	Finish	Voltage	Options
M1S0 M100 Semi-recessed Multi-Mount Form	1T5 F28T5	SA Specular Parabolic	SF1 Spackle Flange (1/2" dry wall)	004 4 foot	WH White	120	(qty.) EM Stand-by Battery Pack ¹ (prefix quantity, i.e. - 5EM)
	2T5 (2x)F28/T5	MA Matte Parabolic		008 8 foot	BK Black	277	FS Single Fusing
	1T5HO F54T5HO	MP Silky Specular Parabolic	SF2 Spackle Flange (5/8" dry wall)	012 12 foot	SV Silver	347	DM Dimming ¹ (specify system)
	1T8 F032/T8	PL Matte Perforated Parabolic		For actual lengths see following page. For other lengths, configura- tions indicate nominal length rounded to the next highest foot. Factory will supply layout draw- ings. Individual fixtures cannot be field joined.	SP Specify RAL#		DMA Digital Addressable Dimming ¹
		SD Satine Lens					SI Satine Acrylic Inlay ³
		OD Extra Diffuse Lens					FW Flex Whip (standard)
		X None					FW1 Flex Whip (dimming)
							Track Eutrac Standard ²
							DL Suitable for Damp Locations
							CCEA Chicago Plenum
							Downlights (See MR16 spec sheets, pp.98-99)

¹Must be low profile ballasts (1 1/2" W x 1 1/8" H); consult factory for details.

²Consult factory for details.

³SA, MA, MP & PL shieldings only.

Spackle Flange (SFx)



Scale = 1 : 4

- Housing** - Continuous, 6063-T5 extruded aluminum profile up to 16 feet long. Joined with Connector Plus Joining System for ease of installation and to assure a uniform appearance.
- Ballast** - Electronic, high power factor, class "P", type "A" sound rating. Specify 120v, 277v, or 347v. Ballast is factory pre-wired with leads to one end of fixture. Consult factory for ballast options.
- Gear Tray** - Extruded aluminum, with white painted finish. Gear tray installed as a complete electrical unit and is held in place with knurled dress nuts. It is fully accessible from below ceiling.
- Lamps** - As noted (by others). Other lamp lengths or wattages available, consult factory.
- Shielding** - Louvers offer excellent glare control in longitudinal, lateral, and all diagonal planes. High quality aluminum louvers and acrylic shielding allow true freedom of layout for today's modern spaces.
- Pre-installed 1" 1/4-20 Stud** - Attached to fixture every nominal 4 feet.
- Coupling and Threaded Rod to Structure** - Supplied and installed by others.
- Spackle Flange** - For 1/2" (SF1) or 5/8" (SF2) thick sheet rock, installed at factory.
- Dry Wall Screw** - Supplied and installed by others.
- Fiberglass Sheetrock Tape** - Supplied and installed by others.
- Plaster Skimcoat 1/16"** - Supplied and installed by others.
- Plaster board** - Supplied and installed by others. For 1/4" thick specify SF1; for 5/8" thick specify SF2.

Interior Luminaire Finish - Standard interior colors are White (WH), Black (BK) and Silver (SV). RAL Classic colors (SP) are available, please specify RAL#..

SELUX Corp. © 2006
TEL: (845) 691-7723
FAX: (845) 691-6749
www.selux.com/USA
M1S0_SG-01 (v5.0)



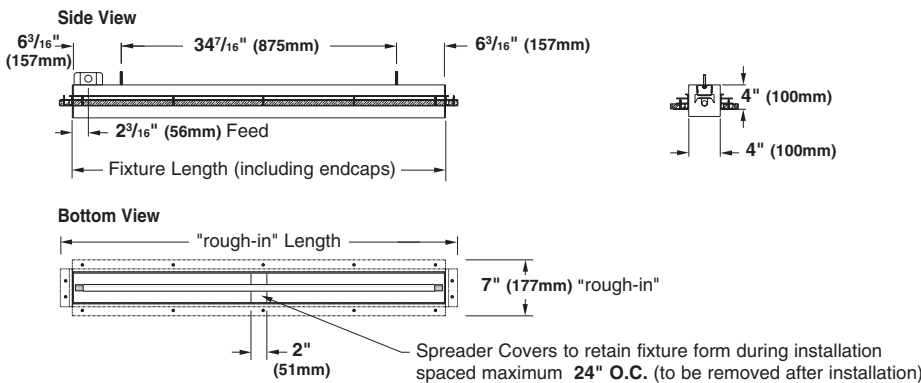
Union Made Affiliated
with IBEW Local 363

In a continuing effort to offer the best product possible, we reserve the right to change, without notice, specifications or materials that in our opinion will not alter the function of the product. Specification sheets found at www.selux.com/usa are the most recent versions and supercede all other printed or electronic versions.

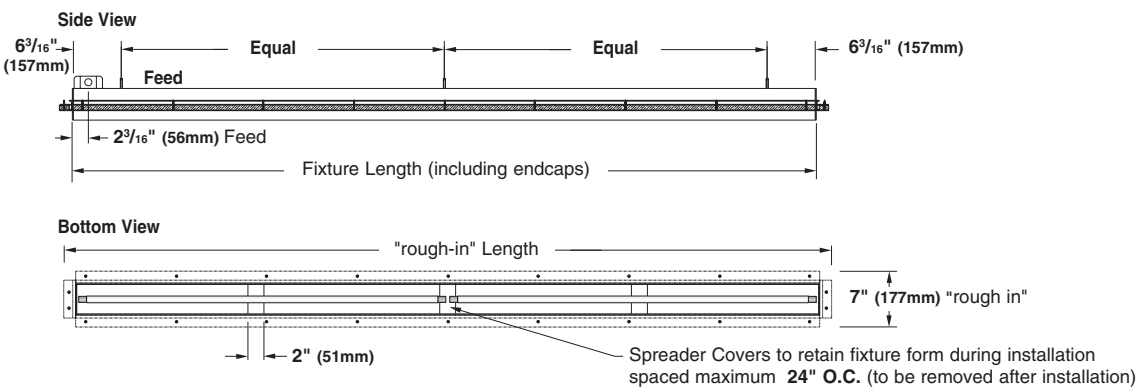
M1S0 Spackle Flange Layout Dimensions

Nominal 4 foot Individual

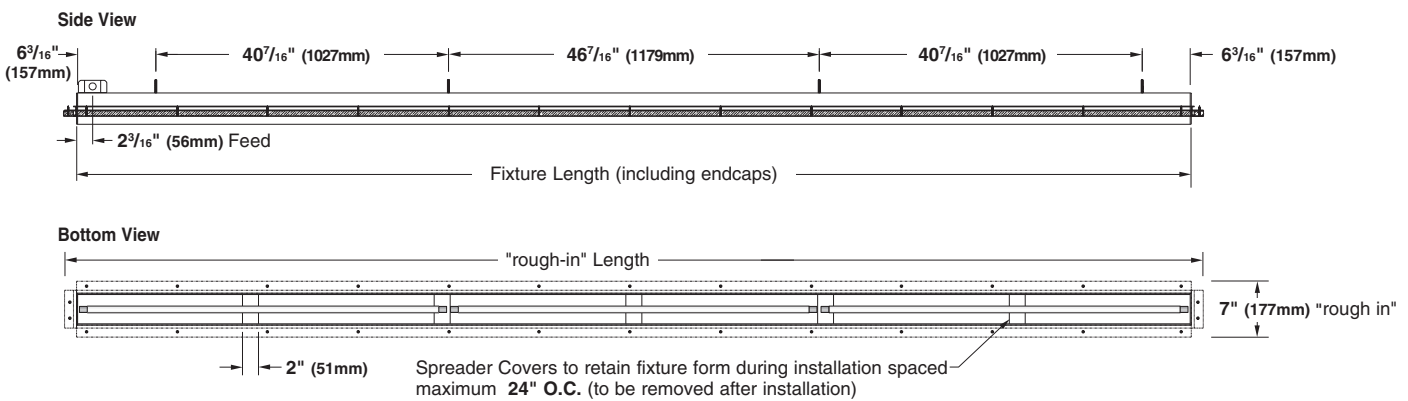
Typical End View (all lengths)



Nominal 8 foot Individual



Nominal 12 foot Individual



Fixture supplied with 7/8 knockout located 2 3/16" from end in top of fixture.

	T5 (1 or 2 lamp)		T8 (1 lamp)	
	M1S0-xT5-xx-SFx		M1S0-1T8-xx-SFx	
	Fixture Length	"Rough-in" Length	Fixture Housing	"Rough-in" Length
4 foot individual	46.81" (1189mm)	49.81" (1265mm)	48.37" (1229mm)	51.37" (1305mm)
8 foot individual	93.21" (2368mm)	96.21" (2444mm)	96.41" (2449mm)	99.41" (2525mm)
12 foot individual	139.65" (3547mm)	142.65" (3623mm)	144.45" (3669mm)	147.45" (3745mm)

For other lengths, lamping, continuous runs or configurations please specify overall length (in feet), accessories desired and sketch/drawing of configuration. SELUX will detail project drawings upon order and supply submittal drawings for approval. Individual fixtures cannot be field joined. If you have any questions, contact SELUX customer service or applications engineering for assistance (1-800-SELUX-CS).

M100 Semi-recessed Linear Fluorescent Spackle Flange - STAGGERED LAMPS



Project: _____ **Type:** _____ **Qty:** _____

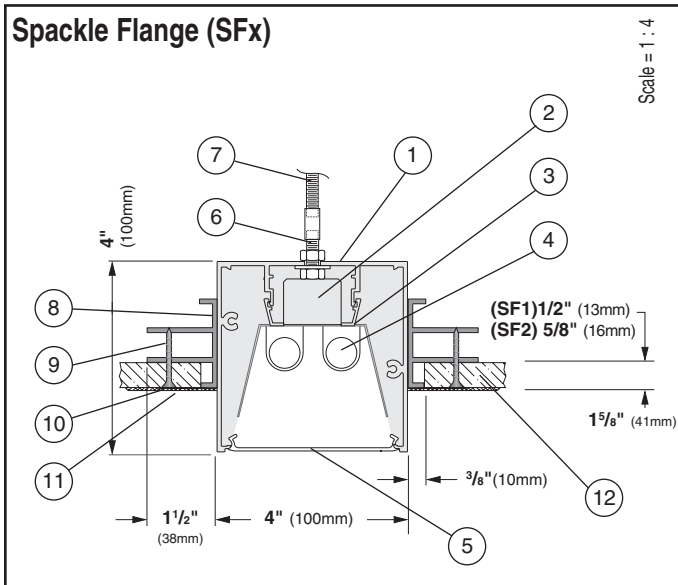
M1S0S - - - - -

Fixture Series	Lamp Type	Shielding	Mounting	Nominal Length	Finish	Voltage
-	-	-	-	-	-	-

Options (refer to separate data sheets for ordering codes and details)

Fixture Series	Lamp Type	Shielding	Mounting	Nominal Length	Finish	Voltage	Options
M1S0S M100 Semi-Recessed Multi-Mount Form Staggered Lamps	1T5 F28T5	OD Extra Diffuse Lens	SF1 Spackle Flange (1/2" dry wall)	008 8 foot	WH White	120	(qty.) EM Stand-by Battery Pack ¹ (prefix quantity, i.e. - 5EM)
	1T5HO F54T5HO	SD Satine Lens					
	2T5 (2x)F28/T5		SV Silver	347			
					SF2 Spackle Flange (5/8" dry wall)	For actual lengths see following page. For other lengths, configurations indicate nominal length rounded to the next highest foot. Factory will supply layout drawings. Individual fixtures cannot be field joined.	SP Specify RAL#
							DM Dimming ¹ (specify system)
							DMA Digital Addressable Dimming ¹
							FW Flex Whip (standard)
							FW1 Flex Whip (dimming)
							Track Eutrac Standard ²
							DL Suitable for Damp Locations
							CCEA Chicago Plenum
							Downlights (See MR16 spec sheets, pp.98-99)

¹Must be low profile ballasts (1 1/2" W x 1 3/16" H); consult factory for details. ²Consult factory for details.



- Housing** - Continuous, 6063-T5 extruded aluminum profile up to 16 feet long. Joined with Connector Plus Joining System for ease of installation and to assure a uniform appearance.
 - Ballast** - Electronic, high power factor, class "P", type "A" sound rating. Specify 120v, 277v, or 347v. Ballast is factory pre-wired with leads to one end of fixture. Consult factory for ballast options.
 - Gear Tray** - Die formed gear tray with integral factory preset sliding covers to fill extrusion with light, with a matt white finish for even illumination. Geartray installs as complete electrical unit and is held in place with knurled dress nuts. It is fully accessible from below ceiling.
 - Lamps** - As noted (by others). Other lamp lengths or wattages available, consult factory.
 - Shielding** - Choose between **OD** Extra Diffuse Lens and **SD** Satine Lens. See page 8 for more details.
 - Pre-installed 1" 1/4-20 Stud** - Attached to fixture every nominal 4 feet.
 - Coupling and Threaded Rod to Structure** - Supplied and installed by others.
 - Spackle Flange** - For 1/2" (SF1) or 5/8" (SF2) thick sheet rock, installed at factory.
 - Dry Wall Screw** - Supplied and installed by others.
 - Fiberglass Sheetrock Tape** - Supplied and installed by others.
 - Plaster Skimcoat 1/16"** - Supplied and installed by others.
 - Plaster board** - Supplied and installed by others. For 1/4" thick specify SF1; for 5/8" thick specify SF2.
- Interior Luminaire Finish** - Standard interior colors are White (WH), Black (BK) and Silver (SV). RAL Classic colors (SP) are available, please specify RAL#.

SELUX Corp. © 2006
 TEL: (845) 691-7723
 FAX: (845) 691-6749
 www.selux.com/USA
 M1S0S_SF-01 (v5.0)



Union Made Affiliated
 with IBEW 1363

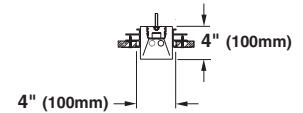
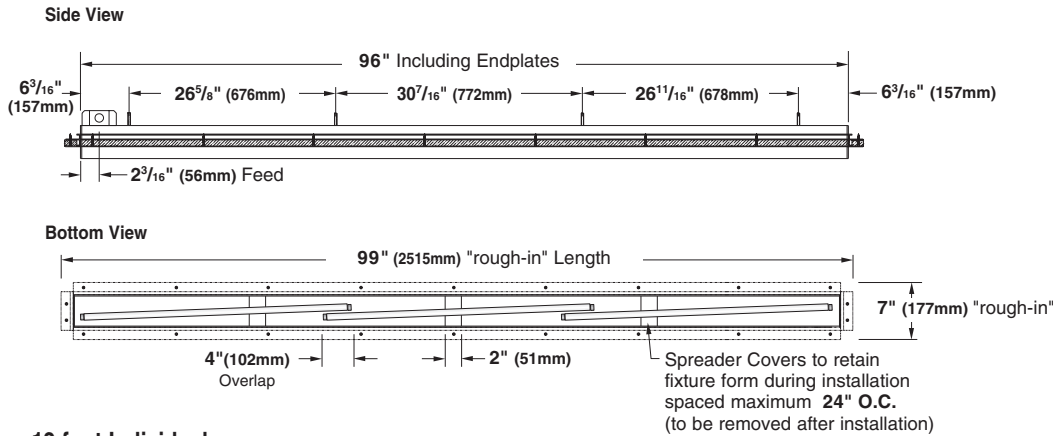
In a continuing effort to offer the best product possible, we reserve the right to change, without notice, specifications or materials that in our opinion will not alter the function of the product. Specification sheets found at www.selux.com/usa are the most recent versions and supercede all other printed or electronic versions.

M1S0S Spackle Flange Layout Dimensions

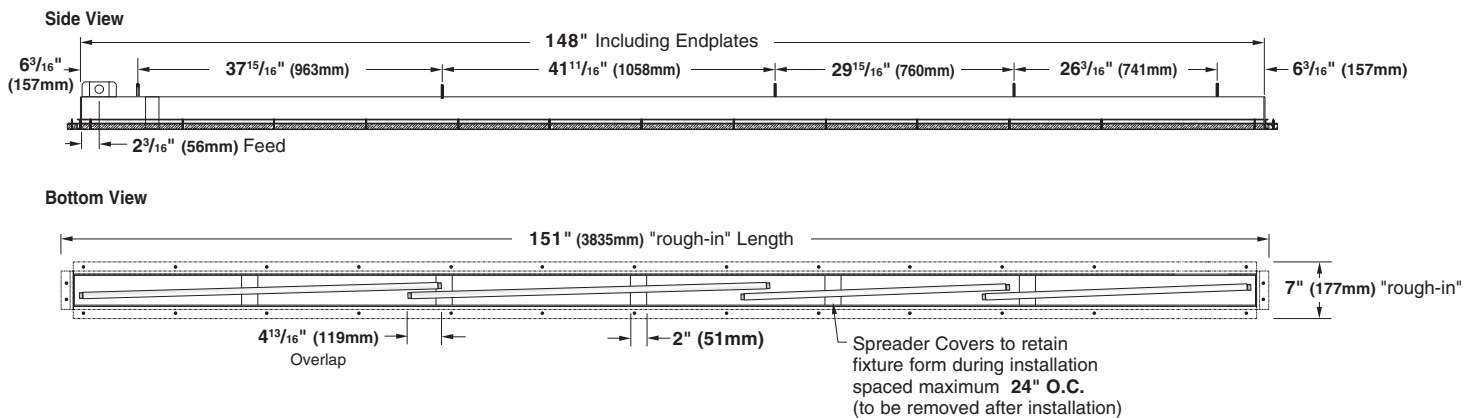
For T5 lamps only, for other lamping consult factory.

8 foot Individual

Typical End View (all lengths)



12 foot Individual



Fixture supplied with 7/8 knockout located 2³/₁₆" from end in top of fixture.

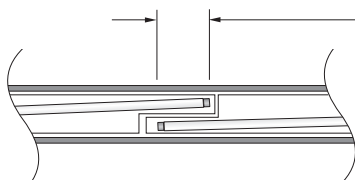
See chart on page 6 for optimal custom lengths under 18 ft. Any length over 18 ft. possible, see below.

For other lengths, lamping, continuous runs or configurations please specify overall length (in feet), accessories desired and sketch/drawing of configuration. SELUX will detail project drawings upon order and supply submittal drawings for approval. Individual fixtures cannot be field joined. If you have any questions please contact SELUX customer service or applications engineering for assistance (1-800-SELUX-CS).

M1S0S Spackle Flange (Double Staggered Lamps) Layout Dimensions -

Factory will provide submittal drawings. See chart on page 7 for lengths under 22 ft.

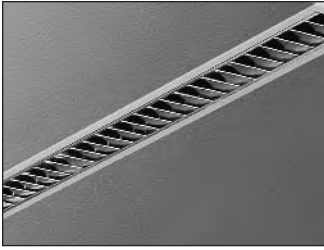
Staggered Lamps Principle



Lamps are spaced with 4" to 6" overlap to completely illuminate luminaire and eliminate socket shadows. Factory will supply approval drawings for other lengths using combinations of 21W & 28W T5 lamps or 39W & 54W T5HO lamps.

Minimal socket shadows may be visible at certain angles. Refer to page 8 for more information.

M60 Linear Fluorescent Recessed



Project: _____ **Type:** _____ **Qty:** _____

Fixture Series **Lamp Type** **Shielding** **Mounting** **Linear Footage** **Finish** **Voltage**

Options (refer to separate data sheets for ordering codes and details)

Fixture Series	Lamp Type	Shielding	Mounting	Linear Footage	Finish	Voltage	Options
M6R1 M60 Recessed Continuous Flange (Flanged Extrusion/Flanged Endcaps)	1T5 F28T5	MA Matte Parabolic	SH Suspension Clips	004 4 foot	WH White	120	TB Lengths to Fit 2' Grid T-Bar Ceiling System (M6R1 only) (qty.)EM Stand-by Battery Pack ¹ (prefix quantity, i.e. - 5EM) FS Single Fusing DM Dimming ¹ (specify system) DMA Digital Addressable Dimming ¹ SI Satine Acrylic Inlay ² FW Flex Whip (standard) FW1 Flex Whip (dimming) Track Eutrac Standard ³ DL Suitable for Damp Locations CCEA Chicago Plenum Downlights (See MR11 spec sheet, pp.98)
	1T5HO F54T5HO	MP Silky Specular Parabolic Louver	RC Rotating Crossbars PM Perimeter Mount	008 8 foot 012 12 foot	BK Black SV Silver	277 347	
M6R2 M60 Recessed Flush End (Flanged Extrusion/Flangeless Endcaps)		SD Satine Lens OD Extra Diffuse Lens	TS 1" Studs (factory installed)	For actual lengths see layout dimensions. For other lengths, configurations indicate nominal length rounded to the next highest foot. Factory will supply layout drawings. Individual fixtures cannot be field joined.	SP Specify RAL#		

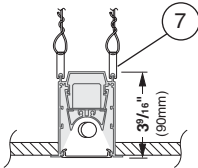
¹Must be low profile ballasts (1 3/8" wide x 1 3/8" high); consult factory for details.

²Available for MP Louver only.

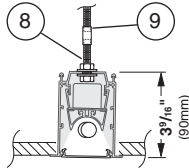
³Consult factory for details.

Mounting Diagrams

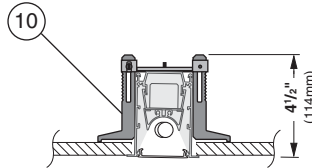
Suspension Clips (SH)



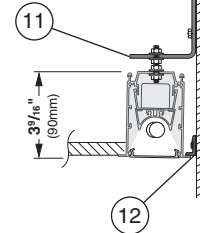
Pre-installed Rod (TS)



Rotating Crossbars (RC)



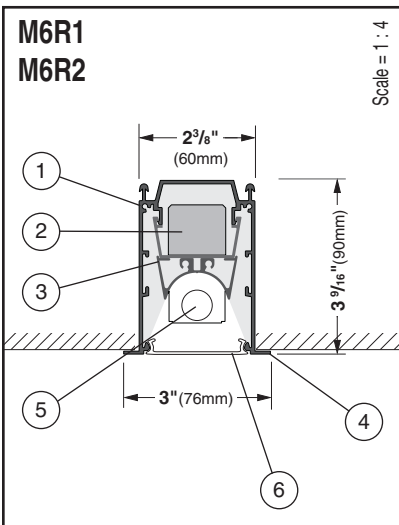
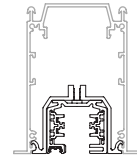
Perimeter Mount (PM)



Scale = 1 : 8

Track

Track insert including track available for all configurations, consult factory for details.



Scale = 1 : 4

1. Housing - Continuous, 6063-T5 extruded aluminum profile up to 16 feet long.

2. Ballast - Electronic, high power factor, class "P", type "A" sound rating. Specify 120v, 277v, or 347v. Ballast is factory pre-wired with leads to one end of fixture. Consult factory for ballast options.

3. Gear Tray - Die formed tray with specular aluminum reflector. Gear tray installs as complete electrical unit and is held in place with 1/4 turn latches. It is fully accessible from below ceiling.

4. Flange - 5/16" (8mm) wide flange is part of the main extruded body. Specify continuous flange (M6R1) or flush end (M6R2).

5. Lamps - As noted (by others). Other lamp lengths or wattages available, consult factory.

6. Shielding - Louvers offer excellent glare control in longitudinal, lateral, and all diagonal planes. High quality aluminum louvers and acrylic shielding allow true freedom of layout for today's modern spaces.

7. Spring steel suspension clips - Supplied two places, located nominally every 4 ft. Support wires Supplied and installed by others.

8. Pre-installed 1" 1/4-20 Stud - Attached to fixture every nominal 4 feet.

9. Coupling and Threaded Rod to Structure - Supplied and installed by others.

10 Rotating Crossbar - For inaccessible ceilings, adjustable for ceiling thicknesses from 1/4" to 2". Support required nominally every 4.

11. Steel Wall Bracket and 1/4-20 Rod - Supplied nominally every 4 ft. (Fasteners to wall and wall anchors by others.)

12. Aluminum Wall Bracket - Secured to wall (fasteners and wall anchors by others) and runs entire length of fixture. Also supplied for width of M6R1 continuous flange fixtures. Allows for 1/8" gap between flange and wall to create shadow line.

Interior Luminaire Finish - Standard interior colors are White (WH), Black (BK) and Silver (SV). RAL Classic colors (SP) are available, please specify RAL#.

SELUX Corp. © 2006
 TEL: (845) 691-7723
 FAX: (845) 691-6749
 www.selux.com/usa
 M6R-01 (v5.0)



Union Made Affiliated
 with IBEW Local 363

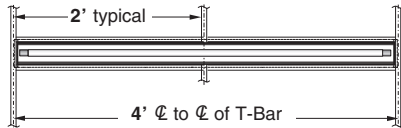
In a continuing effort to offer the best product possible, we reserve the right to change, without notice, specifications or materials that in our opinion will not alter the function of the product. Specification sheets found at www.selux.com/usa are the most recent versions and supercede all other printed or electronic versions.

M6R1 and M6R2 Standard Layout Dimensions

M6R1 Recessed - nominal 4 foot individual



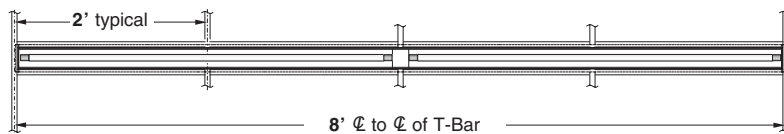
M6R1 Recessed - T-Bar Length - nominal 4 foot individual



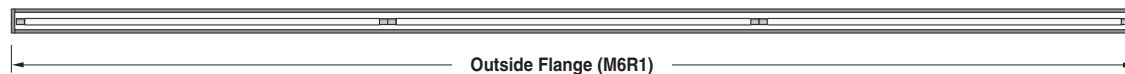
M6R1 Recessed - nominal 8 foot individual



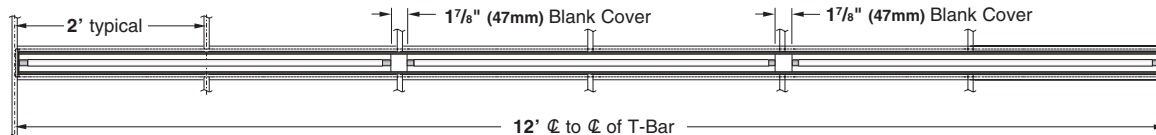
M6R1 Recessed - T-Bar Length - nominal 8 foot individual



M6R1 Recessed - nominal 12 foot individual



M6R1 Recessed - T-Bar Length - nominal 12 foot individual



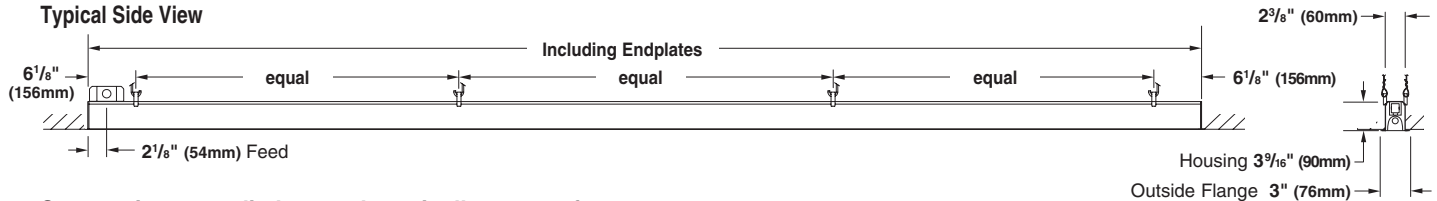
Continuous Flange (M6R1)



Flush End (M6R2)



Typical Side View



Suspensions supplied spaced nominally every 4 feet.

Fixture supplied with 7/8 knockout located 2 1/8" from end in top of fixture.

	T5 (1 or 2 lamp)			
	M6R1/M6R2 Including Endplates	M6R1 Outside Flange	M6R1/M6R2 - TB Including Endplates	M6R1 - TB Outside Flange
4 foot individual	47.28" (1201mm)	46.63" (1184mm)	47.03" (1195mm)	47.91" (1216mm)
8 foot individual	93.72" (2380mm)	93.03" (2362mm)	95.21" (2418mm)	95.88" (2435mm)
12 foot individual	140.13" (3559mm)	139.43" (3541mm)	143.25" (3638mm)	143.22" (3638mm)

For other lengths, lampping, continuous runs or configurations please specify overall length (in feet), accessories desired and sketch/drawing of configuration. SELUX will detail project drawings upon order and supply submittal drawings for approval. Individual fixtures cannot be field joined. If you have any questions please contact SELUX customer service or applications engineering for assistance (1-800-SELUX-CS).


M60 Recessed Linear Fluorescent Flanged Extrusion - STAGGERED LAMPS



Project: _____ Type: _____ Qty: _____

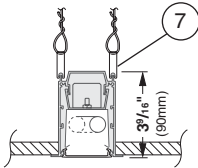
Fixture Series	Lamp Type	Shielding	Mounting	Mounting Option	Nominal Length	Finish	Voltage

Options (refer to separate data sheets for ordering codes and details)

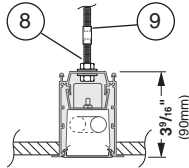
Fixture Series	Lamp Type	Shielding	Mounting	Nominal Length	Finish	Voltage	Options
M6R1S M60 Recessed Continuous Flange (Flanged Extrusion/Flanged Endcaps) Staggered Lamps M6R2S M60 Recessed Flush End (Flanged Extrusion/Flangeless Endcaps) Staggered Lamps	1T5 F28T5 1T5HO F54T5HO 	OD Extra Diffuse Lens SD Satine Lens	SH Suspension Clips TS 1" Studs (factory installed) RC Rotating Crossbars PM Perimeter Mount	008 8 foot 012 12 foot For actual lengths see following page. For other lengths, configurations indicate nominal length rounded to the next highest foot. Factory will supply layout drawings. Individual fixtures cannot be field joined.	WH White BK Black SV Silver SP Specify RAL#	120 277 347	TB Lengths to Fit 2' Grid T-Bar Ceiling System (M6R1S only) (qty)EM Stand-by Battery Pack ¹ (prefix quantity, i.e. - 5EM) FS Single Fusing DM Dimming ¹ (specify system) DMA Digital Addressable Dimming ¹ FW Flex Whip (standard) FW1 Flex Whip (dimming) Track Eutrac Standard ² DL Suitable for Damp Locations Downlights (See MR11 spec sheet, pp.98)
	¹ Must be low profile ballasts (1 ³ / ₈ " W x 1 ³ / ₁₆ " H); consult factory for details. ² Consult factory for details.						

Mounting Diagrams

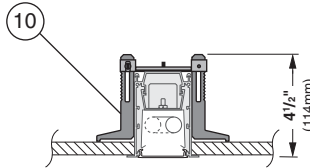
Suspension Clips (SH)



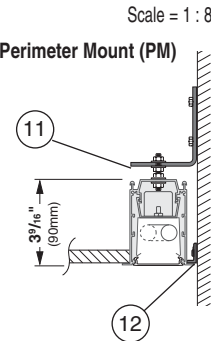
Pre-installed Rod (TS)



Rotating Crossbars (RC)

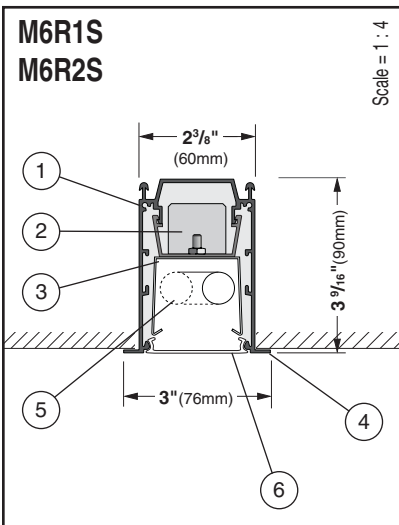
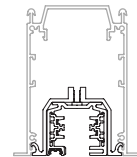


Perimeter Mount (PM)



Track

Track insert including track available for all configurations, consult factory for details.



1. Housing - Continuous, 6063-T5 extruded aluminum profile up to 16 feet long.

2. Ballast - Electronic, high power factor, class "P", type "A" sound rating. Specify 120v, 277v, or 347v. Ballast is factory pre-wired with leads to one end of fixture. Consult factory for ballast options.

3. Gear Tray - Die formed gear tray with integral factory preset sliding covers to fill extrusion with light, with a matt white finish for even illumination. Geartray installs as complete electrical unit and is held in place with knurled dress nuts. It is fully accessible from below ceiling.

4. Flange - 5/16" (8mm) wide flange is part of the main extruded body. Specify flush (M6R2) or flanged end plates (M6R1).

5. Lamps - As noted (by others). Other lamp lengths or wattages available, consult factory.

6. Shielding - Choose between Extra Diffuse Lens and Satine Lens. See page 8 for more details.

7. Spring steel suspension clips - Supplied two places, located nominally every 4 feet. Support wires supplied and installed by others.

8. Pre-installed 1" 1/4-20 Stud - Attached to fixture every nominal 4 feet.

9. Coupling and Threaded Rod to Structure - Supplied and installed by others.

10 Rotating Crossbar - For inaccessible ceilings, adjustable for ceiling thicknesses from 1/4" to 2". Support required nominally every 4'.

11. Steel Wall Bracket and 1/4-20 Rod - Supplied nominally every 4 ft. (Fasteners to wall and wall anchors by others.)

12. Aluminum Wall Bracket - Secured to wall (fasteners and wall anchors by others) and runs entire length of fixture. Also supplied for width of M6R1 continuous flange fixtures. Allows for 1/8" gap between flange and wall to create shadow line.

Interior Luminaire Finish - Standard interior colors are White (WH), Black (BK) and Silver (SV). RAL Classic colors (SP) are available, please specify RAL#.

SELUX Corp. © 2006
 TEL: (845) 691-7723
 FAX: (845) 691-6749
 www.selux.com/usa
 M6R1S-01 (v5.0)

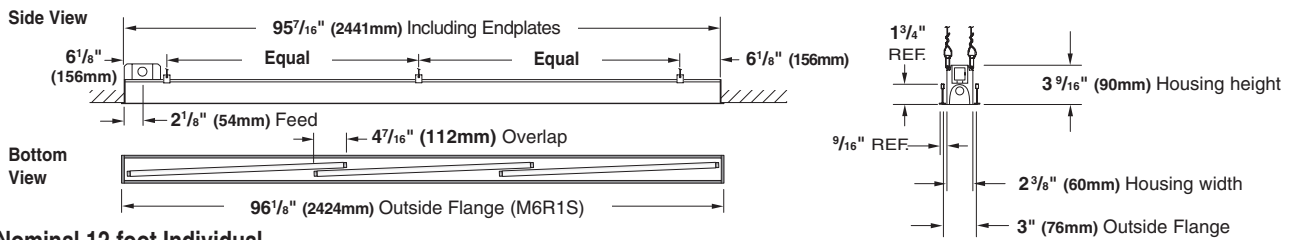


Union Made Affiliated
 with IBEW Local 363

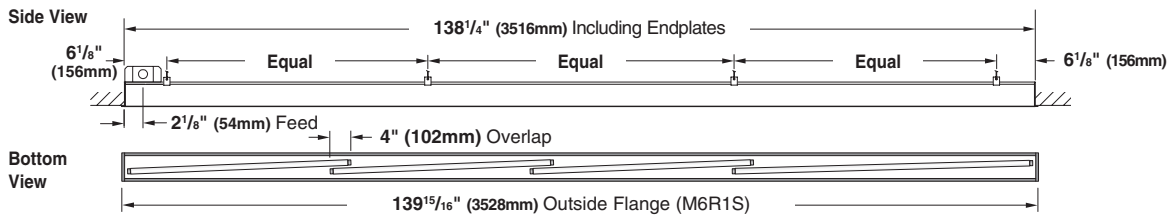
In a continuing effort to offer the best product possible, we reserve the right to change, without notice, specifications or materials that in our opinion will not alter the function of the product. Specification sheets found at www.selux.com/usa are the most recent versions and supercede all other printed or electronic versions.

M6R1S/M6R2S (Single Staggered Lamps) Standard Layout Dimensions

Nominal 8 foot Individual

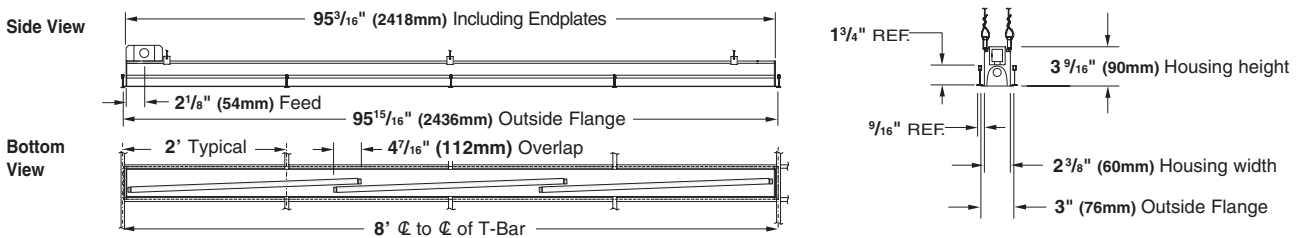


Nominal 12 foot Individual

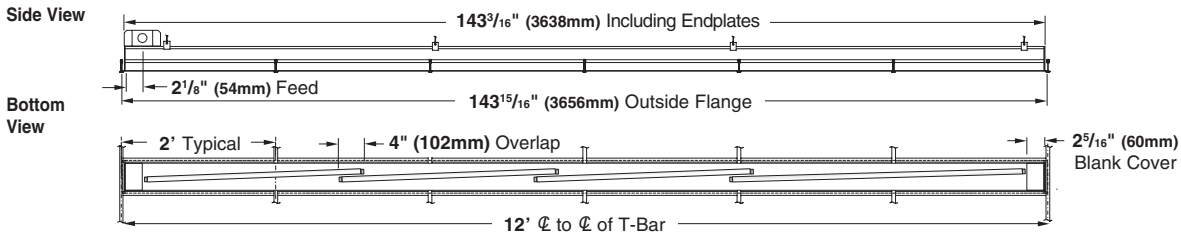


M6R1S (Single Staggered Lamps) T-Bar Layout Dimensions (option - TB)

Nominal 8 foot Individual



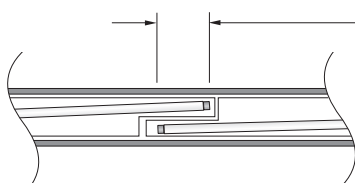
Nominal 12 foot Individual



Fixture supplied with 7/8 knockout located 2 1/8" from end in top of fixture.

For other lengths, lamping, continuous runs or configurations please specify overall length (in feet), accessories desired and sketch/drawing of configuration. SELUX will detail project drawings upon order and supply submittal drawings for approval. Individual fixtures cannot be field joined. If you have any questions please contact SELUX customer service or applications engineering for assistance (1-800-SELUX-CS).

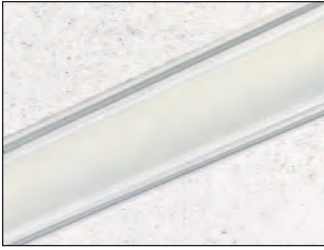
Staggered Lamps Principle



Lamps are spaced with 4" to 6" overlap to completely illuminate luminaire and eliminate socket shadows. Factory will supply approval drawings for other lengths using combinations of 21W & 28W T5 lamps or 39W & 54W T5HO lamps.

Minimal socket shadows may be visible at certain angles. Refer to pages 6 and 8 for more information.

M60 Recessed Linear Fluorescent Slot Grid / Thick Ceiling Panel



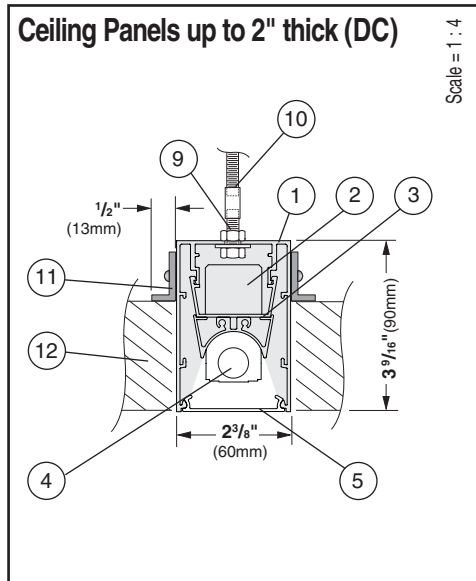
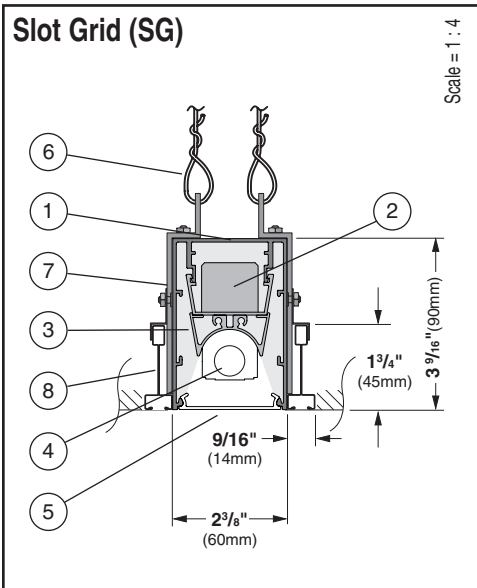
Project: _____ **Type:** _____ **Qty:** _____

M60	---	---	---	---	---	---
Fixture Series	Lamp Type	Shielding	Mounting	Nominal Length	Finish	Voltage
---	---	---	---	---	---	---

Options (refer to separate data sheets for ordering codes and details)

Fixture Series	Lamp Type	Shielding	Mounting	Nominal Length	Finish	Voltage	Options
M60 M60 Recessed Multi-Mount Form	1T5 F28T5	MA Matte Parabolic	SG Slot Grid	004 4 foot	WH White	120	TB Lengths to Fit 2' Grid T-Bar Ceiling System (qty.)EM Stand-by Battery Pack ¹ (prefix quantity, i.e. - 5EM) FS Single Fusing DM Dimming ¹ (specify system) DMA Digital Addressable Dimming ¹ SI Satine Acrylic Inlay ² FW Flex Whip (standard) FW1 Flex Whip (dimming) Track Eutrac Standard ³ DL Suitable for Damp Locations CCEA Chicago Plenum Downlights (See MR11 spec sheet, pp.98)
	1T5HO F54T5HO	MP Silky Specular Parabolic Louver	DC Ceiling Panels up to 2" thick (lengths per submittal drawings)	008 8 foot	BK Black	277	
		SD Satine Lens		012 12 foot	SV Silver	347	
		OD Extra Diffuse Lens			SP Specify RAL#		
				For actual lengths see following page. For other lengths, configurations indicate nominal length rounded to the next highest foot. Factory will supply layout drawings. Individual fixtures cannot be field joined.			

¹Must be low profile ballasts (1 3/8" W x 1 3/16" H); consult factory for details. ²Available for MP Louver only. ³Consult factory for details.



1. Housing - Continuous, 6063-T5 extruded aluminum profile up to 16 feet long.

2. Ballast - Electronic, high power factor, class "P", type "A" sound rating. Specify 120v, 277v, or 347v. Ballast is factory pre-wired with leads to one end of fixture. Consult factory for ballast options.

3. Gear Tray - Extruded aluminum, with white painted finish. Gear tray installed as a complete electrical unit and is held in place with knurled dress nuts. It is fully accessible from below ceiling.

4. Lamps - As noted (by others). Other lamp lengths or wattages available, consult factory.

5. Shielding - Louvers offer excellent glare control in longitudinal, lateral, and all diagonal planes. High quality aluminum louvers and acrylic shielding allow true freedom of layout for today's modern spaces.

6. Support Wire to Structure - Supplied and installed by others.

7. Support Bracket - Supplied nominally every four feet.

8. Slot Grid Beam and Cross Tees - Supplied and installed by others.

9. Pre-installed 1" 1/4-20 Stud - Attached to fixture every nominal 4 feet.

10. Coupling and Threaded Rod to Structure - Supplied and installed by others.

11. Aluminum Angle Brackets - Run entire length of fixture to block view into plenum area from below fixture.

12. Ceiling Panels up to 2" Thick - Supplied and installed by others. Suitable for Decoustic[®] ceiling panel installations. Other ceiling systems possible, please consult factory. Decoustic[®] is a registered trademark of Decoustics Ltd. Corporation.

Interior Luminaire Finish - Standard interior colors are White (WH), Black (BK) and Silver (SV). RAL Classic colors (SP) are available, please specify RAL#.

SELUX Corp. © 2006
TEL: (845) 691-7723
FAX: (845) 691-6749
www.selux.com/USA
M60_SG-01 (v5.0)



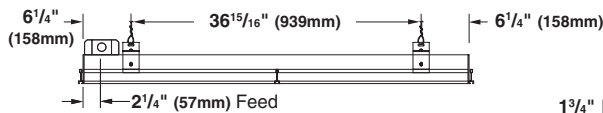
Union Made Affiliated
with IBEW Local 363

In a continuing effort to offer the best product possible, we reserve the right to change, without notice, specifications or materials that in our opinion will not alter the function of the product. Specification sheets found at www.selux.com/usa are the most recent versions and supercede all other printed or electronic versions.

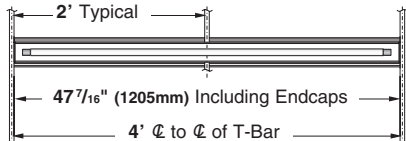
M60 Slot Grid Layout Dimensions

Nominal 4 foot Individual

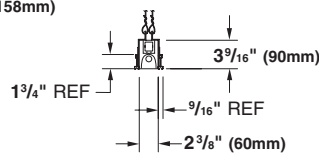
Side View



Bottom View

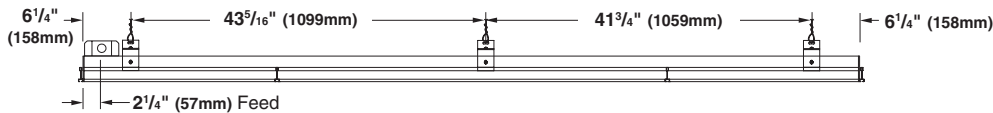


Typical End View (all lengths)



Nominal 8 foot Individual

Side View

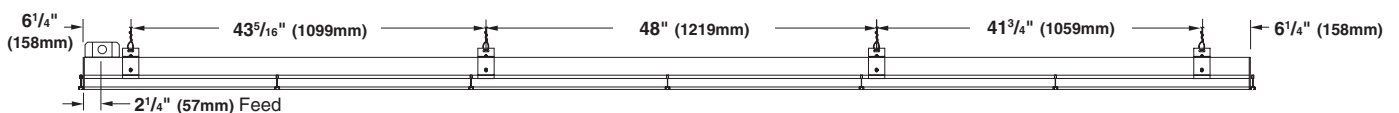


Bottom View

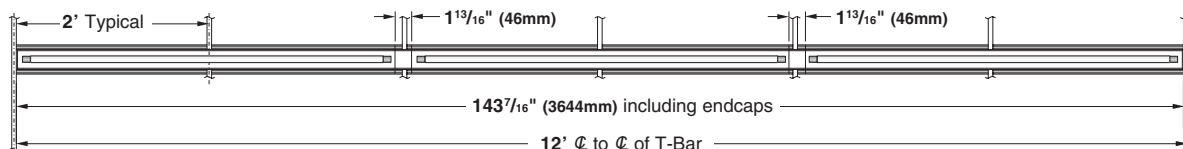


Nominal 12 foot Individual

Side View



Bottom View

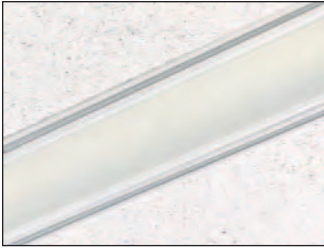


Fixture supplied with 7/8 knockout located 2 1/4" from end in top of fixture.

For other lengths, lampping, continuous runs or configurations please specify overall length (in feet), accessories desired and sketch/drawing of configuration. SELUX will detail project drawings upon order and supply submittal drawings for approval. Individual fixtures cannot be field joined. If you have any questions please contact SELUX customer service or applications engineering for assistance (1-800-SELUX-CS).

M60

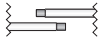
Recessed Linear Fluorescent
Slot Grid / Thick Ceiling Panel - STAGGERED LAMPS



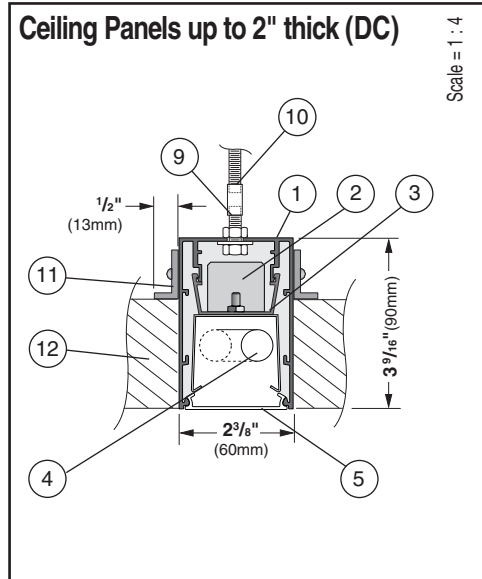
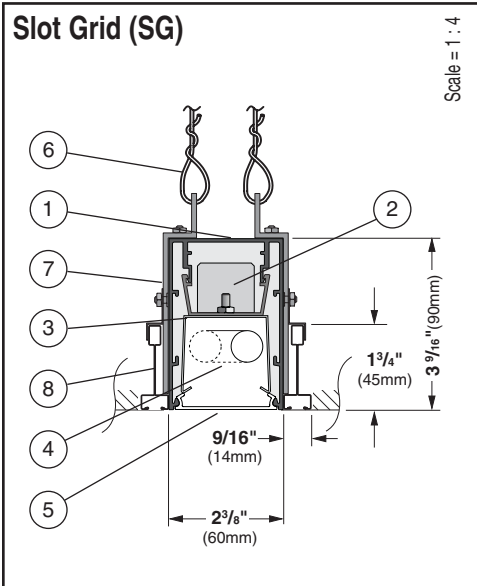
Project: _____ **Type:** _____ **Qty:** _____

M60S	---	---	---	---	---	---
Fixture Series	Lamp Type	Shielding	Mounting	Nominal Length	Finish	Voltage
---	---	---	---	---	---	---

Options (refer to separate data sheets for ordering codes and details)

Fixture Series	Lamp Type	Shielding	Mounting	Nominal Length	Finish	Voltage	Options
M60S M60 Recessed Multi-Mount Form Staggered Lamps	1T5 F28T5	OD Extra Diffuse Lens	SG Slot Grid	008 8 foot	WH White	120	(qty.) EM Stand-by Battery Pack ¹ (prefix quantity, i.e. - 5EM)
	1T5HO F54T5HO 	SD Satine Lens	DC Ceiling Panels up to 2" thick (lengths per submittal drawings)	012 12 foot <small>For actual lengths see following page. For other lengths, configurations indicate nominal length rounded to the next highest foot. Factory will supply layout drawings. Individual fixtures cannot be field joined.</small>	BK Black SV Silver SP Specify RAL#	277 347	FS Single Fusing DM Dimming ¹ (specify system) DMA Digital Addressable Dimming ¹ FW Flex Whip (standard) FW1 Flex Whip (dimming) Track Eutrac Standard ² DL Suitable for Damp Locations CCEA Chicago Plenum Downlights (See MR16 spec sheets, pp.98-99)

¹Must be low profile ballasts (1 3/8" W x 1 3/16" H); consult factory for details. ²Consult factory for details.



1. Housing - Continuous, 6063-T5 extruded aluminum profile up to 16 feet long. Joined with Connector Plus Joining System for ease of installation and to assure a uniform appearance.

2. Ballast - Electronic, high power factor, class "P", type "A" sound rating. Specify 120v, 277v, or 347v. Ballast is factory pre-wired with leads to one end of fixture. Consult factory for ballast options.

3. Gear Tray - Die formed gear tray with integral factory preset sliding covers to fill extrusion with light, with a matt white finish for even illumination. Geartray installs as complete electrical unit and is held in place with knurled dress nuts. It is fully accessible from below ceiling.

4. Lamps - As noted (by others). Other lamp lengths or wattages available, consult factory.

5. Shielding - Choose between **OD** Extra Diffuse Lens and **SD** Satine Lens. See page 8 for more details.

6. Support Wire to Structure - Supplied and installed by others.

7. Support Bracket - Supplied nominally every four feet.

8. Slot Grid Beam and Cross Tees - Supplied and installed by others.

9. Pre-installed 1" 1/4-20 Stud - Attached to fixture every nominal 4 feet.

10. Coupling and Threaded Rod to Structure - Supplied and installed by others.

11. Aluminum Angle Brackets - Run entire length of fixture to block view into plenum area from below fixture.

12. Ceiling Panels up to 2" Thick - Supplied and installed by others. Suitable for Decoustic[®] ceiling panel installations. Other ceiling systems possible, please consult factory. Decoustic[®] is a registered trademark of Decoustics Ltd. Corporation.

Interior Luminaire Finish - Standard interior colors are White (WH), Black (BK) and Silver (SV). RAL Classic colors (SP) are available, please specify RAL#.

SELUX Corp. © 2006
TEL: (845) 691-7723
FAX: (845) 691-6749
www.selux.com/USA
M60S_SG-01 (v5.0)

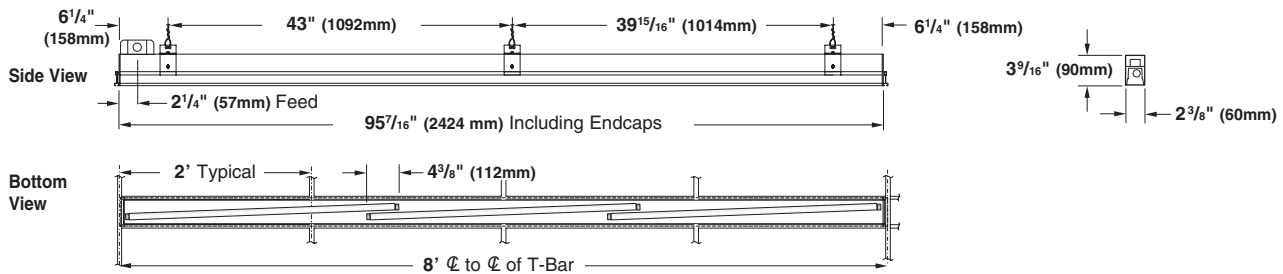


Union Made Affiliated
with IBEW Local 363

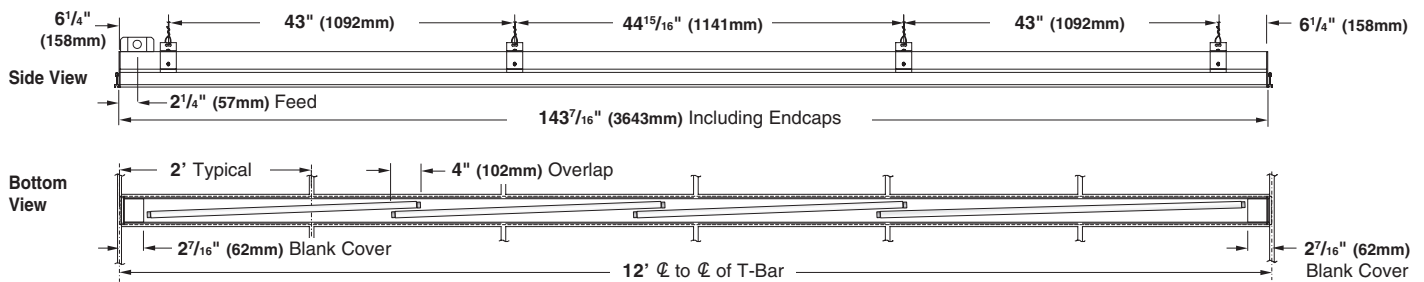
In a continuing effort to offer the best product possible, we reserve the right to change, without notice, specifications or materials that in our opinion will not alter the function of the product. Specification sheets found at www.selux.com/usa are the most recent versions and supercede all other printed or electronic versions.

M60S (Single Staggered Lamps) Slot Grid Layout Dimensions

Nominal 8 foot Individual



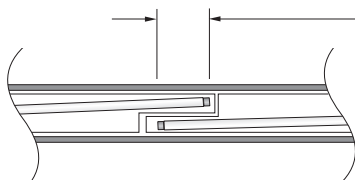
Nominal 12 foot Individual



Fixture supplied with 7/8 knockout located 2¹/₄" from end in top of fixture.

For other lengths, lamping, continuous runs or configurations please specify overall length (in feet), accessories desired and sketch/drawing of configuration. SELUX will detail project drawings upon order and supply submittal drawings for approval. Individual fixtures cannot be field joined. If you have any questions please contact SELUX customer service or applications engineering for assistance (1-800-SELUX-CS).

Staggered Lamps Principle



Lamps are spaced with 4" to 6" overlap to completely illuminate luminaire and eliminate socket shadows. Factory will supply approval drawings for other lengths using combinations of 21W & 28W T5 lamps or 39W & 54W T5HO lamps.

Minimal socket shadows may be visible at certain angles. Refer to page 8 for more information.

M60 Recessed Linear Fluorescent Spackle Flange



Project: _____ **Type:** _____ **Qty:** _____

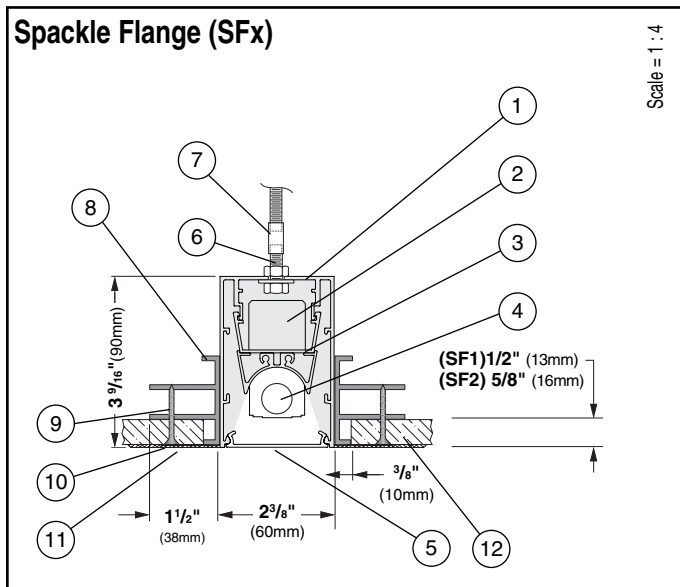
M60	-	-	-	-	-	-	-
Fixture Series	Lamp Type	Shielding	Mounting	Nominal Length	Finish	Voltage	
-	-	-	-	-	-	-	-

Options (refer to separate data sheets for ordering codes and details)

Fixture Series	Lamp Type	Shielding	Mounting	Nominal Length	Finish	Voltage	Options	
M60 M60 Recessed Multi-Mount Form	1T5 F28T5	MA Matte Parabolic	SF1 Spackle Flange (1/2" dry wall)	004 4 foot	WH White	120	(<i>qty.</i>) EM Stand-by Battery Pack ¹ (prefix quantity, i.e. - 5EM)	
	1T5HO F54T5HO	MP Silky Specular Parabolic Louver	SF2 Spackle Flange (5/8" dry wall)	008 8 foot	BK Black	277	FS Single Fusing	
		SD Satine Lens		012 12 foot	SV Silver	347	DM Dimming ¹ (specify system)	
	OD Extra Diffuse Lens				SP Specify RAL#		DMA Digital Addressable Dimming ¹	
				For actual lengths see following page. For other lengths, configurations indicate nominal length rounded to the next highest foot. Factory will supply layout drawings. Individual fixtures cannot be field joined.				SI Satine Acrylic Inlay ²
								FW Flex Whip (standard)
								FW1 Flex Whip (dimming)
								Track Eutrac Standard ³
								DL Suitable for Damp Locations
								CCEA Chicago Plenum
								Downlights (See MR11 spec sheet, pp.98)

¹Must be low profile ballasts (1 7/8" W x 1 1/16" H); consult factory for details. ²Available for MP Louver only. ³Consult factory for details.

Spackle Flange (SFx)



1. Housing - Continuous, 6063-T5 extruded aluminum profile up to 16 feet long. Joined with Connector Plus Joining System for ease of installation and to assure a uniform appearance.

2. Ballast - Electronic, high power factor, class "P", type "A" sound rating. Specify 120v, 277v, or 347v. Ballast is factory pre-wired with leads to one end of fixture. Consult factory for ballast options.

3. Gear Tray - Die formed gear tray with integral factory preset sliding covers to fill extrusion with light, with a matt white finish for even illumination. Geartray installs as complete electrical unit and is held in place with knurled dress nuts. It is fully accessible from below ceiling.

4. Lamps - As noted (by others). Other lamp lengths or wattages available, consult factory.

5. Shielding - Louvers offer excellent glare control in longitudinal, lateral, and all diagonal planes. High quality aluminum louvers and acrylic shielding allow true freedom of layout for today's modern spaces.

6. Pre-installed 1" 1/4-20 Stud - Attached to fixture every nominal 4 feet.

7. Coupling and Threaded Rod to Structure - Supplied and installed by others.

8. Spackle Flange - For 1/2" (SF1) or 5/8" (SF2) thick sheet rock, installed at factory.

9. Dry Wall Screw - Supplied and installed by others.

10. Fiberglass Sheetrock Tape - Supplied and installed by others.

11. Plaster Skimcoat 1/16" - Supplied and installed by others.

12. Plaster Board - Supplied and installed by others. For 1/2" thick specify SF1; for 5/8" thick specify SF2.

Interior Luminaire Finish - Standard interior colors are White (WH), Black (BK) and Silver (SV). RAL Classic colors (SP) are available, please specify RAL#.

SELUX Corp. © 2006
 TEL: (845) 691-7723
 FAX: (845) 691-6749
 www.selux.com/USA
 M60_SF-01 (v5.0)



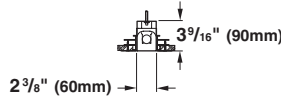
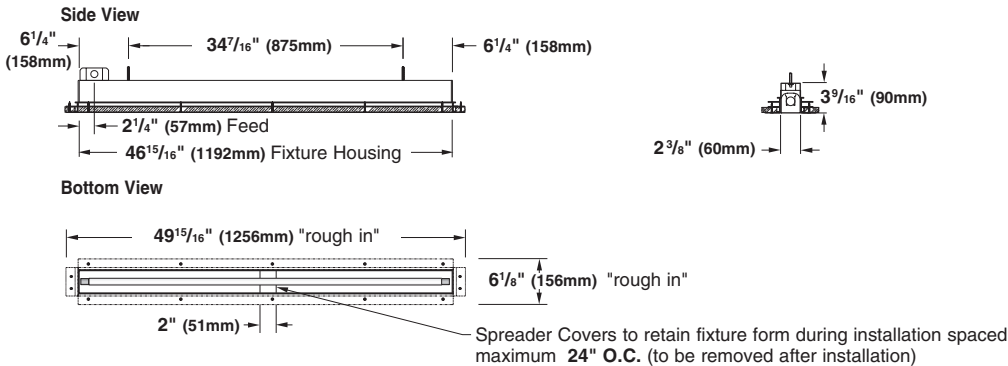
Union Made Affiliated
 with IBEW Local 363

In a continuing effort to offer the best product possible, we reserve the right to change, without notice, specifications or materials that in our opinion will not alter the function of the product. Specification sheets found at www.selux.com/usa are the most recent versions and supercede all other printed or electronic versions.

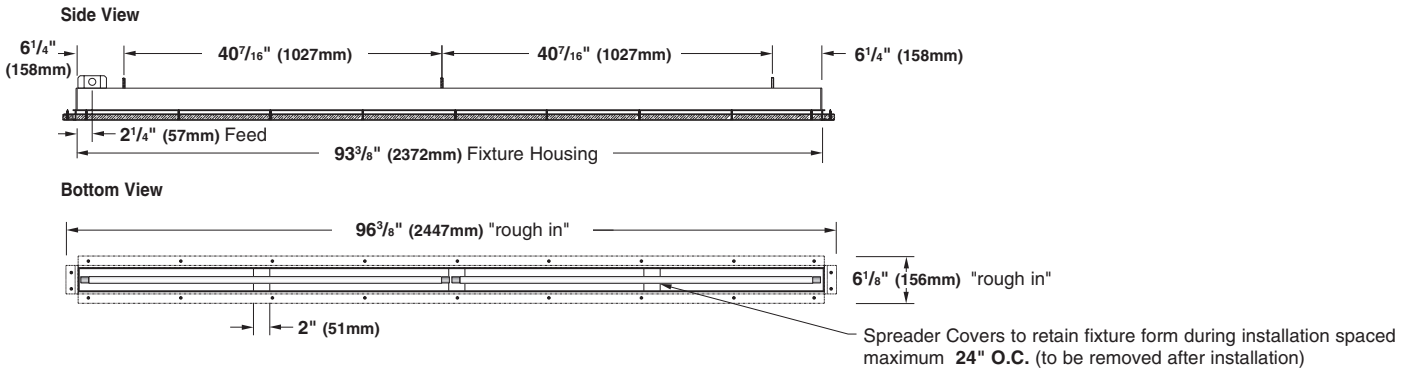
M60 Spackle Flange Layout Dimensions

Nominal 4 foot Individual

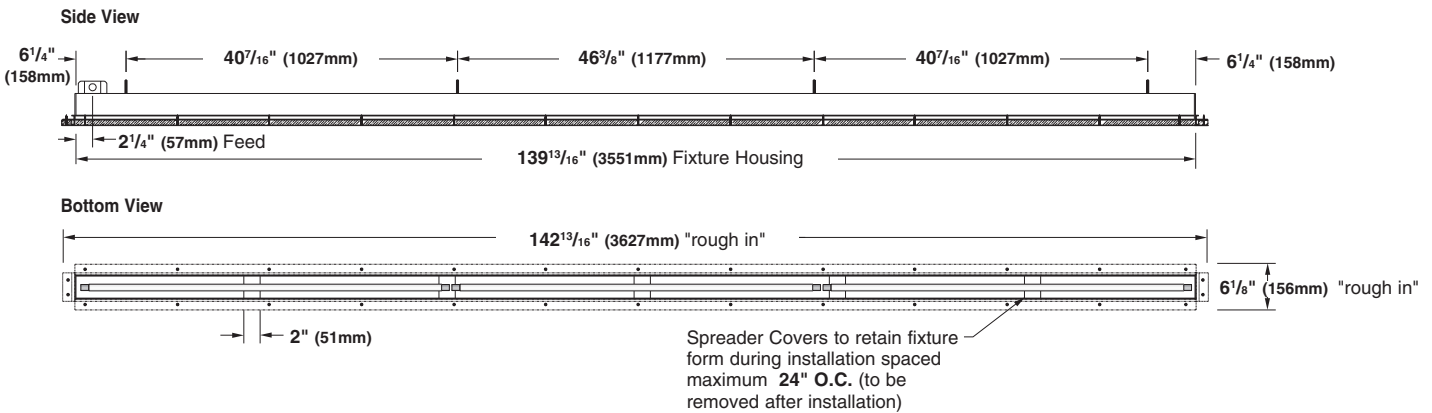
Typical End View (all lengths)



Nominal 8 foot Individual



Nominal 12 foot Individual



Fixture supplied with 7/8 knockout located 2 1/4" from end in top of fixture.

For other lengths, lamping, continuous runs or configurations please specify overall length (in feet), accessories desired and sketch/drawing of configuration. SELUX will detail project drawings upon order and supply submittal drawings for approval. Individual fixtures cannot be field joined. If you have any questions, contact SELUX customer service or applications engineering for assistance (1-800-SELUX-CS).

M60 Recessed Linear Fluorescent Spackle Flange - STAGGERED LAMPS



Project: _____ **Type:** _____ **Qty:** _____

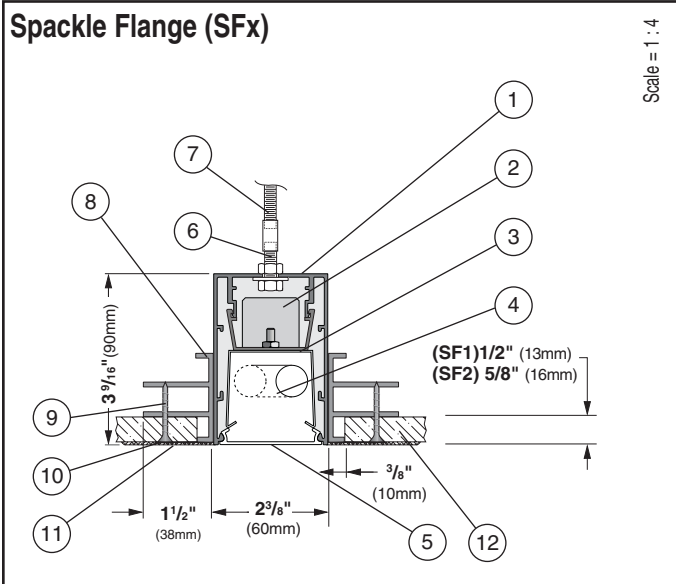
M60S	-	-	-	-	-	-	-
Fixture Series	Lamp Type	Shielding	Mounting	Nominal Length	Finish	Voltage	
-	-	-	-	-	-	-	-

Options (refer to separate data sheets for ordering codes and details)

Fixture Series	Lamp Type	Shielding	Mounting	Nominal Length	Finish	Voltage	Options
M60S M60 Recessed Multi-Mount Form Staggered Lamps	1T5 F28T5	OD Extra Diffuse Lens	SF1 Spackle Flange (1/2" dry wall)	008 8 foot	WH White	120	(<i>qty.</i>) EM Stand-by Battery Pack ¹ (prefix quantity, i.e. - 5EM)
	1T5HO F54T5HO	SD Satine Lens	SF2 Spackle Flange (5/8" dry wall)	012 12 foot	BK Black	277	FS Single Fusing
				For actual lengths see following page. For other lengths, configurations indicate nominal length rounded to the next highest foot. Factory will supply layout drawings. Individual fixtures cannot be field joined.	SV Silver	347	DM Dimming ¹ (specify system) DMA Digital Addressable Dimming ¹ FW Flex Whip (standard) FW1 Flex Whip (dimming) Track Eutrac Standard ² DL Suitable for Damp Locations CCEA Chicago Plenum Downlights (See MR11 spec sheet, pp.98)
					SP Specify RAL#		

¹Must be low profile ballasts (1 3/8" W x 1 3/16" H); consult factory for details. ²Consult factory for details.

Spackle Flange (SFx)



1. Housing - Continuous, 6063-T5 extruded aluminum profile up to 16 feet long. Joined with Connector Plus Joining System for ease of installation and to assure a uniform appearance.

2. Ballast - Electronic, high power factor, class "P", type "A" sound rating. Specify 120v, 277v, or 347v. Ballast is factory pre-wired with leads to one end of fixture. Consult factory for ballast options.

3. Gear Tray - Die formed gear tray with integral factory preset sliding covers to fill extrusion with light, with a matt white finish for even illumination. Geartray installs as complete electrical unit and is held in place with knurled dress nuts. It is fully accessible from below ceiling.

4. Lamps - As noted (by others). Other lamp lengths or wattages available, consult factory.

5. Shielding - Choose between **OD** Extra Diffuse Lens and **SD** Satine Lens. See page 8 for more details.

6. Pre-installed 1" 1/4-20 Stud - Attached to fixture every nominal 4 feet.

7. Coupling and Threaded Rod to Structure - Supplied and installed by others.

8. Spackle Flange - For 1/2" (SF1) or 5/8" (SF2) thick sheet rock, installed at factory.

9. Dry Wall Screw - Supplied and installed by others.

10. Fiberglass Sheetrock Tape - Supplied and installed by others.

11. Plaster Skimcoat 1/16" - Supplied and installed by others.

12. Plaster Board - Supplied and installed by others. For 1/2" thick specify SF1; for 5/8" thick specify SF2.

Interior Luminaire Finish - Standard interior colors are White (WH), Black (BK) and Silver (SV). RAL Classic colors (SP) are available, please specify RAL#.

SELUX Corp. © 2006
TEL: (845) 691-7723
FAX: (845) 691-6749
www.selux.com/USA
M60S_SF-01 (v5.0)



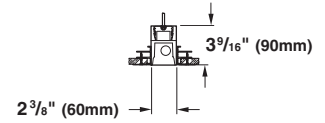
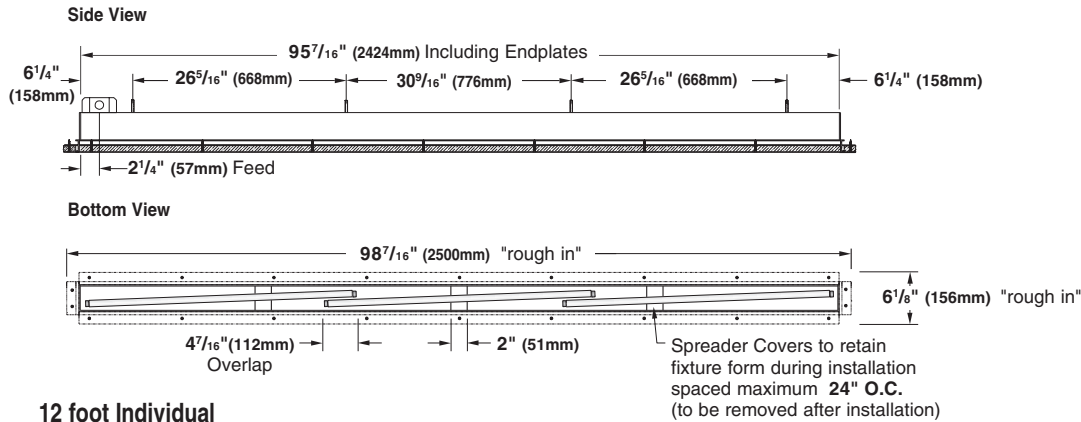
Union Made Affiliated
with IBEW Local 363

In a continuing effort to offer the best product possible, we reserve the right to change, without notice, specifications or materials that in our opinion will not alter the function of the product. Specification sheets found at www.selux.com/usa are the most recent versions and supersede all other printed or electronic versions.

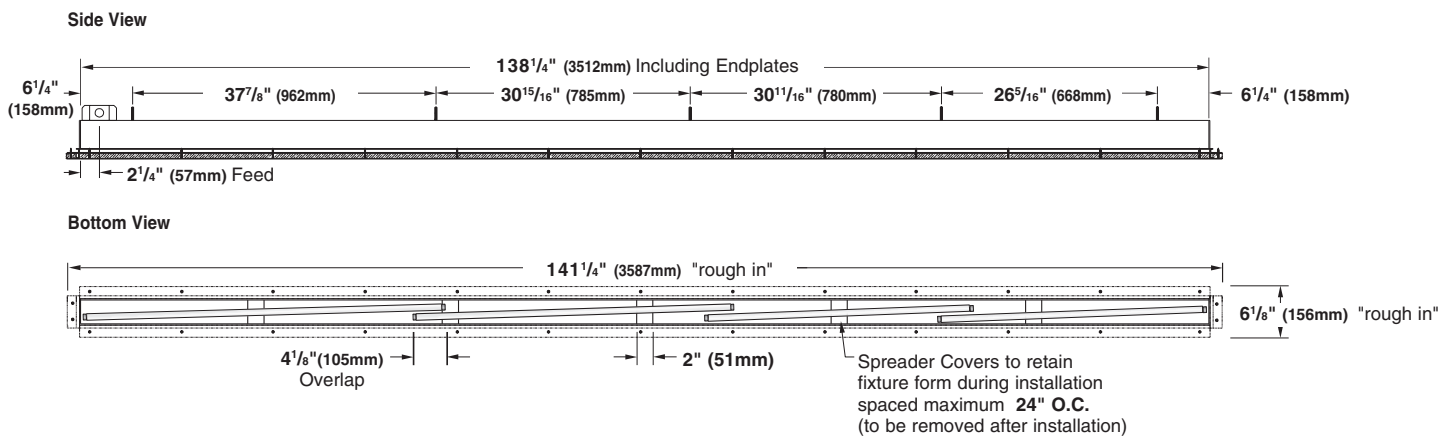
M60S (Single Staggered Lamps) Spackle Flange Layout Dimensions

8 foot Individual

Typical End View (all lengths)



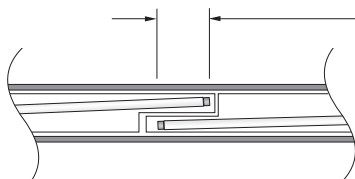
12 foot Individual



Fixture supplied with 7/8 knockout located 2 1/4" from end in top of fixture.

For other lengths, lamping, continuous runs or configurations please specify overall length (in feet), accessories desired and sketch/drawing of configuration. SELUX will detail project drawings upon order and supply submittal drawings for approval. Individual fixtures cannot be field joined. If you have any questions please contact SELUX customer service or applications engineering for assistance (1-800-SELUX-CS).

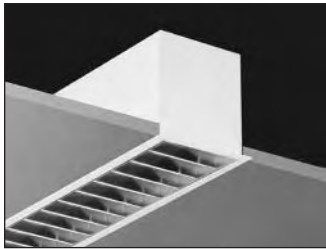
Staggered Lamps Principle



Lamps are spaced with 4" to 6" overlap to completely illuminate luminaire and eliminate socket shadows. Factory will supply approval drawings for other lengths using combinations of 21W & 28W T5 lamps or 39W & 54W T5HO lamps.

Minimal socket shadows may be visible at certain angles. Refer to pages 6 and 8 for more information.

M100 Recessed Linear Fluorescent Flanged Extrusion



Project: _____ Type: _____ Qty: _____

Fixture Series	Lamp Type	Shielding	Mounting	Mounting Option	Nominal Length	Finish	Voltage
----------------	-----------	-----------	----------	-----------------	----------------	--------	---------

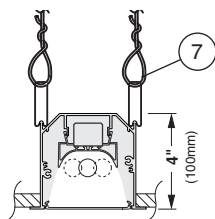
Options (refer to separate data sheets for ordering codes and details)

Fixture Series	Lamp Type	Shielding	Mounting	Nominal Length	Finish	Voltage	Options
M1R1 M100 Recessed Continuous Flange (Flanged Extrusion/Flanged Endcaps)	1T5 F28T5	SA Specular Parabolic	SH Suspension Clips	004 4 foot	WH White	120	TB Lengths to Fit 2' Grid, T-Bar Ceiling System ¹ (qty.)EM Stand-by Battery Pack ² (prefix quantity, i.e. - 5EM) FS Single Fusing DM Dimming ¹ (specify system) DMA Digital Addressable Dimming ¹ SI Satine Acrylic Inlay ³ FW Flex Whip (standard) FW1 Flex Whip (dimming) Track Eutrac Standard ⁴ DL Suitable for Damp Locations CCEA Chicago Plenum Downlights (See MR16 spec sheets, pp.98-99)
	2T5 (2x)F28/T5	MA Matte Parabolic	TS 1" Studs (factory installed)	008 8 foot	BK Black	277	
	1T5HO F54T5HO	MP Silky Specular Parabolic	RC Rotating Crossbars	012 12 foot	SV Silver	347	
M1R2 M100 Recessed Flush End (Flanged Extrusion/Flangeless Endcaps)	1T8 F032/T8	PL Matte Perforated Parabolic	PM Perimeter Mount	For actual lengths see following page. For other lengths, configurations indicate nominal length rounded to the next highest foot. Factory will supply layout drawings. Individual fixtures cannot be field joined.			
		SD Satine Lens OD Extra Diffuse Lens X None			SP Specify RAL#		

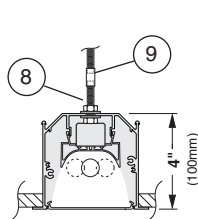
¹T5 & T5HO lamps only, consult factory for other lamps. ²Must be low profile ballasts (1 1/2" W x 1 3/16" H); consult factory for details. ³SA, MA, MP & PL shieldings only. ⁴Consult factory for details.

Mounting Diagrams

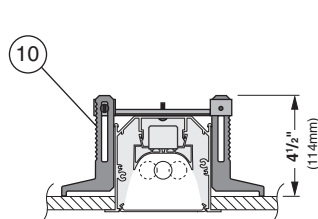
Suspension Clips (SH)



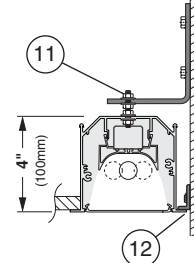
Pre-installed Rod (TS)



Rotating Crossbars (RC)



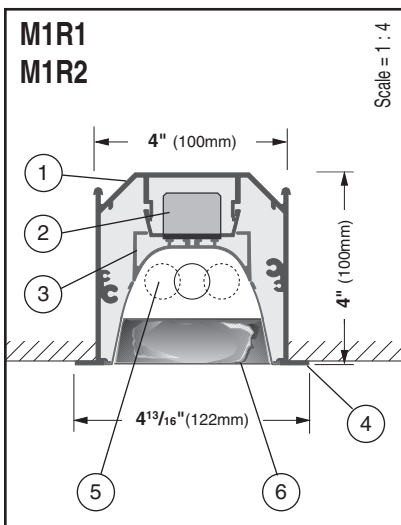
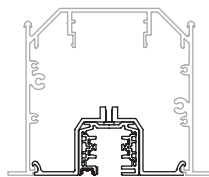
Perimeter Mount (PM)



Scale = 1 : 8

Track

Track insert including track available for all configurations, consult factory for details.



Scale = 1 : 4

1. Housing - Continuous, 6063-T5 extruded aluminum profile up to 16 feet long. Joined with Connector Plus Joining System for ease of installation and to assure a uniform appearance.

2. Ballast - Electronic, high power factor, class "P", type "A" sound rating. Specify 120v, 277v, or 347v. Ballast is factory pre-wired with leads to one end of fixture. Consult factory for ballast options.

3. Gear Tray - Extruded aluminum, with white painted finish. Gear tray installed as a complete electrical unit and is held in place with knurled dress nuts. It is fully accessible from below ceiling.

4. Flange - 1/2" (12mm) wide flange runs full lengths of both sides and is part of the main extruded body. Specify continuous flange (M1R1) or flush end (M1R2).

5. Lamps - As noted (by others). Other lamp lengths or wattages available, consult factory.

6. Shielding - Louvers offer excellent glare control in longitudinal, lateral, and all diagonal planes. High quality aluminum louvers and acrylic shielding allow true freedom of layout for today's modern spaces.

7. Spring Steel Suspension Clips - Supplied two places, located nominally every 4 ft. Support wires supplied and installed by others.

8. Pre-installed 1" 1/4-20 Stud - Attached to fixture every nominal 4 feet.

9. Coupling and Threaded Rod to Structure - Supplied and installed by others.

10. Rotating Crossbar - For inaccessible ceilings, adjustable for ceiling thicknesses from 1/4" to 2". Support required nominally every 4'.

11. Steel Wall Bracket and 1/4-20 Rod - Supplied nominally every 4 ft. Fasteners to wall and wall anchors by others.

12. Aluminum Wallbracket - Secured to wall (fasteners and wall anchors by others) and runs entire length of fixture. Also supplied for width of fixtures when supplied with continuous flange. Allows for 1/8" gap between flange and wall to create shadow line allowing for unevenness of wall.

Interior Luminaire Finish - Standard interior colors are White (WH), Black (BK) and Silver (SV). RAL colors (SP) are available, please specify RAL#.

SELUX Corp. © 2006
 TEL: (845) 691-7723
 FAX: (845) 691-6749
 www.selux.com/USA
 M1R1-01 (v5.0)



Union Made Affiliated
 with IBEW Local 363

In a continuing effort to offer the best product possible, we reserve the right to change, without notice, specifications or materials that in our opinion will not alter the function of the product. Specification sheets found at www.selux.com/usa are the most recent versions and supersede all other printed or electronic versions.

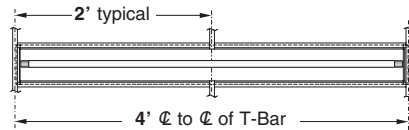
M1R1 and M1R2 Layout Dimensions

Specify T5 lamps when using in grid ceiling systems where 24" or 48" light openings are required.

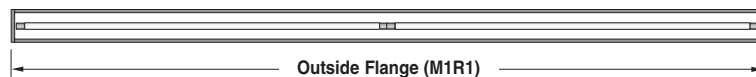
M1R1 Recessed - nominal 4 foot individual



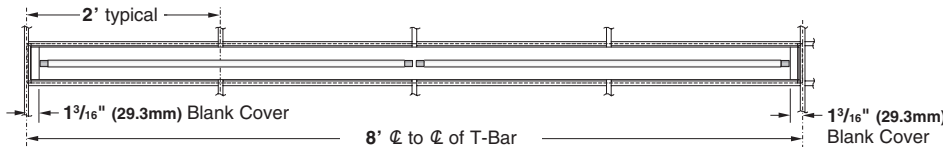
M1R1 Recessed - T-Bar Length - nominal 4 foot individual



M1R1 Recessed - nominal 8 foot individual



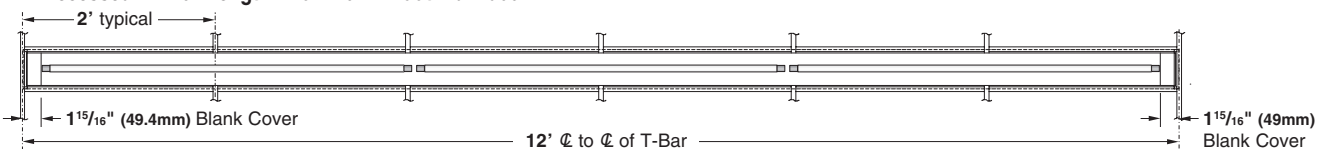
M1R1 Recessed - T-Bar Length - nominal 8 foot individual



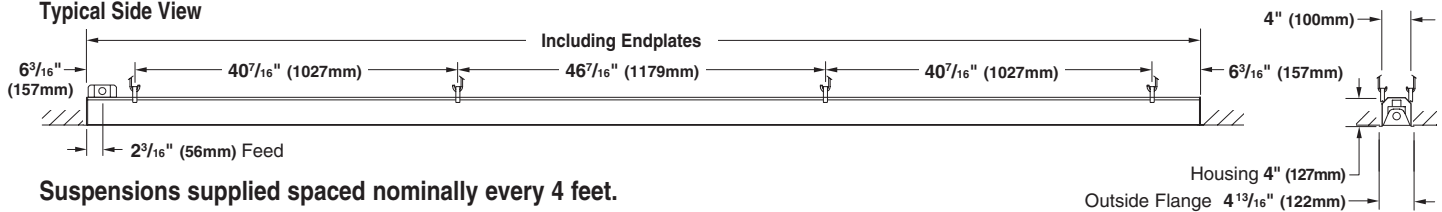
M1R1 Recessed - nominal 12 foot individual



M1R1 Recessed - T-Bar Length - nominal 12 foot individual



Typical Side View



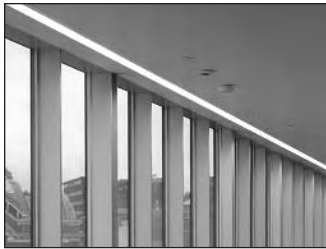
Suspensions supplied spaced nominally every 4 feet.

Fixture supplied with 7/8 knockout located 2³/₁₆" from end in top of fixture.

	T5 (1 or 2 lamp)				T8 (1 lamp)	
	M1R1/M1R2 Including Endplates	M1R1 Outside Flange	M1R1/M1R2 - TB Including Endplates	M1R1 - TB Outside Flange	M1R1/M1R2 Including Endplates	M1R1 Outside Flange
4 foot individual	46.81" (1186mm)	47.58" (1209mm)	47.03" (1195mm)	47.91" (1216mm)	48.33" (1228mm)	49.20" (1250mm)
8 foot individual	93.21" (2365mm)	94.00" (2388mm)	95.03" (2414mm)	95.91" (2436mm)	96.37" (2448mm)	97.24" (2470mm)
12 foot individual	139.65" (3544mm)	140.41" (3567mm)	143.03" (3633mm)	143.91" (3655mm)	144.41" (3668mm)	145.28" (3690mm)

For other lengths, lamping, continuous runs or configurations please specify overall length (in feet), accessories desired and sketch/drawing of configuration. SELUX will detail project drawings upon order and supply submittal drawings for approval. Individual fixtures cannot be field joined. If you have any questions please contact SELUX customer service or applications engineering for assistance (1-800-SELUX-CS).

M100 Recessed Linear Fluorescent Flanged Extrusion - STAGGERED LAMPS



Project: _____ **Type:** _____ **Qty:** _____

Fixture Series	Lamp Type	Shielding	Mounting	Mounting Option	Nominal Length	Finish	Voltage
----------------	-----------	-----------	----------	-----------------	----------------	--------	---------

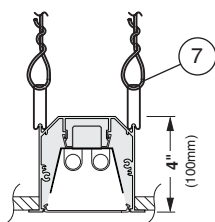
Options (refer to separate data sheets for ordering codes and details)

Fixture Series	Lamp Type	Shielding	Mounting	Nominal Length	Finish	Voltage	Options
M1R1S M100 Recessed Continuous Flange (Flanged Extrusion/Flanged Endcaps) Staggered Lamps	1T5 F28T5	SD Satine Lens	SH Suspension Clips	008 8 foot	WH White	120	TB Lengths to Fit 2' Grid T-Bar Ceiling System ¹ (qty.)EM Stand-by Battery Pack ² (prefixed quantity, i.e. - 5EM) FS Single Fusing DM Dimming ² (specify system) DMA Digital Addressable Dimming ² FW Flex Whip (standard) FW1 Flex Whip (dimming) Track Eutrac Standard ³ DL Suitable for Damp Locations CCEA Chicago Plenum Downlights (See MR16 spec sheets, pp.98-99)
	1T5HO F54T5HO	OD Extra Diffuse Lens	TS 1" Studs (factory installed) RC Rotating Crossbars PM Perimeter Mount	012 12 foot	BK Black SV Silver SP Specify RAL#	277 347	
M1R2S M100 Recessed Flush End (Flanged Extrusion/Flangeless Endcaps) Staggered Lamps	2T5 (2x)F28/T5			For actual lengths see following page. For other lengths, configurations indicate nominal length rounded to the next highest foot. Factory will supply layout drawings. Individual fixtures cannot be field joined.			

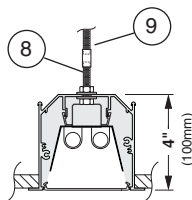
¹ Available with M1R1S only. ² Must be low profile ballasts (1 1/2" W x 1 3/16" H); consult factory for details. ³ Consult factory for details.

Mounting Diagrams

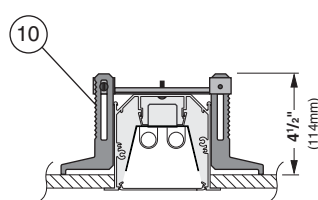
Suspension Clips (SH)



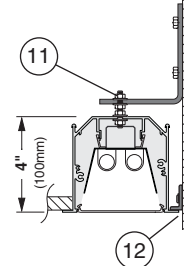
Pre-installed Rod (TS)



Rotating Crossbars (RC)



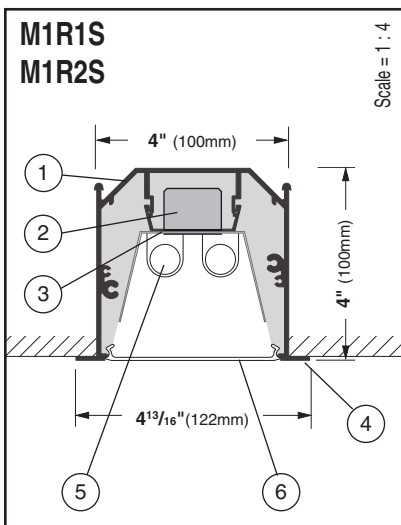
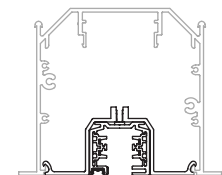
Perimeter Mount (PM)



Scale = 1 : 8

Track

Track insert including track available for all configurations, consult factory for details.



1. Housing - Continuous, 6063-T5 extruded aluminum profile up to 16 feet long. Joined with Connector Plus Joining System for ease of installation and to assure a uniform appearance.

2. Ballast - Electronic, high power factor, class "P", type "A" sound rating. Specify 120v, 277v, or 347v. Ballast is factory pre-wired with leads to one end of fixture. Consult factory for ballast options.

3. Gear Tray - Die formed gear tray with integral factory preset sliding covers to fill extrusion with light, with a matt white finish for even illumination. Geartray installs as complete electrical unit and is held in place with knurled dress nuts. It is fully accessible from below ceiling.

4. Flange - 1/2" (12mm) wide flange runs full lengths of both sides and is part of the main extruded body. Specify continu-

ous flange (M1R1S) or flangeless endcaps (M1R2S).

5. Lamps - As noted (by others). Other lamp lengths or wattages available, consult factory.

6. Shielding - Choose between **OD** Extra Diffuse Lens and **SD** Satine Lens. See page 8 for more details.

7. Spring Steel Suspension Clips - Supplied two places, located nominally every 4 ft. Support wires supplied and installed by others.

8. Pre-installed 1" 1/4-20 Stud - Attached to fixture every nominal 4 feet.

9. Coupling and Threaded Rod to Structure - Supplied and installed by others.

10. Rotating Crossbar - For inaccessible ceilings, adjustable for ceiling thicknesses from 1/4" to 2". Support required nominally every 4'.

11. Steel Wall Bracket and 1/4-20 Rod - Supplied nominally every 4 ft. Fasteners to wall and wall anchors by others.

12. Aluminum Wallbracket - Secured to wall (fasteners and wall anchors by others) and runs entire length of fixture. Also supplied for width of fixtures when supplied with continuous flange. Allows for 1/8" gap between flange and wall to create shadow line allowing for unevenness of wall.

Interior Luminaire Finish - Standard interior colors are White (WH), Black (BK) and Silver (SV). RAL colors (SP) are available, please specify RAL#.

SELUX Corp. © 2006
TEL: (845) 691-7723
FAX: (845) 691-6749
www.selux.com/usa
M1R1S-01 (v5.0)

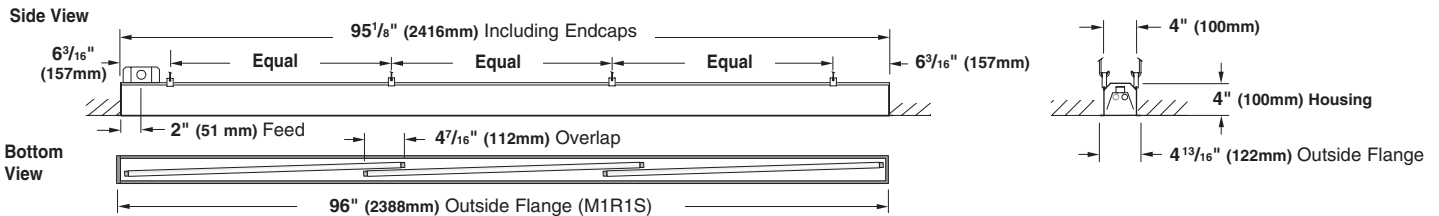


Union Made Affiliated
with IBEW Local 363

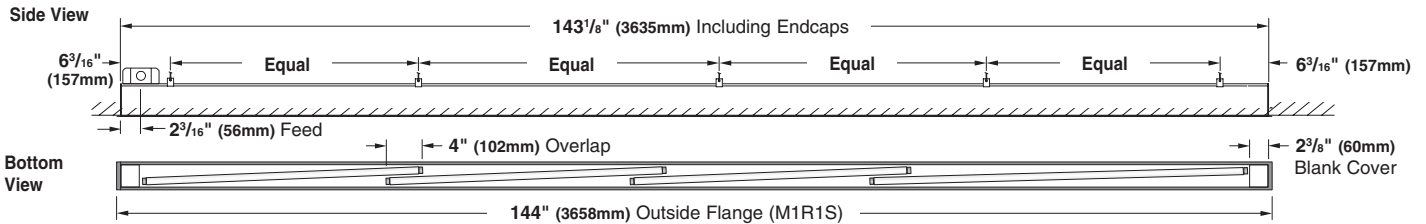
In a continuing effort to offer the best product possible, we reserve the right to change, without notice, specifications or materials that in our opinion will not alter the function of the product. Specification sheets found at www.selux.com/usa are the most recent versions and supercede all other printed or electronic versions.

M1R1S/M1R2S (Single Staggered Lamps) Standard Layout Dimensions

Nominal 8 foot Individual

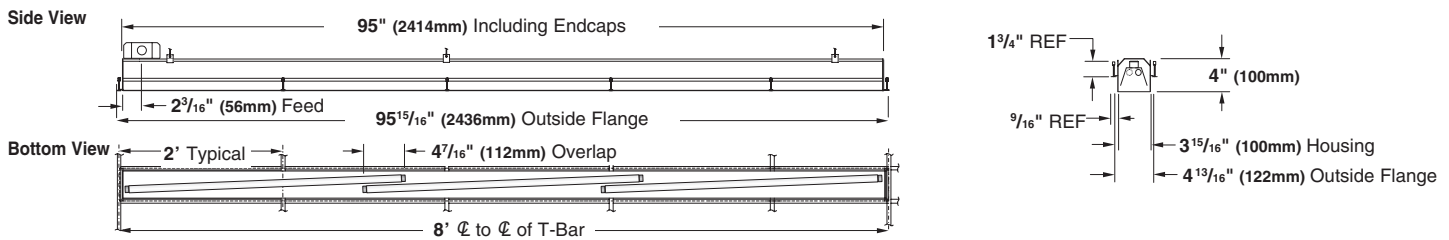


Nominal 12 foot Individual

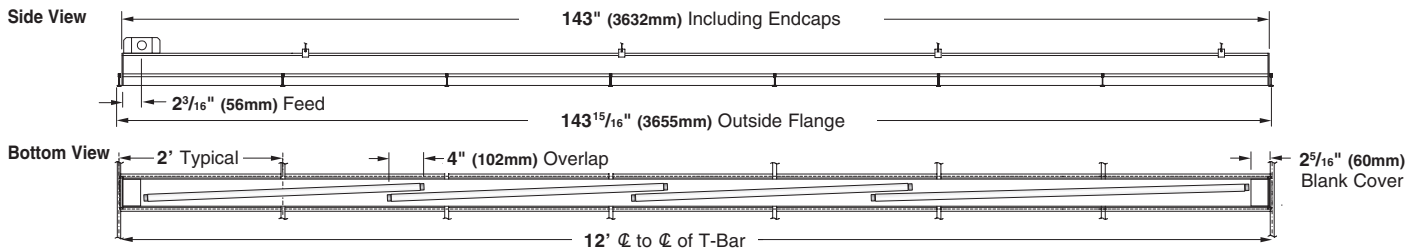


M1R1S (Single Staggered Lamps) T-Bar Layout Dimensions (option - TB)

Nominal 8 foot Individual



Nominal 12 foot Individual



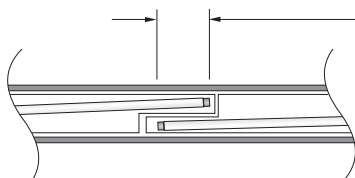
Suspensions supplied spaced nominally every 4 feet. Fixture supplied with 7/8 knockout located 2 3/16" from end in top of fixture. See chart on page 6 for optimal custom lengths under 18 ft. Any length over 18 ft. possible, see below.

For other lengths, lamping, continuous runs or configurations please specify overall length (in feet), accessories desired and sketch/drawing of configuration. SELUX will detail project drawings upon order and supply submittal drawings for approval. Individual fixtures cannot be field joined. If you have any questions please contact SELUX customer service or applications engineering for assistance (1-800-SELUX-CS).

M1R1S/M1R2S (Double Staggered Lamps) Layout Dimensions -

Factory will provide submittal drawings. See chart on page 7 for lengths under 22 ft.

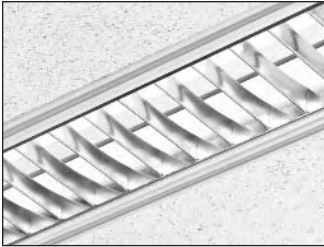
Staggered Lamps Principle



Lamps are spaced with 4" to 6" overlap to completely illuminate luminaire and eliminate socket shadows. Factory will supply approval drawings for other lengths using combinations of 21W & 28W T5 lamps or 39W & 54W T5HO lamps.

Minimal socket shadows may be visible at certain angles. Refer to page 8 for more information.

M100 Recessed Linear Fluorescent Slot Grid / Thick Ceiling Panel



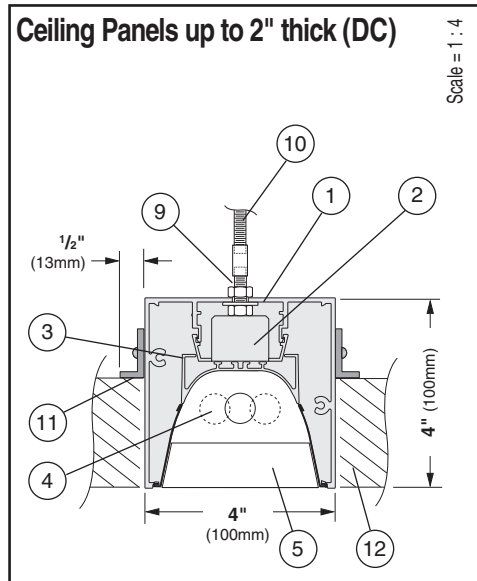
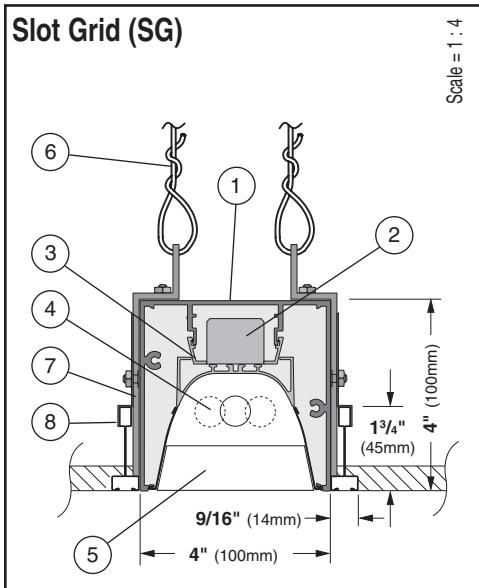
Project: _____ **Type:** _____ **Qty:** _____

M10	---	---	---	---	---	---
Fixture Series	Lamp Type	Shielding	Mounting	Nominal Length	Finish	Voltage
---	---	---	---	---	---	---

Options (refer to separate data sheets for ordering codes and details)

Fixture Series	Lamp Type	Shielding	Mounting	Nominal Length	Finish	Voltage	Options
M10 M100 Recessed Multi-Mount Form	1T5 F28T5	SA Specular Parabolic	SG Slot Grid ¹	004 4 foot	WH White	120	(qty.)EM Stand-by Battery Pack ² (prefix quantity, i.e. - 5EM) FS Single Fusing DM Dimming ² (specify system) DMA Digital Addressable Dimming ² SI Satine Acrylic Inlay ⁴ FW Flex Whip (standard) FW1 Flex Whip (dimming) Track Eutrac Standard ³ DL Suitable for Damp Locations CCEA Chicago Plenum Downlights (See MR16 spec sheets, pp.98-99)
	2T5 (2x)F28/T5	MA Matte Parabolic	DC Ceiling Panels up to 2" thick (lengths per submittal drawings)	008 8 foot	BK Black	277	
	1T5HO F54T5HO	MP Silky Specular Parabolic		012 12 foot	SV Silver	347	
	1T8 F032/T8	PL Matte Perforated Parabolic			SP Specify RAL#		
		SD Satine Lens OD Extra Diffuse Lens X None		For actual lengths see following page. For other lengths, configurations indicate nominal length rounded to the next highest foot. Factory will supply layout drawings. Individual fixtures cannot be field joined.			

¹T5 & T5HO lamps only, consult factory for other lamps. ²Must be low profile ballasts (1 1/2" W x 1 3/16" H); consult factory for details. ³Consult factory for details. ⁴SA, MA, MP & PL shieldings only.



1. Housing - Continuous, 6063-T5 extruded aluminum profile up to 16 feet long. Joined with Connector Plus Joining System for ease of installation and to assure a uniform appearance.

2. Ballast - Electronic, high power factor, class "P", type "A" sound rating. Specify 120v, 277v, or 347v. Ballast is factory pre-wired with leads to one end of fixture. Consult factory for ballast options.

3. Gear Tray - Extruded aluminum, with white painted finish. Gear tray installed as a complete electrical unit and is held in place with knurled dress nuts. It is fully accessible from below ceiling.

4. Lamps - As noted (by others). Other lamp lengths or wattages available, consult factory.

5. Shielding - Louvers offer excellent glare control in longitudinal, lateral, and all diagonal planes. High quality aluminum louvers and acrylic shielding allow true freedom of layout for today's modern spaces.

6. Support wire to structure - Supplied and installed by others.

7. Support bracket - Supplied nominally every four feet.

8. Slot grid beam and cross tees - Supplied and installed by others.

9. Pre-installed 1" 1/4-20 Stud - Attached to fixture every nominal 4 feet.

10. Coupling and Threaded Rod to Structure - Supplied and installed by others.

11. Aluminum angle brackets - Run entire length of fixture to block view into plenum area from below fixture.

12. Ceiling Panels up to 2 inch thick - Supplied and installed by others. Suitable for Decoustic[®] ceiling panel installations. Other ceiling systems possible, please consult factory. Decoustic[®] is a registered trademark of Decoustics Ltd. Corporation.

Interior Luminaire Finish - Standard interior colors are White (WH), Black (BK) and Silver (SV). RAL colors (SP) are available, please

SELUX Corp. © 2006
 TEL: (845) 691-7723
 FAX: (845) 691-6749
 www.selux.com/USA
 M10_SG-01 (v5.0)



Union Made Affiliated
 with IBEW Local 363

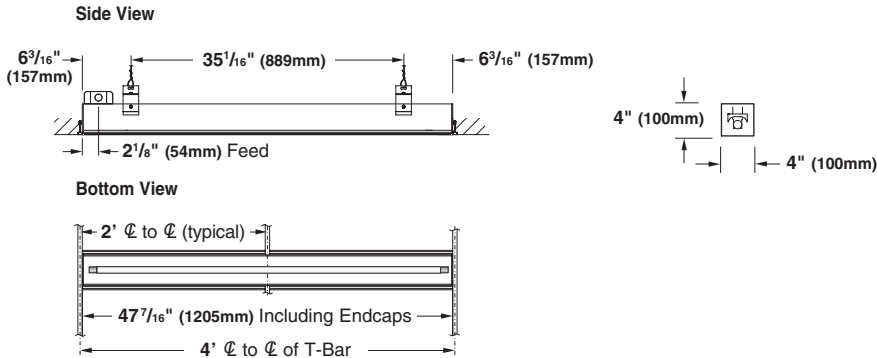
In a continuing effort to offer the best product possible, we reserve the right to change, without notice, specifications or materials that in our opinion will not alter the function of the product. Specification sheets found at www.selux.com/usa are the most recent versions and supercede all other printed or electronic versions.

M10 Slot Grid Layout Dimensions

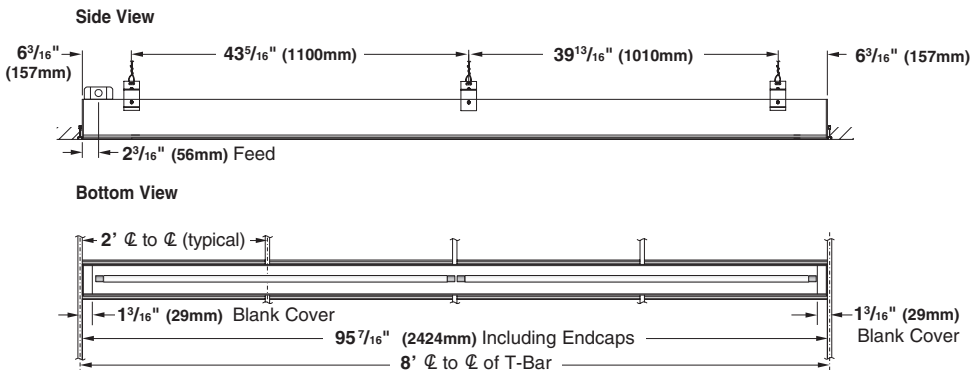
For T5 and T5HO lamps only, for other lamping consult factory.

Nominal 4 foot Individual

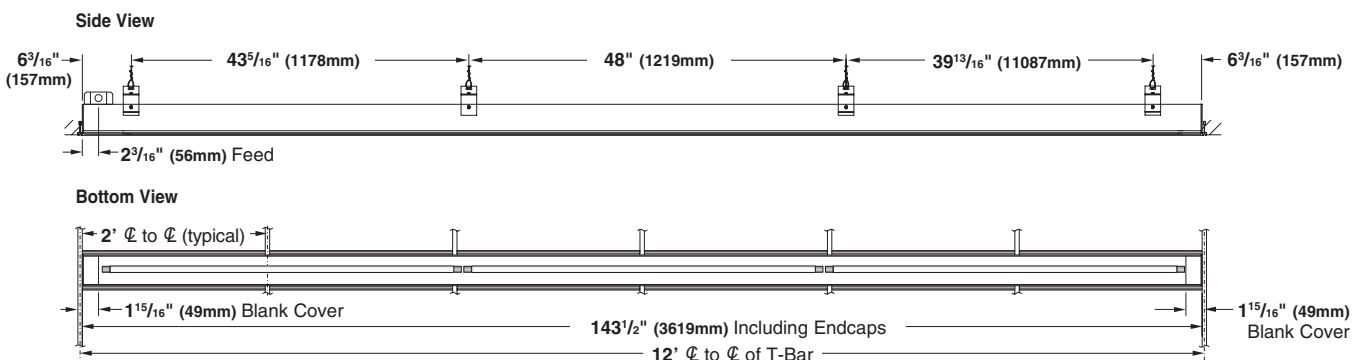
Typical End View (all lengths)



Nominal 8 foot Individual



Nominal 12 foot Individual



Fixture supplied with 7/8 knockout located 2³/₁₆" from end in top of fixture.

For other lengths, lamping, continuous runs or configurations please specify overall length (in feet), accessories desired and sketch/drawing of configuration. SELUX will detail project drawings upon order and supply submittal drawings for approval. Individual fixtures cannot be field joined. If you have any questions please contact SELUX customer service or applications engineering for assistance (1-800-SELUX-CS).

M100 Recessed Linear Fluorescent Slot Grid / Thick Ceiling Panel - STAGGERED LAMPS



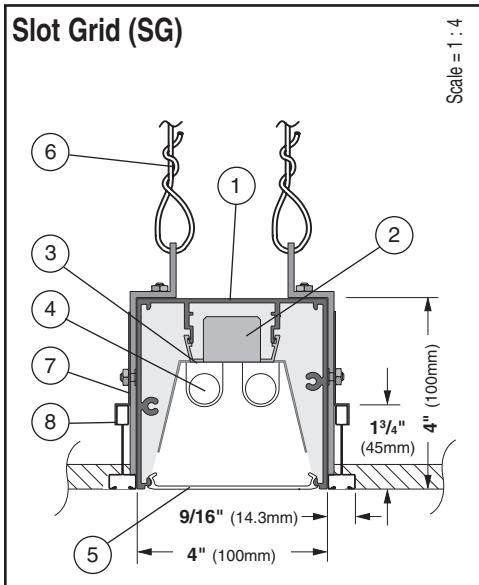
Project: _____ **Type:** _____ **Qty:** _____

M10S	---	---	---	---	---	---
Fixture Series	Lamp Type	Shielding	Mounting	Nominal Length	Finish	Voltage
---	---	---	---	---	---	---

Options (refer to separate data sheets for ordering codes and details)

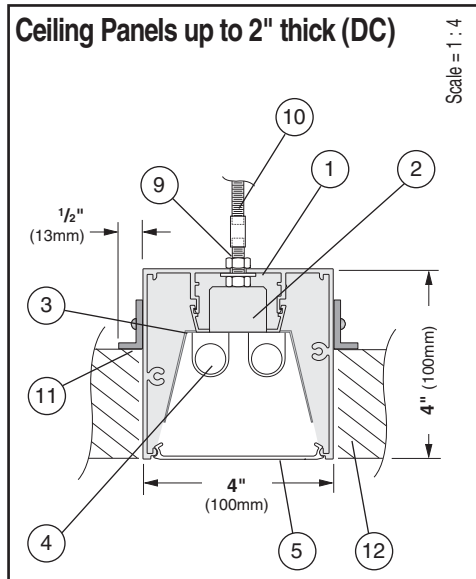
Fixture Series	Lamp Type	Shielding	Mounting	Nominal Length	Finish	Voltage	Options
M10S M100 Recessed Multi-Mount Form Staggered Lamps	1T5 F28T5	SD Satine Lens	SG Slot Grid	008 8 foot	WH White	120	(qty.) EM Stand-by Battery Pack ¹ (prefix quantity, i.e. - 5EM)
	1T5HO F54T5HO	OD Extra Diffuse Lens	DC Ceiling Panels up to 2" thick (lengths per submittal drawings)	012 12 foot	BK Black	277	FS Single Fusing
	2T5 (2x)F28/T5			For actual lengths see following page. For other lengths, configurations indicate nominal length rounded to the next highest foot. Factory will supply layout drawings. Individual fixtures cannot be field joined.	SV Silver	347	DM Dimming ¹ (specify system)
					SP Specify RAL#		DMA Digital Addressable Dimming ¹
							FW Flex Whip (standard)
							FW1 Flex Whip (dimming)
							Track Eutrac Standard ²
							DL Suitable for Damp Locations
							CCEA Chicago Plenum
							Downlights (See MR16 spec sheets, pp.98-99)

¹Must be low profile ballasts (1 1/2" W x 1 3/16" H); consult factory for details. ²Consult factory for details.



1. Housing - Continuous, 6063-T5 extruded aluminum profile up to 16 feet long. Joined with Connector Plus Joining System for ease of installation and to assure a uniform appearance.

2. Ballast - Electronic, high power factor, class "P", type "A" sound rating. Specify 120v, 277v, or 347v. Ballast is factory pre-wired with leads to one end of fixture. Consult factory for ballast options.



3. Gear Tray - Die formed gear tray with integral factory preset sliding covers to fill extrusion with light, with a matt white finish for even illumination. Geartray installs as complete electrical unit and is held in place with knurled dress nuts. It is fully accessible from below ceiling.

4. Lamps - As noted (by others). Other lamp lengths or wattages available, consult factory.

5. Shielding - Choose between **OD** Extra Diffuse Lens and **SD** Satine Lens. See page 8 for more details.

6. Support wire to structure - Supplied and installed by others.

7. Support bracket - Supplied nominally every four feet.

8. Slot grid beam and cross tees - Supplied and installed by others.

9. Pre-installed 1" 1/4-20 Stud - Attached to fixture every nominal 4 feet.

10. Coupling and Threaded Rod to Structure - Supplied and installed by others.

11. Aluminum angle brackets - Run entire length of fixture to block view into plenum area from below fixture.

12. Ceiling Panels up to 2 inch thick - Supplied and installed by others. Suitable for Decoustic[®] ceiling panel installations. Other ceiling systems possible, please consult factory. Decoustic[®] is a registered trademark of Decoustics Ltd. Corporation.

Interior Luminaire Finish - Standard interior colors are White (WH), Black (BK) and Silver (SV). RAL colors (SP) are available, please specify RAL#.

SELUX Corp. © 2006
TEL: (845) 691-7723
FAX: (845) 691-6749
www.selux.com/USA
M10S_SG-01 (v5.0)



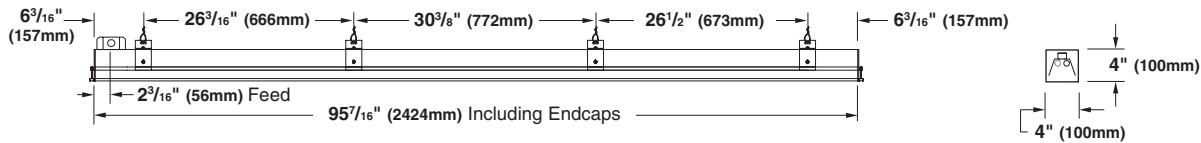
Union Made Affiliated
with IBEW Local 363

In a continuing effort to offer the best product possible, we reserve the right to change, without notice, specifications or materials that in our opinion will not alter the function of the product. Specification sheets found at www.selux.com/usa are the most recent versions and supercede all other printed or electronic versions.

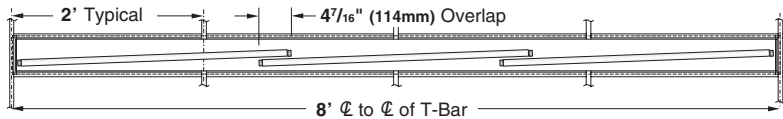
M10S (Single Staggered Lamps) Slot Grid Layout Dimensions

Nominal 8 foot Individual

Side View

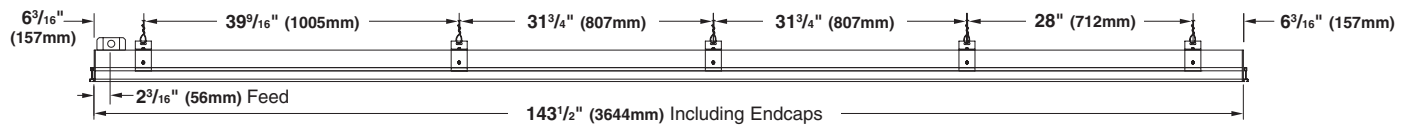


Bottom View

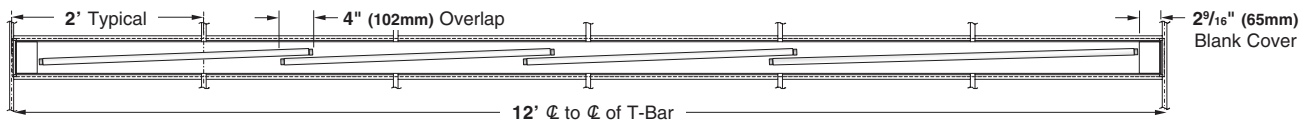


Nominal 12 foot Individual

Side View



Bottom View



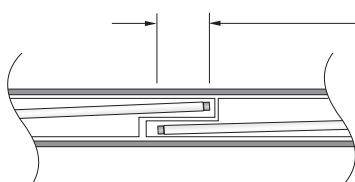
Fixture supplied with 7/8 knockout located 2 3/16" from end in top of fixture.

For other lengths, lamping, continuous runs or configurations please specify overall length (in feet), accessories desired and sketch/drawing of configuration. SELUX will detail project drawings upon order and supply submittal drawings for approval. Individual fixtures cannot be field joined. If you have any questions please contact SELUX customer service or applications engineering for assistance (1-800-SELUX-CS).

M10S Slot Grid (Double Staggered Lamps) Layout Dimensions -

Factory will provide submittal drawings. See chart on page 7 for lengths under 22 ft.

Staggered Lamps Principle



Lamps are spaced with 4" to 6" overlap to completely illuminate luminaire and practically eliminate socket shadows. Factory will supply approval drawings for other lengths using combinations of 21W & 28W T5 lamps or 39W & 54W T5HO lamps.

Minimal socket shadows may be visible at certain angles. Refer to page 8 for more information.

M100 Recessed Linear Fluorescent Spackle Flange



Project: _____ **Type:** _____ **Qty:** _____

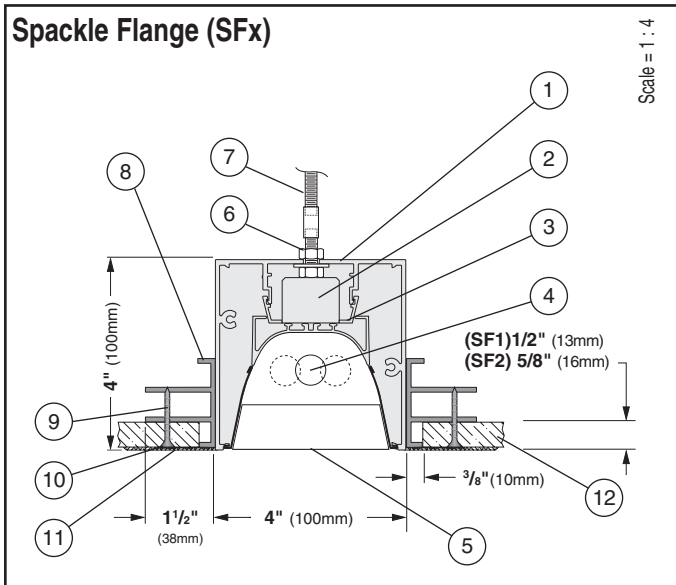
M10	-	-	-	-	-	-	-
Fixture Series	Lamp Type	Shielding	Mounting	Nominal Length	Finish	Voltage	
-	-	-	-	-	-	-	-

Options (refer to separate data sheets for ordering codes and details)

Fixture Series	Lamp Type	Shielding	Mounting	Nominal Length	Finish	Voltage	Options
M10 M100 Recessed Multi-Mount Form	1T5 F28T5	SA Specular Parabolic	SF1 Spackle Flange (1/2" dry wall)	004 4 foot	WH White	120	(qty) EM Stand-by Battery Pack ¹ (prefix quantity, i.e. - 5EM) FS Single Fusing DM Dimming ¹ (specify system) DMA Digital Addressable Dimming ¹ SI Satine Acrylic Inlay ³ FW Flex Whip (standard) FW1 Flex Whip (dimming) Track Eutrac Standard ² DL Suitable for Damp Locations CCEA Chicago Plenum Downlights (See MR16 spec sheets, pp.98-99)
	2T5 (2x)F28/T5	MA Matte Parabolic		008 8 foot	BK Black	277	
	1T5HO F54T5HO	MP Silky Specular Parabolic	SF2 Spackle Flange (5/8" dry wall)	012 12 foot	SV Silver	347	
	1T8 F032/T8	PL Matte Perforated Parabolic		For actual lengths see following page. For other lengths, configurations indicate nominal length rounded to the next highest foot. Factory will supply layout drawings. Individual fixtures cannot be field joined.	SP Specify RAL#		
		SD Satine Lens OD Extra Diffuse Lens X None					

¹Must be low profile ballasts (1 1/2" W x 1 1/8" H); consult factory for details. ²Consult factory for details. ³SA, MA, MP & PL shieldings only.

Spackle Flange (SFx)



1. Housing - Continuous, 6063-T5 extruded aluminum profile up to 16 feet long. Joined with Connector Plus Joining System for ease of installation and to assure a uniform appearance.

2. Ballast - Electronic, high power factor, class "P", type "A" sound rating. Specify 120v, 277v, or 347v. Ballast is factory pre-wired with leads to one end of fixture. Consult factory for ballast options.

3. Gear Tray - Extruded aluminum, with white painted finish. Gear tray installed as a complete electrical unit and is held in place with knurled dress nuts. It is fully accessible from below ceiling.

4. Lamps - As noted (by others). Other lamp lengths or wattages available, consult factory.

5. Shielding - Louvers offer excellent glare control in longitudinal, lateral, and all diagonal planes. High quality aluminum louvers and acrylic shielding allow true freedom of layout for today's modern spaces.

6. Pre-installed 1" 1/4-20 Stud - Attached to fixture every nominal 4 feet. Coupling and threaded rod Supplied and installed by others.

7. Coupling and Threaded Rod to Structure - Supplied and installed by others.

8. Spackle Flange - For 1/2" (SF1) or 5/8" (SF2) thick sheet rock, installed at factory.

9. Dry Wall Screw - Supplied and installed by others.

10. Fiberglass Sheetrock Tape - Supplied and installed by others.

11. Plaster Skimcoat 1/16" - Supplied and installed by others.

12. Plaster board - Supplied and installed by others. For 1/4" thick specify SF1; for 5/8" thick specify SF2.

Interior Luminaire Finish - Standard interior colors are White (WH), Black (BK) and Silver (SV). RAL colors (SP) are available, please specify RAL#.

SELUX Corp. © 2006
TEL: (845) 691-7723
FAX: (845) 691-6749
www.selux.com/USA
M10_SF-01 (v5.0)



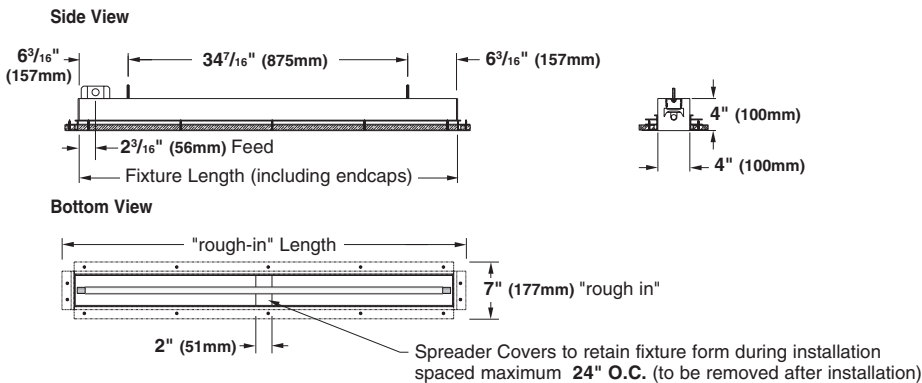
Union Made Affiliated
with IBEW Local 363

In a continuing effort to offer the best product possible, we reserve the right to change, without notice, specifications or materials that in our opinion will not alter the function of the product. Specification sheets found at www.selux.com/usa are the most recent versions and supercede all other printed or electronic versions.

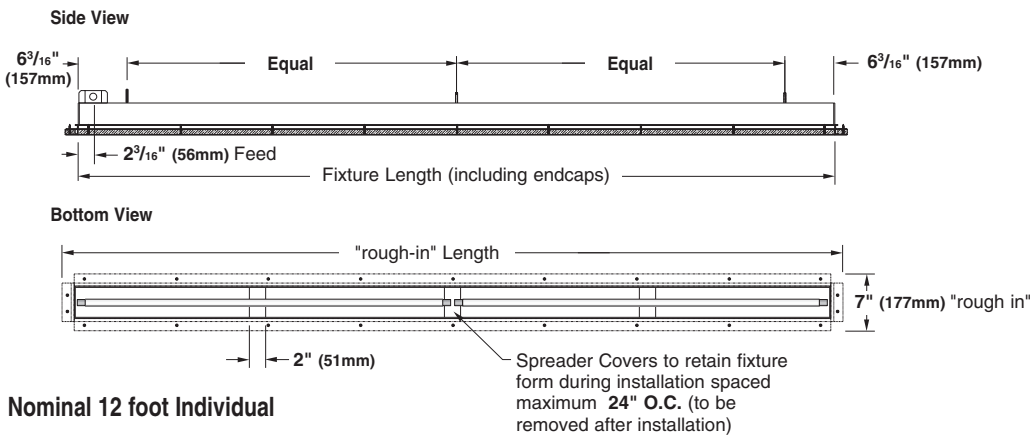
M10 Spackle Flange Layout Dimensions

Nominal 4 foot Individual

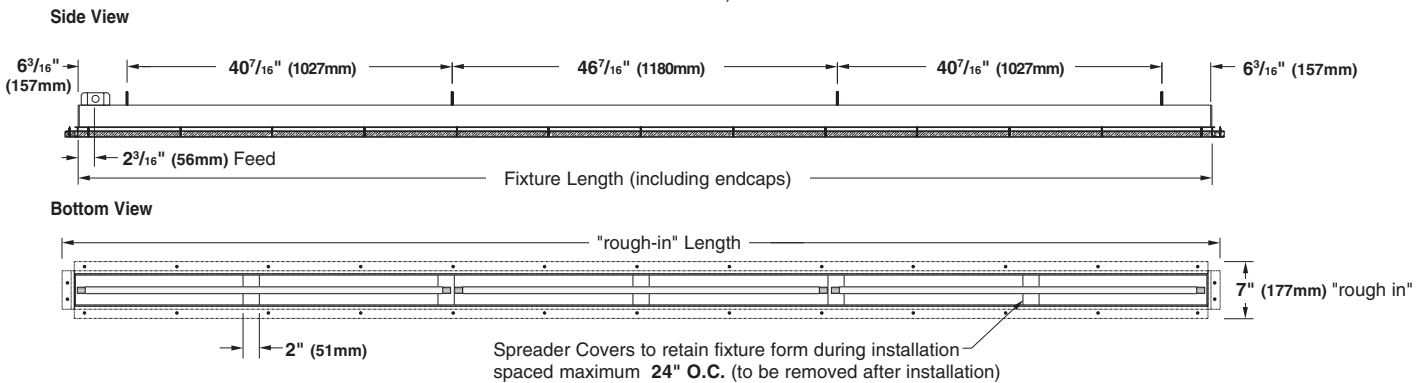
Typical End View (all lengths)



Nominal 8 foot Individual



Nominal 12 foot Individual



Fixture supplied with 7/8 knockout located 2³/₁₆" from end in top of fixture.

	T5 (1 or 2 lamp)		T8 (1 lamp)	
	M10-xT5-xx-SFx		M10-1T8-xx-SFx	
	Fixture Length	"Rough-in" Length	Fixture Housing	"Rough-in" Length
4 foot individual	46.81" (1189mm)	49.81" (1265mm)	48.37" (1229mm)	51.37" (1305mm)
8 foot individual	93.21" (2368mm)	96.21" (2444mm)	96.41" (2449mm)	99.41" (2525mm)
12 foot individual	139.65" (3547mm)	142.65" (3623mm)	144.45" (3669mm)	147.45" (3745mm)

For other lengths, lampping, continuous runs or configurations please specify overall length (in feet), accessories desired and sketch/drawing of configuration. SELUX will detail project drawings upon order and supply submittal drawings for approval. Individual fixtures cannot be field joined. If you have any questions, contact SELUX customer service or applications engineering for assistance (1-800-SELUX-CS).

M100 Recessed Linear Fluorescent Spackle Flange - STAGGERED LAMPS



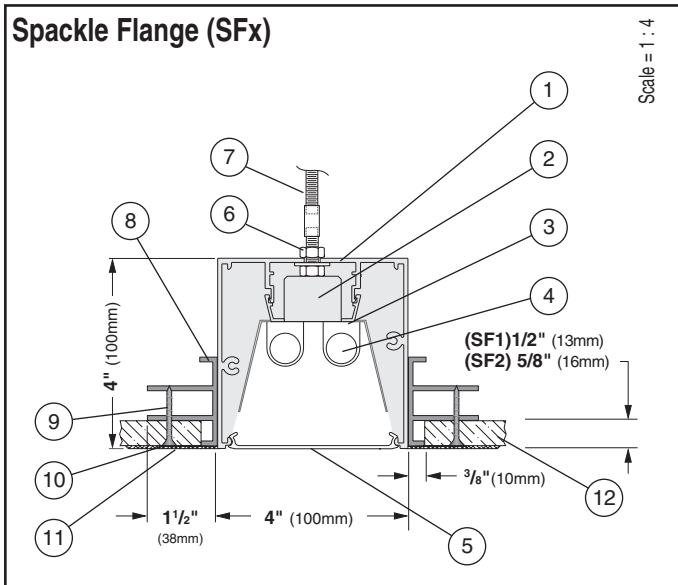
Project: _____ **Type:** _____ **Qty:** _____

M10S	-	-	-	-	-	-	-
Fixture Series	Lamp Type	Shielding	Mounting	Nominal Length	Finish	Voltage	
-	-	-	-	-	-	-	-

Options (refer to separate data sheets for ordering codes and details)

Fixture Series	Lamp Type	Shielding	Mounting	Nominal Length	Finish	Voltage	Options
M10S M100 Recessed Multi-Mount Form Staggered Lamps	1T5 F28T5	OD Extra Diffuse Lens	SF1 Spackle Flange (1/2" dry wall)	008 8 foot	WH White	120	(qty.) EM Stand-by Battery Pack ¹ (prefix quantity, i.e. - 5EM) FS Single Fusing DM Dimming ¹ (specify system) DMA Digital Addressable Dimming ¹ FW Flex Whip (standard) FW1 Flex Whip (dimming) Track Eutrac Standard ² DL Suitable for Damp Locations CCEA Chicago Plenum Downlights (See MR16 spec sheets, pp.98-99)
	1T5HO F54T5HO	SD Satine Lens		012 12 foot	BK Black	277	
	2T5 (2x)F28/T5		SF2 Spackle Flange (5/8" dry wall)	For actual lengths see following page. For other lengths, configurations indicate nominal length rounded to the next highest foot. Factory will supply layout drawings. Individual fixtures cannot be field joined.		SV Silver	
					SP Specify RAL#		

¹Must be low profile ballasts (1 1/2" W x 1 3/16" H); consult factory for details. ²Consult factory for details.



- Housing** - Continuous, 6063-T5 extruded aluminum profile up to 16 feet long. Joined with Connector Plus Joining System for ease of installation and to assure a uniform appearance.
 - Ballast** - Electronic, high power factor, class "P", type "A" sound rating. Specify 120v, 277v, or 347v. Ballast is factory pre-wired with leads to one end of fixture. Consult factory for ballast options.
 - Gear Tray** - Die formed gear tray with integral factory preset sliding covers to fill extrusion with light, with a matt white finish for even illumination. Geartray installs as complete electrical unit and is held in place with knurled dress nuts. It is fully accessible from below ceiling.
 - Lamps** - As noted (by others). Other lamp lengths or wattages available, consult factory.
 - Shielding** - Choose between **OD** Extra Diffuse Lens and **SD** Satine Lens. See page 8 for more details.
 - Pre-installed 1" 1/4-20 Stud** - Attached to fixture every nominal 4 feet. Coupling and threaded rod Supplied and installed by others.
 - Coupling and Threaded Rod to Structure** - Supplied and installed by others.
 - Spackle Flange** - For 1/2" (SF1) or 5/8" (SF2) thick sheet rock, installed at factory.
 - Dry Wall Screw** - Supplied and installed by others.
 - Fiberglass Sheetrock Tape** - Supplied and installed by others.
 - Plaster Skimcoat 1/16"** - Supplied and installed by others.
 - Plaster board** - Supplied and installed by others. For 1/4" thick specify SF1; for 5/8" thick specify SF2.
- Interior Luminaire Finish** - Standard interior colors are White (WH), Black (BK) and Silver (SV). RAL colors (SP) are available, please specify RAL#.

SELUX Corp. © 2006
 TEL: (845) 691-7723
 FAX: (845) 691-6749
 www.selux.com/USA
 M10S_SF-01 (v5.0)



Union Made Affiliated
 with IBEW Local 363

In a continuing effort to offer the best product possible, we reserve the right to change, without notice, specifications or materials that in our opinion will not alter the function of the product. Specification sheets found at www.selux.com/usa are the most recent versions and supercede all other printed or electronic versions.

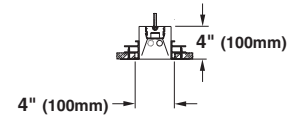
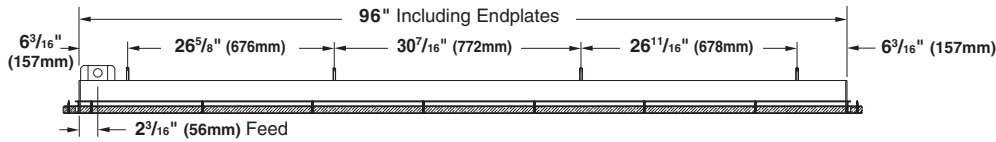
M10S (Single Staggered Lamps) Spackle Flange Layout Dimensions

For T5 lamps only, for other lamping consult factory.

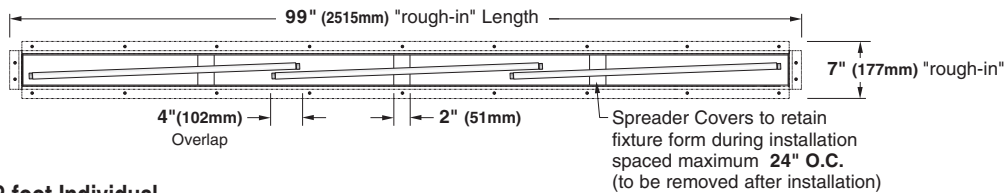
8 foot Individual

Typical End View (all lengths)

Side View

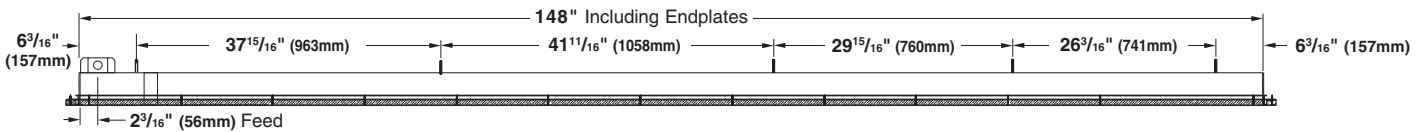


Bottom View

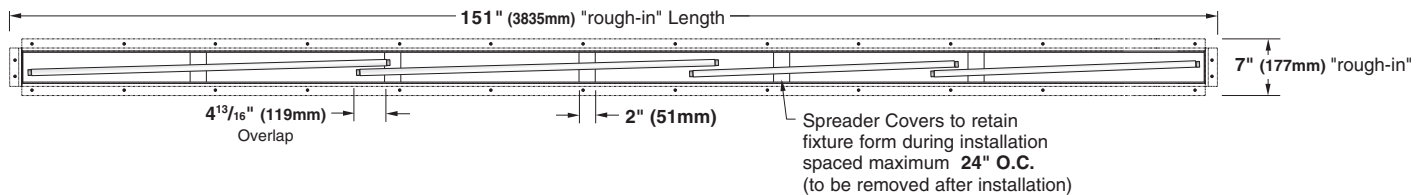


12 foot Individual

Side View



Bottom View



Fixture supplied with 7/8 knockout located 2 3/16 inch from end in top of fixture.

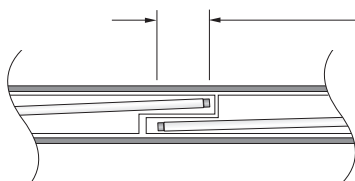
See chart on page 6 for optimal custom lengths under 18 ft. Any length over 18 ft. possible, see below.

For other lengths, lamping, continuous runs or configurations please specify overall length (in feet), accessories desired and sketch/drawing of configuration. SELUX will detail project drawings upon order and supply submittal drawings for approval. Individual fixtures cannot be field joined. If you have any questions please contact SELUX customer service or applications engineering for assistance (1-800-SELUX-CS).

M10S Spackle Flange (Double Staggered Lamps) Layout Dimensions -

Factory will provide submittal drawings. See chart on page 7 for lengths under 22 ft.

Staggered Lamps Principle



Lamps are spaced with 4" to 6" overlap to completely illuminate luminaire and eliminate socket shadows. Factory will supply approval drawings for other lengths using combinations of 21W & 28W T5 lamps or 39W & 54W T5HO lamps.

Minimal socket shadows may be visible at certain angles. Refer to page 8 for more information.

M100 Tannenbaum Recessed Linear Fluorescent Flanged Extrusion



Project: _____ **Type:** _____ **Qty:** _____

Fixture Series	Lamp Type	Shielding	Mounting	Mounting Option	Nominal Length	Finish	Voltage

Options (refer to separate data sheets for ordering codes and details)

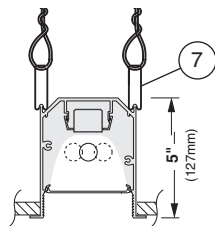
Fixture Series	Lamp Type	Shielding	Mounting	Nominal Length	Finish	Voltage	Options
M1N1 M100 Tannenbaum Continuous Flange (Flanged Extrusion/Flanged Endcaps)	1T5 F28T5	SA Specular Parabolic	SH Suspension Clips	004 4 foot	WH White	120	TB Lengths to Fit 2' Grid T-Bar Ceiling System ¹ (qty)EM Stand-by Battery Pack ² (prefix quantity, i.e. - 5EM) FS Single Fusing DM Dimming ² (specify system) DMA Digital Addressable Dimming ² SI Satine Acrylic Inlay ⁴ FW Flex Whip (standard) FW1 Flex Whip (dimming) DL Suitable for Damp Locations CCEA Chicago Plenum Downlights (See MR16 spec sheets, pp.98-99)
	2T5 (2x)F28/T5	MA Matte Parabolic	TS 1" Studs (factory installed)	008 8 foot	BK Black	277	
	1T5HO F54T5HO	MP Silky Specular Parabolic	RC Rotating Crossbars	012 12 foot	SV Silver	347	
M1N2 M100 Tannenbaum Flush End (Flanged Extrusion/Flangeless Endcaps)	1T8 F032/T8	PL Matte Perforated Parabolic	PM Perimeter Mount	For actual lengths see following page. For other lengths, configurations indicate nominal length rounded to the next highest foot. Factory will supply layout drawings. Individual fixtures cannot be field joined.	SP Specify RAL#		
		SD Satine Lens					
		OD Extra Diffuse Lens					
		X None					

¹T5 & T5HO lamps only, consult factory for other lamps. ²Must be low profile ballasts (1 1/2" W x 1 3/8" H); consult factory for details. ³Consult factory for details. ⁴SA, MA, MP & PL shieldings only.

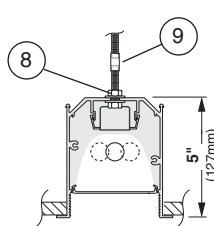
Mounting Diagrams

Scale = 1 : 8

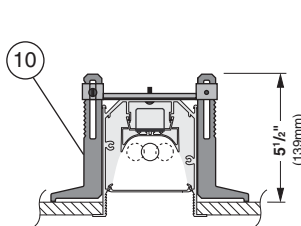
Suspension Clips (SH)



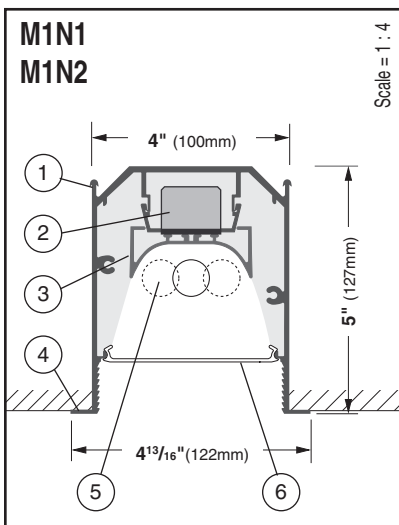
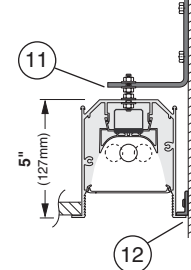
Pre-installed Rod (TS)



Rotating Crossbars (RC)



Perimeter Mount (PM)



1. Housing - Continuous, 6063-T5 extruded aluminum profile up to 16 feet long. Joined with Connector Plus Joining System for ease of installation and to assure a uniform appearance.

2. Ballast - Electronic, high power factor, class "P", type "A" sound rating. Specify 120v, 277v, or 347v. Ballast is factory pre-wired with leads to one end of fixture. Consult factory for ballast options.

3. Gear Tray - Extruded aluminum, with white painted finish. Gear tray installed as a complete electrical unit and is held in place with knurled dress nuts. It is fully accessible from below ceiling.

4. Flange - 1/2" (12mm) wide flange runs full lengths of both sides and is part of the main extruded body. Specify continuous flange (M1N1) or flush end (M1N2).

5. Lamps - As noted (by others). Other lamp lengths or wattages available, consult factory.

6. Shielding - Louvers offer excellent glare control in longitudinal, lateral, and all diagonal planes. High quality aluminum louvers and acrylic shielding allow true freedom of layout for today's modern spaces.

7. Spring Steel Suspension Clips - Supplied two places, located nominally every 4 ft. Support wires supplied and installed by others.

8. Pre-installed 1" 1/4-20 Stud - Attached to fixture every nominal 4 feet. Coupling and threaded rod Supplied and installed by others.

9. Coupling and Threaded Rod to Structure - Supplied and installed by others.

10. Rotating Crossbar - For inaccessible ceilings, adjustable for ceiling thicknesses from 1/4" to 2". Support required nominally every 4'.

11. Steel Wall Bracket and 1/4-20 Rod - Supplied nominally every 4 ft. (Fasteners to wall and wall anchors by others)

12. Aluminum Wallbracket - Secured to wall (fasteners and wall anchors by others) and runs entire length of fixture. Also supplied for width of fixtures when supplied with continuous flange. Allows for 1/8" gap between flange and wall to create shadow line allowing for unevenness of wall.

Interior Luminaire Finish - Standard interior colors are White (WH), Black (BK) and Silver (SV). RAL colors (SP) are available, please specify RAL#.

SELUX Corp. © 2006
TEL: (845) 691-7723
FAX: (845) 691-6749
www.selux.com/usa
M1N1-01 (v5.0)



Union Made Affiliated
with IBEW Local 363

In a continuing effort to offer the best product possible, we reserve the right to change, without notice, specifications or materials that in our opinion will not alter the function of the product. Specification sheets found at www.selux.com/usa are the most recent versions and supercede all other printed or electronic versions.

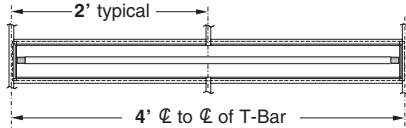
M1N1 and M1N2 Layout Dimensions

Specify T5 lamps when using in grid ceiling systems where 24" or 48" light openings are required.

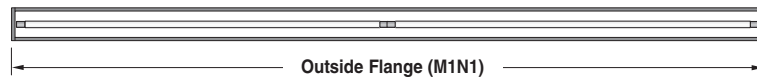
M1N1 Recessed - nominal 4 foot individual



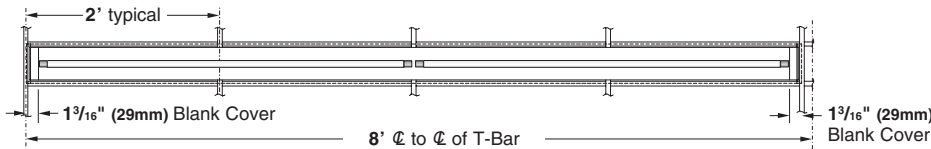
M1N1 Recessed - T-Bar Length - nominal 4 foot individual



M1N1 Recessed - nominal 8 foot individual



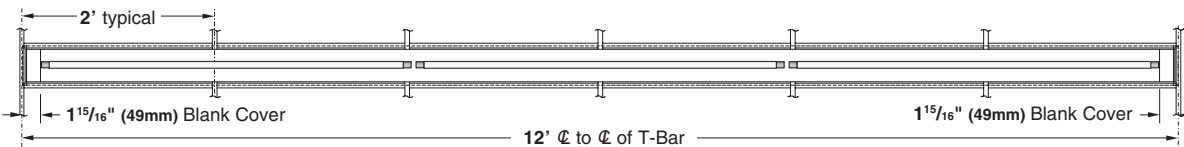
M1N1 Recessed - T-Bar Length - nominal 8 foot individual



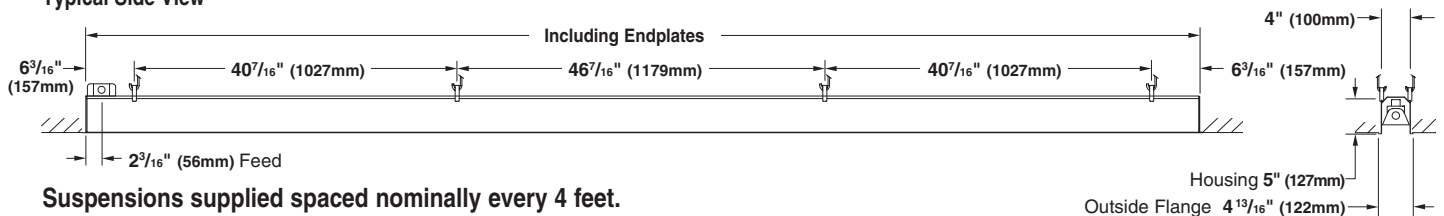
M1N1 Recessed - nominal 12 foot individual



M1N1 Recessed - T-Bar Length - nominal 12 foot individual



Typical Side View



Suspensions supplied spaced nominally every 4 feet.

Fixture supplied with 7/8 knockout located 2³/₁₆" from end in top of fixture.

	T5 (1 or 2 lamp)				T8 (1 lamp)	
	M1N1/M1R2 Including Endplates	M1N1 Outside Flange	M1N1/M1N2 - TB Including Endplates	M1N1 - TB Outside Flange	M1N1/M1R2 Including Endplates	M1N1 Outside Flange
4 foot individual	46.81" (1186mm)	47.58" (1209mm)	47.03" (1195mm)	47.91" (1216mm)	48.33" (1228mm)	49.20" (1250mm)
8 foot individual	93.21" (2365mm)	94.00" (2388mm)	95.03" (2414mm)	95.91" (2436mm)	96.37" (2448mm)	97.24" (2470mm)
12 foot individual	139.65" (3544mm)	140.41" (3567mm)	143.03" (3633mm)	143.91" (3655mm)	144.41" (3668mm)	145.28" (3690mm)

For other lengths, lamping, continuous runs or configurations please specify overall length (in feet), accessories desired and sketch/drawing of configuration. SELUX will detail project drawings upon order and supply submittal drawings for approval. Individual fixtures cannot be field joined. If you have any questions please contact SELUX customer service or applications engineering for assistance (1-800-SELUX-CS).

M100 Tannenbaum Recessed Linear Fluorescent Flanged Extrusion - STAGGERED LAMPS



Project: _____ **Type:** _____ **Qty:** _____

Fixture Series	Lamp Type	Shielding	Mounting	Mounting Option	Nominal Length	Finish	Voltage
----------------	-----------	-----------	----------	-----------------	----------------	--------	---------

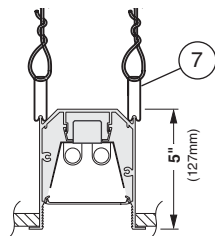
Options (refer to separate data sheets for ordering codes and details)

Fixture Series	Lamp Type	Shielding	Mounting	Nominal Length	Finish	Voltage	Options
M1N1S M100 Tannenbaum Continuous Flange (Flanged Extrusion/Flanged Endcaps) Staggered Lamps M1N2S M100 Tannenbaum Flanged Extrusion/Flush End (Flanged Extrusion/Flangeless Endcaps) Staggered Lamps	1T5 F28T5 1T5HO F54T5HO 2T5 (2x)F28/T5	OD Extra Diffuse Lens SD Satine Lens	SH Suspension Clips TS 1" Studs (factory installed) RC Rotating Crossbars PM Perimeter Mount	008 8 foot 012 12 foot For actual lengths see following page. For other lengths, configurations indicate nominal length rounded to the next highest foot. Factory will supply layout drawings. Individual fixtures cannot be field joined.	WH White BK Black SV Silver SP Specify RAL#	120 277 347	TB Lengths to Fit 2' Grid ¹ T-Bar Ceiling System (qty.)EM Stand-by Battery Pack ² (prefix quantity, i.e. - 5EM) FS Single Fusing DM Dimming ² (specify system) DMA Digital Addressable Dimming ² FW Flex Whip (standard) FW1 Flex Whip (dimming) DL Suitable for Damp Locations CCEA Chicago Plenum Downlights (See MR16 spec sheets, pp.98-99)
	¹ Available with M1N1S only. ² Must be low profile ballasts (1 1/2" W x 1 3/16" H); consult factory for details. ³ Consult factory for details.						

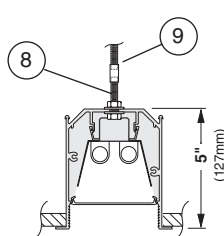
Mounting Diagrams

Scale = 1 : 8

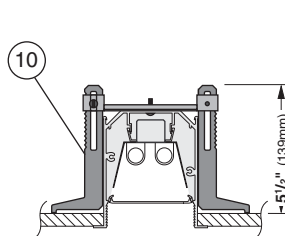
Suspension Clips (SH)



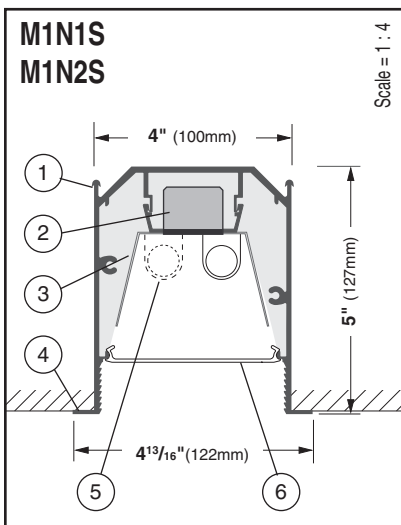
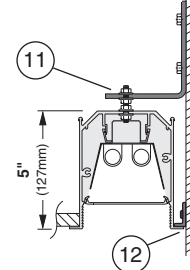
Pre-installed Rod (TS)



Rotating Crossbars (RC)



Perimeter Mount (PM)



1. Housing - Continuous, 6063-T5 extruded aluminum profile up to 16 feet long. Joined with Connector Plus Joining System for ease of installation and to assure a uniform appearance.

2. Ballast - Electronic, high power factor, class "P", type "A" sound rating. Specify 120v, 277v, or 347v. Ballast is factory pre-wired with leads to one end of fixture. Consult factory for ballast options.

3. Gear Tray - Die formed gear tray with integral factory preset sliding covers to fill extrusion with light, with a matt white finish for even illumination. Geartray installs as complete electrical unit and is held in place with knurled dress nuts. It is fully accessible from below ceiling.

4. Flange - 1/2" (12mm) wide flange runs full lengths of both sides and is part of the main extruded body. Specify continu-

ous flange (M1N1S) or flangeless endcaps (M1N2S).

5. Lamps - As noted (by others). Other lamp lengths or wattages available, consult factory.

6. Shielding - Choose between **OD** Extra Diffuse Lens and **SD** Satine Lens. See page 8 for more details.

7. Spring Steel Suspension Clips - Supplied two places, located nominally every 4 ft. Support wires supplied and installed by others.

8. Pre-installed 1" 1/4-20 Stud - Attached to fixture every nominal 4 feet. Coupling and threaded rod Supplied and installed by others.

9. Coupling and Threaded Rod to Structure - Supplied and installed by others.

10. Rotating Crossbar - For inaccessible ceilings, adjustable for ceiling thicknesses from 1/4" to 2". Support required nominally every 4'.

11. Steel Wall Bracket and 1/4-20 Rod - Supplied nominally every 4 ft. (Fasteners to wall and wall anchors by others)

12. Aluminum Wallbracket - Secured to wall (fasteners and wall anchors by others) and runs entire length of fixture. Also supplied for width of fixtures when supplied with continuous flange. Allows for 1/8" gap between flange and wall to create shadow line allowing for unevenness of wall.

Interior Luminaire Finish - Standard interior colors are White (WH), Black (BK) and Silver (SV). RAL colors (SP) are available, please specify RAL#.

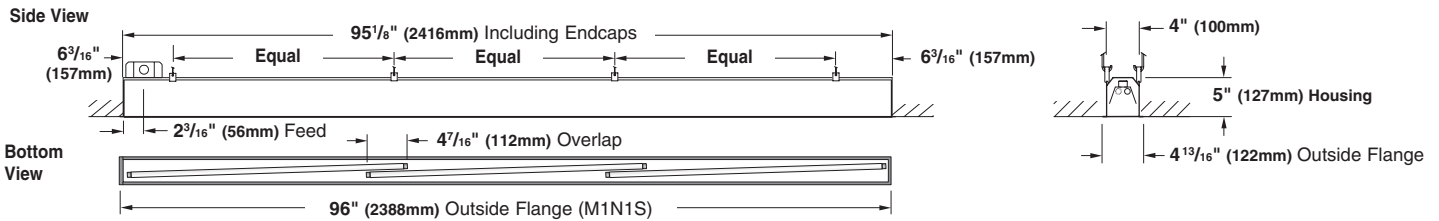
SELUX Corp. © 2006
 TEL: (845) 691-7723
 FAX: (845) 691-6749
 www.selux.com/usa
 M1N1S-01 (v5.0)



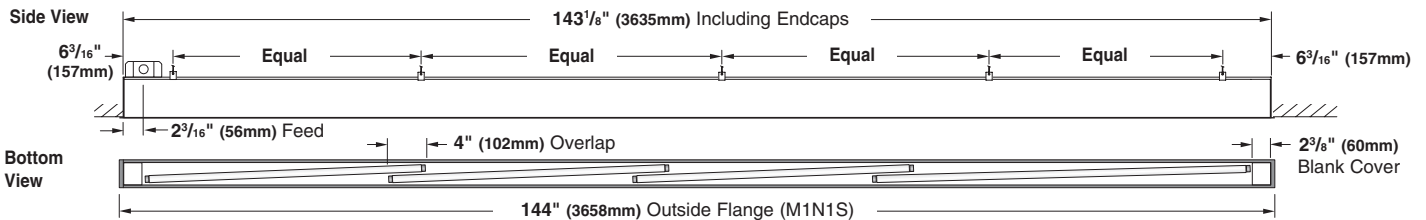
In a continuing effort to offer the best product possible, we reserve the right to change, without notice, specifications or materials that in our opinion will not alter the function of the product. Specification sheets found at www.selux.com/usa are the most recent versions and supercede all other printed or electronic versions.

M1N1S/M1N2S (Single Staggered Lamps) Standard Layout Dimensions

Nominal 8 foot Individual

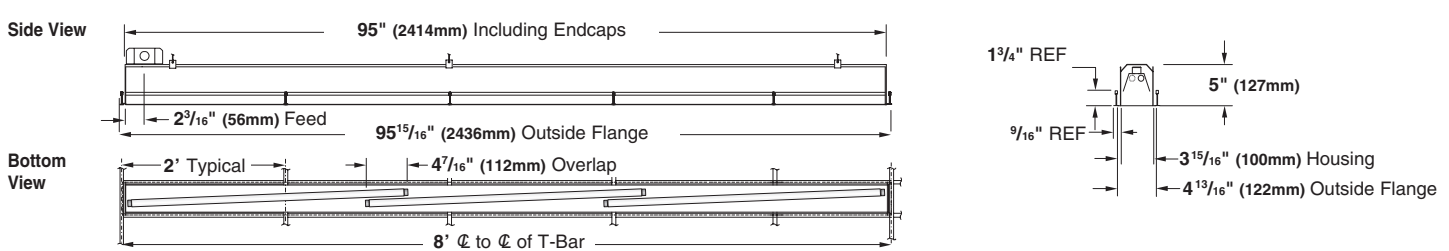


Nominal 12 foot Individual

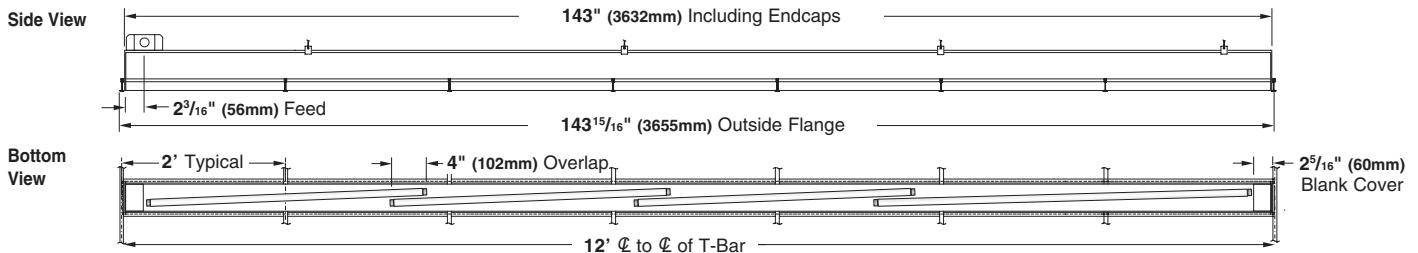


M1N1S (Single Staggered Lamps) T-Bar Layout Dimensions (option - TB)

Nominal 8 foot Individual



Nominal 12 foot Individual



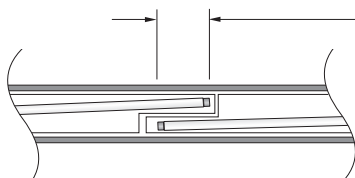
Suspensions supplied spaced nominally every 4 feet. Fixture supplied with 7/8 knockout located 2 3/16" from end in top of fixture. See chart on page 6 for optimal custom lengths under 18 ft. Any length over 18 ft. possible, see below.

For other lengths, lamping, continuous runs or configurations please specify overall length (in feet), accessories desired and sketch/drawing of configuration. SELUX will detail project drawings upon order and supply submittal drawings for approval. Individual fixtures cannot be field joined. If you have any questions please contact SELUX customer service or applications engineering for assistance (1-800-SELUX-CS).

M1N1S/M1N2S (Double Staggered Lamps) Layout Dimensions -

Factory will provide submittal drawings. See chart on page 7 for lengths under 22 ft.

Staggered Lamps Principle



Lamps are spaced with 4" to 6" overlap to completely illuminate luminaire and eliminate socket shadows. Factory will supply approval drawings for other lengths using combinations of 21W & 28W T5 lamps or 39W & 54W T5HO lamps.

Minimal socket shadows may be visible at certain angles. Refer to page 8 for more information.

M100 Tannenbaum Recessed Linear Fluorescent Slot Grid / Thick Ceiling Panel



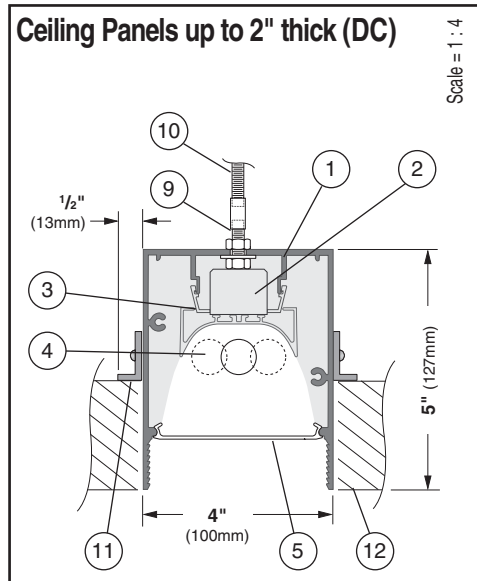
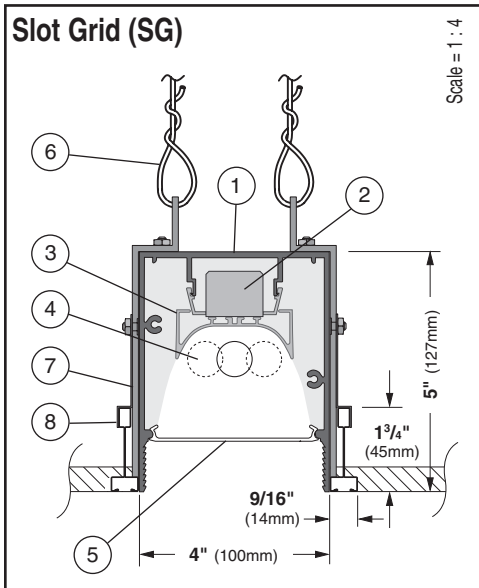
Project: _____ **Type:** _____ **Qty:** _____

M1N0	---	---	---	---	---	---
Fixture Series	Lamp Type	Shielding	Mounting	Nominal Length	Finish	Voltage
---	---	---	---	---	---	---

Options (refer to separate data sheets for ordering codes and details)

Fixture Series	Lamp Type	Shielding	Mounting	Nominal Length	Finish	Voltage	Options
M1N0 M100 Tannenbaum Multi-Mount Form	1T5 F28T5	SA Specular Parabolic	SG Slot Grid ¹	004 4 foot	WH White	120	(qty.) EM Stand-by Battery Pack ² (prefix quantity, i.e. - 5EM)
	2T5 (2x)F28/T5	MA Matte Parabolic	DC Ceiling Panels up to 2" thick (lengths per submittal drawings)	008 8 foot	BK Black	277	FS Single Fusing
	1T5HO F54T5HO	MP Silky Specular Parabolic		012 12 foot	SV Silver	347	DM Dimming ¹ (specify system)
	1T8 F032/T8	PL Matte Perforated Parabolic		For actual lengths see following page. For other lengths, configurations indicate nominal length rounded to the next highest foot. Factory will supply layout drawings. Individual fixtures cannot be field joined.	SP Specify RAL#		DMA Digital Addressable Dimming ¹
		SD Satine Lens OD Extra Diffuse Lens X None					SI Satine Acrylic Inlay ⁴ FW Flex Whip (standard) FW1 Flex Whip (dimming) DL Suitable for Damp Locations CCEA Chicago Plenum Downlights (See MR16 spec sheets, pp.98-99)

¹T5 & T5HO lamps only, consult factory for other lamps. ²Must be low profile ballasts (1 1/2" W x 1 3/16" H); consult factory for details. ³Consult factory for details. ⁴SA, MA, MP & PL shieldings only.



1. Housing - Continuous, 6063-T5 extruded aluminum profile up to 16 feet long. Joined with Connector Plus Joining System for ease of installation and to assure a uniform appearance.

2. Ballast - Electronic, high power factor, class "P", type "A" sound rating. Specify 120v, 277v, or 347v. Ballast is factory pre-wired with leads to one end of fixture. Consult factory for ballast options.

3. Gear Tray - Extruded aluminum, with white painted finish. Gear tray installed as a complete electrical unit and is held in place with knurled dress nuts. It is fully accessible from below ceiling.

4. Lamps - As noted (by others). Other lamp lengths or wattages available, consult factory.

5. Shielding - Louvers offer excellent glare control in longitudinal, lateral, and all diagonal planes. High quality aluminum louvers and acrylic shielding allow true freedom of layout for today's modern spaces.

6. Support Wire to Structure - Supplied and installed by others.

7. Support Bracket - Supplied nominally every four feet.

8. Slot Grid Beam and Cross Tees - Supplied and installed by others.

9. Pre-installed 1" 1/4-20 Stud - Attached to fixture every nominal 4 feet. Coupling and threaded rod Supplied and installed by others.

10. Coupling and Threaded Rod to Structure - Supplied and installed by others.

11. Aluminum Angle Brackets - Run entire length of fixture to block view into plenum area from below fixture.

12. Ceiling Panels up to 2" Thick - Supplied and installed by others. Suitable for Decoustic[®] ceiling panel installations. Other ceiling systems possible, please consult factory. Decoustic[®] is a registered trademark of Decoustics Ltd. Corporation.

SELUX Corp. © 2006
TEL: (845) 691-7723
FAX: (845) 691-6749
www.selux.com/USA
M1N0_SG-01 (v5.0)



Union Made Affiliated
with IBEW Local 363

In a continuing effort to offer the best product possible, we reserve the right to change, without notice, specifications or materials that in our opinion will not alter the function of the product. Specification sheets found at www.selux.com/usa are the most recent versions and supercede all other printed or electronic versions.

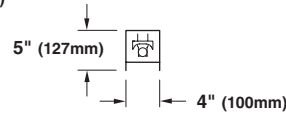
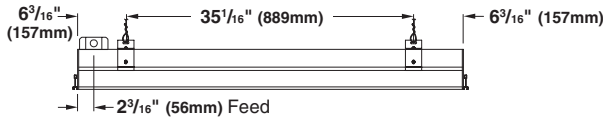
M1N0 Slot Grid Layout Dimensions

For T5 lamps only, for other lampping consult factory.

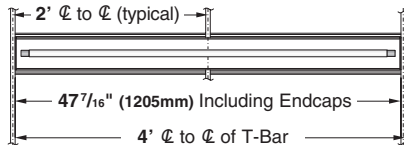
Nominal 4 foot Individual

Typical End View (all lengths)

Side View

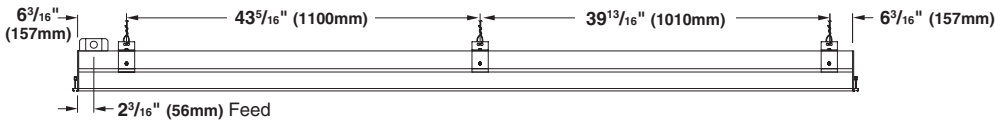


Bottom View

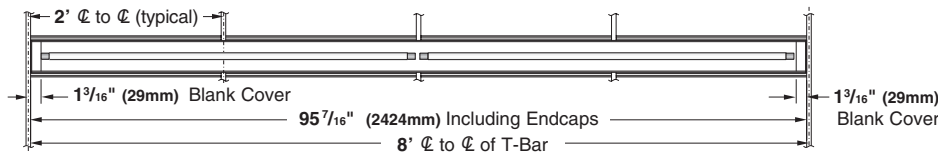


Nominal 8 foot Individual

Side View

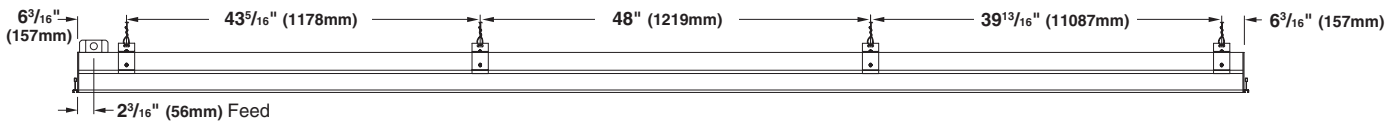


Bottom View

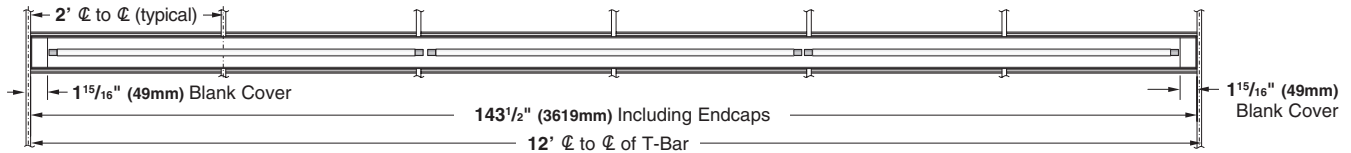


Nominal 12 foot Individual

Side View



Bottom View



Fixture supplied with 7/8 knockout located 2 3/16" from end in top of fixture.

For other lengths, lampping, continuous runs or configurations please specify overall length (in feet), accessories desired and sketch/drawing of configuration. SELUX will detail project drawings upon order and supply submittal drawings for approval. Individual fixtures cannot be field joined. If you have any questions please contact SELUX customer service or applications engineering for assistance (1-800-SELUX-CS).

M100 Tannenbaum Recessed Linear Fluorescent Slot Grid / Thick Ceiling Panel - STAGGERED LAMPS





Project: _____ **Type:** _____ **Qty:** _____

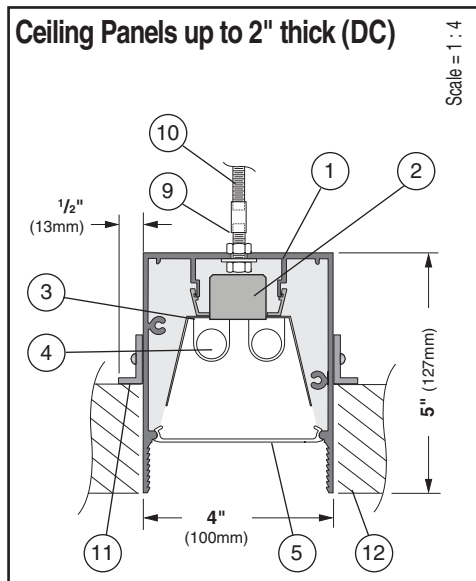
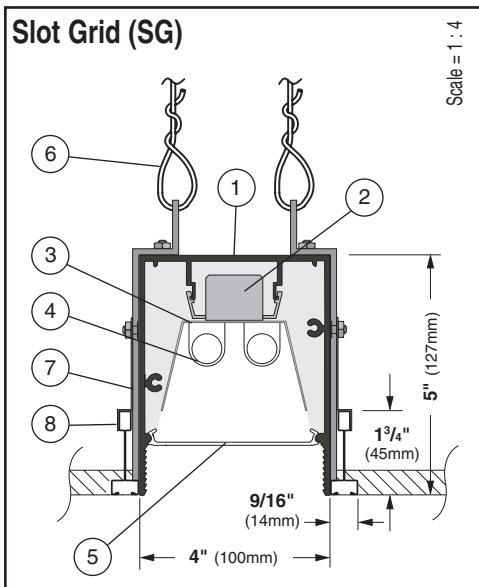
M1NOS _____

Fixture Series	Lamp Type	Shielding	Mounting	Nominal Length	Finish	Voltage
_____	_____	_____	_____	_____	_____	_____

Options (refer to separate data sheets for ordering codes and details)

Fixture Series	Lamp Type	Shielding	Mounting	Nominal Length	Finish	Voltage	Options
M1NOS M100 Tannenbaum Multi-Mount Form Staggered Lamps	1T5 F28T5 1T5HO F54T5HO 	SD Satine Lens OD Extra Diffuse Lens	SG Slot Grid DC Ceiling Panels up to 2" thick (lengths per submittal drawings)	008 8 foot 012 12 foot For actual lengths see following page. For other lengths, configurations indicate nominal length rounded to the next highest foot. Factory will supply layout drawings. Individual fixtures cannot be field joined.	WH White BK Black SV Silver SP Specify RAL#	120 277 347	(qty.) EM Stand-by Battery Pack ¹ (prefix quantity, i.e. - 5EM) FS Single Fusing DM Dimming ¹ (specify system) DMA Digital Addressable Dimming ¹ FW Flex Whip (standard) FW1 Flex Whip (dimming) DL Suitable for Damp Locations CCEA Chicago Plenum Downlights (See MR16 spec sheets, pp.98-99)
	2T5 (2x)F28/T5 						

¹Must be low profile ballasts (1 1/2" W x 1 3/16" H); consult factory for details. ²Consult factory for details.



1. Housing - Continuous, 6063-T5 extruded aluminum profile up to 16 feet long. Joined with Connector Plus Joining System for ease of installation and to assure a uniform appearance.

2. Ballast - Electronic, high power factor, class "P", type "A" sound rating. Specify 120v, 277v, or 347v. Ballast is factory pre-wired with leads to one end of fixture. Consult factory for ballast options.

3. Gear Tray - Die formed gear tray with integral factory preset sliding covers to fill extrusion with light, with a matt white finish for even illumination. Geartray installs as complete electrical unit and is held in place with knurled dress nuts. It is fully accessible from below ceiling.

4. Lamps - As noted (by others). Other lamp lengths or wattages available, consult factory.

5. Shielding - Choose between **OD** Extra Diffuse Lens and **SD** Satine Lens. See page 8 for more details.

6. Support Wire to Structure - Supplied and installed by others.

7. Support Bracket - Supplied nominally every four feet.

8. Slot Grid Beam and Cross Tees - Supplied and installed by others.

9. Pre-installed 1" 1/4-20 Stud - Attached to fixture every nominal 4 feet. Coupling and threaded rod Supplied and installed by others.

10. Coupling and Threaded Rod to Structure - Supplied and installed by others.

11. Aluminum Angle Brackets - Run entire length of fixture to block view into plenum area from below fixture.

12. Ceiling Panels up to 2" Thick - Supplied and installed by others. Suitable for Decoustic[®] ceiling panel installations. Other ceiling systems possible, please consult factory. Decoustic[®] is a registered trademark of Decoustics Ltd. Corporation.

Interior Luminaire Finish - Standard interior colors are White (WH), Black (BK) and Silver (SV). RAL colors (SP) are available, please specify RAL#.

SELUX Corp. © 2006
 TEL: (845) 691-7723
 FAX: (845) 691-6749
 www.selux.com/USA
 M1NOS_SG-01 (v5.0)



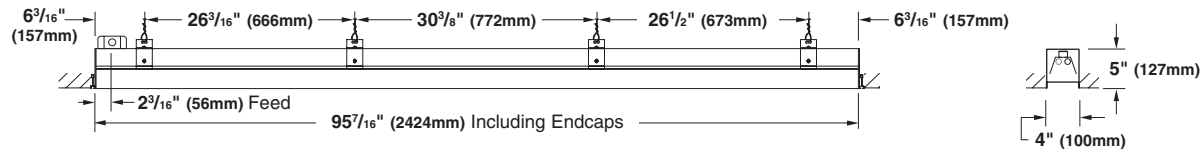
Union Made Affiliated
 with IBEW Local 363

In a continuing effort to offer the best product possible, we reserve the right to change, without notice, specifications or materials that in our opinion will not alter the function of the product. Specification sheets found at www.selux.com/usa are the most recent versions and supercede all other printed or electronic versions.

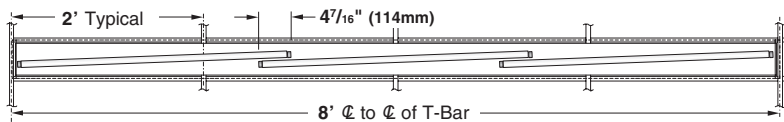
M1N0S (Single Staggered Lamps) Slot Grid Layout Dimensions

Nominal 8 foot Individual

Side View

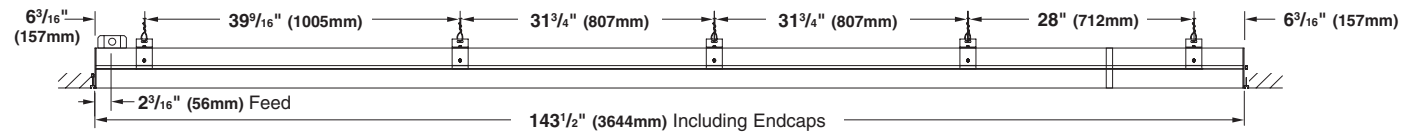


Bottom View

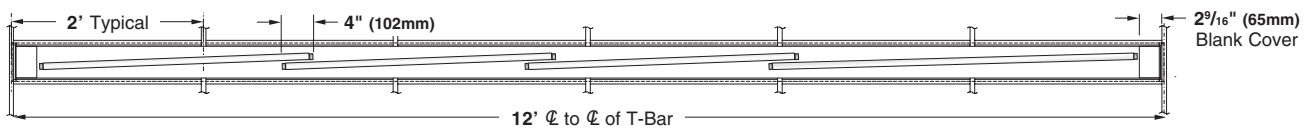


Nominal 12 foot Individual

Side View



Bottom View



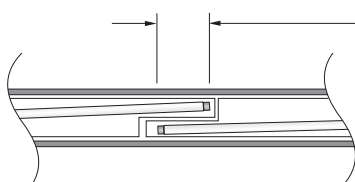
Fixture supplied with 7/8 knockout located 2 3/16" from end in top of fixture.

For other lengths, lamping, continuous runs or configurations please specify overall length (in feet), accessories desired and sketch/drawing of configuration. SELUX will detail project drawings upon order and supply submittal drawings for approval. Individual fixtures cannot be field joined. If you have any questions please contact SELUX customer service or applications engineering for assistance (1-800-SELUX-CS).

M1N0S Slot Grid (Double Staggered Lamps) Layout Dimensions -

Factory will provide submittal drawings. See chart on page 7 for lengths under 22 ft.

Staggered Lamps Principle



Lamps are spaced with 4" to 6" overlap to completely illuminate luminaire and practically eliminate socket shadows. Factory will supply approval drawings for other lengths using combinations of 21W & 28W T5 lamps or 39W & 54W T5HO lamps.

Minimal socket shadows may be visible at certain angles. Refer to page 8 for more information.

M100 Tannenbaum Recessed Linear Fluorescent Spackle Flange



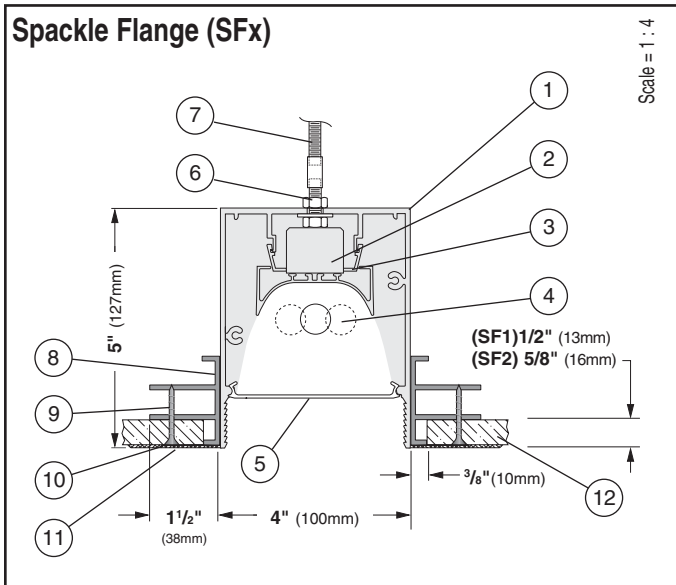
Project: _____ **Type:** _____ **Qty:** _____

M1N0	-	-	-	-	-	-	-
Fixture Series	Lamp Type	Shielding	Mounting	Nominal Length	Finish	Voltage	
-	-	-	-	-	-	-	-

Options (refer to separate data sheets for ordering codes and details)

Fixture Series	Lamp Type	Shielding	Mounting	Nominal Length	Finish	Voltage	Options
M1N0 M100 Tannenbaum Multi-Mount Form	1T5 F28T5	SA Specular Parabolic	SF1 Spackle Flange (1/2" dry wall)	004 4 foot	WH White	120	<i>(qty.)</i> EM Stand-by Battery Pack ¹ (prefix quantity, i.e. - 5EM) FS Single Fusing DM Dimming ¹ (specify system) DMA Digital Addressable Dimming ¹ SI Satine Acrylic Inlay ³ FW Flex Whip (standard) FW1 Flex Whip (dimming) DL Suitable for Damp Locations CCEA Chicago Plenum Downlights (See MR16 spec sheets, pp.98-99)
	2T5 (2x)F28/T5	MA Matte Parabolic		008 8 foot	BK Black	277	
	1T5HO F54T5HO	MP Silky Specular Parabolic	SF2 Spackle Flange (5/8" dry wall)	012 12 foot	SV Silver	347	
	1T8 F032/T8	PL Matte Perforated Parabolic		For actual lengths see following page. For other lengths, configurations indicate nominal length rounded to the next highest foot. Factory will supply layout drawings. Individual fixtures cannot be field joined.	SP Specify RAL#		
		SD Satine Lens OD Extra Diffuse Lens X None					

¹Must be low profile ballasts (1 1/2" W x 1 3/16" H); consult factory for details. ²Consult factory for details. ³SA, MA, MP & PL shieldings only.



- Housing** - Continuous, 6063-T5 extruded aluminum profile up to 16 feet long. Joined with Connector Plus Joining System for ease of installation and to assure a uniform appearance.
 - Ballast** - Electronic, high power factor, class "P", type "A" sound rating. Specify 120v, 277v, or 347v. Ballast is factory pre-wired with leads to one end of fixture. Consult factory for ballast options.
 - Gear Tray** - Extruded aluminum, with white painted finish. Gear tray installed as a complete electrical unit and is held in place with knurled dress nuts. It is fully accessible from below ceiling.
 - Lamps** - As noted (by others). Other lamp lengths or wattages available, consult factory.
 - Shielding** - Louvers offer excellent glare control in longitudinal, lateral, and all diagonal planes. High quality aluminum louvers and acrylic shielding allow true freedom of layout for today's modern spaces.
 - Pre-installed 1" 1/4-20 Stud** - Attached to fixture every nominal 4 feet. Coupling and threaded rod Supplied and installed by others.
 - Coupling and Threaded Rod to Structure** - Supplied and installed by others.
 - Spackle Flange** - For 1/2" (SF1) or 5/8" (SF2) thick sheet rock, installed at factory.
 - Dry Wall Screw** - Supplied and installed by others.
 - Fiberglass Sheetrock Tape** - Supplied and installed by others.
 - Plaster Skimcoat 1/16"** - Supplied and installed by others.
 - Plaster Board** - Supplied and installed by others. For 1/4" thick specify SF1; for 5/8" thick specify SF2.
- Interior Luminaire Finish** - Standard interior colors are White (WH), Black (BK) and Silver (SV). RAL colors (SP) are available, please specify RAL#.

SELUX Corp. © 2006
 TEL: (845) 691-7723
 FAX: (845) 691-6749
 www.selux.com/USA
 M1N0_SF-01 (v5.0)



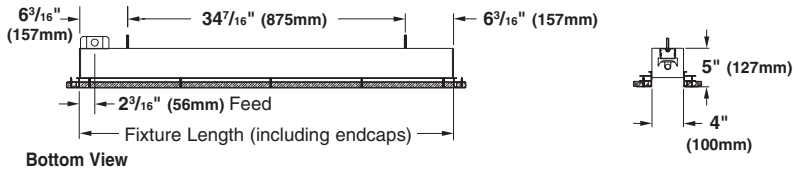
In a continuing effort to offer the best product possible, we reserve the right to change, without notice, specifications or materials that in our opinion will not alter the function of the product. Specification sheets found at www.selux.com/usa are the most recent versions and supercede all other printed or electronic versions.

M1N0 Spackle Flange Layout Dimensions

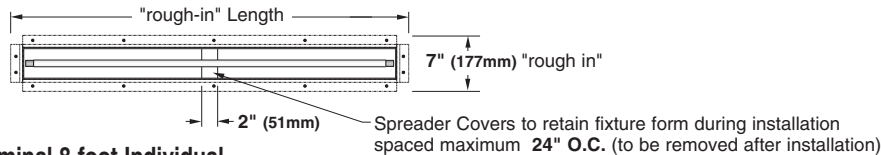
Nominal 4 foot Individual

Typical End View (all lengths)

Side View

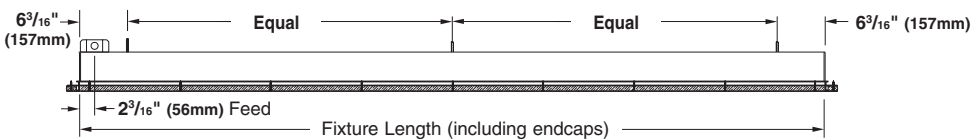


Bottom View

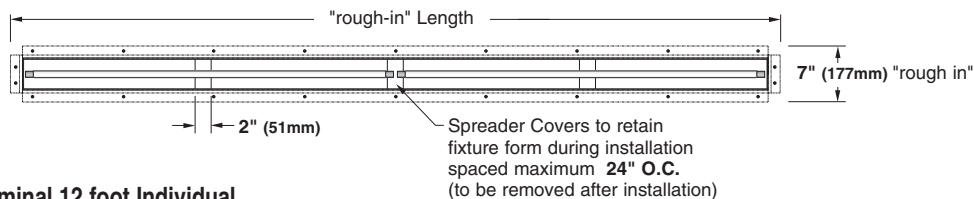


Nominal 8 foot Individual

Side View

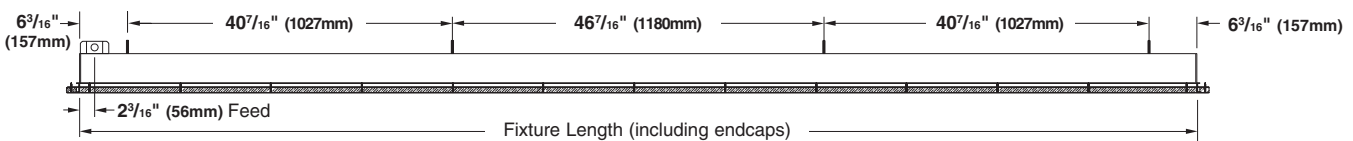


Bottom View

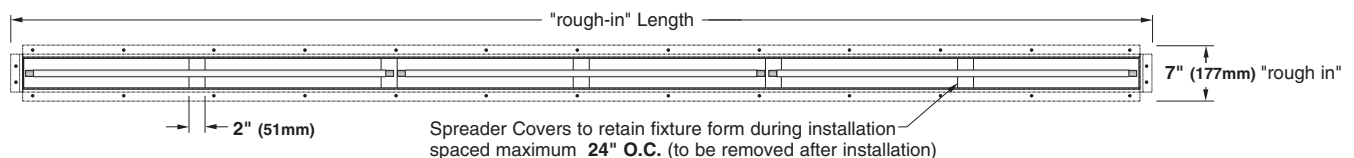


Nominal 12 foot Individual

Side View



Bottom View



Fixture supplied with 7/8 knockout located 2 3/16" from end in top of fixture.

	T5 (1 or 2 lamp)		T8 (1 lamp)	
	M1N0-xT5-xx-SFx		M1N0-1T8-xx-SFx	
	Fixture Length	"Rough-in" Length	Fixture Housing	"Rough-in" Length
4 foot individual	46.81" (1189mm)	49.81" (1265mm)	48.37" (1229mm)	51.37" (1305mm)
8 foot individual	93.21" (2368mm)	96.21" (2444mm)	96.41" (2449mm)	99.41" (2525mm)
12 foot individual	139.65" (3547mm)	142.65" (3623mm)	144.45" (3669mm)	147.45" (3745mm)

For other lengths, lampping, continuous runs or configurations please specify overall length (in feet), accessories desired and sketch/drawing of configuration. SELUX will detail project drawings upon order and supply submittal drawings for approval. Individual fixtures cannot be field joined. If you have any questions, contact SELUX customer service or applications engineering for assistance (1-800-SELUX-CS).

M100 Tannenbaum Recessed Linear Fluorescent Spackle Flange - STAGGERED LAMPS





Project: _____ **Type:** _____ **Qty:** _____

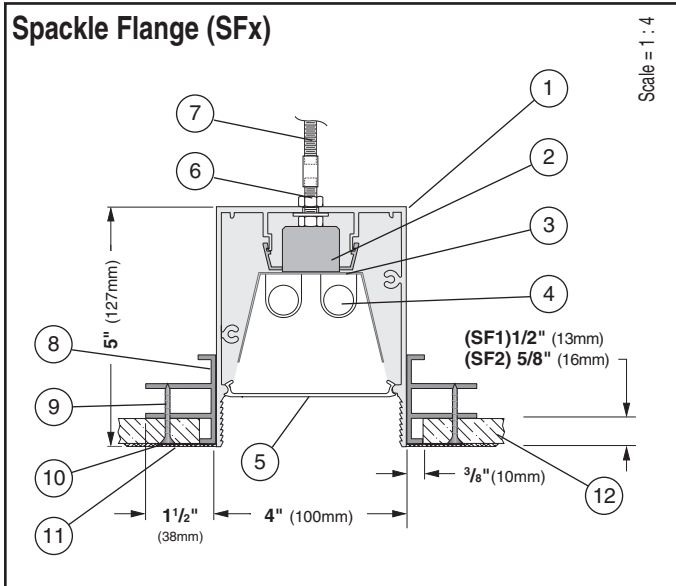
M1NOS - - - - -

Fixture Series	Lamp Type	Shielding	Mounting	Nominal Length	Finish	Voltage
-	-	-	-	-	-	-

Options (refer to separate data sheets for ordering codes and details)

Fixture Series	Lamp Type	Shielding	Mounting	Nominal Length	Finish	Voltage	Options	
M1NOS M100 Tannenbaum Multi-Mount Form Staggered Lamps	1T5 F28T5 1T5HO F54T5HO 	SD Satine Lens OD Extra Diffuse Lens	SF1 Spackle Flange (1/2" dry wall) SF2 Spackle Flange (5/8" dry wall)	008 8 foot 012 12 foot For actual lengths see following page. For other lengths, configurations indicate nominal length rounded to the next highest foot. Factory will supply layout drawings. Individual fixtures cannot be field joined.	WH White BK Black SV Silver SP Specify RAL#	120 277 347	(qty.) EM Stand-by Battery Pack ¹ (prefix quantity, i.e. - 5EM) FS Single Fusing DM Dimming ¹ (specify system) DMA Digital Addressable Dimming ¹ FW Flex Whip (standard) FW1 Flex Whip (dimming) DL Suitable for Damp Locations CCEA Chicago Plenum Downlights (See MR16 spec sheets, pp.98-99)	
	2T5 (2x)F28/T5 							

¹Must be low profile ballasts (1 1/2" W x 1 3/16" H); consult factory for details. ²Consult factory for details.



Scale = 1 : 4

- Housing** - Continuous, 6063-T5 extruded aluminum profile up to 16 feet long. Joined with Connector Plus Joining System for ease of installation and to assure a uniform appearance.
 - Ballast** - Electronic, high power factor, class "P", type "A" sound rating. Specify 120v, 277v, or 347v. Ballast is factory pre-wired with leads to one end of fixture. Consult factory for ballast options.
 - Gear Tray** - Die formed gear tray with integral factory preset sliding covers to fill extrusion with light, with a matt white finish for even illumination. Geartray installs as complete electrical unit and is held in place with knurled dress nuts. It is fully accessible from below ceiling.
 - Lamps** - As noted (by others). Other lamp lengths or wattages available, consult factory.
 - Shielding** - Choose between **OD** Extra Diffuse Lens and **SD** Satine Lens. See page 8 for more details.
 - Pre-installed 1" 1/4-20 Stud** - Attached to fixture every nominal 4 feet. Coupling and threaded rod Supplied and installed by others.
 - Coupling and Threaded Rod to Structure** - Supplied and installed by others.
 - Spackle Flange** - For 1/2" (SF1) or 5/8" (SF2) thick sheet rock, installed at factory.
 - Dry Wall Screw** - Supplied and installed by others.
 - Fiberglass Sheetrock Tape** - Supplied and installed by others.
 - Plaster Skimcoat 1/16"** - Supplied and installed by others.
 - Plaster Board** - Supplied and installed by others. For 1/4" thick specify SF1; for 5/8" thick specify SF2.
- Interior Luminaire Finish** - Standard interior colors are White (WH), Black (BK) and Silver (SV). RAL colors (SP) are available, please specify RAL#.

SELUX Corp. © 2006
 TEL: (845) 691-7723
 FAX: (845) 691-6749
 www.selux.com/USA
 M1NOS_SF-01 (v5.0)



Union Made Affiliated
 with IBEW Local 363

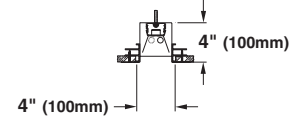
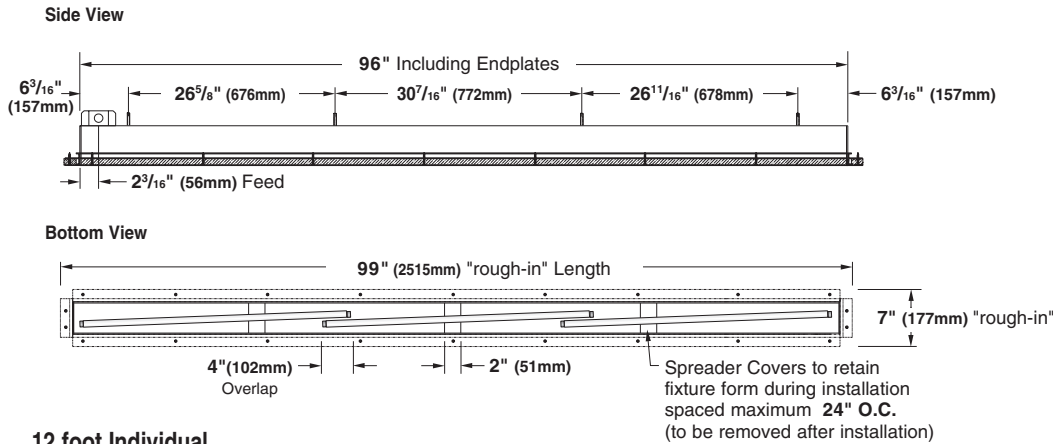
In a continuing effort to offer the best product possible, we reserve the right to change, without notice, specifications or materials that in our opinion will not alter the function of the product. Specification sheets found at www.selux.com/usa are the most recent versions and supercede all other printed or electronic versions.

M1N0S (Single Staggered Lamps) Spackle Flange Layout Dimensions

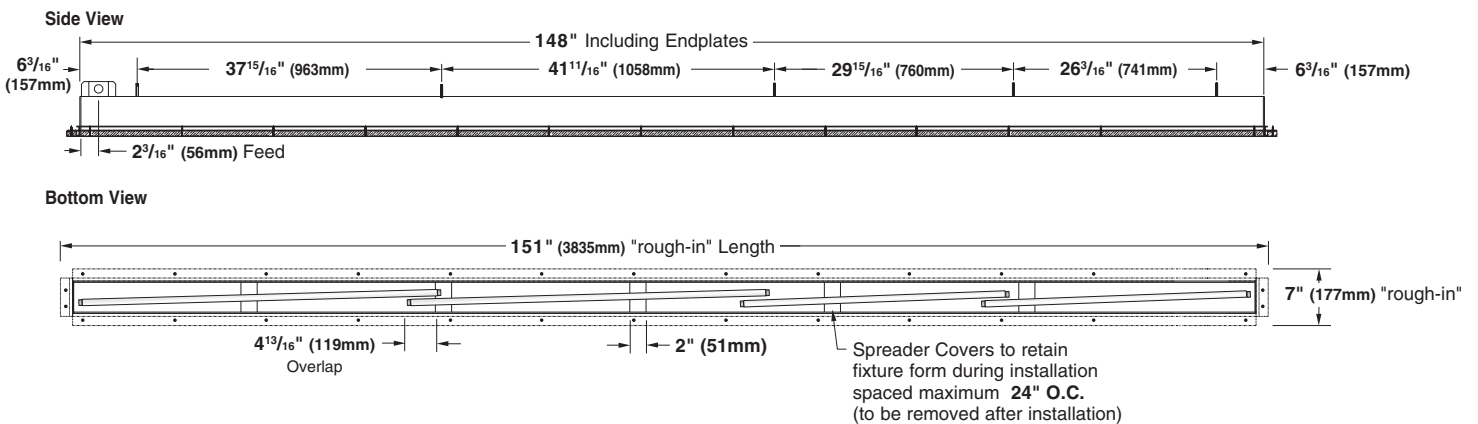
For T5 lamps only, for other lamping consult factory.

8 foot Individual

Typical End View (all lengths)



12 foot Individual



Fixture supplied with 7/8 knockout located 2³/₁₆" from end in top of fixture.

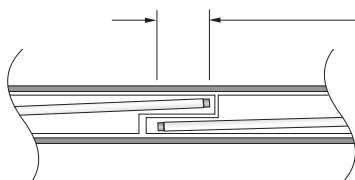
See chart on page 6 for optimal custom lengths under 18 ft. Any length over 18 ft. possible, see below.

For other lengths, lamping, continuous runs or configurations please specify overall length (in feet), accessories desired and sketch/drawing of configuration. SELUX will detail project drawings upon order and supply submittal drawings for approval. Individual fixtures cannot be field joined. If you have any questions please contact SELUX customer service or applications engineering for assistance (1-800-SELUX-CS).

M1N0S Spackle Flange (Double Staggered Lamps) Layout Dimensions -

Factory will provide submittal drawings. See chart on page 7 for lengths under 22 ft.

Staggered Lamps Principle



Lamps are spaced with 4" to 6" overlap to completely illuminate luminaire and practically eliminate socket shadows. Factory will supply approval drawings for other lengths using combinations of 21W & 28W T5 lamps or 39W & 54W T5HO lamps.

Minimal socket shadows may be visible at certain angles. Refer to page 8 for more information.

M100 Super Recessed Linear Fluorescent Flanged Extrusion



Project: _____ **Type:** _____ **Qty:** _____

Fixture Series	Lamp Type	Upper Shielding	Lower Shielding	Mounting	Nominal Length	Finish	Voltage

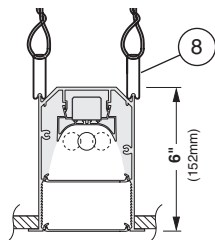
Options (refer to separate data sheets for ordering codes and details)

Fixture Series	Lamp Type	Upper / Lower Shielding	Mounting	Nominal Length	Finish	Voltage	Options
M1B1 M100 Super Recessed Continuous Flange (Flanged Extrusion/ Flanged Endcaps)	1T5 F28T5	SA Specular Parabolic	SH Suspension Clips	004 4 foot	WH White	120	TB Lengths to Fit 2' Grid T-Bar Ceiling System ¹ (qty)EM Stand-by Battery Pack ² (prefix quantity, i.e. - 5EM) FS Single Fusing DM Dimming ² (specify system) DMA Digital Addressable Dimming ² SI Satine Acrylic Inlay ⁴ FW Flex Whip (standard) FW1 Flex Whip (dimming) Track Eutrac Standard ³ DL Suitable for Damp Locations CCEA Chicago Plenum Downlights (See MR16 spec sheets, pp.98-99)
	2T5 (2x)F28/T5	MA Matte Parabolic	TS 1" Studs (factory installed)	008 8 foot	BK Black	277	
	1T5HO F54T5HO	MP Silky Specular Parabolic	RC Rotating Crossbars	012 12 foot	SV Silver	347	
M1B2 M100 Super Recessed Flush End (Flanged Extrusion/ Flangeless Endcaps)	1T8 F032/T8	PL Matte Perforated Parabolic	PM Perimeter Mount	For actual lengths see following page. For other lengths, configura- tions indicate nominal length rounded to the next highest foot. Factory will supply layout draw- ings. Individual fixtures cannot be field joined.			
		SD Satine Lens			SP Specify RAL#		
		OD Extra Diffuse Lens					
		X None					

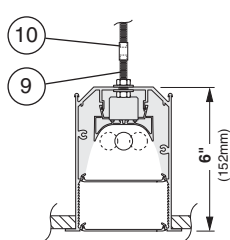
¹M1B1 w/ T5 & T5HO lamps only, consult factory for other lamps. ²Must be low profile ballasts (1 1/2" W x 1 3/16" H); consult factory for details. ³Consult factory for details. ⁴SA, MA, MP & PL shieldings only.

Mounting Diagrams

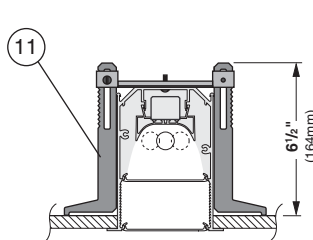
Suspension Clips (SH)



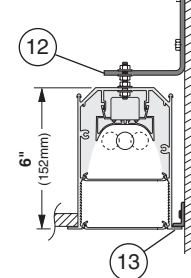
Pre-installed Rod (TS)



Rotating Crossbars (RC)



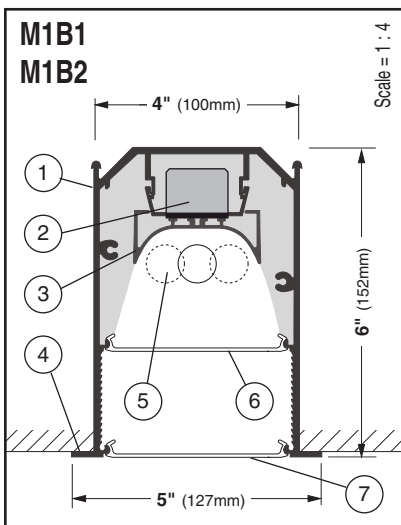
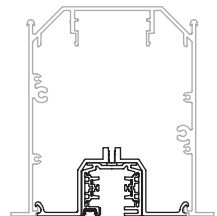
Perimeter Mount (PM)



Scale = 1 : 8

Track

Track insert including track available for all configurations, consult factory for details.



1. Housing - Continuous, 6063-T5 extruded aluminum profile up to 16 feet long. Joined with Connector Plus Joining System for ease of installation and to assure a uniform appearance.

2. Ballast - Electronic, high power factor, class "P", type "A" sound rating. Specify 120v, 277v, or 347v. Ballast is factory pre-wired with leads to one end of fixture. Consult factory for ballast options.

3. Gear Tray - Extruded aluminum, with white painted finish. Gear tray installed as a complete electrical unit and is held in place with knurled dress nuts. It is fully accessible from below ceiling.

4. Flange - 1/2" (12mm) wide flange runs full lengths of both sides and is part of the main extruded body. Specify continuous flange (M1B1) or flush end (M1B2).

5. Lamps - As noted (by others). Other lamp lengths or wattages available, consult factory.

6. Upper Shielding - Louvers offer excellent glare control in longitudinal, lateral, and all diagonal planes. High quality aluminum louvers and acrylic shielding allow true freedom of layout for today's modern spaces.

7. Lower Shielding - Same options as Upper Shielding #6.

8. Spring Steel Suspension Clips - Supplied two places, located nominally every 4 ft. Support wires supplied and installed by others.

9. Pre-installed 1" 1/4-20 Stud - Attached to fixture every nominal 4 feet.

10. Coupling and Threaded Rod to Structure - Supplied and installed by others.

11. Rotating Crossbar - For inaccessible ceilings, adjustable for ceiling thicknesses from 1/4" to 2". Support required nominally every 4 feet.

12. Steel Wall Bracket and 1/4-20 Rod - Supplied nominally every 4 ft. (Fasteners to wall and wall anchors by others)

13. Aluminum wallbracket - Secured to wall (fasteners and wall anchors by others) and runs entire length of fixture. Also supplied for width of fixtures when supplied with continuous flange. Allows for 1/8" gap between flange and wall to create shadow line allowing for unevenness of wall.

Interior Luminaire Finish - Standard interior colors are White (WH), Black (BK) and Silver (SV). RAL colors (SP) are available, please specify RAL#.

SELUX Corp. © 2006
 TEL: (845) 691-7723
 FAX: (845) 691-6749
 www.selux.com/usa
 M1B1-01 (v5.0)



Union Made Affiliated
 with IBEW Local 363

In a continuing effort to offer the best product possible, we reserve the right to change, without notice, specifications or materials that in our opinion will not alter the function of the product. Specification sheets found at www.selux.com/usa are the most recent versions and supercede all other printed or electronic versions.

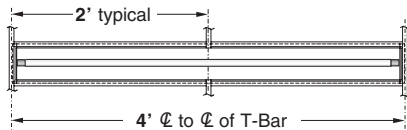
M1B1 and M1B2 Layout Dimensions

Specify T5 lamps when using in grid ceiling systems where 24" or 48" light openings are required.

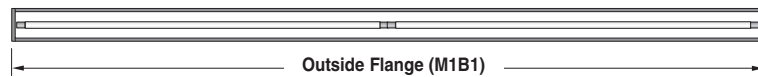
M1B1 Recessed - nominal 4 foot individual



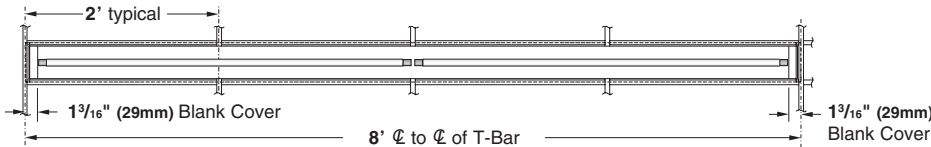
M1B1 Recessed - T-Bar Length - nominal 4 foot individual



M1B1 Recessed - nominal 8 foot individual



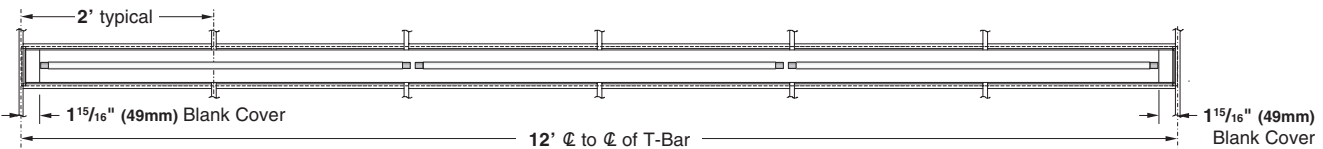
M1B1 Recessed - T-Bar Length - nominal 8 foot individual



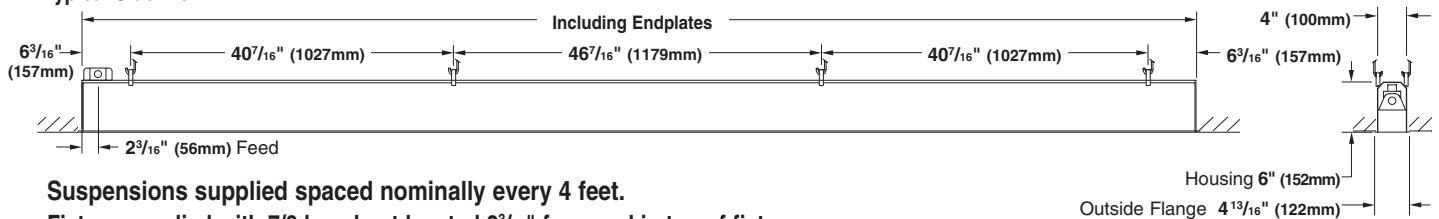
M1B1 Recessed - nominal 12 foot individual



M1B1 Recessed - T-Bar Length - nominal 12 foot individual



Typical Side View



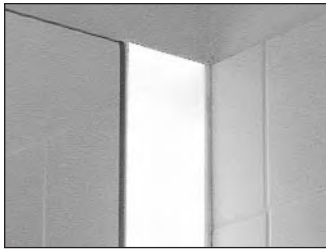
Suspensions supplied spaced nominally every 4 feet.

Fixture supplied with 7/8 knockout located 2³/₁₆" from end in top of fixture.

	T5 (1 or 2 lamp)				T8 (1 lamp)	
	M1B1/M1B2 Including Endplates	M1B1 Outside Flange	M1B1/M1B2 - TB Including Endplates	M1B1 - TB Outside Flange	M1B1/M1B2 Including Endplates	M1B1 Outside Flange
4 foot individual	46.81" (1186mm)	47.58" (1209mm)	47.03" (1195mm)	47.91" (1216mm)	48.33" (1228mm)	49.20" (1250mm)
8 foot individual	93.21" (2365mm)	94.00" (2388mm)	95.03" (2414mm)	95.91" (2436mm)	96.37" (2448mm)	97.24" (2470mm)
12 foot individual	139.65" (3544mm)	140.41" (3567mm)	143.03" (3633mm)	143.91" (3655mm)	144.41" (3668mm)	145.28" (3690mm)

For other lengths, lampping, continuous runs or configurations please specify overall length (in feet), accessories desired and sketch/drawing of configuration. SELUX will detail project drawings upon order and supply submittal drawings for approval. Individual fixtures cannot be field joined. If you have any questions please contact SELUX customer service or applications engineering for assistance (1-800-SELUX-CS).

M100 Super Recessed Linear Fluorescent Flanged Extrusion - STAGGERED LAMPS



Project: _____ **Type:** _____ **Qty:** _____

Fixture Series **Lamp Type** **Shielding** **Mounting** **Nominal Length** **Finish** **Voltage**

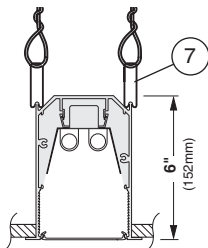
Options (refer to separate data sheets for ordering codes and details)

Fixture Series	Lamp Type	Lower Shielding	Mounting	Nominal Length	Finish	Voltage	Options
M1B1S M100 Super Recessed Continuous Flange (Flanged Extrusion/ Flanged Endcaps) Staggered Lamps	1T5 F28T5 1T5HO F54T5HO	SA Specular Parabolic MA Matte Parabolic MP Silky Specular Parabolic	SH Suspension Clips TS 1" Studs (factory installed) RC Rotating Crossbars PM Perimeter Mount	008 8 foot 012 12 foot For actual lengths see following page. For other lengths, configurations indicate nominal length rounded to the next highest foot. Factory will supply layout drawings. Individual fixtures cannot be field joined.	WH White BK Black SV Silver SP Specify RAL#	120 277 347	TB Lengths to Fit 2' Grid T-Bar Ceiling System (qty)EM Stand-by Battery Pack ¹ (prefix quantity, i.e. - 5EM) FS Single Fusing DM Dimming ¹ (specify system) DMA Digital Addressable Dimming ¹ FW Flex Whip (standard) FW1 Flex Whip (dimming) Track Eutrac Standard ² DL Suitable for Damp Locations CCEA Chicago Plenum Downlights (See MR16 spec sheets, pp.98-99)
	M1B2S M100 Super Recessed Flush End (Flanged Extrusion/ Flangeless Endcaps) Staggered Lamps	2T5 (2x)F28/T5	PL Matte Perforated Parabolic SD Satine Lens OD Extra Diffuse Lens				

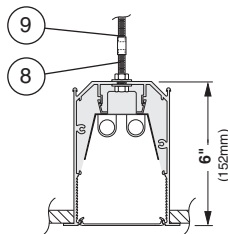
¹Must be low profile ballasts (1 1/2" W x 1 3/16" H); consult factory for details. ²Consult factory for details.

Mounting Diagrams

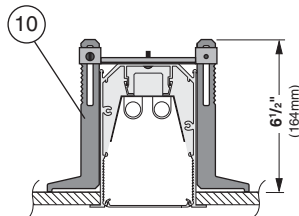
Suspension Clips (SH)



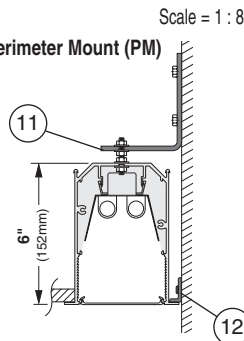
Pre-installed Rod (TS)



Rotating Crossbars (RC)

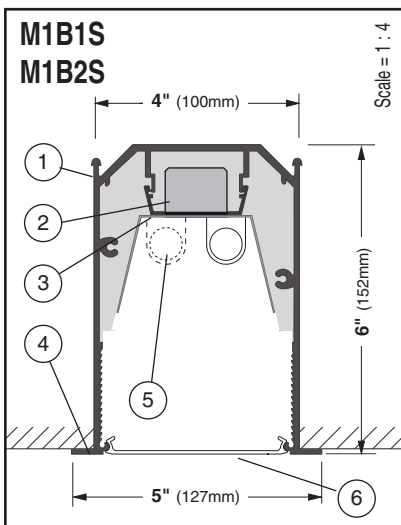
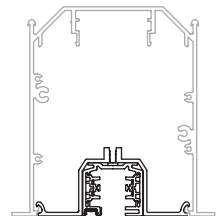


Perimeter Mount (PM)



Track

Track insert including track available for all configurations, consult factory for details.



1. Housing - Continuous, 6063-T5 extruded aluminum profile up to 16 feet long. Joined with Connector Plus Joining System for ease of installation and to assure a uniform appearance.

2. Ballast - Electronic, high power factor, class "P", type "A" sound rating. Specify 120v, 277v, or 347v. Ballast is factory pre-wired with leads to one end of fixture. Consult factory for ballast options.

3. Gear Tray - Die formed gear tray with integral factory preset sliding covers to fill extrusion with light, with a matt white finish for even illumination. Geartray installs as complete electrical unit and is held in place with knurled dress nuts. It is fully accessible from below ceiling.

4. Flange - 1/2" (12mm) wide flange runs full lengths of both sides and is part of the main extruded body. Specify continuous flange (M1B1S) or flush end (M1B2S).

5. Lamps - As noted (by others). Other lamp lengths or wattages available, consult factory.

6. Shielding - Louvers offer excellent glare control in longitudinal, lateral, and all diagonal planes. High quality aluminum louvers and acrylic shielding allow true freedom of layout for today's modern spaces. See page 8 for details.

7. Spring Steel Suspension Clips - Supplied two places, located nominally every 4 ft. Support wires supplied and installed by others.

8. Pre-installed 1" 1/4-20 Stud - Attached to fixture every nominal 4 feet.

9. Coupling and Threaded Rod to Structure - Supplied and installed by others.

10. Rotating Crossbar - For inaccessible ceilings, adjustable for ceiling thicknesses from 1/4" to 2". Support required nominally every 4 feet.

11. Steel Wall Bracket and 1/4-20 Rod - Supplied nominally every 4 ft. (Fasteners to wall and wall anchors by others)

12. Aluminum Wall Bracket - Secured to wall (fasteners and wall anchors by others) and runs entire length of fixture. Also supplied for width of fixtures when supplied with continuous flange. Allows for 1/8" gap between flange and wall to create shadow line allowing for unevenness of wall.

Interior Luminaire Finish - Standard interior colors are White (WH), Black (BK) and Silver (SV). RAL colors (SP) are available, please specify RAL#.

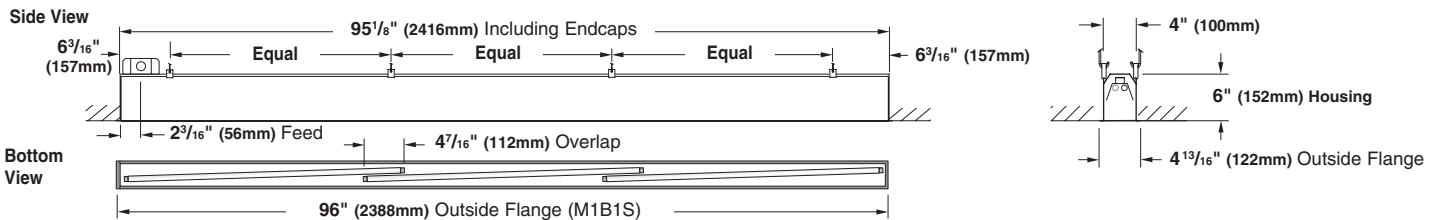
SELUX Corp. © 2006
 TEL: (845) 691-7723
 FAX: (845) 691-6749
 www.selux.com/usa
 M1B1S-01 (v5.0)



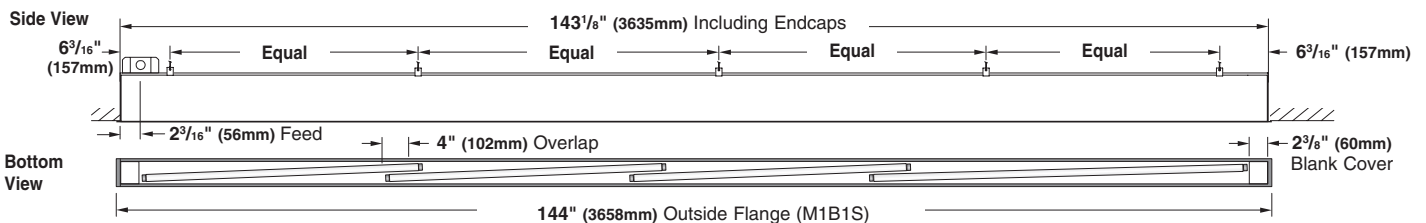
In a continuing effort to offer the best product possible, we reserve the right to change, without notice, specifications or materials that in our opinion will not alter the function of the product. Specification sheets found at www.selux.com/usa are the most recent versions and supercede all other printed or electronic versions.

M1B1S/M1B2S (Single Staggered Lamps) Standard Layout Dimensions

Nominal 8 foot Individual

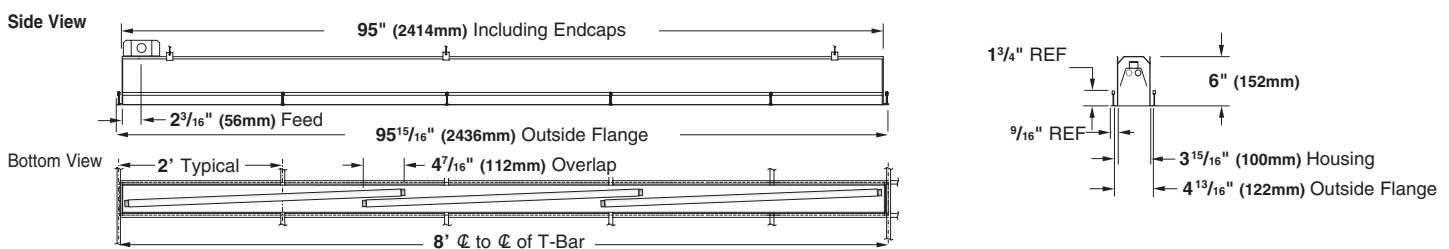


Nominal 12 foot Individual

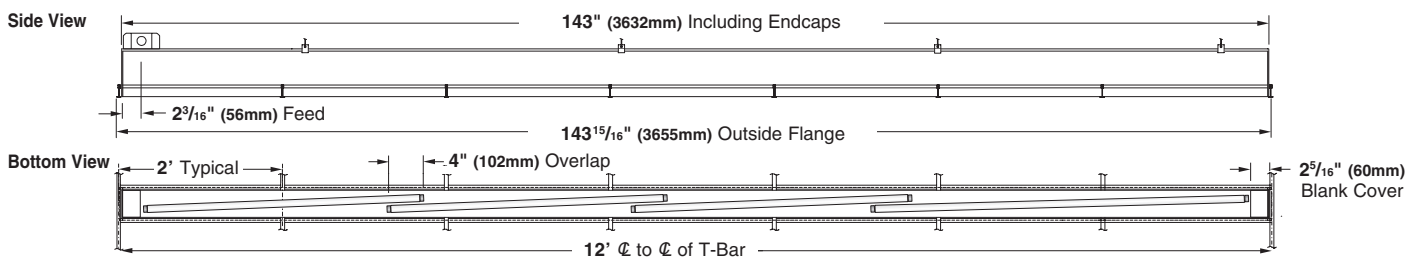


M1B1S (Single Staggered Lamps) T-Bar Layout Dimensions (option - TB)

Nominal 8 foot Individual



Nominal 12 foot Individual



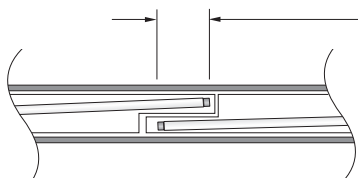
Suspensions supplied spaced nominally every 4 feet. Fixture supplied with 7/8 knockout located 2 3/16" from end in top of fixture. See chart on page 6 for optimal custom lengths under 18 ft. Any length over 18 ft. possible, see below.

For other lengths, lamping, continuous runs or configurations please specify overall length (in feet), accessories desired and sketch/drawing of configuration. SELUX will detail project drawings upon order and supply submittal drawings for approval. Individual fixtures cannot be field joined. If you have any questions please contact SELUX customer service or applications engineering for assistance (1-800-SELUX-CS).

M1B1S/M1B2S (Double Staggered Lamps) Layout Dimensions -

Factory will provide submittal drawings. See chart on page 7 for lengths under 22 ft.

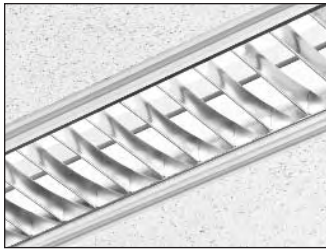
Staggered Lamps Principle



Lamps are spaced with 4" to 6" overlap to completely illuminate luminaire and eliminate socket shadows. Factory will supply approval drawings for other lengths using combinations of 21W & 28W T5 lamps or 39W & 54W T5HO lamps.

Minimal socket shadows may be visible at certain angles. Refer to page 8 for more information.

M100 Super Recessed Linear Fluorescent Slot Grid / Thick Ceiling Panel



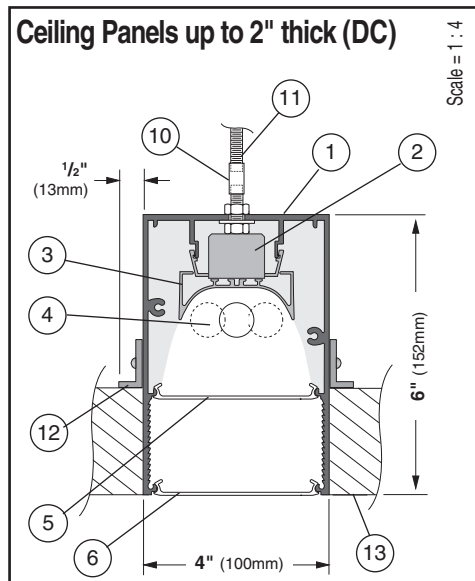
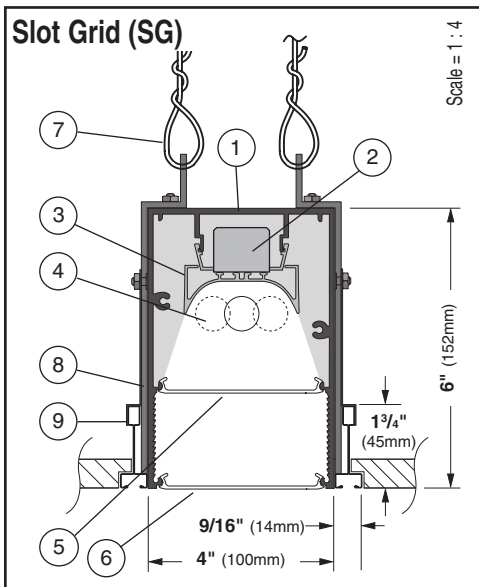
Project: _____ **Type:** _____ **Qty:** _____

M1B0	_____	_____	_____	_____	_____	_____	_____
Fixture Series	Lamp Type	Upper Shielding	Lower Shielding	Mounting	Nominal Length	Finish	Voltage

Options (refer to separate data sheets for ordering codes and details)

Fixture Series	Lamp Type	Shielding	Mounting	Nominal Length	Finish	Voltage	Options
M1B0 M100 Super Recessed Multi-Mount Form	1T5 F28T5	SA Specular Parabolic	SG Slot Grid ¹ DC Ceiling Panels up to 2" thick (lengths per submittal drawings)	004 4 foot	WH White	120 277 347	(qty.)EM Stand-by Battery Pack ² (prefix quantity, i.e. - 5EM) FS Single Fusing DM Dimming ² (specify system) DMA Digital Addressable Dimming ² SI Satine Acrylic Inlay ⁴ FW Flex Whip (standard) FW1 Flex Whip (dimming) Track Eutrac Standard ³ DL Suitable for Damp Locations CCEA Chicago Plenum Downlights (See MR16 spec sheets, pp.98-99)
	2T5 (2x)F28/T5	MA Matte Parabolic		008 8 foot	BK Black		
	1T5HO F54T5HO	MP Silky Specular Parabolic		012 12 foot	SV Silver		
	1T8 F032/T8	PL Matte Perforated Parabolic			SP Specify RAL#		
		SD Satine Lens OD Extra Diffuse Lens X None		For actual lengths see following page. For other lengths, configurations indicate nominal length rounded to the next highest foot. Factory will supply layout drawings. Individual fixtures cannot be field joined.			

¹T5 & T5HO lamps only, consult factory for other lamps. ²Must be low profile ballasts (1 1/2" W x 1 3/16" H); consult factory for details. ³Consult factory for details. ⁴SA, MA, MP & PL shieldings only.



1. Housing - Continuous, 6063-T5 extruded aluminum profile up to 16 feet long. Joined with Connector Plus Joining System for ease of installation and to assure a uniform appearance.

2. Ballast - Electronic, high power factor, class "P", type "A" sound rating. Specify 120v, 277v, or 347v. Ballast is factory pre-wired with leads to one end of fixture. Consult factory for ballast options.

3. Gear Tray - Extruded aluminum, with white painted finish. Gear tray installed as a complete electrical unit and is held in place with knurled dress nuts. It is fully accessible from below ceiling.

4. Lamps - As noted (by others). Other lamp lengths or wattages available, consult factory.

5. Upper Shielding - Louvers offer excellent glare control in longitudinal, lateral, and all diagonal planes. High quality aluminum louvers and acrylic shielding allow true freedom of layout for today's modern spaces.

6. Lower Shielding - Same options as Upper Shielding #5.

7. Support Wire to Structure - Supplied and installed by others.

8. Support bracket - Supplied nominally every four feet.

9. Slot Grid Beam and Cross Tees - Supplied and installed by others.

10. Pre-installed 1" 1/4-20 Stud - Attached to fixture every nominal 4 feet.

11. Coupling and Threaded Rod to Structure - Supplied and installed by others.

12. Aluminum Angle Brackets - Run entire length of fixture to block view into plenum area from below fixture.

13. Ceiling Panels up to 2" Thick - Supplied and installed by others. Suitable for Decoustic[®] ceiling panel installations. Other ceiling systems possible, please consult factory. Decoustic[®] is a registered trademark of Decoustics Ltd. Corporation.

Interior Luminaire Finish - Standard interior colors are White (WH), Black (BK) and Silver (SV). RAL colors (SP) are available, please specify RAL#.

SELUX Corp. © 2006
TEL: (845) 691-7723
FAX: (845) 691-6749
www.selux.com/USA
M1B0_SG-01 (v5.0)



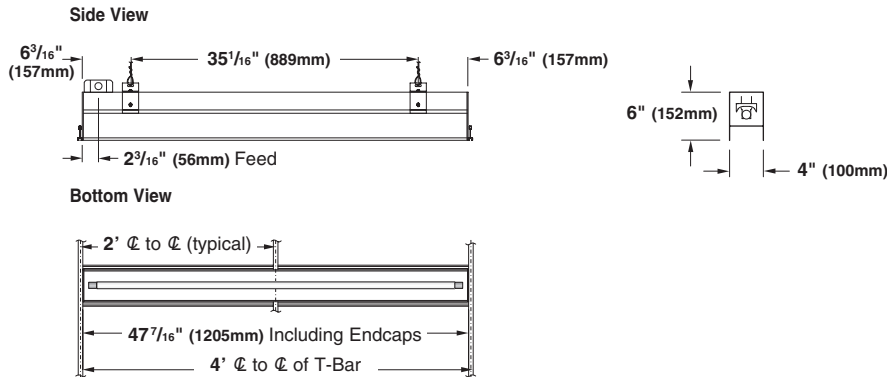
In a continuing effort to offer the best product possible, we reserve the right to change, without notice, specifications or materials that in our opinion will not alter the function of the product. Specification sheets found at www.selux.com/usa are the most recent versions and supercede all other printed or electronic versions.

M1B0 Slot Grid Layout Dimensions

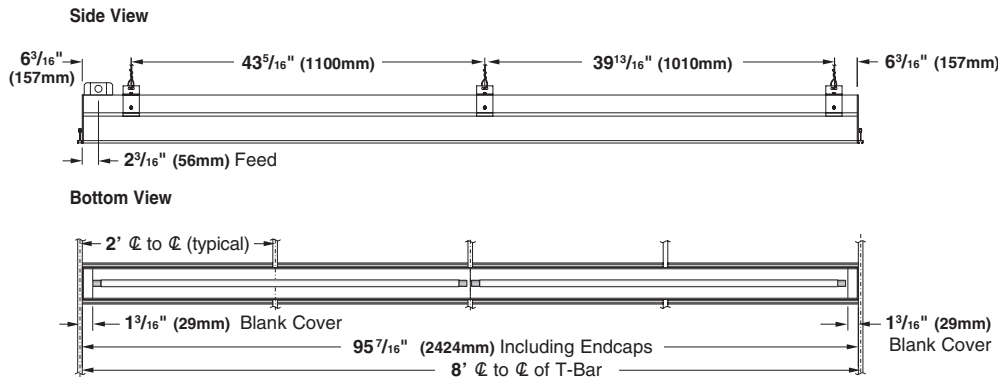
For T5 lamps only, for other lampping consult factory.

Nominal 4 foot Individual

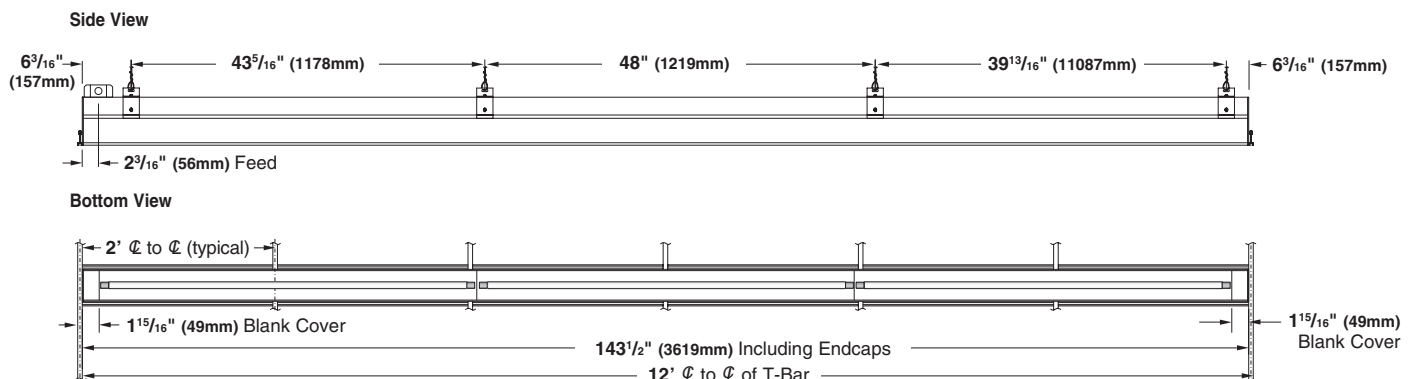
Typical End View (all lengths)



Nominal 8 foot Individual



Nominal 12 foot Individual



Fixture supplied with 7/8 knockout located 2³/₁₆" from end in top of fixture.

For other lengths, lampping, continuous runs or configurations please specify overall length (in feet), accessories desired and sketch/drawing of configuration. SELUX will detail project drawings upon order and supply submittal drawings for approval. Individual fixtures cannot be field joined. If you have any questions please contact SELUX customer service or applications engineering for assistance (1-800-SELUX-CS).



M100 Super Recessed Linear Fluorescent Slot Grid / Thick Ceiling Panel - STAGGERED LAMPS



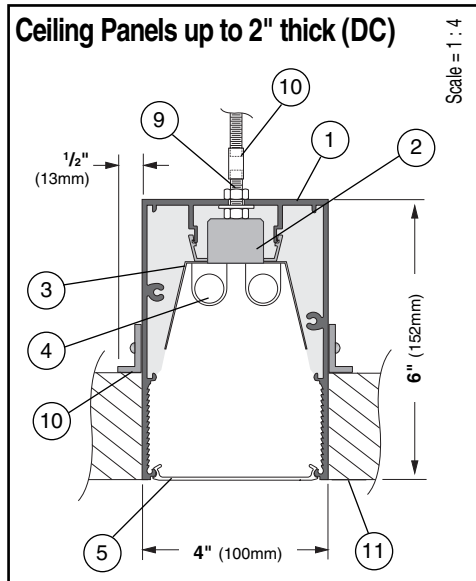
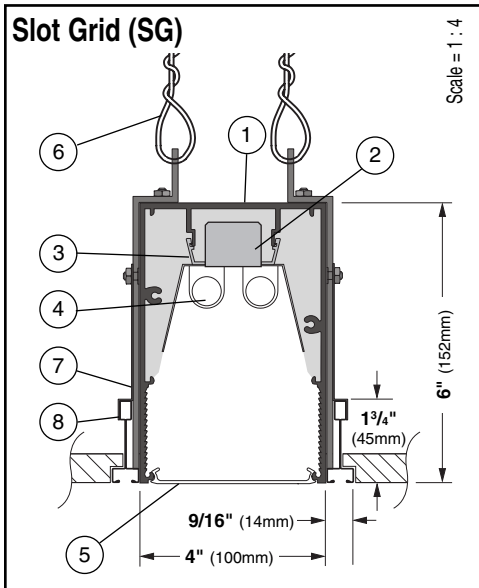
Project: _____ **Type:** _____ **Qty:** _____

Fixture Series	Lamp Type	Upper Shielding	Lower Shielding	Mounting	Nominal Length	Finish	Voltage

Options (refer to separate data sheets for ordering codes and details)

Fixture Series	Lamp Type	Lower Shielding	Mounting	Nominal Length	Finish	Voltage	Options
M1B0S M100 Super Recessed Multi-Mount Form Staggered Lamps	1T5 F28T5 1T5HO F54T5HO 	SA Specular Parabolic MA Matte Parabolic MP Silky Specular Parabolic PL Matte Perforated Parabolic SD Satine Lens OD Extra Diffuse Lens X None	SG Slot Grid DC Ceiling Panels up to 2" thick (lengths per submittal drawings)	008 8 foot 012 12 foot For actual lengths see following page. For other lengths, configurations indicate nominal length rounded to the next highest foot. Factory will supply layout drawings. Individual fixtures cannot be field joined.	WH White BK Black SV Silver SP Specify RAL#	120 277 347	(qty.) EM Stand-by Battery Pack ¹ (prefix quantity, i.e. - 5EM) FS Single Fusing DM Dimming ¹ (specify system) DMA Digital Addressable Dimming ¹ FW Flex Whip (standard) FW1 Flex Whip (dimming) Track Eutrac Standard ² DL Suitable for Damp Locations CCEA Chicago Plenum Downlights (See MR16 spec sheets, pp.98-99)
	2T5 (2x)F28/T5 	Upper Shielding SD Satine Lens OD Extra Diffuse Lens X None					

¹Must be low profile ballasts (1 1/2" W x 1 3/16" H); consult factory for details. ²Consult factory for details.



1. Housing - Continuous, 6063-T5 extruded aluminum profile up to 16 feet long. Joined with Connector Plus Joining System for ease of installation and to assure a uniform appearance.

2. Ballast - Electronic, high power factor, class "P", type "A" sound rating. Specify 120v, 277v, or 347v. Ballast is factory pre-wired with leads to one end of fixture. Consult factory for ballast options.

3. Gear Tray - Die formed gear tray with integral factory preset sliding covers to fill extrusion with light, with a matt white finish for even illumination. Geartray installs as complete electrical unit and is held in place with knurled dress nuts. It is fully accessible from below ceiling.

4. Lamps - As noted (by others). Other lamp lengths or wattages available, consult factory.

5. Shielding - Louvers offer excellent glare control in longitudinal, lateral, and all diagonal planes. High quality aluminum louvers and acrylic shielding allow true freedom of layout for today's modern spaces. See page 8 for more details.

6. Support Wire to Structure - Supplied and installed by others.

7. Support bracket - Supplied nominally every four feet.

8. Slot Grid Beam and Cross Tees - Supplied and installed by others.

9. Pre-installed 1" 1/4-20 Stud - Attached to fixture every nominal 4 feet.

10. Coupling and Threaded Rod to Structure - Supplied and installed by others.

11. Aluminum Angle Brackets - Run entire length of fixture to block view into plenum area from below fixture.

12. Ceiling Panels up to 2" Thick - Supplied and installed by others. Suitable for Decoustic[®] ceiling panel installations. Other ceiling systems possible, please consult factory. Decoustic[®] is a registered trademark of Decoustics Ltd. Corporation.

Interior Luminaire Finish - Standard interior colors are White (WH), Black (BK) and Silver (SV). RAL colors (SP) are available, please specify RAL#.

SELUX Corp. © 2006
 TEL: (845) 691-7723
 FAX: (845) 691-6749
 www.selux.com/USA
 M1B0S_SG-01 (v5.0)



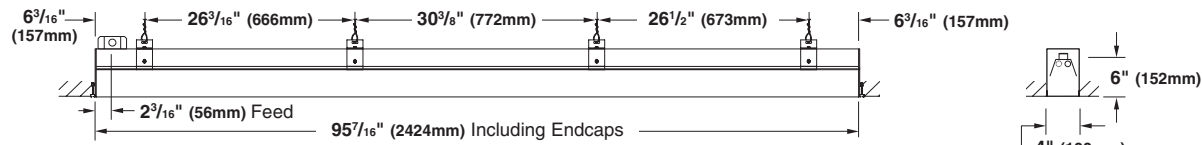
Union Made Affiliated
 with IBEW Local 363

In a continuing effort to offer the best product possible, we reserve the right to change, without notice, specifications or materials that in our opinion will not alter the function of the product. Specification sheets found at www.selux.com/usa are the most recent versions and supercede all other printed or electronic versions.

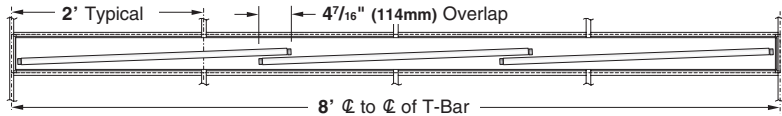
M1B0S (Single Staggered Lamps) Slot Grid Layout Dimensions

Nominal 8 foot Individual

Side View

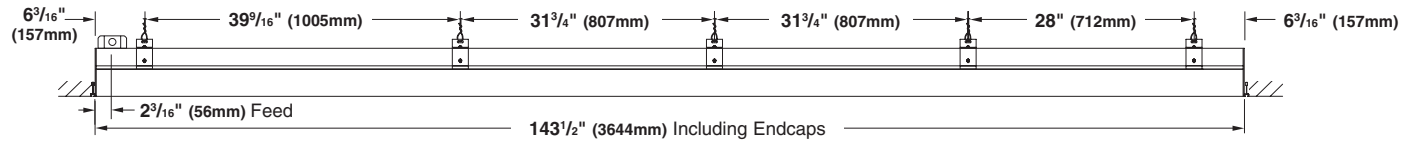


Bottom View

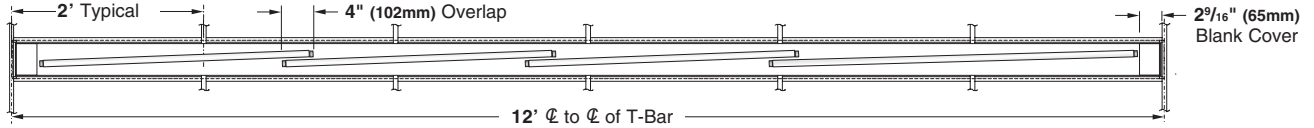


Nominal 12 foot Individual

Side View



Bottom View



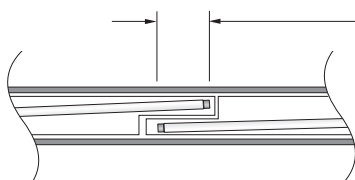
Fixture supplied with 7/8 knockout located 2 3/16" from end in top of fixture.

For other lengths, lamping, continuous runs or configurations please specify overall length (in feet), accessories desired and sketch/drawing of configuration. SELUX will detail project drawings upon order and supply submittal drawings for approval. Individual fixtures cannot be field joined. If you have any questions please contact SELUX customer service or applications engineering for assistance (1-800-SELUX-CS).

M1B0S Slot Grid (Double Staggered Lamps) Layout Dimensions -

Factory will provide submittal drawings. See chart on page 7 for lengths under 22 ft.

Staggered Lamps Principle



Lamps are spaced with 4" to 6" overlap to completely illuminate luminaire and practically eliminate socket shadows. Factory will supply approval drawings for other lengths using combinations of 21W & 28W T5 lamps or 39W & 54W T5HO lamps.

Minimal socket shadows may be visible at certain angles. Refer to page 8 for more information.

M100 Super Recessed Linear Fluorescent Spackle Flange



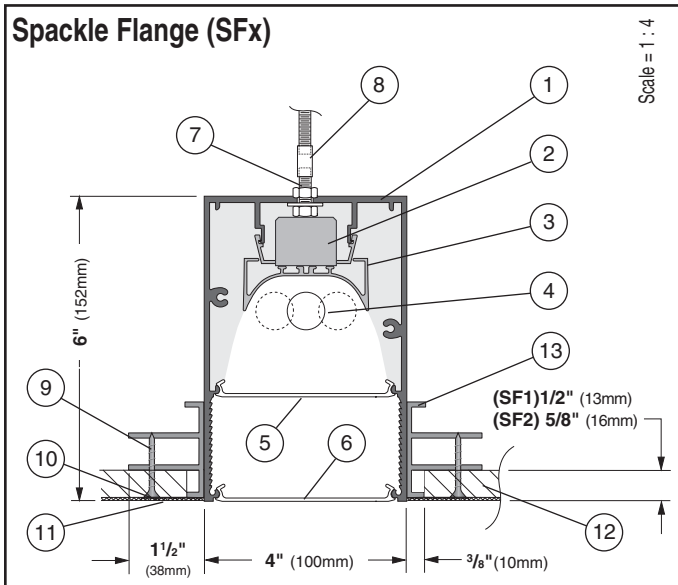
Project: _____ **Type:** _____ **Qty:** _____

M1B0	---	---	---	---	---	---	---
Fixture Series	Lamp Type	Upper Shielding	Lower Shielding	Mounting	Nominal Length	Finish	Voltage

Options (refer to separate data sheets for ordering codes and details)

Fixture Series	Lamp Type	Upper / Lower Shielding	Mounting	Nominal Length	Finish	Voltage	Options
M1B0 M100 Super Recessed Multi-Mount Form	1T5 F28T5	SA Specular Parabolic	SF1 Spackle Flange (1/2" dry wall)	004 4 foot	WH White	120	(qty) EM Stand-by Battery Pack ¹ (prefix quantity, i.e. - 5EM) FS Single Fusing DM Dimming ¹ (specify system) DMA Digital Addressable Dimming ¹ SI Satine Acrylic Inlay ³ FW Flex Whip (standard) FW1 Flex Whip (dimming) Track Eutrac Standard ² DL Suitable for Damp Locations CCEA Chicago Plenum Downlights (See MR16 spec sheets, pp.98-99)
	2T5 (2x)F28/T5	MA Matte Parabolic		008 8 foot	BK Black	277	
	1T5HO F54T5HO	MP Silky Specular Parabolic	SF2 Spackle Flange (5/8" dry wall)	012 12 foot	SV Silver	347	
	1T8 F032/T8	PL Matte Perforated Parabolic		For actual lengths see following page. For other lengths, configurations indicate nominal length rounded to the next highest foot. Factory will supply layout drawings. Individual fixtures cannot be field joined.	SP Specify RAL#		

¹Must be low profile ballasts (1 1/2" W x 1 3/16" H); consult factory for details. ²Consult factory for details. ³SA, MA, MP & PL shieldings only.



1. Housing - Continuous, 6063-T5 extruded aluminum profile up to 16 feet long. Joined with Connector Plus Joining System for ease of installation and to assure a uniform appearance.

2. Ballast - Electronic, high power factor, class "P", type "A" sound rating. Specify 120v, 277v, or 347v. Ballast is factory pre-wired with leads to one end of fixture. Consult factory for ballast options.

3. Gear Tray - Extruded aluminum, with white painted finish. Gear tray installed as a complete electrical unit and is held in place with knurled dress nuts. It is fully accessible from below ceiling.

4. Lamps - As noted (by others). Other lamp lengths or wattages available, consult factory.

5. Upper Shielding - Louvers offer excellent glare control in longitudinal, lateral, and all diagonal planes. High quality aluminum louvers and acrylic shielding allow true freedom of layout for today's modern spaces.

6. Lower Shielding - Same options as Upper Shielding #5.

7. Pre-installed 1" 1/4-20 Stud - Attached to fixture every nominal 4 feet.

8. Coupling and Threaded Rod to Structure - Supplied and installed by others.

9. Dry Wall Screw - Supplied and installed by others.

10. Fiberglass Sheetrock Tape - Supplied and installed by others.

11. Plaster Skimcoat 1/16" - Supplied and installed by others.

12. Plaster Board - Supplied and installed by others. For 1/4" thick specify SF1; for 5/8" thick specify SF2.

13. Spackle Flange - For 1/2" (SF1) or 5/8" (SF2) thick sheet rock, installed at factory.

Interior Luminaire Finish - Standard interior colors are White (WH), Black (BK) and Silver (SV). RAL colors (SP) are available, please specify RAL#.

SELUX Corp. © 2006
TEL: (845) 691-7723
FAX: (845) 691-6749
www.selux.com/USA
M1B0_SF-01 (v5.0)



Union Made Affiliated
with **IBEW** Local 363

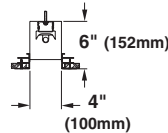
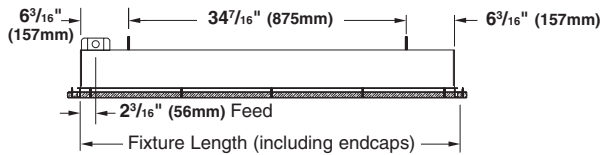
In a continuing effort to offer the best product possible, we reserve the right to change, without notice, specifications or materials that in our opinion will not alter the function of the product. Specification sheets found at www.selux.com/usa are the most recent versions and supercede all other printed or electronic versions.

M1B0 Spackle Flange Layout Dimensions

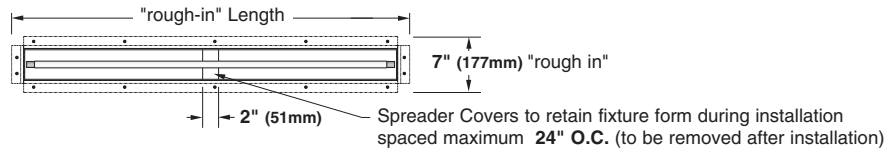
Nominal 4 foot Individual

Typical End View (all lengths)

Side View

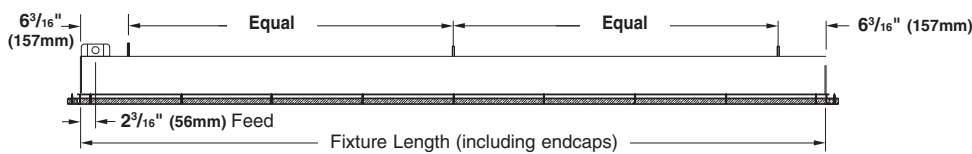


Bottom View

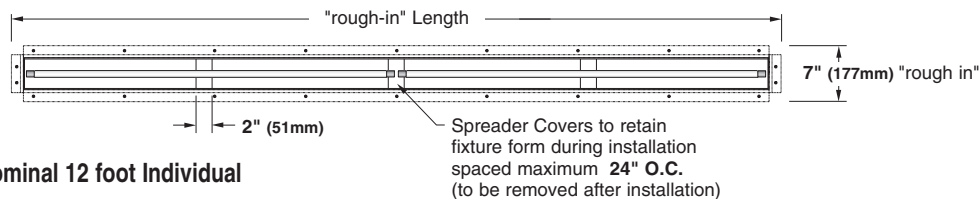


Nominal 8 foot Individual

Side View

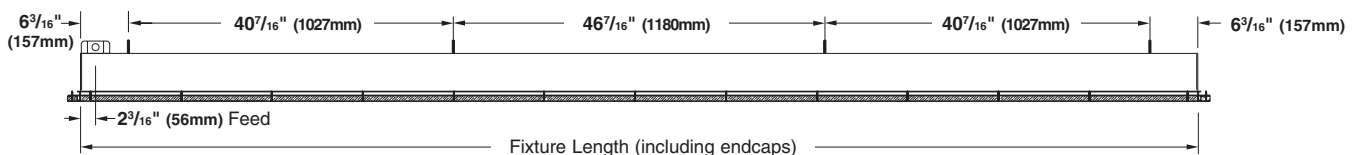


Bottom View

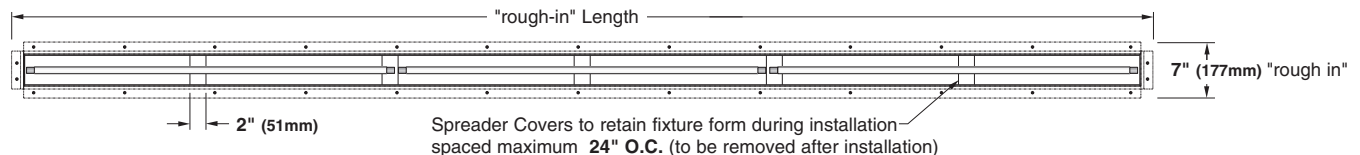


Nominal 12 foot Individual

Side View



Bottom View



Fixture supplied with 7/8 knockout located 2 3/16" from end in top of fixture.

	T5 (1 or 2 lamp)		T8 (1 lamp)	
	M1B0-xt5-xx-SFx		M1B0-1T8-xx-SFx	
	Fixture Length	"Rough-in" Length	Fixture Housing	"Rough-in" Length
4 foot individual	46.81" (1189mm)	49.81" (1265mm)	48.37" (1229mm)	51.37" (1305mm)
8 foot individual	93.21" (2368mm)	96.21" (2444mm)	96.41" (2449mm)	99.41" (2525mm)
12 foot individual	139.65" (3547mm)	142.65" (3623mm)	144.45" (3669mm)	147.45" (3745mm)

For other lengths, lamping, continuous runs or configurations please specify overall length (in feet), accessories desired and sketch/drawing of configuration. SELUX will detail project drawings upon order and supply submittal drawings for approval. Individual fixtures cannot be field joined. If you have any questions, contact SELUX customer service or applications engineering for assistance (1-800-SELUX-CS).

M100 Super Recessed Linear Fluorescent Spackle Flange - STAGGERED LAMPS



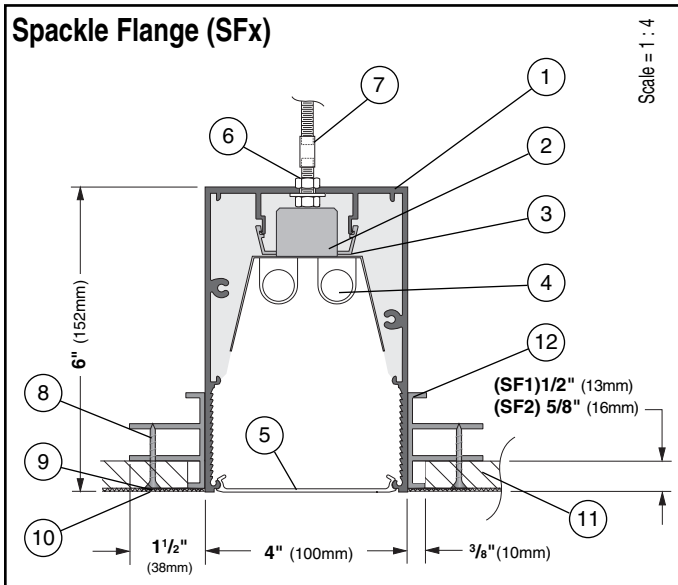
Project: _____ **Type:** _____ **Qty:** _____

Fixture Series	Lamp Type	Upper Shielding	Lower Shielding	Mounting	Nominal Length	Finish	Voltage

Options (refer to separate data sheets for ordering codes and details)

Fixture Series	Lamp Type	Lower Shielding	Mounting	Nominal Length	Finish	Voltage	Options
M1B0S M100 Super Recessed Multi-Mount Form Staggered Lamps	1T5 F28T5	SA Specular Parabolic	SF1 Spackle Flange (1/2" dry wall)	008 8 foot 012 12 foot <small>For actual lengths see following page. For other lengths, configurations indicate nominal length rounded to the next highest foot. Factory will supply layout drawings. Individual fixtures cannot be field joined.</small>	WH White BK Black SV Silver SP Specify RAL#	120 277 347	(qty.)EM Stand-by Battery Pack ¹ (prefix quantity, i.e. - 5EM) FS Single Fusing DM Dimming ¹ (specify system) DMA Digital Addressable Dimming ¹ SI Satine Acrylic Inlay ³ FW Flex Whip (standard) FW1 Flex Whip (dimming) Track Eutrac Standard ² DL Suitable for Damp Locations CCEA Chicago Plenum Downlights (See MR16 spec sheets, pp.98-99)
	1T5HO F54T5HO	MA Matte Parabolic					
	2T5 (2x)F28/T5	PL Matte Perforated Parabolic	SF2 Spackle Flange (5/8" dry wall)				
		SD Satine Lens OD Extra Diffuse Lens X None					
		Upper Shielding					
		SD Satine Lens OD Extra Diffuse Lens X None					

¹Must be low profile ballasts (1 1/2" W x 1 3/16" H); consult factory for details. ²Consult factory for details. ³SA, MA, MP & PL shieldings only.



- Housing** - Continuous, 6063-T5 extruded aluminum profile up to 16 feet long. Joined with Connector Plus Joining System for ease of installation and to assure a uniform appearance.
- Ballast** - Electronic, high power factor, class "P", type "A" sound rating. Specify 120v, 277v, or 347v. Ballast is factory pre-wired with leads to one end of fixture. Consult factory for ballast options.
- Gear Tray** - Die formed gear tray with integral factory preset sliding covers to fill extrusion with light, with a matt white finish for even illumination. Geartray installs as complete electrical unit and is held in place with knurled dress nuts. It is fully accessible from below ceiling.
- Lamps** - As noted (by others). Other lamp lengths or wattages available, consult factory.
- Shielding** - Louvers offer excellent glare control in longitudinal, lateral, and all diagonal planes. High quality aluminum louvers and acrylic shielding allow true freedom of layout for today's modern spaces. See page 8 for info.
- Pre-installed 1" 1/4-20 Stud** - Attached to fixture every nominal 4 feet.
- Coupling and Threaded Rod to Structure** - Supplied and installed by others.
- Dry Wall Screw** - Supplied and installed by others.
- Fiberglass Sheetrock Tape** - Supplied and installed by others.
- Plaster Skimcoat 1/16"** - Supplied and installed by others.
- Plaster Board** - Supplied and installed by others. For 1/2" thick specify SF1; for 5/8" thick specify SF2.
- Spackle Flange** - For 1/2" (SF1) or 5/8" (SF2) thick sheet rock, installed at factory.

Interior Luminaire Finish - Standard interior colors are White (WH), Black (BK) and Silver (SV). RAL Classic colors (SP) are available, please specify RAL#.

SELUX Corp. © 2006
TEL: (845) 691-7723
FAX: (845) 691-6749
www.selux.com/USA
M1B0S_SF-01 (v5.0)



Union Made Affiliated
with IBEW Local 363

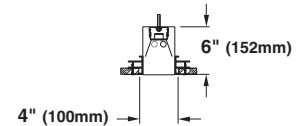
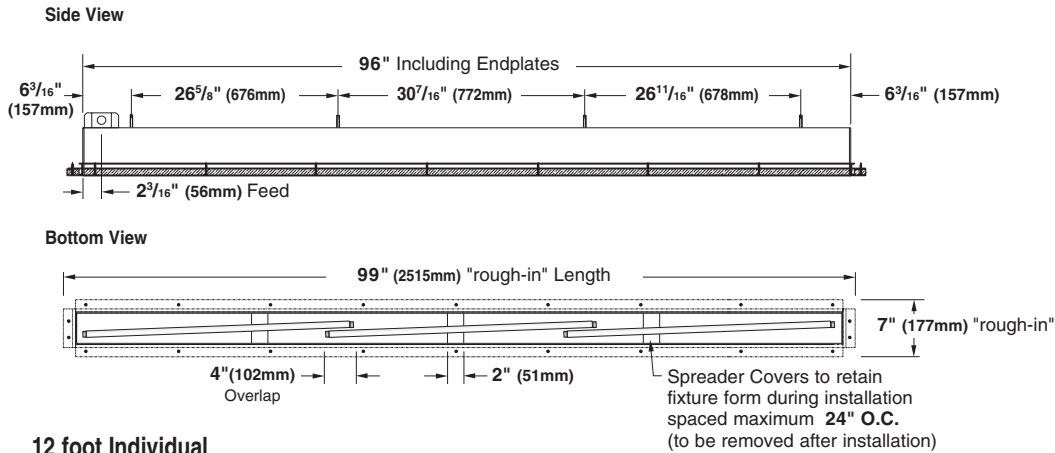
In a continuing effort to offer the best product possible, we reserve the right to change, without notice, specifications or materials that in our opinion will not alter the function of the product. Specification sheets found at www.selux.com/usa are the most recent versions and supercede all other printed or electronic versions.

M1B0S (Single Staggered Lamps) Spackle Flange Layout Dimensions

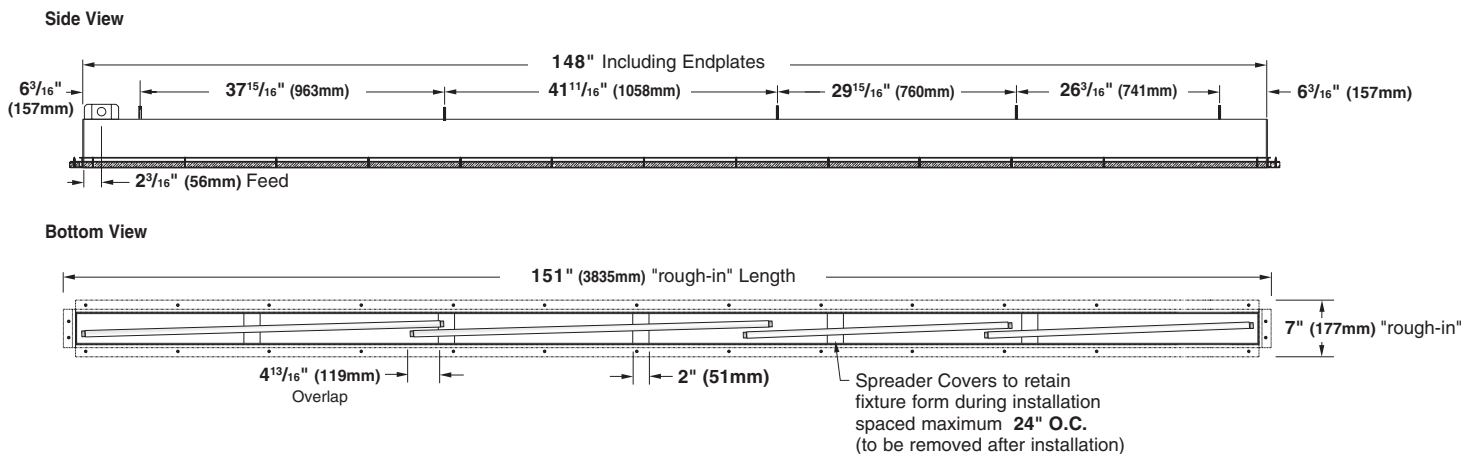
For T5 lamps only, for other lamping consult factory.

8 foot Individual

Typical End View (all lengths)



12 foot Individual



Fixture supplied with 7/8 knockout located 2³/₁₆" from end in top of fixture.

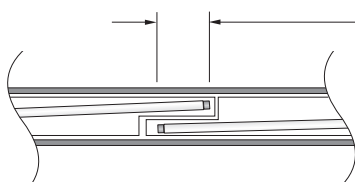
See chart on page 6 for optimal custom lengths under 18 ft. Any length over 18 ft. possible, see below.

For other lengths, lamping, continuous runs or configurations please specify overall length (in feet), accessories desired and sketch/drawing of configuration. SELUX will detail project drawings upon order and supply submittal drawings for approval. Individual fixtures cannot be field joined. If you have any questions please contact SELUX customer service or applications engineering for assistance (1-800-SELUX-CS).

M1B0S Spackle Flange (Double Staggered Lamps) Layout Dimensions -

Factory will provide submittal drawings. See chart on page 7 for lengths under 22 ft.

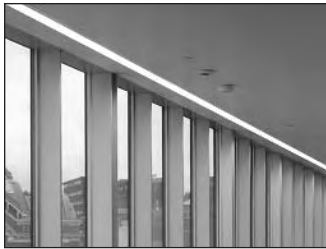
Staggered Lamps Principle



Lamps are spaced with 4" to 6" overlap to completely illuminate luminaire and practically eliminate socket shadows. Factory will supply approval drawings for other lengths using combinations of 21W & 28W T5 lamps or 39W & 54W T5HO lamps.

Minimal socket shadows may be visible at certain angles. Refer to page 8 for more information.

M100 Recessed Linear Fluorescent Asymmetrical Flanged Extrusion



Project: _____ **Type:** _____ **Qty.** _____

Fixture Series	Lamp Type	Shielding	Mounting	Mounting Option	Nominal Length	Finish	Voltage

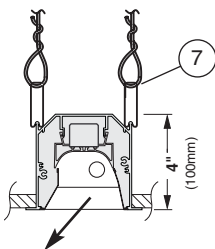
Options (refer to separate data sheets for ordering codes and details)

Fixture Series	Lamp Type	Shielding	Mounting	Nominal Length	Finish	Voltage	Options
M1RA1 M100 Recessed Asymmetrical Continuous Flange (Flanged Extrusion/ Flanged Endcaps)	1T5 F28T5 1T5HO F54T5HO	AMP Asymmetric Silky Specular Louver SD Satine Lens	SH Suspension Clips TS 1" Studs (factory installed) RC Rotating Crossbars PM Perimeter Mount	004 4 foot	WH White BK Black SV Silver SP Specify RAL#	120 277 347	TB Lengths to Fit 2' Grid T-Bar Ceiling System ¹ (qty.) EM Stand-by Battery Pack ² (prefix quantity, i.e. - 5EM) FS Single Fusing DM Dimming ² (specify system) DMA Digital Addressable Dimming ² FW Flex Whip (standard) FW1 Flex Whip (dimming) DL Suitable for Damp Locations CCEA Chicago Plenum Downlights (See MR16 spec sheets, pp.98-99)
				008 8 foot			
				012 12 foot			
For actual lengths see following page. For other lengths, configurations indicate nominal length rounded to the next highest foot. Factory will supply layout drawings. Individual fixtures cannot be field joined.				¹ T5 & T5HO lamps only, consult factory for other lamps. ² Must be low profile ballasts (1 1/2" W x 1 3/16" H); consult factory for details. ³ Consult factory for details.			
M1RA2 M100 Recessed Asymmetrical Flush End (Flanged Extrusion/ Flangeless Endcaps)							

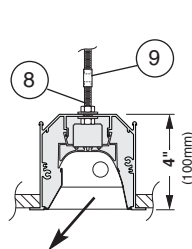
Mounting Diagrams

Scale = 1 : 8

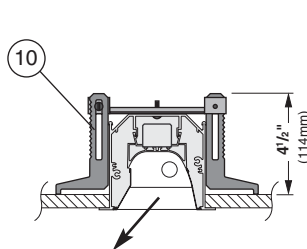
Suspension Clips (SH)



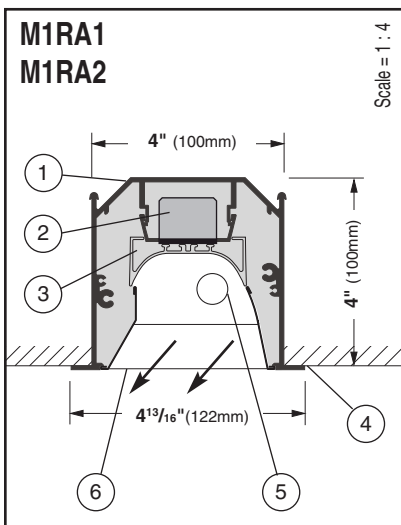
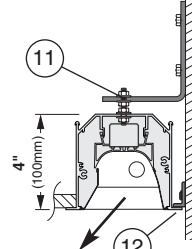
Pre-installed Rod (TS)



Rotating Crossbars (RC)



Perimeter Mount (PM)



1. Housing - Continuous, 6063-T5 extruded aluminum profile up to 16 feet long. Joined with Connector Plus Joining System for ease of installation and to assure a uniform appearance.

2. Ballast - Electronic, high power factor, class "P", type "A" sound rating. Specify 120v, 277v, or 347v. Ballast is factory pre-wired with leads to one end of fixture. Consult factory for ballast options.

3. Gear Tray - Extruded aluminum, with white painted finish. Gear tray installed as a complete electrical unit and is held in place with knurled dress nuts. It is fully accessible from below ceiling.

4. Flange - 1/2" (12mm) wide flange runs full lengths of both sides and is part of the main extruded body. Specify continuous flange (M1RA1) or flush end (M1RA2).

5. Lamps - As noted (by others). Other lamp lengths or wattages available, consult factory.

6. Shielding - Louvers offer excellent glare control in longitudinal, lateral, and all diagonal planes. High quality aluminum louvers and acrylic shielding allow true freedom of layout for contemporary modern spaces.

7. Spring steel suspension clips - Supplied two places, located nominally every 4 ft. Support wires Supplied and installed by others.

8. Pre-installed 1" 1/4-20 Stud - Attached to fixture every nominal 4 feet.

9. Coupling and Threaded Rod to Structure - Supplied and installed by others.

10. Rotating Crossbars - For inaccessible ceilings, adjustable for ceiling thicknesses from 1/4" to 2". Support required nominally every 4'.

11. Steel Wall Bracket and 1/4-20 rod supplied nominally every 4 ft. (Fasteners to wall and wall anchors by others)

12. Aluminum Wall Bracket - Secured to wall (fasteners and wall anchors by others) and runs entire length of fixture. Also supplied for width of fixtures when supplied with continuous flange. Allows for 1/8" gap between flange and wall to create shadow line allowing for unevenness of wall.

Interior Luminaire Finish - Standard interior colors are White (WH), Black (BK) and Silver (SV). RAL colors (SP) are available, please specify RAL#.

SELUX Corp. © 2006
 TEL: (845) 691-7723
 FAX: (845) 691-6749
 www.selux.com/usa
 M1RA1-01 (v5.0)

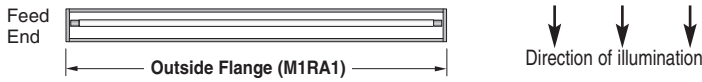


Union Made Affiliated
 with IBEW Local 363

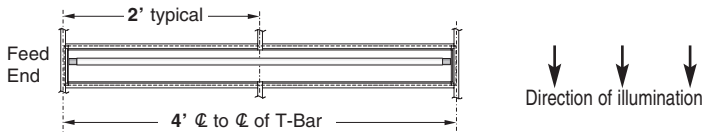
In a continuing effort to offer the best product possible, we reserve the right to change, without notice, specifications or materials that in our opinion will not alter the function of the product. Specification sheets found at www.selux.com/usa are the most recent versions and supercede all other printed or electronic versions.

M1RA1 and M1RA2 Layout Dimensions

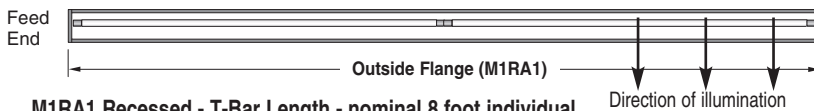
M1RA1/M1RA2 Recessed - nominal 4 foot individual



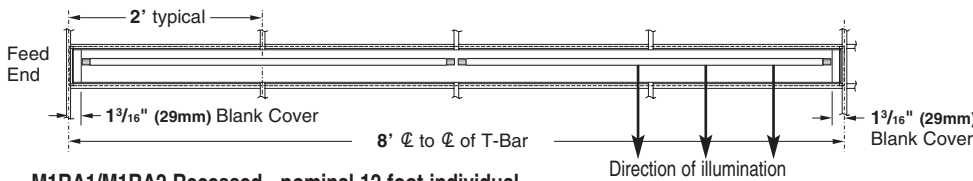
M1RA1 Recessed - T-Bar Length - nominal 4 foot individual



M1RA1/M1RA2 Recessed - nominal 8 foot individual



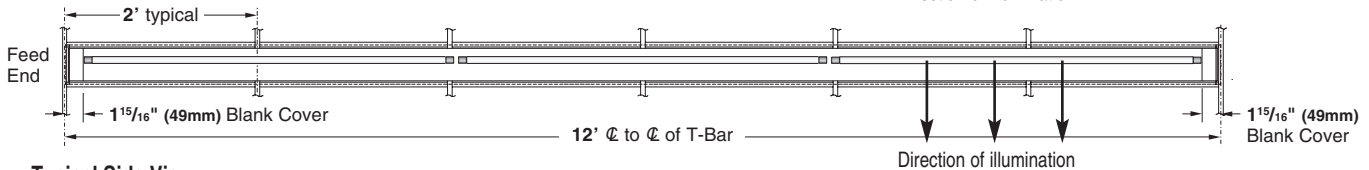
M1RA1 Recessed - T-Bar Length - nominal 8 foot individual



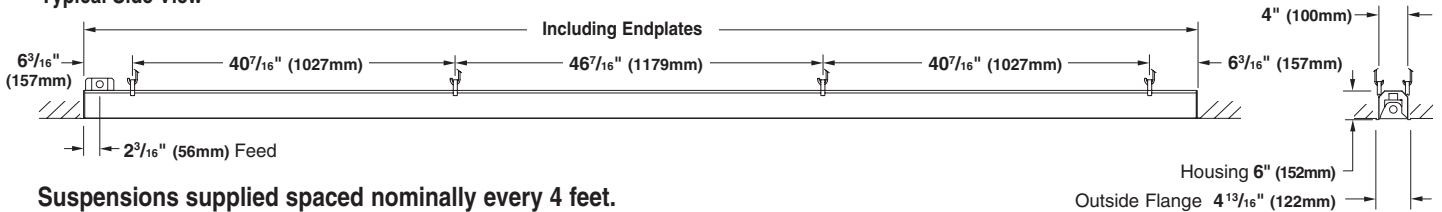
M1RA1/M1RA2 Recessed - nominal 12 foot individual



M1RA1 Recessed - T-Bar Length - nominal 12 foot individual



Typical Side View



Suspensions supplied spaced nominally every 4 feet.
 Fixture supplied with 7/8 knockout located 2 3/16" from end in top of fixture.

	T5 (1 or 2 lamp)				T8 (1 lamp)	
	M1RA1/M1RA2 Including Endplates	M1RA1 Outside Flange	M1RA1/M1RA2 - TB Including Endplates	M1RA1 - TB Outside Flange	M1RA1/M1RA2 Including Endplates	M1RA1 Outside Flange
4 foot individual	46.81" (1186mm)	47.58" (1209mm)	47.03" (1195mm)	47.91" (1216mm)	48.33" (1228mm)	49.20" (1250mm)
8 foot individual	93.21" (2365mm)	94.00" (2388mm)	95.03" (2414mm)	95.91" (2436mm)	96.37" (2448mm)	97.24" (2470mm)
12 foot individual	139.65" (3544mm)	140.41" (3567mm)	143.03" (3633mm)	143.91" (3655mm)	144.41" (3668mm)	145.28" (3690mm)

For other lengths, lamping, continuous runs or configurations please specify overall length (in feet), accessories desired and sketch/drawing of configuration. SELUX will detail project drawings upon order and supply submittal drawings for approval. Individual fixtures cannot be field joined. If you have any questions please contact SELUX customer service or applications engineering for assistance (1-800-SELUX-CS).

M100 Recessed Linear Fluorescent Asymmetrical Slot Grid / Thick Ceiling Panel

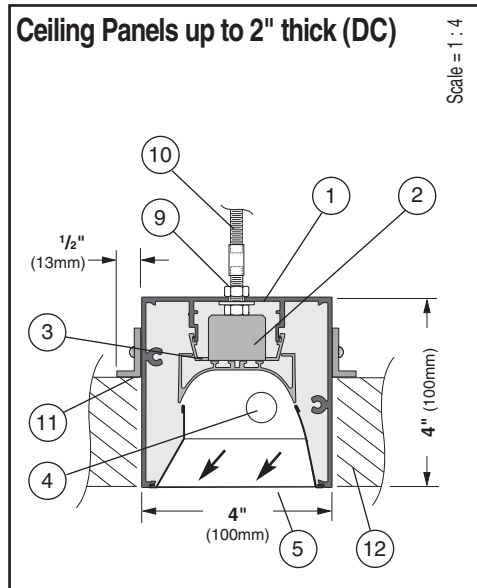
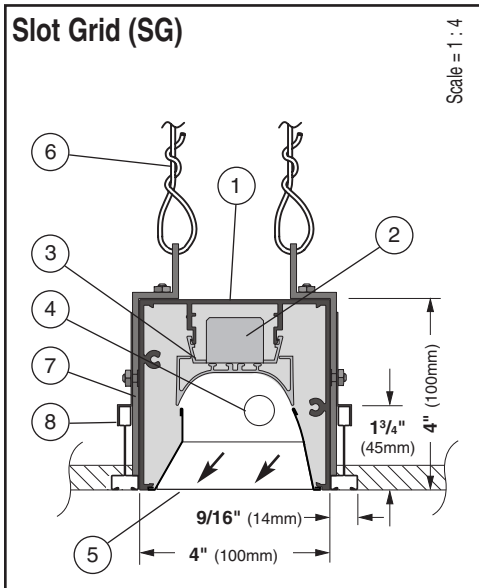


Project: _____ **Type:** _____ **Qty:** _____

M1A	---	---	---	---	---	---
Fixture Series	Lamp Type	Shielding	Mounting	Nominal Length	Finish	Voltage
---	---	---	---	---	---	---

Options (refer to separate data sheets for ordering codes and details)

Fixture Series	Lamp Type	Shielding	Mounting	Nominal Length	Finish	Voltage	Options
M1A M100 Asymmetrical Multi-Mount Form	1T5 F28T5	AMP Asymmetric Silky Specular Louver	SG Slot Grid	004 4 foot	WH White	120	(qty.)EM Stand-by Battery Pack ¹ (prefix quantity, i.e. - 5EM)
	1T5HO F54T5HO	SD Satine Lens	DC Ceiling Panels up to 2" thick (lengths per submittal drawings)	008 8 foot	BK Black	277	FS Single Fusing
				012 12 foot	SV Silver	347	DM Dimming ¹ (specify system) DMA Digital Addressable Dimming ¹ FW Flex Whip (standard) FW1 Flex Whip (dimming) DL Suitable for Damp Locations CCEA Chicago Plenum Downlights (See MR16 spec sheets, pp.98-99)
				For actual lengths see following page. For other lengths, configurations indicate nominal length rounded to the next highest foot. Factory will supply layout drawings. Individual fixtures cannot be field joined.			
							¹ Must be low profile ballasts (1 1/2" W x 1 1/16" H); consult factory for details.



1. Housing - Continuous, 6063-T5 extruded aluminum profile up to 16 feet long. Joined with Connector Plus Joining System for ease of installation and to assure a uniform appearance.

2. Ballast - Electronic, high power factor, class "P", type "A" sound rating. Specify 120v, 277v, or 347v. Ballast is factory pre-wired with leads to one end of fixture. Consult factory for ballast options.

3. Gear Tray - Extruded aluminum, with white painted finish. Gear tray installed as a complete electrical unit and is held in place with knurled dress nuts. It is fully accessible from below ceiling.

4. Lamps - As noted (by others). Other lamp lengths or wattages available, consult factory.

5. Shielding - Louvers offer excellent glare control in longitudinal, lateral, and all diagonal planes. High quality aluminum louvers and acrylic shielding allow true freedom of layout for contemporary modern spaces.

6. Support Wire to Structure - Supplied and installed by others.

7. Support Bracket - Supplied nominally every four feet.

8. Slot Grid Beam and Cross Tees - Supplied and installed by others.

9. Pre-installed 1" 1/4-20 Stud - Attached to fixture every nominal 4 feet.

10. Coupling and Threaded Rod to Structure - Supplied and installed by others.

11. Aluminum Angle Brackets - Run entire length of fixture to block view into plenum area from below fixture.

12. Ceiling Panels up to 2" Thick - Supplied and installed by others. Suitable for Decoustic[®] ceiling panel installations. Other ceiling systems possible, please consult factory. Decoustic[®] is a registered trademark of Decoustics Ltd. Corporation.

Interior Luminaire Finish - Standard interior colors are White (WH), Black (BK) and Silver (SV). RAL colors (SP) are available, please specify RAL#.

SELUX Corp. © 2006
TEL: (845) 691-7723
FAX: (845) 691-6749
www.selux.com/USA
M1A_SG-01 (v5.0)



Union Made Affiliated
with IBEW Local 363

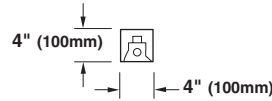
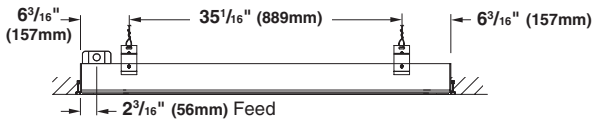
In a continuing effort to offer the best product possible, we reserve the right to change, without notice, specifications or materials that in our opinion will not alter the function of the product. Specification sheets found at www.selux.com/usa are the most recent versions and supercede all other printed or electronic versions.

M1A Slot Grid Layout Dimensions

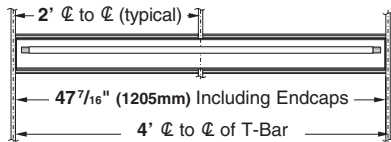
Nominal 4 foot Individual

Typical End View (all lengths)

Side View

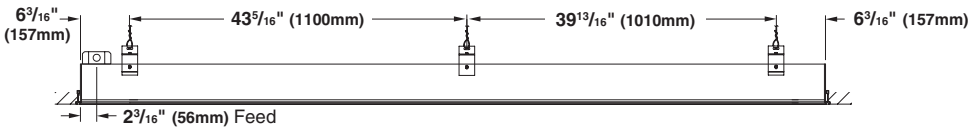


Bottom View

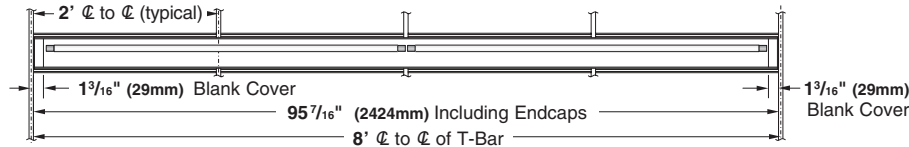


Nominal 8 foot Individual

Side View

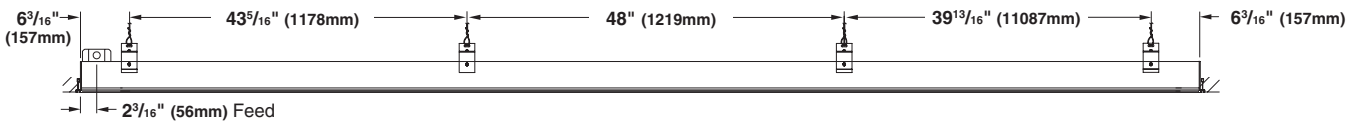


Bottom View

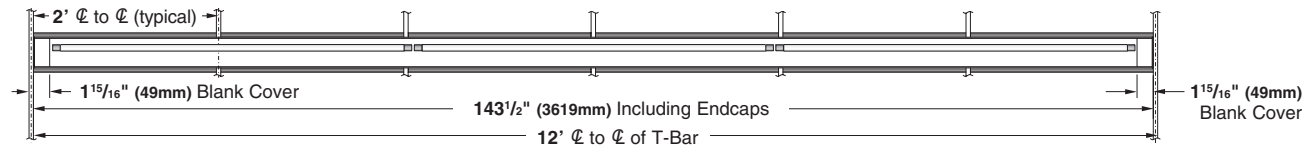


Nominal 12 foot Individual

Side View



Bottom View



Fixture supplied with 7/8 knockout located 2 3/16" from end in top of fixture.

For other lengths, lampping, continuous runs or configurations please specify overall length (in feet), accessories desired and sketch/drawing of configuration. SELUX will detail project drawings upon order and supply submittal drawings for approval. Individual fixtures cannot be field joined. If you have any questions please contact SELUX customer service or applications engineering for assistance (1-800-SELUX-CS).

M100 Recessed Linear Fluorescent Asymmetrical Spackle Flange



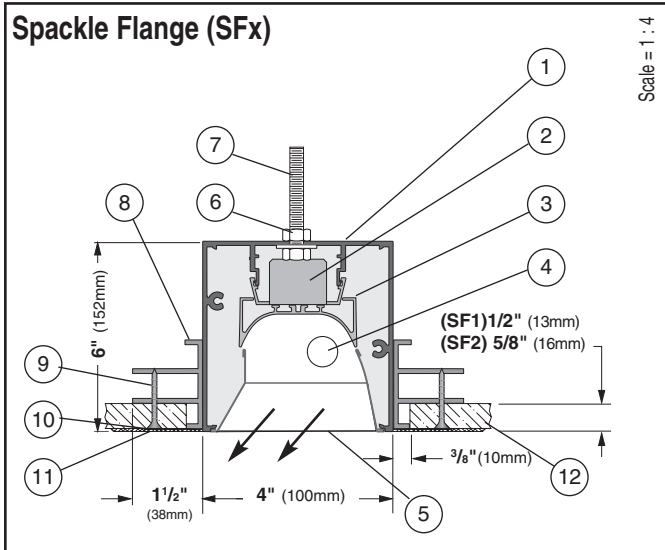
Project: _____ Type: _____ Qty: _____

M1A	-	-	-	-	-	-	-
Fixture Series	Lamp Type	Shielding	Mounting	Nominal Length	Finish	Voltage	
-	-	-	-	-	-	-	-

Options (refer to separate data sheets for ordering codes and details)

Fixture Series	Lamp Type	Shielding	Mounting	Nominal Length	Finish	Voltage	Options
M1A M100 Asymmetrical Multi-Mount Form	1T5 F28T5	AMP Asymmetric Silky Specular Louver	SF1 Spackle Flange (1/2" dry wall)	004 4 foot	WH White	120	TB Lengths to Fit 2' Grid T-Bar Ceiling System ¹ (qty)EM Stand-by Battery Pack ² (prefix quantity, i.e. - 5EM) FS Single Fusing DM Dimming ² (specify system) DMA Digital Addressable Dimming ² FW Flex Whip (standard) FW1 Flex Whip (dimming) DL Suitable for Damp Locations CCEA Chicago Plenum Downlights (See MR16 spec sheets, pp.98-99)
	1T5HO F54T5HO	SD Satine Lens	SF2 Spackle Flange (5/8" dry wall)	008 8 foot	BK Black	277	
				012 12 foot	SV Silver	347	
				For actual lengths see following page. For other lengths, configurations indicate nominal length rounded to the next highest foot. Factory will supply layout drawings. Individual fixtures cannot be field joined.	SP Specify RAL#		
¹ T5 & T5HO lamps only, consult factory for other lamps. ² Must be low profile ballasts (1 1/2" W x 1 3/16" H); consult factory for details. ³ Consult factory for details.							

Spackle Flange (SFx)



1. Housing - Continuous, 6063-T5 extruded aluminum profile up to 16 feet long. Joined with Connector Plus Joining System for ease of installation and to assure a uniform appearance.

2. Ballast - Electronic, high power factor, class "P", type "A" sound rating. Specify 120v, 277v, or 347v. Ballast is factory pre-wired with leads to one end of fixture. Consult factory for ballast options.

3. Gear Tray - Extruded aluminum, with white painted finish. Gear tray installed as a complete electrical unit and is held in place with knurled dress nuts. It is fully accessible from below ceiling.

4. Lamps - As noted (by others). Other lamp lengths or wattages available, consult factory.

5. Shielding - Louvers offer excellent glare control in longitudinal, lateral, and all diagonal planes. High quality aluminum louvers and acrylic shielding allow true freedom of layout for contemporary modern spaces.

6. Pre-installed 1" 1/4-20 Stud - Attached to fixture every nominal 4 feet.

7. Coupling and Threaded Rod to Structure - Supplied and installed by others.

8. Spackle Flange - For 1/2" (SF1) or 5/8" (SF2) thick sheet rock, installed at factory.

9. Dry Wall Screw - Supplied and installed by others.

10. Fiberglass Sheetrock Tape - Supplied and installed by others.

11. Plaster Skimcoat 1/16" - Supplied and installed by others.

12. Plaster Board - Supplied and installed by others. For 1/4" thick specify SF1; for 5/8" thick specify SF2.

Interior Luminaire Finish - Standard interior colors are White (WH), Black (BK) and Silver (SV). RAL colors (SP) are available, please specify RAL#.

SELUX Corp. © 2006
TEL: (845) 691-7723
FAX: (845) 691-6749
www.selux.com/USA
M1A_SG-01 (v5.0)



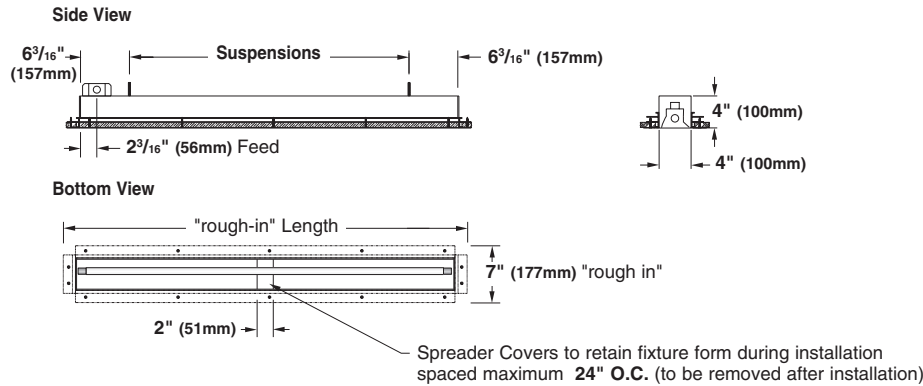
Union Made Affiliated
with IBEW Local 363

In a continuing effort to offer the best product possible, we reserve the right to change, without notice, specifications or materials that in our opinion will not alter the function of the product. Specification sheets found at www.selux.com/usa are the most recent versions and supercede all other printed or electronic versions.

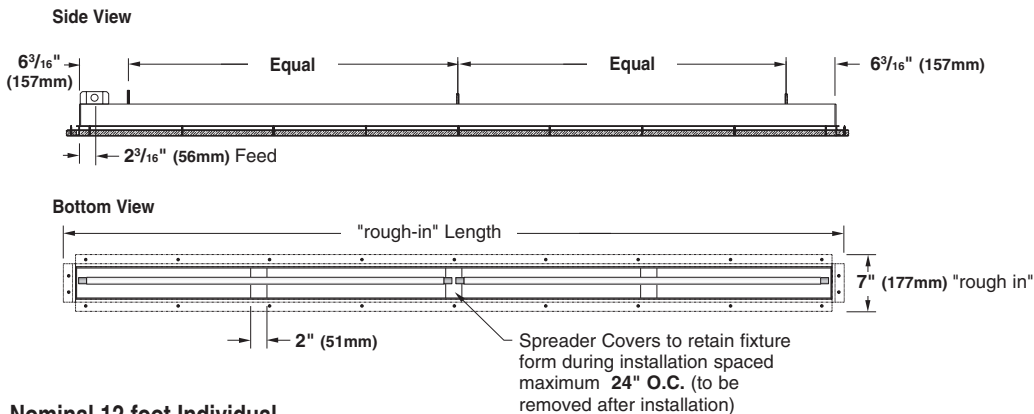
M1A Spackle Flange Layout Dimensions

Nominal 4 foot Individual

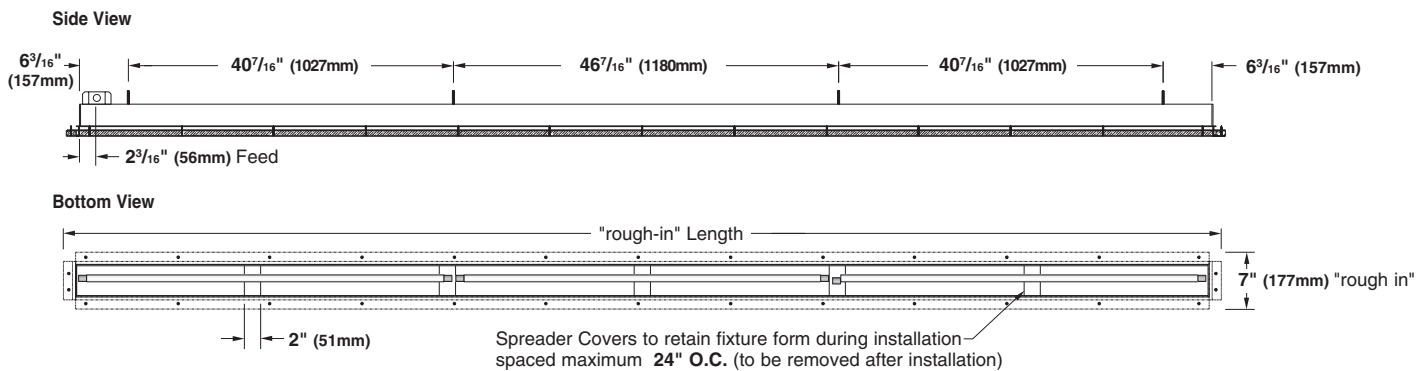
Typical End View (all lengths)



Nominal 8 foot Individual



Nominal 12 foot Individual



Fixture supplied with 7/8 knockout located 2 3/16" from end in top of fixture.

For other lengths, lampping, continuous runs or configurations please specify overall length (in feet), accessories desired and sketch/drawing of configuration. SELUX will detail project drawings upon order and supply submittal drawings for approval. Individual fixtures cannot be field joined. If you have any questions please contact SELUX customer service or applications engineering for assistance (1-800-SELUX-CS).

M100 Recessed Wall Washer Linear Fluorescent Flanged Extrusion



Project: _____ **Type:** _____ **Qty:** _____

M1W0	---	---	---	---	---
Fixture Series	Lamp Type	Mounting	Nominal Length	Finish	Voltage
---	---	---	---	---	---

Options (refer to separate data sheets for ordering codes and details)

Fixture Series	Lamp Type	Mounting	Nominal Length	Finish	Voltage	Options
M1W1 M100 Wall Washer Continuous Flange (Flanged Extrusion/ Flanged Endcaps)	1T5 F28T5	SH Suspension Clips	004 4 foot	WH White	120	TB Lengths to Fit 2' Grid T-Bar Ceiling System (qty.)EM Stand-by Battery Pack ¹ (prefix quantity, i.e. - 5EM) FS Single Fusing DM Dimming ¹ (specify system) DMA Digital Addressable Dimming ¹ FW Flex Whip (standard) FW1 Flex Whip (dimming) DL Suitable for Damp Locations CCEA Chicago Plenum
	1T5HO F54T5HO	TS 1" Studs (factory installed)	008 8 foot	BK Black	277	
		RC Rotating Crossbars	012 12 foot	SV Silver	347	
M1W2 M100 Wall Washer Flanged Extrusion/ Flush End (Flanged Extrusion/ Flangeless Endcaps)				SP Specify RAL#		

¹Must be low profile ballasts (Consult factory for details.); consult factory for details.

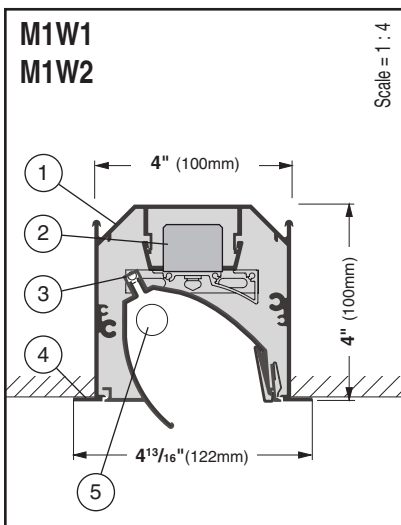
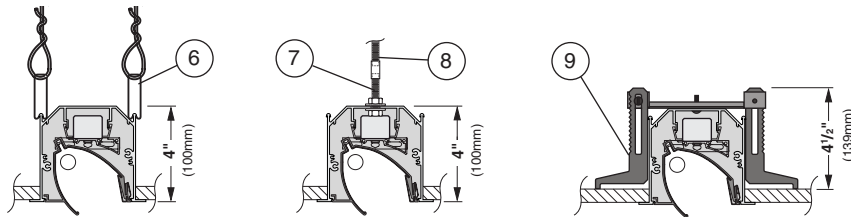
Mounting Diagrams

Scale = 1 : 8

Suspension Clips (SH)

Pre-installed Rod (TS)

Rotating Crossbars (RC)



1. Housing - Continuous, 6063-T5 extruded aluminum profile up to 16 feet long. Joined with Connector Plus Joining System for ease of installation and to assure a uniform appearance.

2. Ballast - Electronic, high power factor, class "P", type "A" sound rating. Specify 120v, 277v, or 347v. Ballast is factory pre-wired with leads to one end of fixture. Consult factory for ballast options.

3. Gear Tray - Extruded aluminum, with white painted finish. Gear tray installed as a complete electrical unit and is held in place with knurled dress nuts. It is fully accessible from below ceiling.

4. Flange - 1/2" (12mm) wide flange runs full lengths of both sides and is part of the main extruded body. Specify continuous flange (M1W1) or flush end (M1W2).

5. Lamps - As noted (by others). Other lamp lengths or wattages available, consult factory.

6. Spring Steel Suspension Clips - Supplied two places, located nominally every 4 ft. Support wires supplied and installed by others.

7. Pre-installed 1" 1/4-20 Stud - Attached to fixture every nominal 4 feet.

8. Coupling and Threaded Rod to Structure - Supplied and installed by others.

9. Rotating Crossbar - For inaccessible ceilings, adjustable for ceiling thicknesses from 1/4" to 2". Support required nominally every 4'.

Interior Luminaire Finish - Standard interior colors are White (WH), Black (BK) and Silver (SV). RAL colors (SP) are available, please specify RAL#.

SELUX Corp. © 2006
 TEL: (845) 691-7723
 FAX: (845) 691-6749
 www.selux.com/USA
 M1W1-01 (v5.0)



Union Made Affiliated
 with IBEW Local 363

In a continuing effort to offer the best product possible, we reserve the right to change, without notice, specifications or materials that in our opinion will not alter the function of the product. Specification sheets found at www.selux.com/usa are the most recent versions and supercede all other printed or electronic versions.

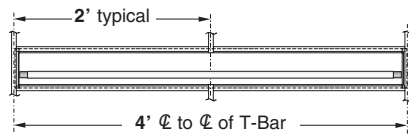
M1W1 and M1W2 Layout Dimensions

Specify T5 lamps when using in grid ceiling systems where 24" or 48" light openings are required.

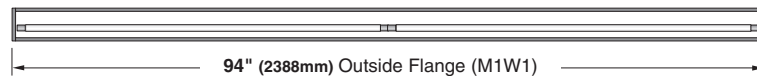
M1W1 Recessed - nominal 4 foot individual



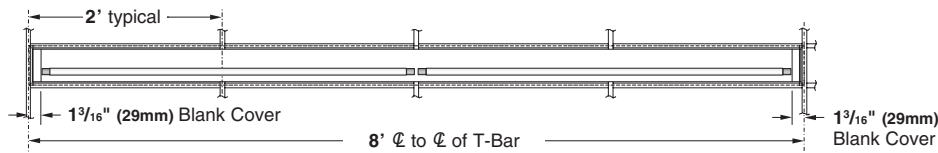
M1W1 Recessed - T-Bar Length - nominal 4 foot individual



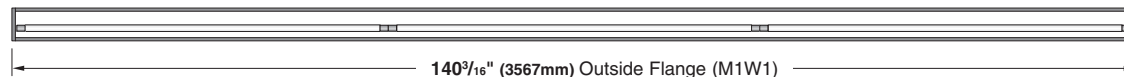
M1W1 Recessed - nominal 8 foot individual



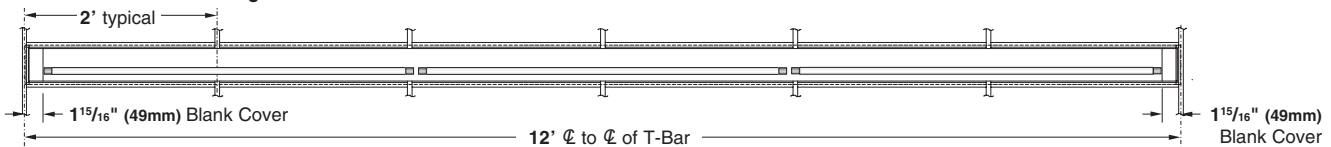
M1W1 Recessed - T-Bar Length - nominal 8 foot individual



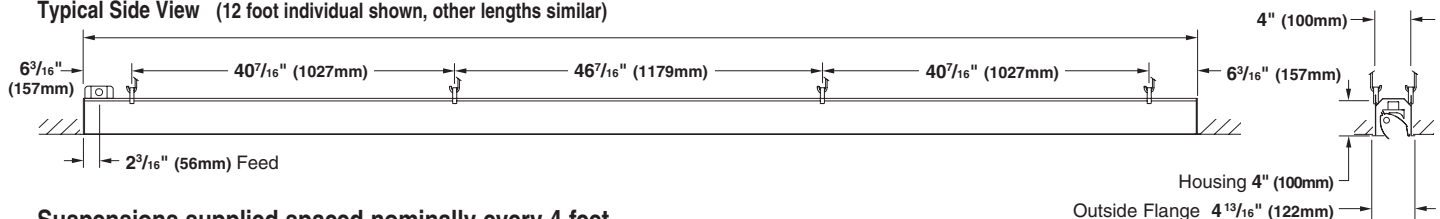
M1W1 Recessed - nominal 12 foot individual



M1W1 Recessed - T-Bar Length - nominal 12 foot individual



Typical Side View (12 foot individual shown, other lengths similar)



Suspensions supplied spaced nominally every 4 feet.

Fixture supplied with 7/8 knockout located 2 3/16" from end in top of fixture.

For other lengths, lamping, continuous runs or configurations please specify overall length (in feet), accessories desired and sketch/drawing of configuration. SELUX will detail project drawings upon order and supply submittal drawings for approval. Individual fixtures cannot be field joined. If you have any questions please contact SELUX customer service or applications engineering for assistance (1-800-SELUX-CS).

Continuous Flange (M1x1)



(M1R1 Shown)



(M1R2 Shown)

M100 Recessed Wall Washer Linear Fluorescent Slot Grid / Thick Ceiling Panel



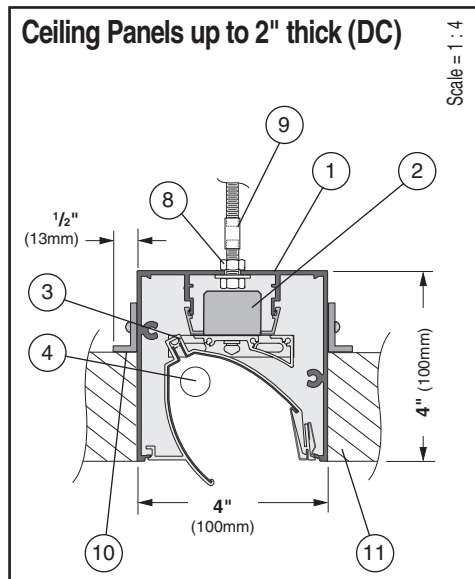
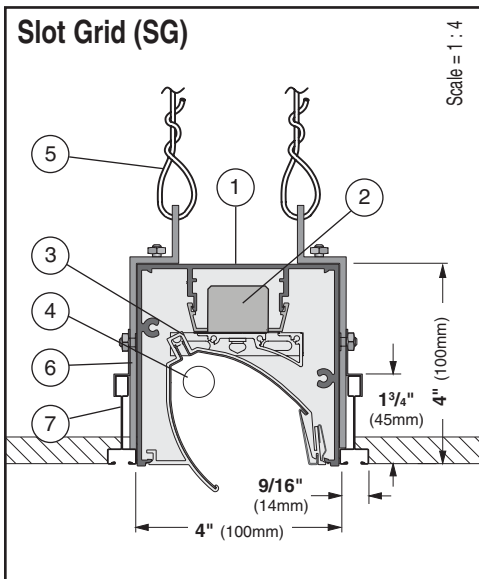
Project: _____ **Type:** _____ **Qty:** _____

M1W0	-	-	-	-	-	-
Fixture Series	Lamp Type	Mounting	Nominal Length	Finish	Voltage	
-	-	-	-	-	-	-

Options (refer to separate data sheets for ordering codes and details)

Fixture Series	Lamp Type	Mounting	Nominal Length	Finish	Voltage	Options
M1W0 M100 Wall Washer Multi-Mount Form	1T5 F28T5	SG Slot Grid	004 4 foot	WH White	120	TB Lengths to Fit 2' Grid T-Bar Ceiling System (qty.) EM Stand-by Battery Pack ¹ (prefix quantity, i.e. - 5EM) FS Single Fusing DM Dimming ¹ (specify system) DMA Digital Addressable Dimming ¹ FW Flex Whip (standard) FW1 Flex Whip (dimming) DL Suitable for Damp Locations CCEA Chicago Plenum
	1T5HO F54T5HO	DC Ceiling Panels up to 2" thick (lengths per submittal drawings)	008 8 foot	BK Black	277	
			012 12 foot	SV Silver	347	
For actual lengths see following page. For other lengths, configurations indicate nominal length rounded to the next highest foot. Factory will supply layout drawings. Individual fixtures cannot be field joined.				SP Specify RAL#		

¹ Must be low profile ballasts (Consult factory for details); consult factory for details.



1. Housing - Continuous, 6063-T5 extruded aluminum profile up to 16 feet long. Joined with Connector Plus Joining System for ease of installation and to assure a uniform appearance.

2. Ballast - Electronic, high power factor, class "P", type "A" sound rating. Specify 120v, 277v, or 347v. Ballast is factory pre-wired with leads to one end of fixture. Consult factory for ballast options.

3. Gear Tray - Extruded aluminum, with white painted finish. Gear tray installed as a complete electrical unit and is held in place with knurled dress nuts. It is fully accessible from below ceiling.

4. Lamps - As noted (by others). Other lamp lengths or wattages available, consult factory.

5. Support wire to structure - Supplied and installed by others.

6. Support bracket - Supplied nominally every four feet.

7. Slot grid beam and cross tees - Supplied and installed by others.

8. Pre-installed 1" 1/4-20 Stud - Attached to fixture every nominal 4 feet.

9. Coupling Hardware and Threaded Rod to Structure - Supplied and installed by others.

10. Aluminum angle brackets - Run entire length of fixture to block view into plenum area from below fixture.

11. Ceiling Panels up to 2" thick - Supplied and installed by others. Suitable for Decoustic[®] ceiling panel installations. Other ceiling systems possible, please consult factory. Decoustic[®] is a registered trademark of Decoustics Ltd. Corporation.

Interior Luminaire Finish - Standard interior colors are White (WH), Black (BK) and Silver (SV). RAL colors (SP) are available, please specify RAL#.

SELUX Corp. © 2006
 TEL: (845) 691-7723
 FAX: (845) 691-6749
 www.selux.com/USA
 M1W0_SG-01 (v5.0)



Union Made Affiliated
 with IBEW Local 363

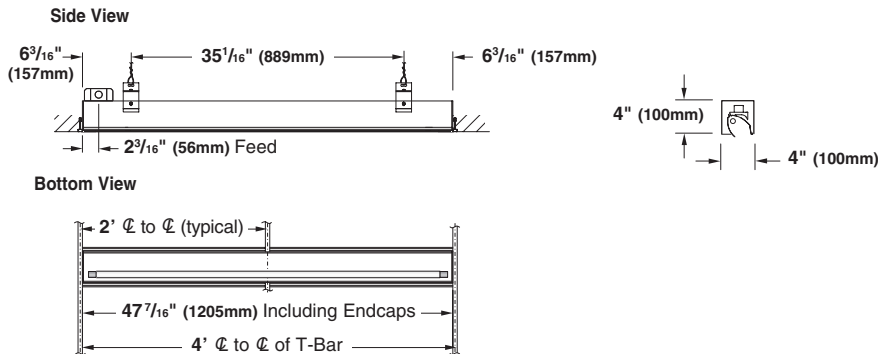
In a continuing effort to offer the best product possible, we reserve the right to change, without notice, specifications or materials that in our opinion will not alter the function of the product. Specification sheets found at www.selux.com/usa are the most recent versions and supercede all other printed or electronic versions.

M1W0 Slot Grid Layout Dimensions

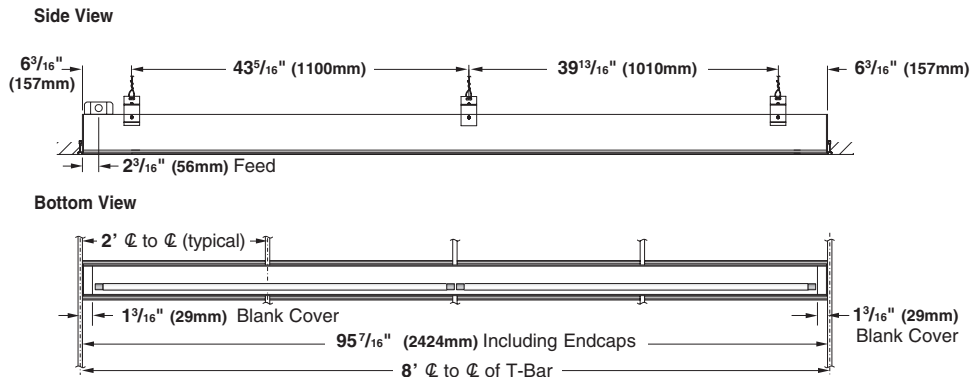
For T5 lamps only, for other lampping consult factory.

Nominal 4 foot Individual

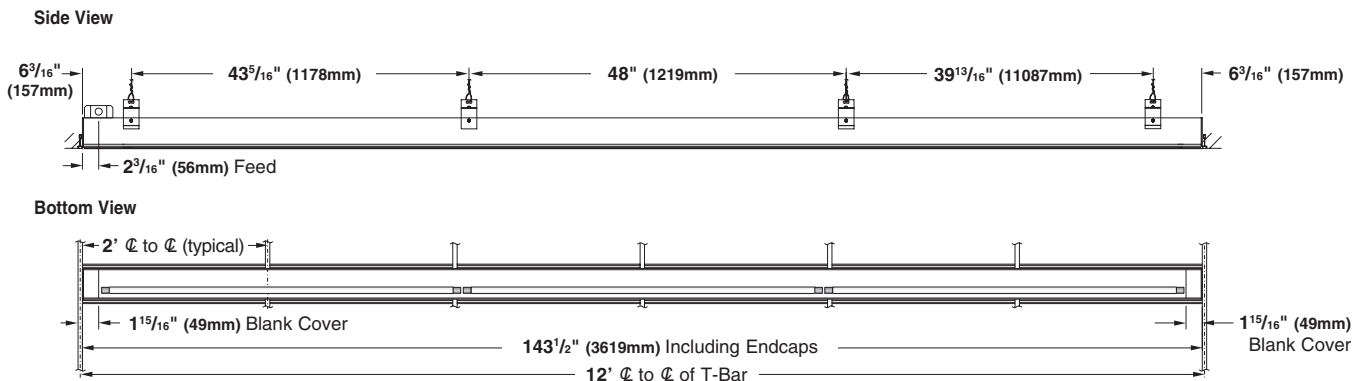
Typical End View (all lengths)



Nominal 8 foot Individual



Nominal 12 foot Individual



Fixture supplied with 7/8 knockout located 2⁹/₁₆" from end in top of fixture.

For other lengths, lampping, continuous runs or configurations please specify overall length (in feet), accessories desired and sketch/drawing of configuration. SELUX will detail project drawings upon order and supply submittal drawings for approval. Individual fixtures cannot be field joined. If you have any questions please contact SELUX customer service or applications engineering for assistance (1-800-SELUX-CS).

M100 Recessed Wall Washer Linear Fluorescent Spackle Flange

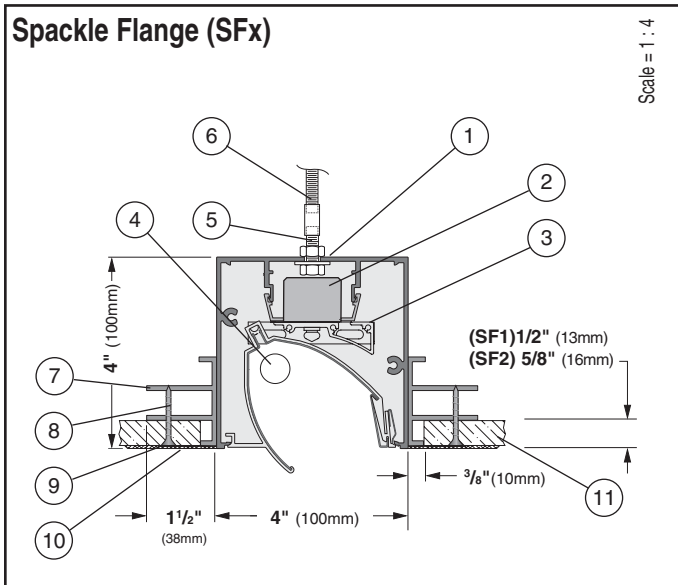


Project: _____ **Type:** _____ **Qty:** _____

M1W0	---	---	---	---	---
Fixture Series	Lamp Type	Mounting	Nominal Length	Finish	Voltage
---	---	---	---	---	---

Options (refer to separate data sheets for ordering codes and details)

Fixture Series	Lamp Type	Mounting	Nominal Length	Finish	Voltage	Options
M1W0 M100 Wall Washer Multi-Mount Form	1T5 F28T5	SF1 Spackle Flange (1/2" dry wall)	004 4 foot	WH White	120	TB Lengths to Fit 2' Grid T-Bar Ceiling System (qty.)EM Stand-by Battery Pack ¹ (prefix quantity, i.e. - 5EM) FS Single Fusing DM Dimming ¹ (specify system) DMA Digital Addressable Dimming ¹ FW Flex Whip (standard) FW1 Flex Whip (dimming) DL Suitable for Damp Locations CCEA Chicago Plenum
	1T5HO F54T5HO	SF2 Spackle Flange (5/8" dry wall)	008 8 foot	BK Black	277	
			012 12 foot	SV Silver	347	
				SP Specify RAL#		
¹ Must be low profile ballasts (Consult factory for details); consult factory for details.						



- Housing** - Continuous, 6063-T5 extruded aluminum profile up to 16 feet long. Joined with Connector Plus Joining System for ease of installation and to assure a uniform appearance.
- Ballast** - Electronic, high power factor, class "P", type "A" sound rating. Specify 120v, 277v, or 347v. Ballast is factory pre-wired with leads to one end of fixture. Consult factory for ballast options.
- Gear Tray** - Extruded aluminum with white painted finish. Gear tray installed as a complete electrical unit and is held in place with knurled dress nuts. It is fully accessible from below ceiling.
- Lamps** - As noted (by others). Other lamp lengths or wattages available, consult factory.
- Pre-installed 1" 1/4-20 Stud** - Attached to fixture every nominal 4 feet.
- Coupling Hardware and Threaded Rod to Structure** - Supplied and installed by others.
- Spackle Flange** - For 1/2" (SF1) or 5/8" (SF2) thick sheet rock, installed at factory.
- Dry Wall Screw** - Supplied and installed by others.
- Fiberglass Sheetrock Tape** - Supplied and installed by others.
- Plaster Skimcoat 1/16"** - Supplied and installed by others.
- Plaster Board** - Supplied and installed by others. For 1/4" thick specify SF1; for 5/8" thick specify SF2.

Interior Luminaire Finish - Standard interior colors are White (WH), Black (BK) and Silver (SV). RAL colors (SP) are available, please specify RAL#.

SELUX Corp. © 2006
 TEL: (845) 691-7723
 FAX: (845) 691-6749
 www.selux.com/USA
 M1W0_SF-01 (v5.0)



Union Made Affiliated
 with IBEW Local 363

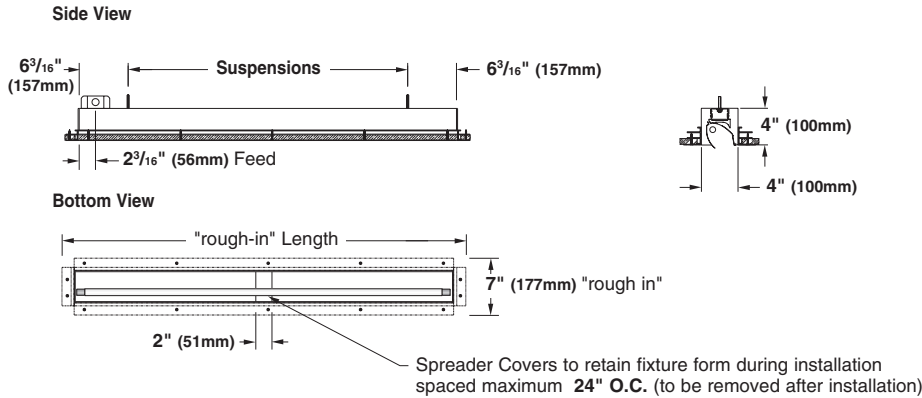
In a continuing effort to offer the best product possible, we reserve the right to change, without notice, specifications or materials that in our opinion will not alter the function of the product. Specification sheets found at www.selux.com/usa are the most recent versions and supercede all other printed or electronic versions.

M1W0 Spackle Flange Layout Dimensions

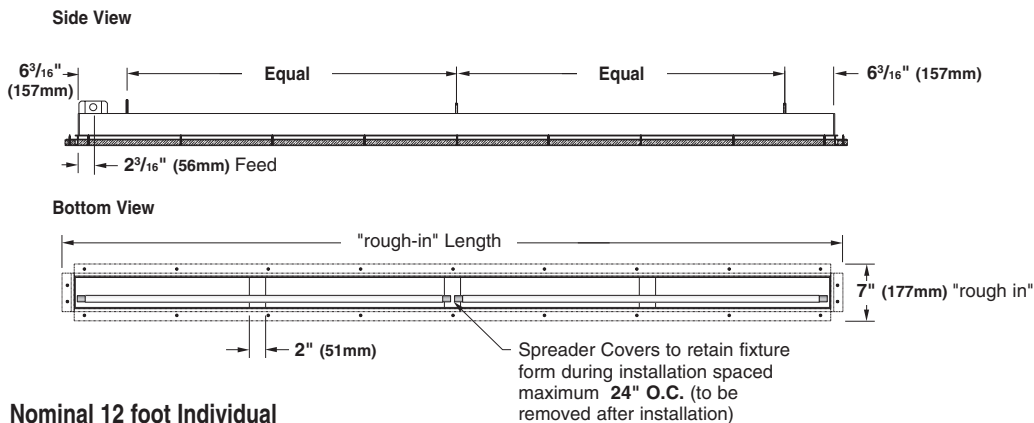
For T5 lamps only, for other lamping consult factory.

Nominal 4 foot Individual

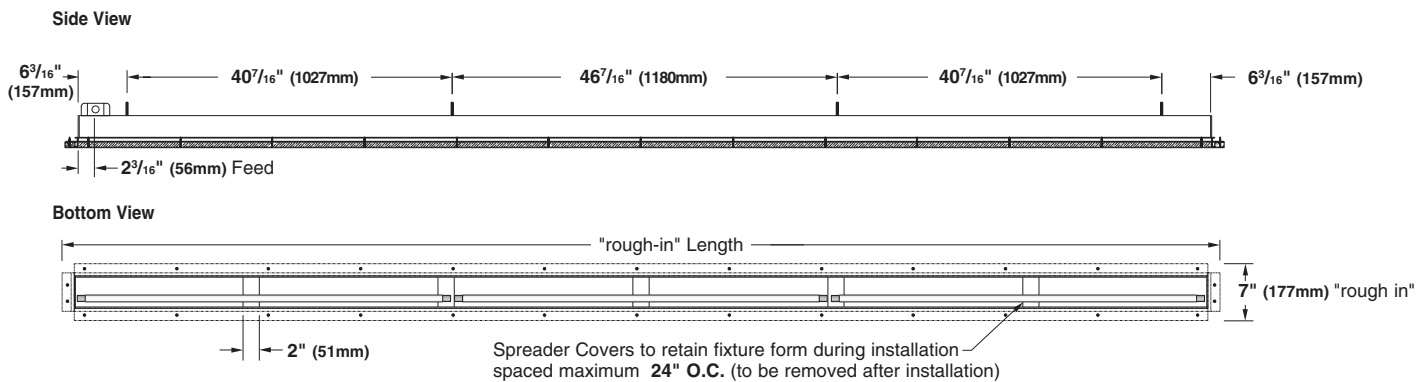
Typical End View (all lengths)



Nominal 8 foot Individual



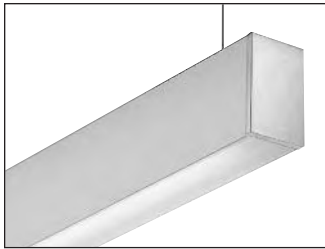
Nominal 12 foot Individual



Fixture supplied with 7/8 knockout located 2 3/16" from end in top of fixture.

For other lengths, lamping, continuous runs or configurations please specify overall length (in feet), accessories desired and sketch/drawing of configuration. SELUX will detail project drawings upon order and supply submittal drawings for approval. Individual fixtures cannot be field joined. If you have any questions please contact SELUX customer service or applications engineering for assistance (1-800-SELUX-CS).

M60 Linear Fluorescent Direct Surface, Pendant & Wall



Project: _____ **Type:** _____ **Qty:** _____

M60	---	---	---	---	---	---
Fixture Series	Lamp Type	Shielding	Mounting	Linear Footage	Finish	Voltage
---	---	---	---	---	---	---

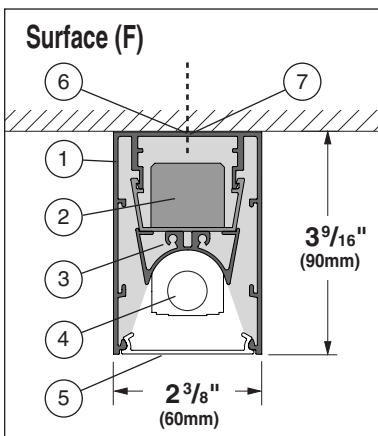
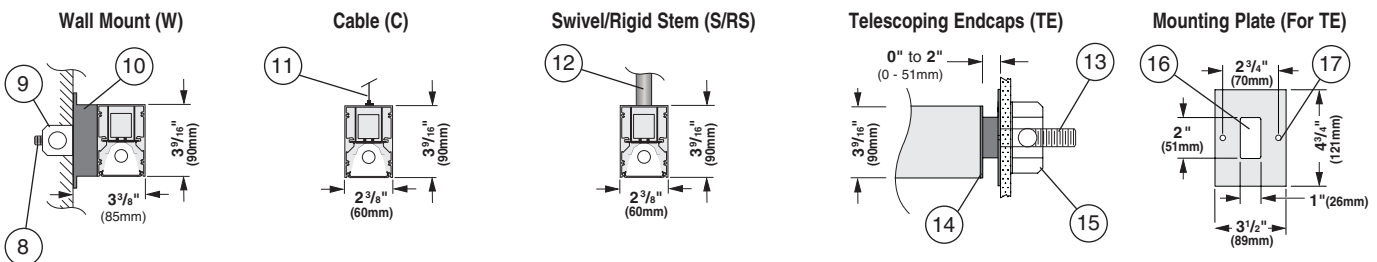
Options (refer to separate data sheets for ordering codes and details)

Fixture Series	Lamp Type	Shielding	Mounting	Linear Footage	Finish	Voltage	Options
M60 M60 Direct Multi-Mount Form	1T5 F28T5	MA Matte Parabolic	F Surface Mount	004 4 foot	WH White	120	(<i>qty.</i>) EM Stand-by Battery Pack ¹ (prefix quantity, i.e. - 5EM)
	1T5HO F54T5HO	MP Silky Specular Parabolic	C Cable	008 8 foot	BK Black	277	DM Dimming ¹ (specify system)
		SD Satine Lens	S Swivel Stem	012 12 foot	SV Silver	347	DMA Digital Addressable Dimming ¹
		OD Extra Diffuse Lens	RS Rigid Stem	For actual lengths see following page. For other lengths, configurations indicate nominal length rounded to the next highest foot. Factory will supply layout drawings. Individual fixtures cannot be field joined.	SP Specify RAL#		FS Single Fusing
			W Wall				SI Satine Acrylic Inlay (for MP Louver only)
			TE Telescoping Endcaps				FW Flex Whip (standard)
							FW1 Flex Whip (dimming)
							Track Eutrac Standard ²
							DL Suitable for Damp Locations
							Downlights (See MR11 spec sheet, pp.98)

¹Must be low profile ballasts (1³/₁₆" wide x 1³/₁₆" high); consult factory for details. ²Consult factory for details.

M60 Mounting Diagrams

Scale = 1 : 8



- Housing** - Continuous, 6063-T5 extruded aluminum profile up to 16 feet long.
- Ballast** - Electronic, high power factor, class "P", type "A" sound rating. Specify 120v, 277v, or 347v. Ballast is factory pre-wired with leads to one end of fixture. Consult factory for ballast options.
- Gear Tray** - Die formed tray with specular aluminum reflector. Gear tray installs as complete electrical unit and is held in place with 1/4 turn latches. It is fully accessible from below ceiling.
- Lamps** - As noted (by others). Other lamp lengths or wattages available; consult factory.
- Shielding** - Louvers offer excellent glare control in longitudinal, lateral, and all diagonal planes. High quality aluminum louvers and acrylic shielding allow true freedom of layout for today's modern spaces.

- Ø 9/32" Mounting Hole** - Drilled at factory 6 1/4" from end of fixture and nominally every 24". Mounting hardware supplied and installed by others.
- Ø 7/8" Feed Hole** - Drilled at factory 2 1/4" from end of fixture.
- Ø 3/8" Threaded Rod** - To anchor Wall Bracket, supplied and installed by others.
- Outlet Box** - (2" x 4") Mounted horizontally, supplied and installed by others.
- Wall Bracket** - Aluminum wall bracket provided nominally every 4'. See layout pages for details.
- 1/16" Aircraft Cable Suspension** - Supplied with chrome gripper for easy adjustment. 48" max suspension from ceiling to top of luminaire. (See p.100 for more details.)
- 5/8" Steel Swivel Stem or Rigid Stem Suspension** - Swivel Stem provides 30° swivel rotation and can

- be cut in field; Rigid Stem can not be cut in field. 48" max suspension from ceiling to top of luminaire. (See p. 100 for more details.)
- Ø 1/2" Threaded Rod and Mounting Hardware** - To anchor End Cap Support Bracket, supplied and installed by others.
 - End Cap Support Brackets** - Welded flush to end of fixture. Supplied with extruded aluminum cover profile. Two lock-down screws on bottom of fixture.
 - Outlet Box** - Supplied and installed by others at feed locations.
 - Feed Hole** - Centered in wall plate.
 - Ø 3/16" Mounting Holes (2)** - Horizontally centered in wall plate.
- Interior Luminaire Finish** - Standard interior colors are White (WH), Black (BK) and Silver (SV). RAL colors (SP) are available, please specify RAL#.

SELUX Corp. © 2006
 TEL: (845) 691-7723
 FAX: (845) 691-6749
 www.selux.com/usa
 M60-01 (v5.0)

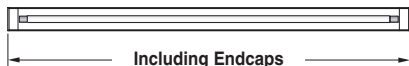


Union Made Affiliated
 with IBEW Local 363

In a continuing effort to offer the best product possible, we reserve the right to change, without notice, specifications or materials that in our opinion will not alter the function of the product. Specification sheets found at www.selux.com/usa are the most recent versions and supercede all other printed or electronic versions.

M60 Surface / Pendant / Wall Layout Dimensions

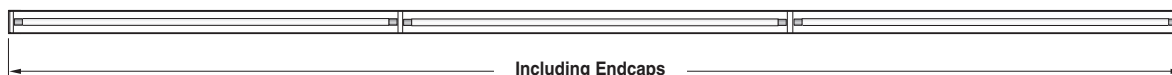
Nominal 4 foot individual - Bottom view



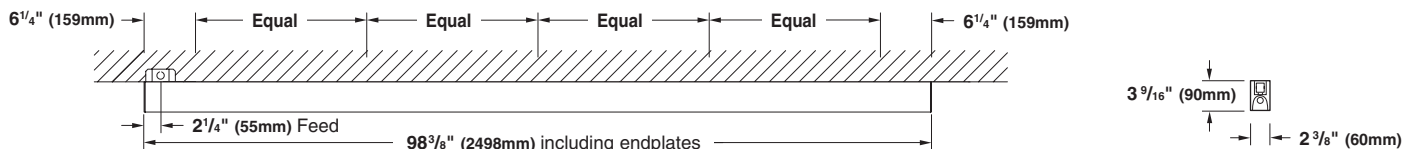
Nominal 8 foot individual - Bottom view



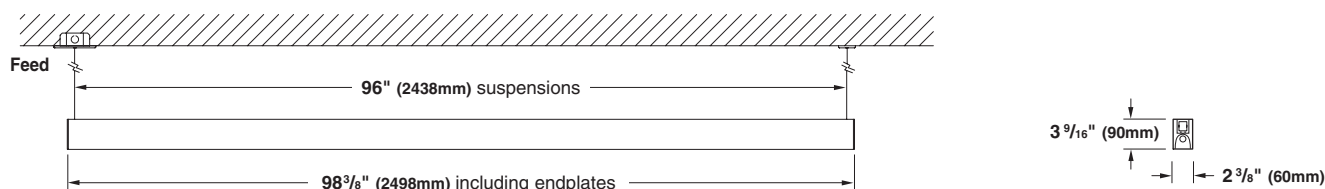
Nominal 12 foot individual - Bottom view



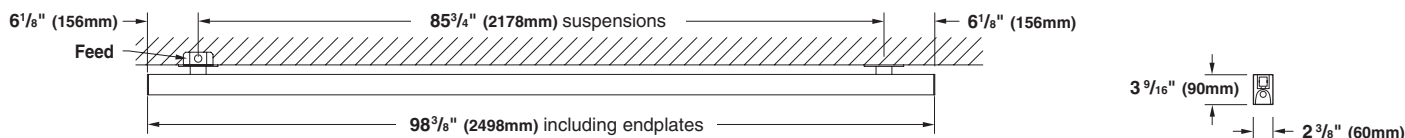
Typical Surface Mount - Side View (Supplied with 7/8 knockout located 2 1/4" from end in top of fixture.)



Typical Pendant Mount - Side View (8' Nominal individual shown)



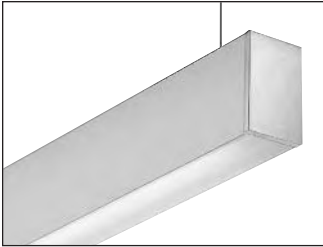
Typical Wall Mount - Top View (8' Nominal individual shown)



	T5 (1 or 2 lamp)		
	Including Endplates	Pendant Suspensions	Wall Suspensions
4 foot individual	50.34" (1279mm)	48.00" (1219mm)	37.84" (961mm)
8 foot individual	98.34" (2498mm)	96.00" (2438mm)	85.75" (2178mm)
12 foot individual	146.34" (3717mm)	144.00" (3658mm)	133.71" (3396mm)

For other lengths, lamping, continuous runs or configurations please specify overall length (in feet), accessories desired and sketch/drawing of configuration. SELUX will detail project drawings upon order and supply submittal drawings for approval. Individual fixtures cannot be field joined. If you have any questions please contact SELUX customer service or applications engineering for assistance (1-800-SELUX-CS).

M60 Linear Fluorescent Direct Surface, Pendant & Wall - STAGGERED LAMPS



Project: _____ **Type:** _____ **Qty:** _____

M60S	---	---	---	---	---	---
Fixture Series	Lamp Type	Shielding	Mounting	Linear Footage	Finish	Voltage
---	---	---	---	---	---	---

Options (refer to separate data sheets for ordering codes and details)

Fixture Series	Lamp Type	Shielding	Mounting	Linear Footage	Finish	Voltage	Options
M60S M60 Direct Staggered Lamps	1T5 F28T5	OD Extra Diffuse Lens	F Surface Mount	008 8 foot	WH White	120	(<i>qty.</i>) EM Stand-by Battery Pack ¹ (prefix quantity, i.e. - 5EM)
	1T5HO F54T5HO	SD Satine Lens	C Cable S Swivel Stem RS Rigid Stem W Wall TE Telescoping Endcaps	012 12 foot For actual lengths see following page. For other lengths, configurations indicate nominal length rounded to the next highest foot. Factory will supply layout drawings. Individual fixtures cannot be field joined.	BK Black SV Silver SP Specify RAL#	277 347	DM Dimming ¹ (specify system) DMA Digital Addressable Dimming ¹ FS Single Fusing SI Satine Acrylic Inlay (for MP Louver only) FW Flex Whip (standard) FW1 Flex Whip (dimming) Track Eutrac Standard ² DL Suitable for Damp Locations Downlights (See MR11 spec sheet, pp.98)

¹ Must be low profile ballasts (1 3/16" wide x 1 3/16" high); consult factory for details. ² Consult factory for details.

M60S Mounting Diagrams

Scale = 1 : 8

Wall Mount (W)

Cable (C)

Swivel/Rigid Stem (S/RS)

Telescoping Endcaps (TE)

Mounting Plate (For TE)

Surface (F)

- Housing** - Continuous, 6063-T5 extruded aluminum profile up to 16 feet long.
- Ballast** - Electronic, high power factor, class "P", type "A" sound rating. Specify 120v, 277v, or 347v. Ballast is factory pre-wired with leads to one end of fixture. Consult factory for ballast options.
- Gear Tray** - Die formed gear tray with integral factory preset sliding covers to fill extrusion with light, with a matt white finish for even illumination. Geartray installs as complete electrical unit and is held in place with knurled dress nuts. It is fully accessible from below ceiling.
- Lamps** - As noted (by others). Other lamp lengths or wattages available; consult factory.
- Shielding** - Choose between **OD** Extra Diffuse Lens and **SD** Satine Lens. See page 8 for more details.
- Ø 9/32" Mounting Hole** - Drilled at factory 6 1/4" from end of fixture and nominally every 24". Mounting hardware supplied and installed by others
- Ø 7/8" Feed Hole** - Drilled at factory 2 1/4" from end of fixture.
- Ø 3/8" Threaded Rod** - To anchor Wall Bracket, supplied and installed by others.
- Outlet Box** - (2" x 4") Mounted horizontally, supplied and installed by others.
- Wall Bracket** - Aluminum wall bracket provided nominally every 4'. See layout pages for details.
- 1/16" Aircraft Cable Suspension** - Supplied with chrome gripper for easy adjustment. 48" max suspension from ceiling to top of luminaire. (See p.100 for more details.)
- 5/8" Steel Swivel Stem or Rigid Stem Suspension** - Swivel Stem provides 30° swivel rotation and can be cut in field; Rigid Stem can not be cut in field. 48" max suspension from ceiling to top of luminaire. (See p. 100 for more details.)
- Ø 1/2" Threaded Rod and Mounting Hardware** - To anchor End Cap Support Bracket, supplied and installed by others.
- End Cap Support Brackets** - Welded flush to end of fixture. Supplied with extruded aluminum cover profile. Two lock-down screws on bottom of fixture (top for indirect fixtures).
- Outlet Box** - Supplied and installed by others at feed locations .
- Feed Hole** - Centered in wall plate.
- Ø 3/16" Mounting Holes (2)** - Horizontally centered in wall plate.

Interior Luminaire Finish - Standard interior colors are White (WH), Black (BK) and Silver (SV). RAL colors (SP) are available, please specify RAL#.

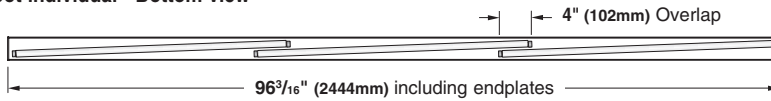
SELUX Corp. © 2006
 TEL: (845) 691-7723
 FAX: (845) 691-6749
 www.selux.com/usa
 M60S-01 (v5.0)



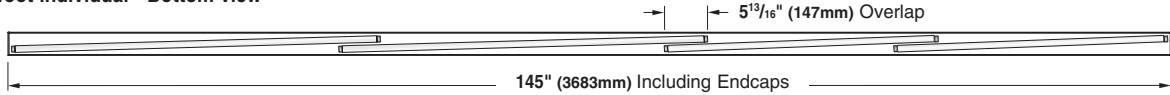
In a continuing effort to offer the best product possible, we reserve the right to change, without notice, specifications or materials that in our opinion will not alter the function of the product. Specification sheets found at www.selux.com/usa are the most recent versions and supercede all other printed or electronic versions.

M60S (Staggered Lamps) Surface / Pendant / Wall Layout Dimensions

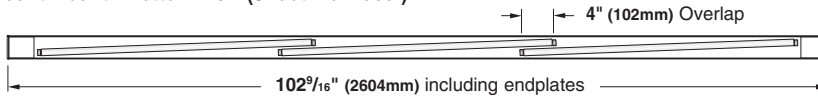
Nominal 8 foot individual - Bottom view



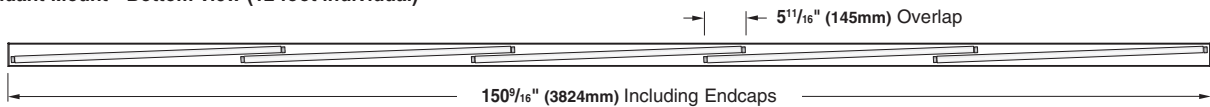
Nominal 12 foot individual - Bottom view



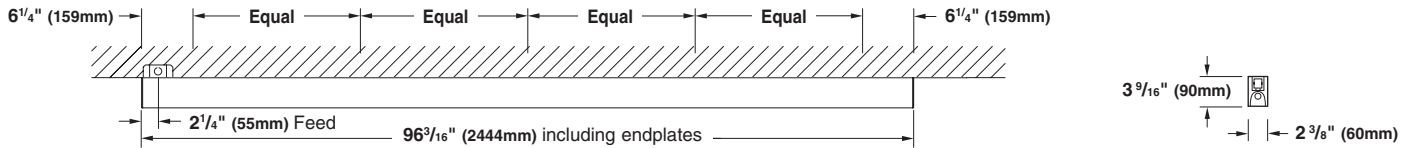
Nominal Pendant Mount - Bottom view (8 foot individual)



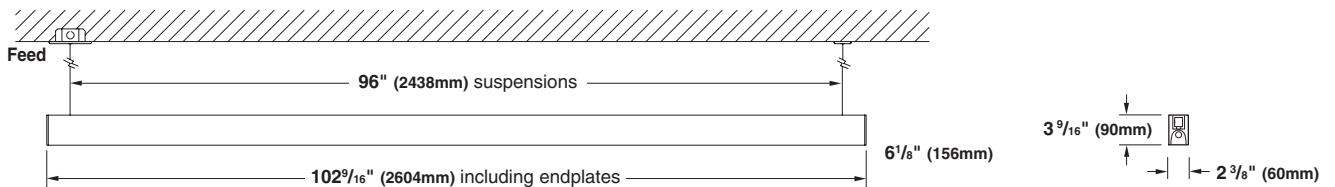
Nominal Pendant Mount - Bottom view (12 foot individual)



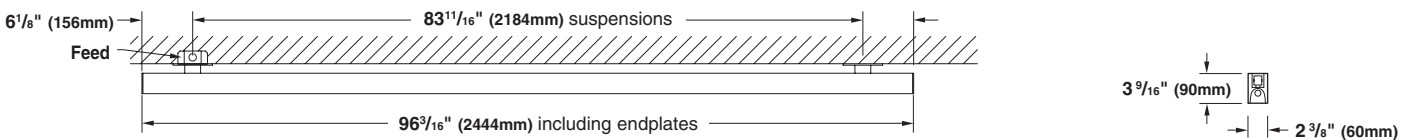
Typical Surface Mount - Side View (8' Nominal individual shown; Supplied with 7/8 knockout located 2 1/4" from end in top of fixture.)



Typical Pendant Mount - Side View (8' Nominal individual shown)



Typical Wall Mount - Top View (8' Nominal individual shown)



	1T5 / 1T5HO			
	Including Endplates (Surface, Wall)	Including Endplates (Pendant)	Pendant Suspensions	Wall Suspensions
8 foot individual	96.22" (2444mm)	102.56" (2604mm)	96.00" (2434mm)	83.68" (2126mm)
12 foot individual	145.00" (3683mm)	150.56" (3824mm)	144.00" (3758mm)	132.43" (3364mm)

For other lengths, lamings, continuous runs or configurations please specify overall length (in feet), accessories desired and sketch/drawing of configuration. SELUX will detail project drawings upon order and supply submittal drawings for approval. Individual fixtures cannot be field joined. If you have any questions please contact SELUX customer service or applications engineering for assistance (1-800-SELUX-CS).

M100 Linear Fluorescent Direct Surface, Pendant & Wall



Project: _____ **Type:** _____ **Qty:** _____

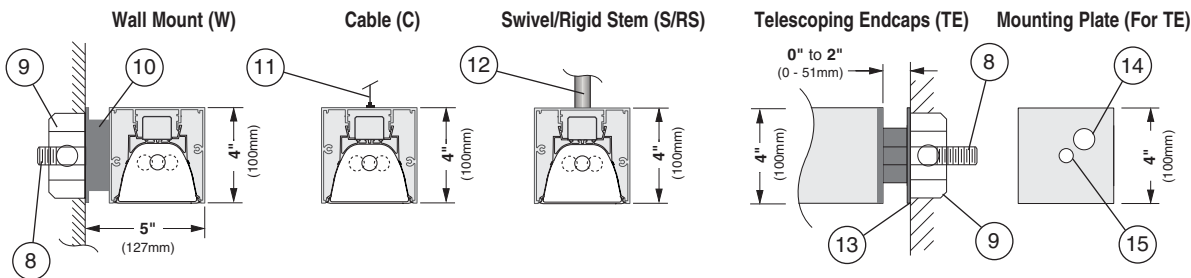
M10	---	---	---	---	---	---
Fixture Series	Lamp Type	Shielding	Mounting	Linear Footage	Finish	Voltage
---	---	---	---	---	---	---

Options (refer to separate data sheets for ordering codes and details)

Fixture Series	Lamp Type	Shielding	Mounting	Nominal Length	Finish	Voltage	Options
M10 M100 Direct Multi-Mount Form	1T5 F28T5	SA Specular Parabolic	F Surface Mount	004 4 foot	WH White	120	(qty.) EM Stand-by Battery Pack ¹ (prefix quantity, i.e. - 5EM) DM Dimming ¹ (specify system) DMA Digital Addressable Dimming ¹ FS Single Fusing SI Satine Acrylic Inlay ³ FW Flex Whip (standard) FW1 Flex Whip (dimming) Track Eutrac Standard ² DL Suitable for Damp Locations Downlights (See MR16 spec sheets, pp.98-99)
	2T5 (2x)F28T5	MA Matte Parabolic	C Cable	008 8 foot	BK Black	277	
	1T5HO F54T5HO	MP Silky Specular Parabolic	S Swivel Stem	012 12 foot	SV Silver	347	
	1T8 F032/T8	PL Matte Perforated Parabolic	RS Rigid Stem	For actual lengths see following page. For other lengths, configurations indicate nominal length rounded to the next highest foot. Factory will supply layout drawings. Individual fixtures cannot be field joined.	SP Specify RAL#		
	SD Satine Lens	W Wall Mount					
	OD Extra Diffuse Lens	TE Telescoping Endcaps					
	X None						

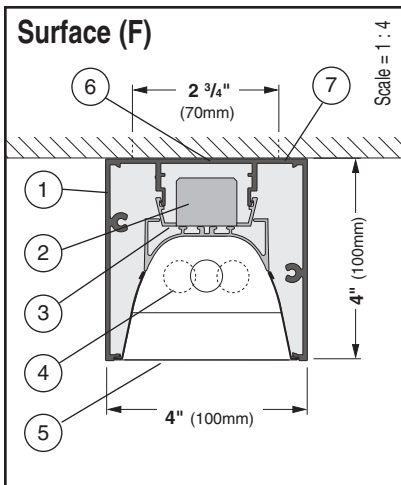
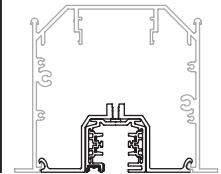
¹Must be low profile ballasts (1 1/2" W x 1 3/16" H); consult factory for details. ²Consult factory for details. ³SA, MA, MP & PL shieldings only.

Mounting Diagrams



Track

Track insert including track available for all configurations, consult factory for details.



1. Housing - Continuous, 6063-T5 extruded aluminum profile up to 16 feet long. Joined with Connector Plus Joining System for ease of installation and to assure a uniform appearance.

2. Ballast - Electronic, high power factor, class "P", type "A" sound rating. Specify 120v, 277v, or 347v. Ballast is factory pre-wired with leads to one end of fixture. Consult factory for ballast options.

3. Gear Tray - Extruded aluminum, with white painted finish. Gear tray installed as a complete electrical unit and is held in place with knurled dress nuts. It is fully accessible from below ceiling.

4. Lamps - As noted (by others). Other lamp lengths or wattages available, consult factory.

5. Shielding - Louvers offer excellent glare control in longitudinal, lateral, and all diagonal planes. High quality aluminum louvers and

acrylic shielding allow true freedom of layout for today's modern spaces.

6. Ø 7/8" Feed Hole - Drilled at factory 2 1/4" from end of fixture.

7. Ø 9/32" Mounting Holes (2) - Drilled at factory 6 1/4" from end of fixture and nominally every 24" Mounting hardware supplied and installed by others

8. Ø 1/2" Threaded Rod and Mounting Hardware - To anchor End Cap Support Bracket/Wall Bracket, supplied and installed by others.

9. Outlet Box - Supplied and installed by others.

10. Wall Bracket - Aluminum Wall Bracket provided nominally every 4'. See layout pages for details.

11. 1/16" Aircraft Cable Suspension - Supplied with chrome gripper for easy adjust-

ment. 48" max suspension from ceiling to top of luminaire. (See p.100 for more details.)

12. 5/8" Steel Swivel Stem or Rigid Stem Suspension - Swivel Stem provides 30° swivel rotation and can be cut in field; Rigid Stem can not be cut in field. 48" max suspension from ceiling to top of luminaire. (See p. 100 for more details.)

13. End Cap Support Brackets - Welded flush to end of fixture. Supplied with extruded aluminum cover profile. Two lock-down screws on bottom of fixture.

14. Ø 7/8" Feed Hole - In wall plate offset from center.

15. Ø 9/16" Mounting Hole - Centered in wall plate.

Interior Luminaire Finish - Standard interior colors are White (WH), Black (BK) and Silver (SV). RAL colors (SP) are available, please specify RAL#.

SELUX Corp. © 2006
 TEL: (845) 691-7723
 FAX: (845) 691-6749
 www.selux.com/usa
 M100-01 (v5.0)



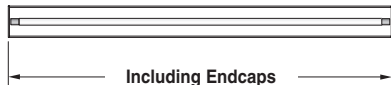
Union Made Affiliated
 with IBEW Local 363

In a continuing effort to offer the best product possible, we reserve the right to change, without notice, specifications or materials that in our opinion will not alter the function of the product. Specification sheets found at www.selux.com/usa are the most recent versions and supercede all other printed or electronic versions.

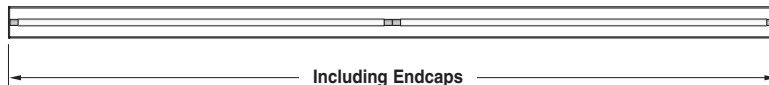
M10 Surface / Pendant / Wall Layout Dimensions

Specify T5 lamps when using in grid ceiling systems where 24" or 48" light openings are required.

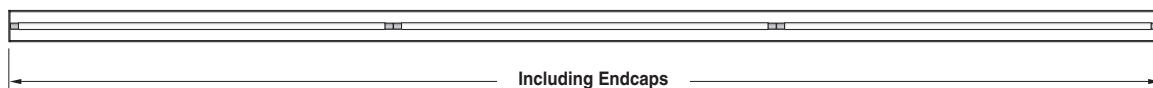
Nominal 4 foot individual - Bottom view



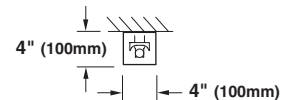
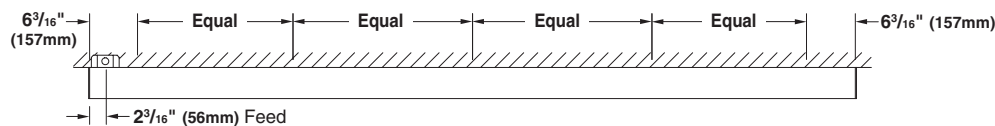
Nominal 8 foot individual - Bottom view



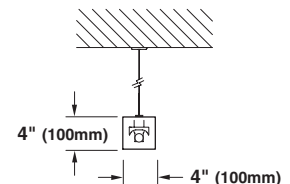
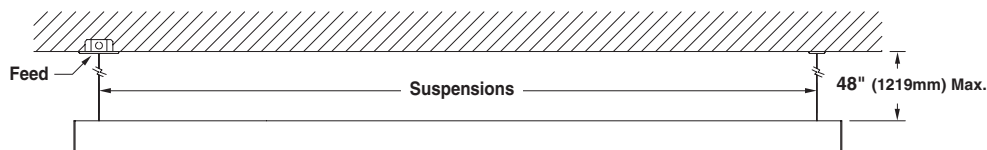
Nominal 12 foot individual - Bottom view



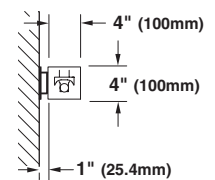
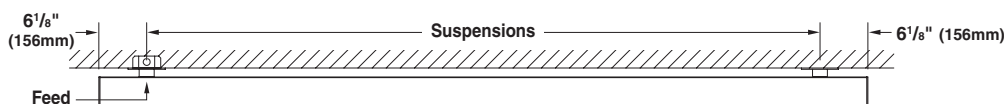
Typical Surface Mount Side View (Fixture supplied with 7/8 knockout located 2 3/16" from end in top of fixture.)



Typical Pendant Mount - Side View



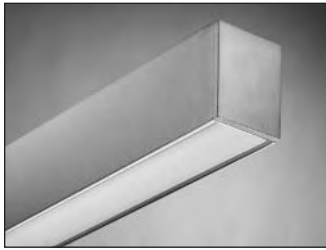
Typical Wall Mount - Top View



	T5 (1 or 2 lamp)			T8 (1 lamp)		
	Including Endplates	Pendant Suspensions	Wall Suspensions	Including Endplates	Pendant Suspensions	Wall Suspensions
4 foot individual	46.81" (1189mm)	40.46" (1027mm)	34.46" (875mm)	48.37" (1229mm)	42.08" (1069mm)	36.08" (916mm)
8 foot individual	93.21" (2368mm)	86.88" (2206mm)	80.87" (2054mm)	96.41" (2449mm)	90.12" (2289mm)	84.12" (2137mm)
12 foot individual	139.65" (3547mm)	133.28" (3385mm)	127.29" (3233mm)	144.45" (3669mm)	138.16" (3509mm)	132.16" (3357mm)

For other lengths, lamping, continuous runs or configurations please specify overall length (in feet), accessories desired and sketch/drawing of configuration. SELUX will detail project drawings upon order and supply submittal drawings for approval. Individual fixtures cannot be field joined. If you have any questions please contact SELUX customer service or applications engineering for assistance (1-800-SELUX-CS).

M100 Linear Fluorescent Direct Surface, Pendant & Wall - STAGGERED LAMPS



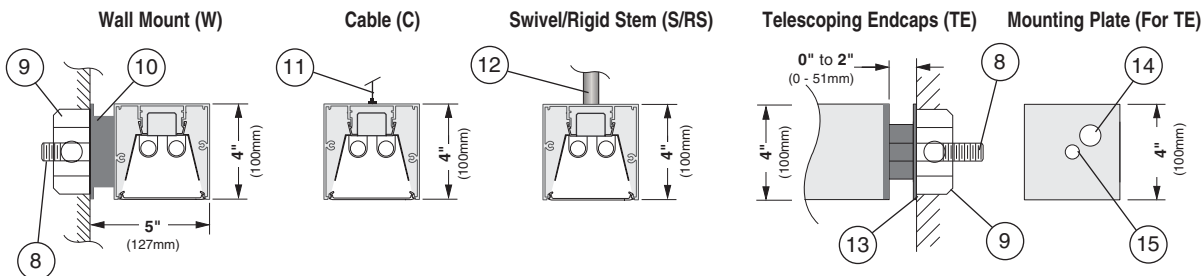
Project: _____ **Type:** _____ **Qty:** _____

M10S	---	---	---	---	---	---
Fixture Series	Lamp Type	Shielding	Mounting	Linear Footage	Finish	Voltage
---	---	---	---	---	---	---

Options (refer to separate data sheets for ordering codes and details)

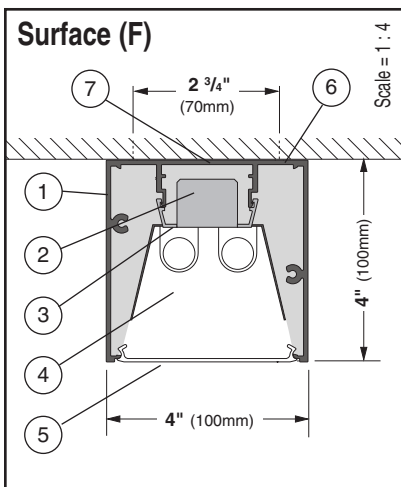
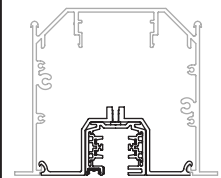
Fixture Series	Lamp Type	Shielding	Mounting	Nominal Length	Finish	Voltage	Options
M10S M100 Direct Multi-Mount Form Staggered Lamps	1T5 F28T5	OD Extra Diffuse Lens	F Surface Mount	008 8 foot	WH White	120	(qty)EM Stand-by Battery Pack ¹ (prefix quantity, i.e. - 5EM)
	1T5HO F54T5HO	SD Satine Lens	C Cable	012 12 foot	BK Black	277	FS Single Fusing
	2T5 (2x)F28/T5		S Swivel Stem RS Rigid Stem W Wall Mount TE Telescoping Endcaps	For actual lengths see following page. For other lengths, configurations indicate nominal length rounded to the next highest foot. Factory will supply layout drawings. Individual fixtures cannot be field joined.	SV Silver SP Specify RAL#	347	DM Dimming ¹ (specify system) DMA Digital Addressable Dimming ¹ SI Satine Acrylic Inlay ³ FW Flex Whip (standard) FW1 Flex Whip (dimming) Track Eutrac Standard ² DL Suitable for Damp Locations Downlights (See MR16 spec sheets, pp.98-99)
¹ Must be low profile ballasts (1 1/2" W x 1 3/16" H); consult factory for details. ² Consult factory for details. ³ SA, MA, MP & PL shieldings only.							

Mounting Diagrams



Track

Track insert including track available for all configurations, consult factory for details.



1. Housing - Continuous, 6063-T5 extruded aluminum profile up to 16 feet long. Joined with Connector Plus Joining System for ease of installation and to assure a uniform appearance.

2. Ballast - Electronic, high power factor, class "P", type "A" sound rating. Specify 120v, 277v, or 347v. Ballast is factory pre-wired with leads to one end of fixture. Consult factory for ballast options.

3. Gear Tray - Die formed gear tray with integral factory preset sliding covers to fill extrusion with light, with a matt white finish for even illumination. Geartray installs as complete electrical unit and is held in place with knurled dress nuts. It is fully accessible from below ceiling.

4. Lamps - As noted (by others). Other lamp lengths or wattages available, consult factory.

5. Shielding - Choose between OD Extra Diffuse Lens and SD Satine Lens. See page 8 for more details.

6. Ø 9/32" Mounting Holes (2) - Drilled at factory 6 1/4" from end of fixture and nominally every 24" Mounting hardware supplied and installed by others

7. Ø 7/8" Feed Hole - Drilled at factory 2 1/4" from end of fixture.

8. Ø 1/2" Threaded Rod and Mounting Hardware - To anchor End Cap Support Bracket/Wall Bracket, supplied and installed by others.

9. Outlet Box - (4" x 4") Supplied and installed by others at feed locations only.

10. Wall Bracket - Aluminum Wall Bracket provided nominally every 4'. See layout pages for details.

11. 1/16" Aircraft Cable Suspension - Supplied with chrome gripper for easy adjustment. 48" max suspension from ceiling to top of luminaire. (See p.100 for more details.)

12. 5/8" Steel Swivel Stem or Rigid Stem Suspension - Swivel Stem provides 30° swivel rotation and can be cut in field; Rigid Stem can not be cut in field. 48" max suspension from ceiling to top of luminaire. (See p. 100 for more details.)

13. End Cap Support Brackets - Welded flush to end of fixture. Supplied with extruded aluminum cover profile. Two lock-down screws on bottom of fixture.

14. Ø 7/8" Feed Hole - In wall plate offset from center.

15. Ø 9/16" Mounting Hole - Centered in wall plate.

Interior Luminaire Finish - Standard interior colors are White (WH), Black (BK) and Silver (SV). RAL colors (SP) are available, please specify RAL

SELUX Corp. © 2006
TEL: (845) 691-7723
FAX: (845) 691-6749
www.selux.com/usa
M10S-01 (v5.0)

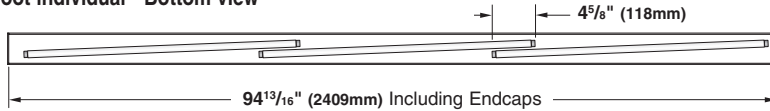


Union Made Affiliated
with IBEW Local 363

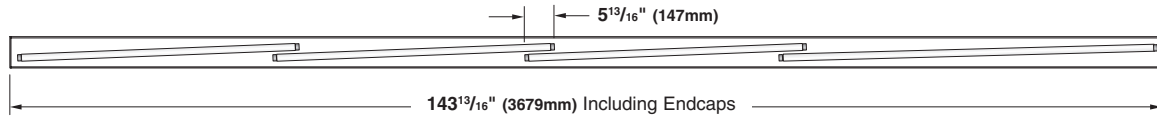
In a continuing effort to offer the best product possible, we reserve the right to change, without notice, specifications or materials that in our opinion will not alter the function of the product. Specification sheets found at www.selux.com/usa are the most recent versions and supercede all other printed or electronic versions.

M10S (Single Staggered Lamps) Surface / Pendant / Wall Layout Dimensions

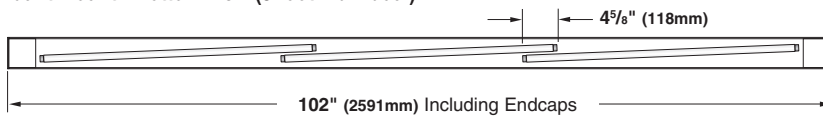
Nominal 8 foot individual - Bottom view



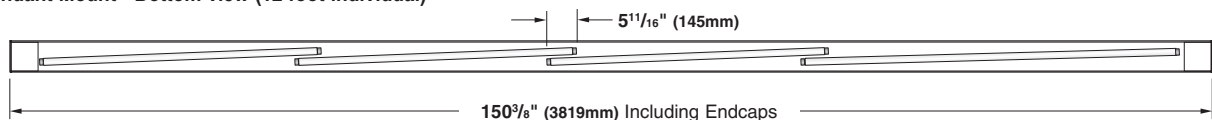
Nominal 12 foot individual - Bottom view



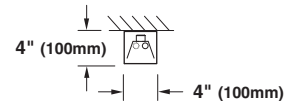
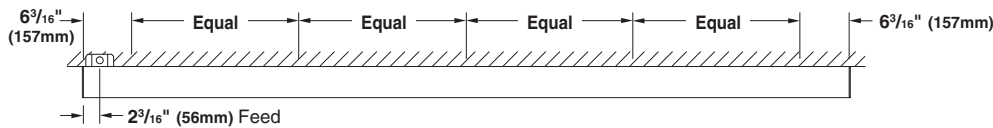
Nominal Pendant Mount - Bottom view (8 foot individual)



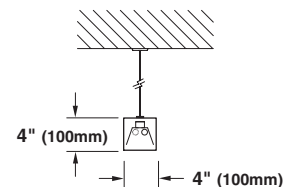
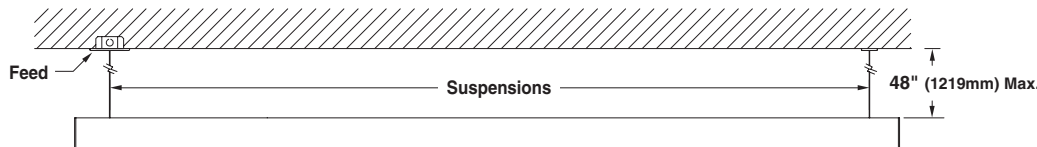
Nominal Pendant Mount - Bottom view (12 foot individual)



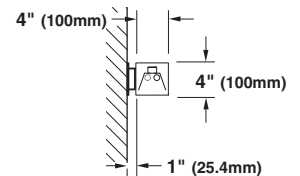
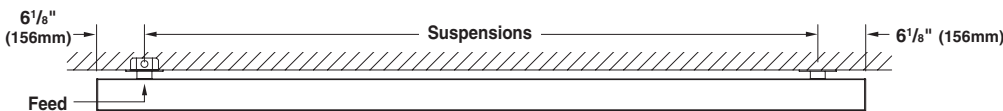
Typical Surface Mount - Side View (Fixture supplied with 7/8 knockout located 2 3/16" from end in top of fixture.)



Typical Pendant Mount - Side View



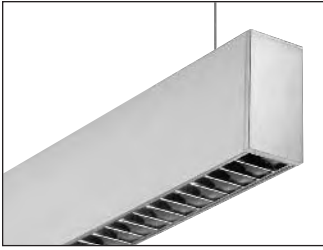
Typical Wall Mount - Top View



	T5 (1 or 2 lamp)			
	Including Endplates (Surface, Wall)	Including Endplates (Pendant)	Pendant Suspensions	Wall Suspensions
8 foot individual	94.84" (2409mm)	102.00" (2591mm)	96.00" (2438mm)	82.50" (2096mm)
12 foot individual	144.81" (3678mm)	150.38" (3819mm)	144.00" (3658mm)	132.46" (3364mm)

For other lengths, lamping, continuous runs or configurations please specify overall length (in feet), accessories desired and sketch/drawing of configuration. SELUX will detail project drawings upon order and supply submittal drawings for approval. Individual fixtures cannot be field joined. If you have any questions please contact SELUX customer service or applications engineering for assistance (1-800-SELUX-CS).

M60 Linear Fluorescent Direct/Indirect Pendant & Wall



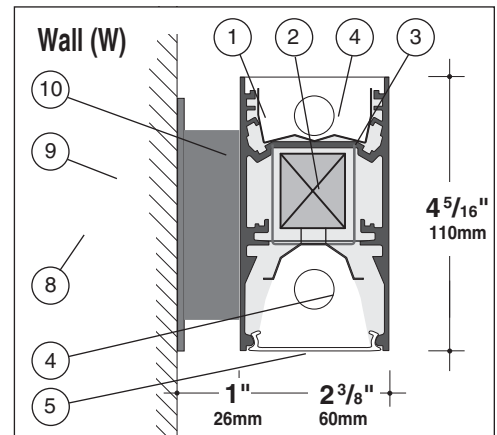
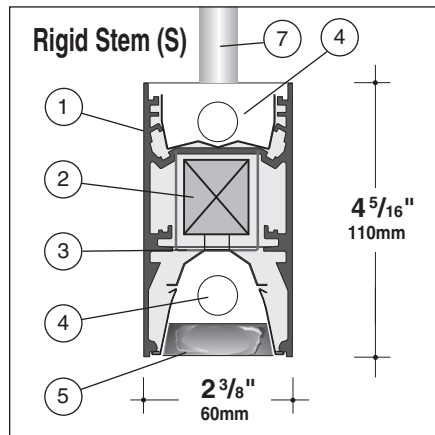
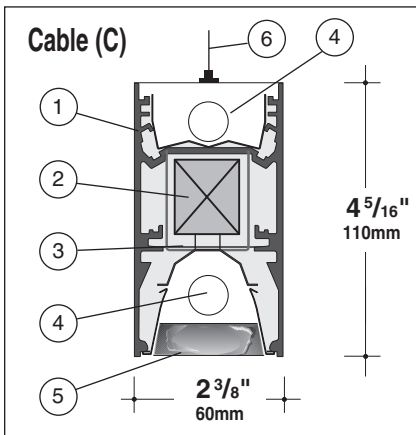
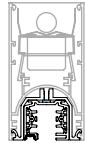
Project: _____ **Type:** _____ **Qty:** _____

M6DI	-	-	-	-	-	-	-
Fixture Series	Lamp Type	Shielding	Mounting	Linear Footage	Finish	Voltage	
-	-	-	-	-	-	-	-

Options (refer to separate data sheets for ordering codes and details)

Fixture Series	Lamp Type	Direct Shielding	Mounting	Linear Footage	Finish	Voltage	Options
M6DI M60 Direct/Indirect	2T5 2 x F28T5	MA Matte Parabolic	C Cable	004 4 foot	WH White	120	(qty.)EM Stand-by Battery Pack ¹ (prefix quantity, i.e. - 5EM)
	2T5HO 2 x F54T5HO	MP Silky Specular Parabolic	S Stem	008 8 foot	BK Black	277	FS Single Fusing
		SD Satine Lens	RS Rigid Stem	012 12 foot	SV Silver	347	DM Dimming ¹ (specify desired system)
		OD Extra Diffuse Lens	W Wall		SP Specify RAL#		DMA Digital Addressable Dimming ¹
				For other lengths/ configurations, indicate nominal length rounded to the next highest foot using three digits. Factory will supply layout drawings. Individual fixtures cannot be field joined.			SI Satine Acrylic Inlay (for MP Louver only)
							Track Eutrac Standard ²
							DL Suitable for Damp locations
							Downlights (See MR11 spec sheet, pp.98)
							Track insert including track available for all configurations, consult factory for details.

¹Must be low profile ballasts (1³/₁₆" wide x 1³/₁₆" high); consult factory for details. ²Consult factory for details.



1. Housing - Continuous, 6063-T5 extruded aluminum profile up to 16 feet long.

2. Ballast - Electronic, high power factor, class "P", type "A" sound rating. Specify 120v, 277v, or 347v. Ballast is factory pre-wired with leads to one end of fixture. Consult factory for ballast options.

3. Gear Tray - Die formed tray with specular aluminum reflector. Gear tray installs as complete electrical unit and is held in place with 1/4 turn latches. It is fully accessible from below ceiling.

4. Lamps - As noted (by others). Other lamp lengths or wattages available; consult factory.

5. Shielding - Choose MP Silky Specular Parabolic aluminum louver, SD Satine Lens, and OD

Extra Diffuse Lens for direct shielding only.

6. 1/16" Aircraft Cable Suspension - Supplied with chrome gripper for easy adjustment. 48" max suspension from ceiling to top of luminaire. (See p.100 for more details.)

7. 5/8" Steel Swivel Stem or Rigid Stem Suspension - Swivel Stem provides 30° swivel rotation and can be cut in field; Rigid Stem is not field cut-able. 48" max suspension from ceiling to top of luminaire. (See p. 100 for details.)

8. Ø3/8" Threaded Rod - To anchor Wall Bracket supplied and installed by others.

9. Outlet box - (4" x 4") Supplied and installed by others at feed locations only.

10. Wall Bracket - Aluminum Wall Bracket provided nominally every 4'. See layout pages for details.

Interior Luminaire Finish - Standard interior colors are White (WH), Black (BK) and Silver (SV). RAL colors (SP) are available, please specify RAL#.

SELUX Corp. © 2006

TEL: (845) 691-7723

FAX: (845) 691-6749

www.selux.com/usa

M6DI-01 (v5.0)

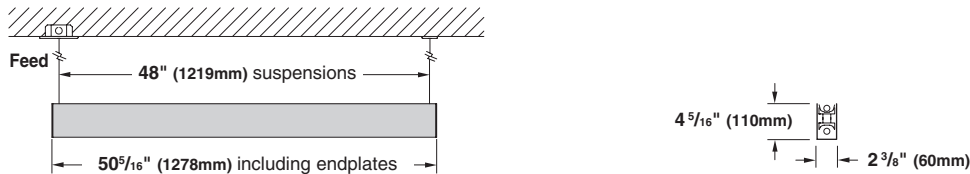


Union Made Affiliated
with IBEW Local 363

In a continuing effort to offer the best product possible, we reserve the right to change, without notice, specifications or materials that in our opinion will not alter the function of the product. Specification sheets found at www.selux.com/usa are the most recent versions and supercede all other printed or electronic versions.

M6DI Pendant Mount/Wall Standard Layout Dimensions

Nominal 4 foot Individual - side view



Nominal 4 foot Individual - top view



Nominal 8 foot Individual - top view



Nominal 12 foot Individual - top view

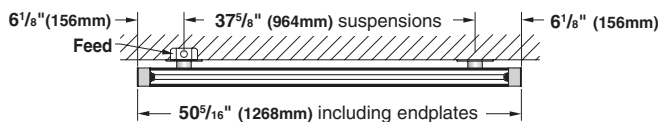


M6DI Wall Layout Dimensions (option - W)

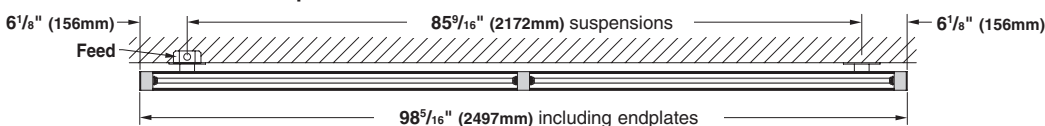
Nominal 4 foot Individual - side view



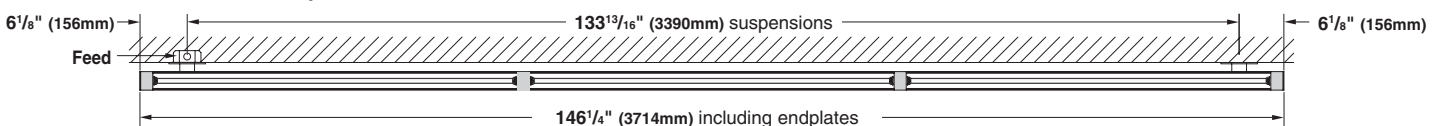
Nominal 4 foot Individual - top view



Nominal 8 foot Individual - top view



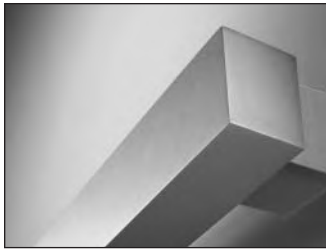
Nominal 12 foot Individual - top view



	T5 (1 or 2 lamp)		
	Including Endplates	Pendant Suspensions	Wall Suspensions
4 foot individual	50.31" (1278mm)	48.00" (1219mm)	37.59" (954mm)
8 foot individual	98.31" (2497mm)	96.00" (2438mm)	85.53" (2172mm)
12 foot individual	146.25" (3714mm)	144.00" (3658mm)	133.46" (3390mm)

For other lengths, lamping, continuous runs or configurations please specify overall length (in feet), accessories desired and sketch/drawing of configuration. SELUX will detail project drawings upon order and supply submittal drawings for approval. Individual fixtures cannot be field joined. If you have any questions please contact SELUX customer service or applications engineering for assistance (1-800-SELUX-CS).

M60 Linear Fluorescent Indirect Pendant & Wall



Project: _____ **Type:** _____ **Qty:** _____

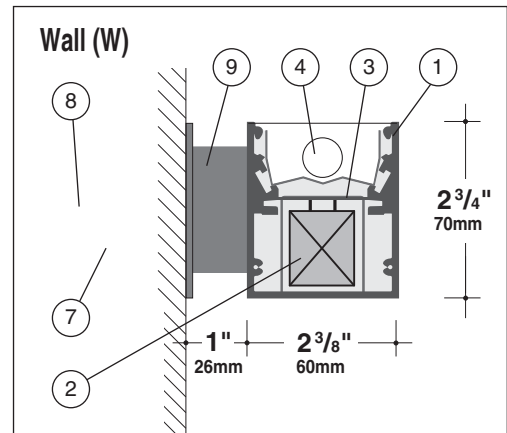
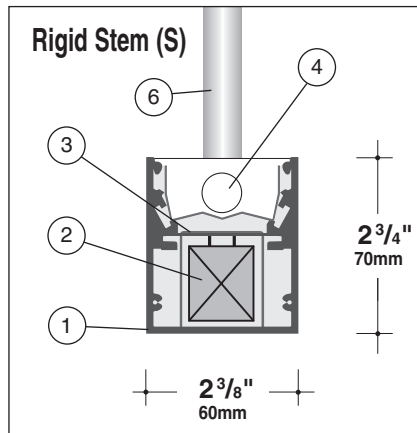
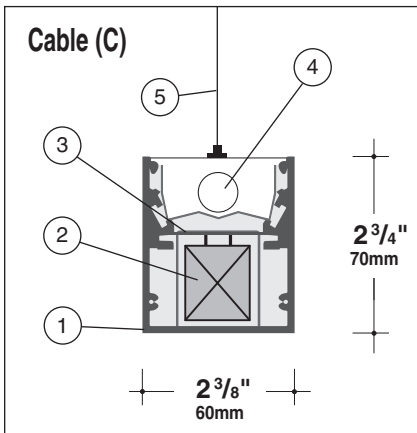
M6S	-	-	-	-	-	-	-
Fixture Series	Lamp Type	Shielding	Mounting	Linear Footage	Finish	Voltage	
-	-	-	-	-	-	-	-

Options (refer to separate data sheets for ordering codes and details)

Fixture Series	Lamp Type	Shielding	Mounting	Linear Footage	Finish	Voltage	Options
M6S M60 Indirect	1T5 F28T5 1T5HO F54T5HO	X None	C Cable S Stem RS Rigid Stem W Wall TE Telescoping End Caps ¹	004 4 foot 008 8 foot 012 12 foot For other lengths/configurations, indicate nominal length rounded to the next highest foot using three digits. Factory will supply layout drawings. Individual fixtures cannot be field joined.	WH White BK Black SV Silver SP Specify RAL#	120 277 347	(qty.)EM Stand-by Battery Pack ² (prefix quantity, i.e. - 5EM) FS Single Fusing DM Dimming ² (specify system) DMA Digital Addressable Dimming ¹ DL Suitable for Damp Locations

¹Refer to page 84 for Telescoping End Caps details.

²Must be low profile ballasts (1³/₁₆" wide x 1³/₁₆" high); consult factory for details.



1. Housing - Continuous, 6063-T5 extruded aluminum profile up to 16 feet long.

2. Ballast - Electronic, high power factor, class "P", type "A" sound rating. Specify 120v, 277v, or 347v. Ballast is factory pre-wired with leads to one end of fixture. Consult factory for ballast options.

3. Gear Tray - Die formed tray with specular aluminum reflector. Gear tray installs as complete electrical unit and is held in place with 1/4 turn latches. It is fully accessible from below ceiling.

4. Lamps - As noted (by others). Other lamp lengths or wattages available; consult factory.

5. 1/16" Aircraft Cable Suspension - Supplied with chrome gripper for easy adjustment. 48" max suspension from ceiling to top of luminaire. (See p.100 for more details.)

6. 5/8" Steel Swivel Stem or Rigid Stem Suspension - Swivel Stem provides 30° swivel rotation and can be cut in field; Rigid Stem can not be cut in field. 48" max suspension from ceiling to top of luminaire. (See p. 100 for more details.)

7. Outlet box - (2" x 4") Mounted horizontally, supplied and installed by others at feed locations only.

8. Ø3/8" Threaded Rod and Mounting Hardware - To anchor Wall Bracket, supplied and installed by others.

9. Wall Bracket - Aluminum Wall Bracket provided nominally every 4'. See layout pages for details.

Interior Luminaire Finish - Standard interior colors are White (WH), Black (BK) and Silver (SV). RAL colors (SP) are available, please specify RAL#.

SELUX Corp. © 2006
TEL: (845) 691-7723
FAX: (845) 691-6749
www.selux.com/usa
M6S-01 (v5.0)

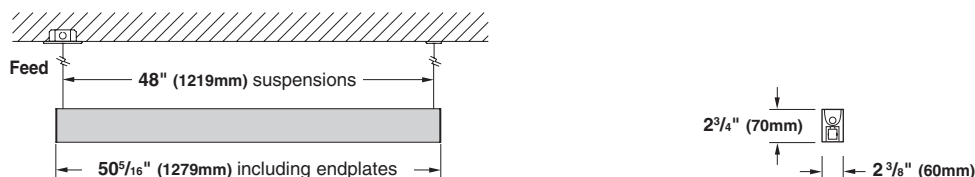


Union Made Affiliated
with IBEW Local 363

In a continuing effort to offer the best product possible, we reserve the right to change, without notice, specifications or materials that in our opinion will not alter the function of the product. Specification sheets found at www.selux.com/usa are the most recent versions and supercede all other printed or electronic versions.

M6S Pendant Mount Layout Dimensions

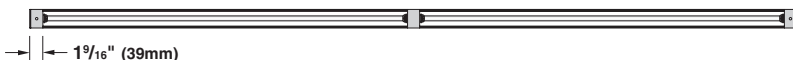
Nominal 4 foot Individual - side view



Nominal 4 foot Individual - top view



Nominal 8 foot Individual - top view

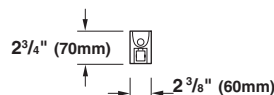


Nominal 12 foot Individual - top view

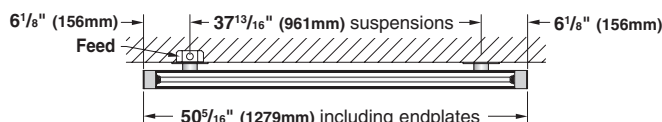


M6S Wall Mount Layout Dimensions

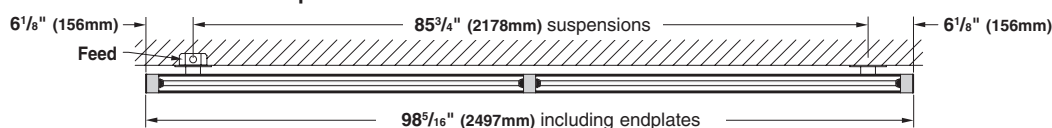
Nominal 4 foot Individual - side view



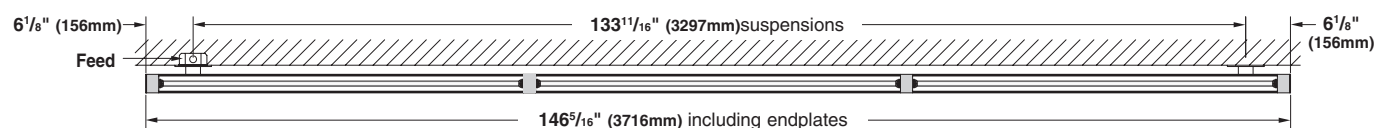
Nominal 4 foot Individual - top view



Nominal 8 foot Individual - top view



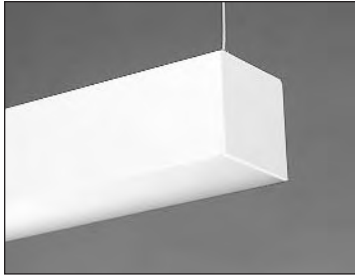
Nominal 12 foot Individual - top view



	T5 (1 or 2 lamp)		
	Including Endplates	Pendant Suspensions	Wall Suspensions
4 foot individual	50.34" (1279mm)	48.00" (1219mm)	37.84" (961mm)
8 foot individual	98.31" (2497mm)	95.90" (2435mm)	85.75" (2178mm)
12 foot individual	146.31" (3716mm)	143.88" (3654mm)	133.71" (3397mm)

For other lengths, lamping, continuous runs or configurations please specify overall length (in feet), accessories desired and sketch/drawing of configuration. SELUX will detail project drawings upon order and supply submittal drawings for approval. Individual fixtures cannot be field joined. If you have any questions please contact SELUX customer service or applications engineering for assistance (1-800-SELUX-CS).

M100 Linear Fluorescent Indirect Pendant and Wall Mount



Project: _____ **Type:** _____ **Qty:** _____

M11 _____

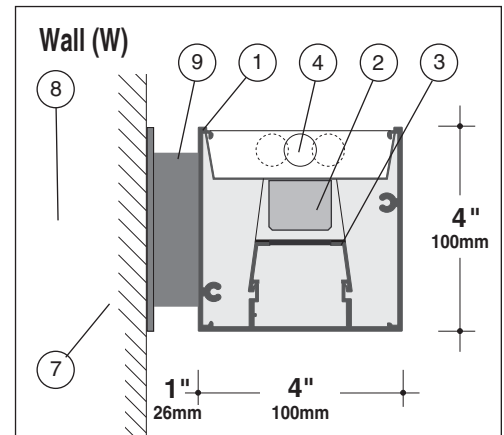
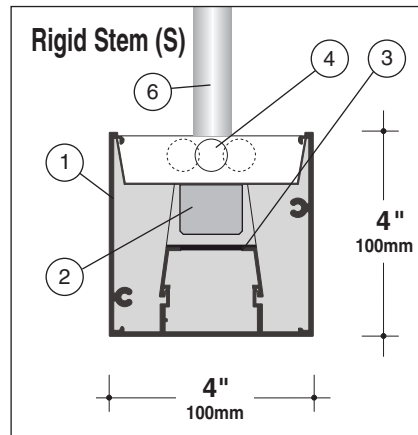
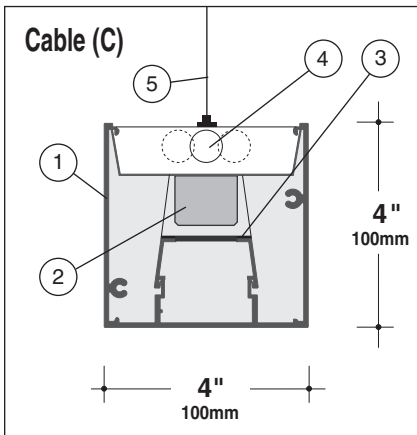
Fixture Series **Lamp Type** **Mounting** **Linear Footage** **Finish** **Voltage**

Options (refer to separate data sheets for ordering codes and details)

Fixture Series	Lamp Type	Mounting	Linear Footage	Finish	Voltage	Options
M11 M100 Indirect	1T5 F28T5	C Cable	004 4 foot	WH White	120	<i>(qty)</i> EM Stand-by Battery Pack ² (prefix quantity, i.e. - 5EM) FS Single Fusing DM Dimming ¹ (specify system) DMA Digital Addressable Dimming ² DL Suitable for Damp Locations
	2T5 (2x)F28/T5	S Swivel Stem	008 8 foot	BK Black	277	
	1T5HO F54T5HO	RS Rigid Stem	012 12 foot	SV Silver	347	
	1T8 F032/T8	W Wall Mount	For other lengths, configurations, or continuous runs, indicate nominal length rounded to the next highest foot using three digits. Factory will supply layout drawings. Individual fixtures cannot be field joined.	SP Specify RAL#		
	TE Telescoping End Caps ¹					

¹Refer to page 84 for Telescoping End Caps details.

²Must be low profile ballasts (1 1/2" W x 1 3/16" H); consult factory for details.



1. Housing - Continuous, 6063-T5 extruded aluminum profile up to 16 feet long. Joined with Connector Plus Joining System, for ease of installation, and to assure a uniform appearance.

2. Ballast - Electronic, high power factor, class "P", type "A" sound rating. Specify 120v, 277v, or 347v. Ballast is factory pre-wired with leads to one end of fixture. Consult factory for ballast options.

3. Gear Tray - Precision formed with white painted finish. Gear tray installs as complete electrical unit and is held in place with knurled dress nuts. It is fully accessible from below ceiling.

4. Lamps - As noted (by others). Other lamp lengths or wattages available, consult factory.

5. 1/16" Aircraft Cable Suspension - Supplied with chrome gripper for easy adjustment. 48" max suspension from ceiling to top of luminaire. (See p.100 for more details.)

6. Ø5/8" Steel Swivel Stem or Rigid Stem Suspension - Swivel Stem provides 30° swivel rotation and can be cut in field; Rigid Stem can not be cut in field. 48" max suspension from ceiling to top of luminaire. (See p. 100 for more details.)

8. Ø 1/2" Threaded Rod and Mounting Hardware - To anchor End Cap Support Bracket/Wall Bracket, supplied and installed by others.

9. Wall Bracket - Aluminum Wall Bracket provided nominally every 4'. See layout pages for details.

Interior Luminaire Finish - Standard interior colors are White (WH), Black (BK) and Silver (SV). RAL colors (SP) are available, please specify RAL#.

7. Outlet box - (4" x 4") Supplied and installed by others.

SELUX Corp. © 2006
TEL: (845) 691-7723
FAX: (845) 691-6749
www.selux.com/usa
M11-01 (v5.0)

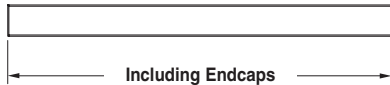


Union Made Affiliated
with IBEW Local 363

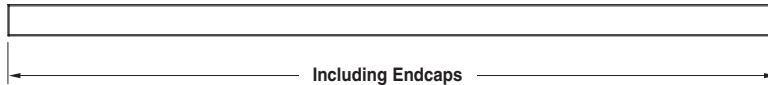
In a continuing effort to offer the best product possible, we reserve the right to change, without notice, specifications or materials that in our opinion will not alter the function of the product. Specification sheets found at www.selux.com/usa are the most recent versions and supercede all other printed or electronic versions.

M1I Surface / Pendant / Wall Layout Dimensions

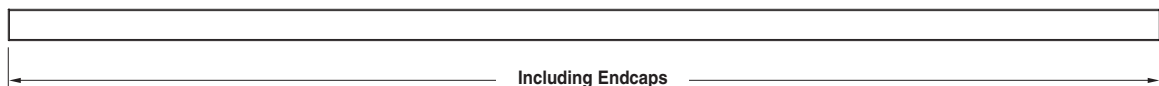
Nominal 4 foot individual - bottom view



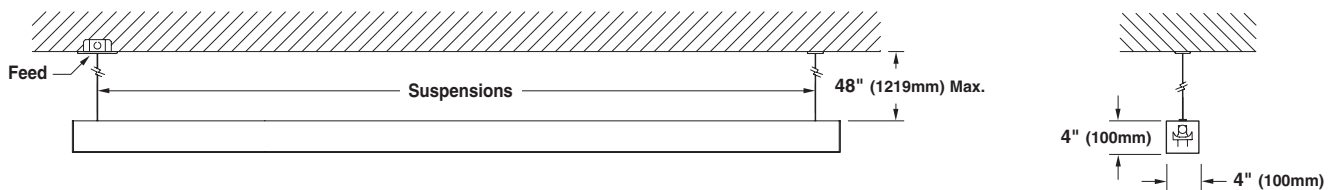
Nominal 8 foot individual - bottom view



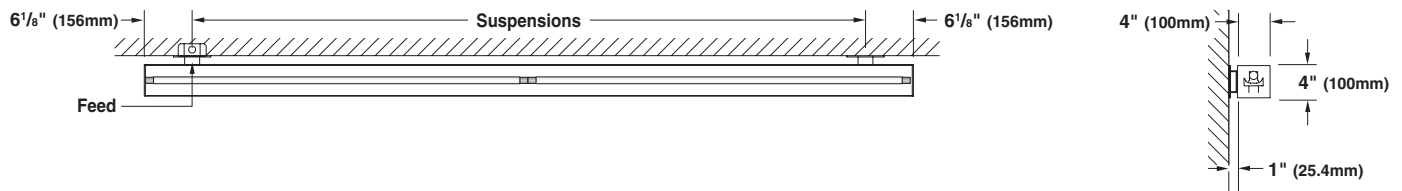
Nominal 12 foot individual - bottom view



Typical Pendant Mount - Side View



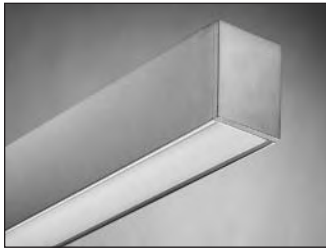
Typical Wall Mount - Top View



	T5 (1 or 2 lamp)			T8 (1 lamp)		
	Including Endplates	Pendant Suspensions	Wall Suspensions	Including Endplates	Pendant Suspensions	Wall Suspensions
4 foot individual	46.81" (1189mm)	49.46" (1256mm)	34.46" (876mm)	48.44" (1230mm)	42.08" (1069mm)	36.07" (916mm)
8 foot individual	93.22" (2368mm)	95.88" (2435mm)	80.88" (2054mm)	96.48" (2451mm)	90.12" (2289mm)	84.12" (2137mm)
12 foot individual	139.66" (3547mm)	142.28" (3614mm)	127.28" (3233mm)	144.52" (3671mm)	138.16" (3509mm)	132.15" (3357mm)

For other lengths, lamping, continuous runs or configurations please specify overall length (in feet), accessories desired and sketch/drawing of configuration. SELUX will detail project drawings upon order and supply submittal drawings for approval. Individual fixtures cannot be field joined. If you have any questions please contact SELUX customer service or applications engineering for assistance (1-800-SELUX-CS).

M100 Linear Fluorescent Direct Asymmetrical Surface, Pendant & Wall



Project: _____ **Type:** _____ **Qty:** _____

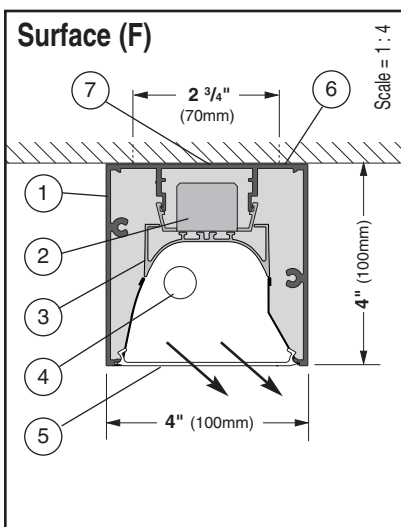
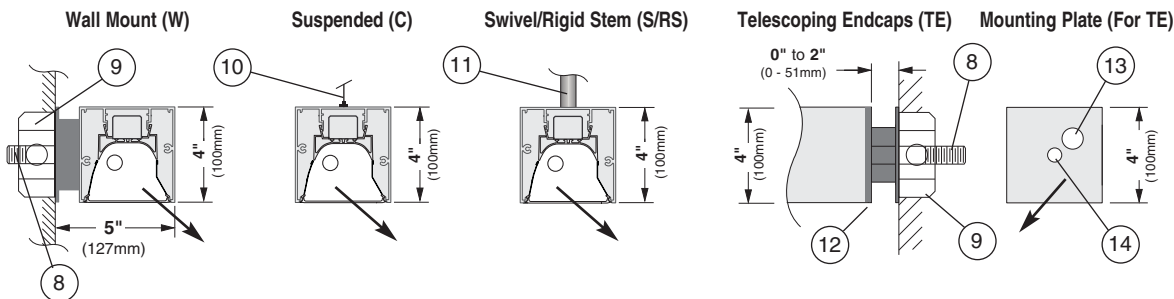
M1A	---	---	---	---	---	---
Fixture Series	Lamp Type	Shielding	Mounting	Linear Footage	Finish	Voltage
---	---	---	---	---	---	---

Options (refer to separate data sheets for ordering codes and details)

Fixture Series	Lamp Type	Shielding	Mounting	Nominal Length	Finish	Voltage	Options
M1A M100 Direct Asymmetrical	1T5 F28T5	AMP Asymmetric Silky Specular Louver	F Surface	004 4 foot	WH White	120	(qty.)EM Stand-by Battery Pack ¹ (prefix quantity, i.e. - 5EM)
	1T5HO F54T5HO	SD Satine Lens	C Suspended	008 8 foot	BK Black	277	DMA Digital Addressable Dimming ¹
			S Swivel Stem	012 12 foot	SV Silver	347	DM Dimming ¹ (specify system)
			RS Rigid Stem	For actual lengths see following page. For other lengths, configura- tions indicate nominal length rounded to the next highest foot. Factory will supply layout draw- ings. Individual fixtures cannot be field joined.	SP Specify RAL#		FS Single Fusing
			W Wall Mount				DL Suitable for Damp Locations
			TE Telescoping Endcaps				Downlights (See MR16 spec sheets, pp.98-99)
¹ Must be low profile ballasts (1 1/2" W x 1 3/16" H); consult factory for details. ² Consult factory for details.							

M1A Mounting Diagrams

Scale = 1 : 8



1. Housing - Continuous, 6063-T5 extruded aluminum profile up to 16 feet long. Joined with Connector Plus Joining System for ease of installation and to assure a uniform appearance.

2. Ballast - Electronic, high power factor, class "P", type "A" sound rating. Specify 120v, 277v, or 347v. Ballast is factory pre-wired with leads to one end of fixture. Consult factory for ballast options.

3. Gear Tray - Extruded aluminum, with white painted finish. Gear tray installed as a complete electrical unit and is held in place with knurled dress nuts. It is fully accessible from below ceiling.

4. Lamps - As noted (by others). Other lamp lengths or wattages available, consult factory.

5. Shielding - Louvers offer excellent glare control in longitudinal, lateral, and all diagonal planes. High quality aluminum louvers and

acrylic shielding allow true freedom of layout for today's modern spaces.

6. Ø 9/32" Mounting Holes (2) - Drilled at factory 6 1/4" from end of fixture and nominally every 24". Mounting hardware supplied and installed by others

7. Ø 7/8" Feed Hole - drilled at factory 2 1/4" from end of fixture. Outlet box (not shown) supplied and installed by others

8. Ø 1/2" Threaded Rod and Mounting Hardware - To anchor End Cap Support Bracket/Wall Bracket, supplied and installed by others.

9. Outlet Box - (4" x 4") Supplied and installed by others at feed locations only.

10. 1/16" Aircraft Cable Suspension - Supplied with chrome gripper for easy adjustment. 48" max suspension from ceiling to

top of luminaire. (See p.100 for more details.)

11. 5/8" Steel Swivel Stem or Rigid Stem Suspension - Swivel Stem provides 30° swivel rotation. Can be cut in field, rigid stems are not field cut-able. 48" max suspension from ceiling to top of luminaire. (See p. 100 for details.)

12. End Cap Support Brackets

Welded flush to end of fixture. Supplied with extruded aluminum cover profile. Two lock-down screws on bottom of fixture

13. Ø 7/8" Feed Hole - In wall plate, off center.

14. Ø 9/16" Mounting Hole - Centered in wall plate.

Interior Luminaire Finish - Standard interior colors are White (WH), Black (BK) and Silver (SV). RAL colors (SP) are available, please specify RAL#.

SELUX Corp. © 2006
TEL: (845) 691-7723
FAX: (845) 691-6749
www.selux.com/usa
M1A-01 (v5.0)

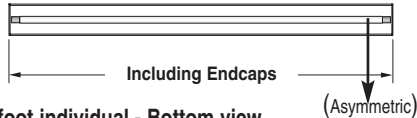


Union Made Affiliated
with IBEW Local 363

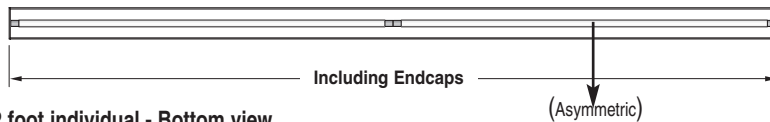
In a continuing effort to offer the best product possible, we reserve the right to change, without notice, specifications or materials that in our opinion will not alter the function of the product. Specification sheets found at www.selux.com/usa are the most recent versions and supercede all other printed or electronic versions.

M1A Surface / Pendant / Wall Layout Dimensions

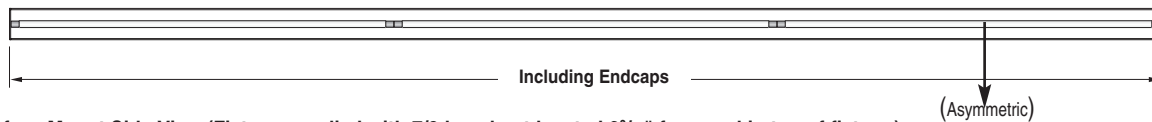
Nominal 4 foot individual - Bottom view



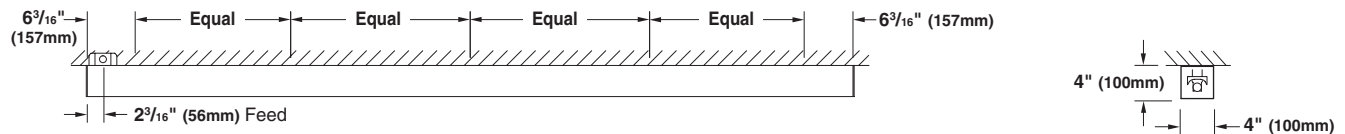
Nominal 8 foot individual - Bottom view



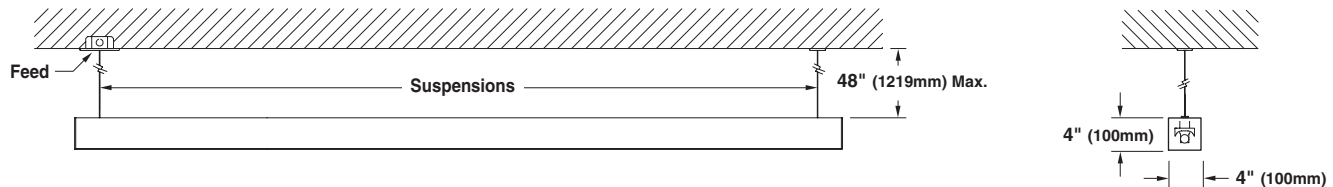
Nominal 12 foot individual - Bottom view



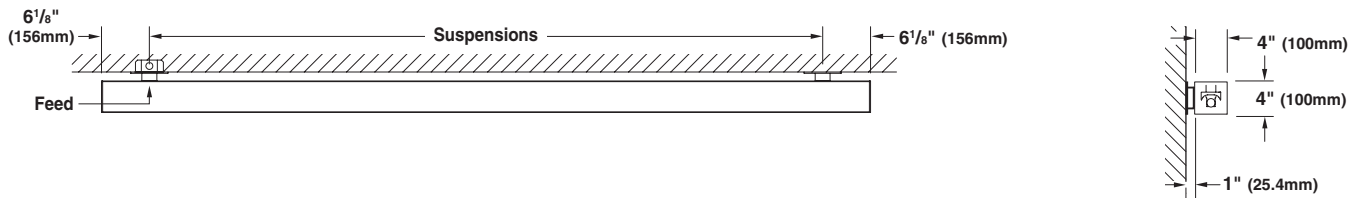
Typical Surface Mount Side View (Fixture supplied with 7/8 knockout located 2 3/16" from end in top of fixture.)



Typical Pendant Mount - Side View



Typical Wall Mount - Side View



	T5 (1 or 2 lamp)			T8 (1 lamp)		
	Including Endplates	Pendant Suspensions	Wall Suspensions	Including Endplates	Pendant Suspensions	Wall Suspensions
4 foot individual	46.81" (1189mm)	40.46" (1027mm)	34.46" (875mm)	48.37" (1229mm)	42.08" (1069mm)	36.08" (916mm)
8 foot individual	93.21" (2368mm)	86.88" (2206mm)	80.87" (2054mm)	96.41" (2449mm)	90.12" (2289mm)	84.12" (2137mm)
12 foot individual	139.65" (3547mm)	133.28" (3385mm)	127.29" (3233mm)	144.45" (3669mm)	138.16" (3509mm)	132.16" (3357mm)

For other lengths, lamping, continuous runs or configurations please specify overall length (in feet), accessories desired and sketch/drawing of configuration. SELUX will detail project drawings upon order and supply submittal drawings for approval. Individual fixtures cannot be field joined. If you have any questions please contact SELUX customer service or applications engineering for assistance (1-800-SELUX-CS).

Downlights

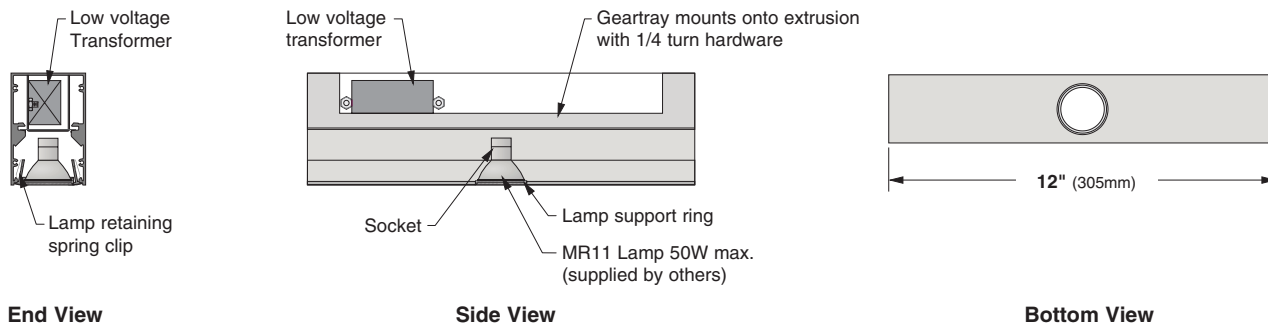


MR11 Fixed Downlight

Ordering Code: **MR11**

Supplied with clear glass lens. Available for all M60 extruded forms. Fixture will accept up to 3 accessories. 50W MR11 Lamps (by others) must be suitable for use with open fixtures.

12" MR11 Fixed Downlight

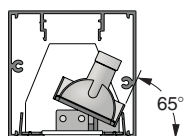


MR16 65° Adjustable Downlight (MRFA)

Available for all M100 extruded forms. 50W MR16 Lamp (by others) suitable for use with open fixtures. Fixture will accept up to three lens accessories. Available with additional optional Flush Frosted Glass Lens. Square Lamp is field rotatable 0° or 90° horizontally (seated with lamp aimed parallel or perpendicular to fixture). Round Lamp is field rotatable 0° to 90° horizontally (lamp can be seated to aim at any angle from parallel to perpendicular to fixture). All MR16 downlights tiltable 65° vertically. When lamp is set to aim parallel to fixture, additional 5° vertical rotation is available. Angle adjustment is made with MR16 Module installed in fixture by inserting tool through opening in faceplate and aiming. Pivot point of lamp optimized for higher light output. All 6" and 12" with Magnetic Transformers not available for CCEA Applications.

MR16 Side View

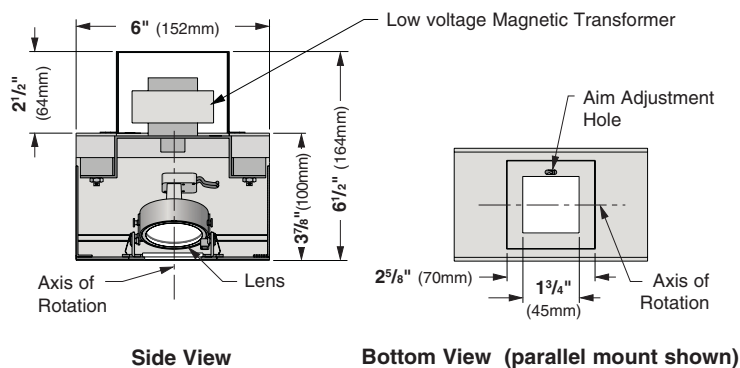
Same for all MR16 downlights



6" MR16 Adjustable Downlight (Square Lens)

Ordering Code: **MSS** (without lens); **MSB** (with Flush Glass Lens)

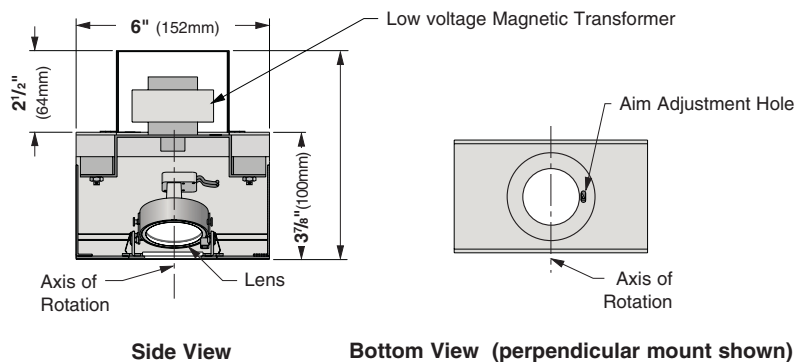
Designate quantity by: **(Qty.) x (Ordering code)**; i.e. **5xMSB**



6" MR16 Adjustable Downlight (Round Lens)

Ordering Code: **MSO** (without lens); **MSR** (with Flush Glass Lens)

Designate quantity by: **(Qty.) x (Ordering code)**; i.e. **5xMSR**



SELUX Corp. © 2006
 TEL: (845) 691-7723
 FAX: (845) 691-6749
www.selux.com/usa
 M1A-01 (v5.0)



Union Made Affiliated
 with IBEW Local 363

In a continuing effort to offer the best product possible, we reserve the right to change, without notice, specifications or materials that in our opinion will not alter the function of the product. Specification sheets found at www.selux.com/usa are the most recent versions and supercede all other printed or electronic versions.

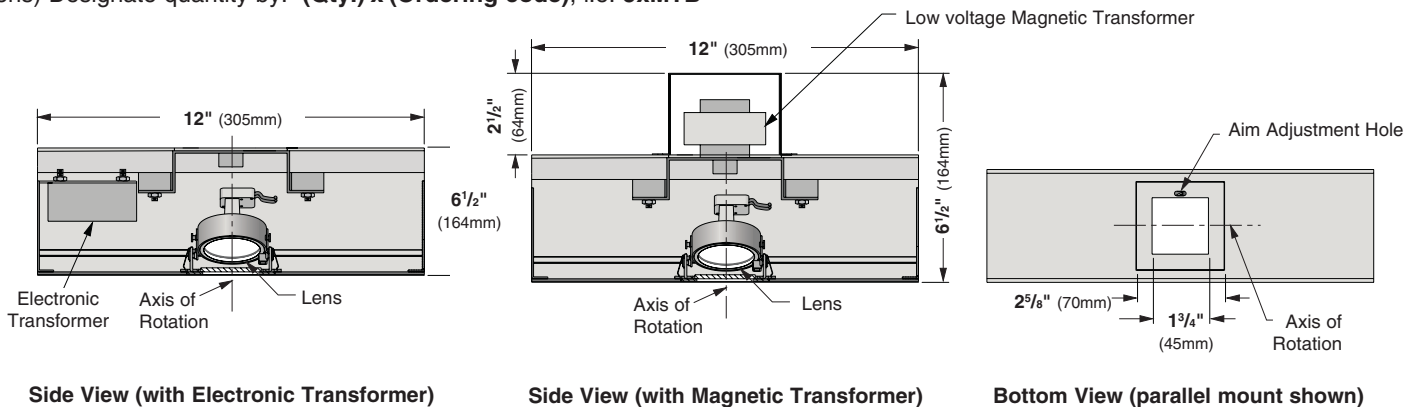
Downlights



12" MR16 Adjustable Downlight (Square Lens)

Ordering Code: **MEB** (w/ Electronic Transformer, without lens)
MES (w/ Electronic Transformer, with Flush Glass Lens)
 Lens) Designate quantity by: **(Qty.) x (Ordering code)**; i.e. **5xMTB**

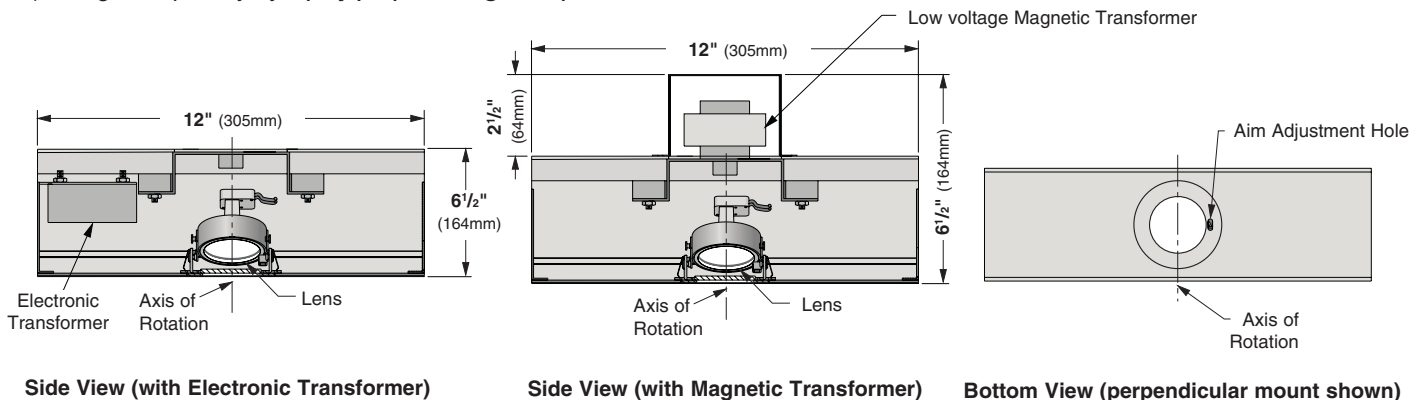
MTB (w/ Magnetic Transformer, without lens);
MTS (w/ Magnetic Transformer, with Flush Glass



12" MR16 Adjustable Downlight (Round Lens)

Ordering Code: **MEO** (w/ Electronic Transformer, without lens)
MER (w/ Electronic Transformer, with Flush Glass Lens)
 Lens) Designate quantity by: **(Qty.) x (Ordering code)**; i.e. **5xMTO**

MTO (w/ Magnetic Transformer, without lens)
MTR (w/ Magnetic Transformer, with Flush Glass



MR16 Downlight Accessories

Available for all M100 extruded forms. Fixture will accept up to three lens accessories. Add desired ordering code to option blank of ordering matrix of desired spec sheet (ie. **MSRF** = 6" MR16 with Flush Glass Lens and Frosted Glass Lens).

Honeycomb Filter (Black Finish)

Add "H" to end of MR16 Ordering Code

Frosted Lens (Clear Frosted Glass)

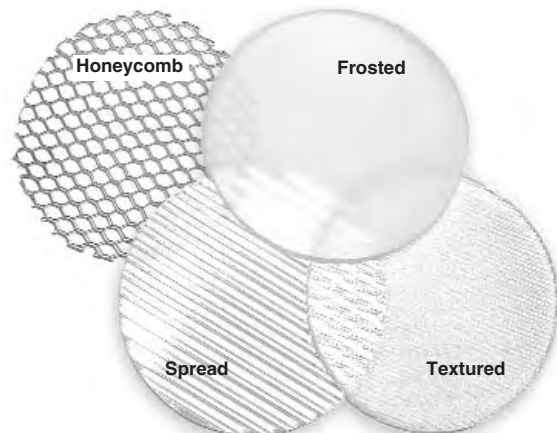
Add "F" to end of MR16 Ordering Code

Textured Lens (Clear Patterned Glass)

Add "T" to end of MR16 Ordering Code

Spread Lens (Clear Patterned Glass)

Add "S" to end of MR16 Ordering Code



In a continuing effort to offer the best product possible, we reserve the right to change, without notice, specifications or materials that in our opinion will not alter the function of the product. Specification sheets found at www.selux.com/usa are the most recent versions and supersede all other printed or electronic versions.

M-Series Suspension Details

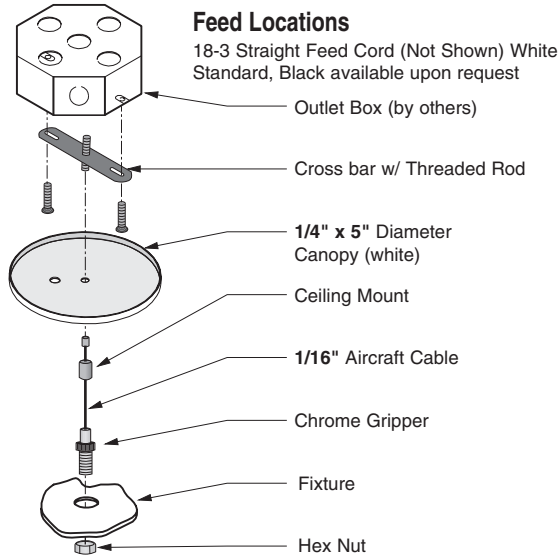
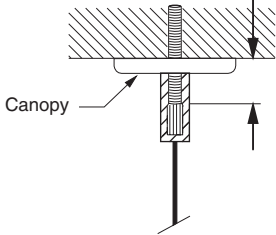


Cable Suspensions

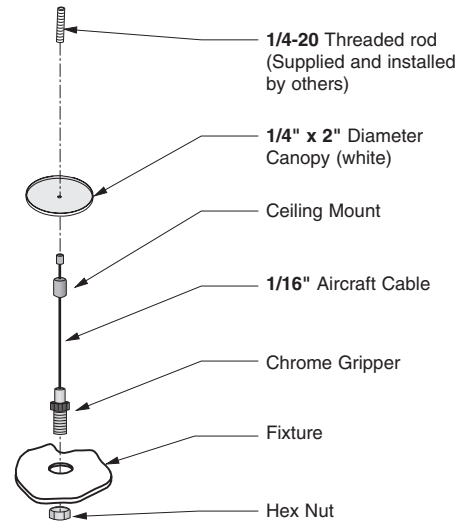
Ordering Code: **C**

48" max. suspension from ceiling to top of luminaire and are field adjustable. Other lengths available, consult factory.

1/4 - 20 Threaded rod projected from ceiling 3/4" max. to 5/8" min.



Non-Feed Locations



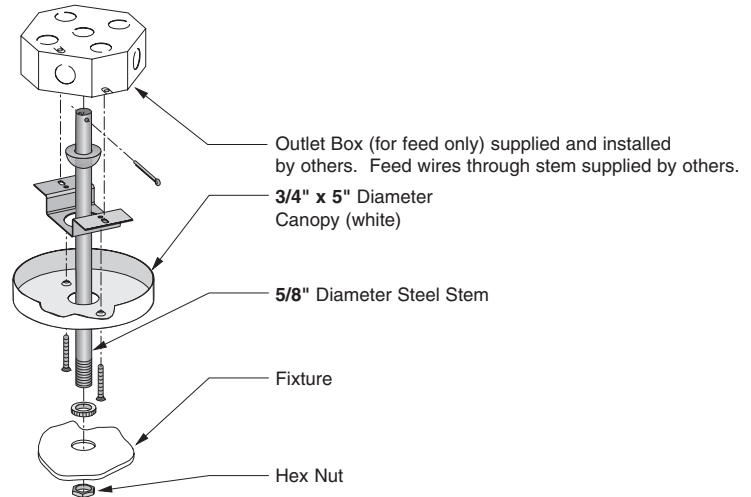
Swivel Stem Suspension

Ordering Code: **S**

For use with Direct and Indirect fixtures.

Provides 30° swivel.

48" max. suspension from ceiling to top of luminaire and are field cutable. Other lengths available, consult factory.

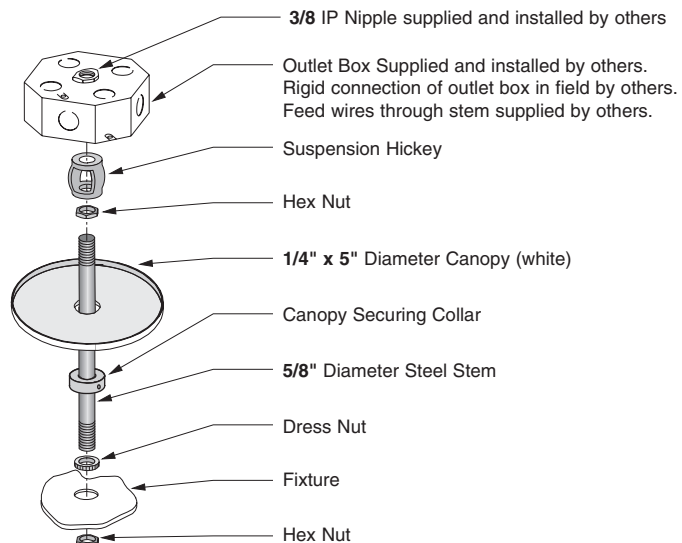


Rigid Stem Suspension

Ordering Code: **RS**

For use with Direct, Direct/Indirect and Indirect fixtures.

48" max. suspension from ceiling to top of luminaire. Other lengths available, consult factory.



SELUX Corp. © 2006
TEL: (845) 691-7723
FAX: (845) 691-6749
www.selux.com/usa
M_SUSP-01 (v5.0)



Union Made Affiliated
with IBEW Local 363

In a continuing effort to offer the best product possible, we reserve the right to change, without notice, specifications or materials that in our opinion will not alter the function of the product. Specification sheets found at www.selux.com/usa are the most recent versions and supercede all other printed or electronic versions.

M100 Vertical Wall Mounting

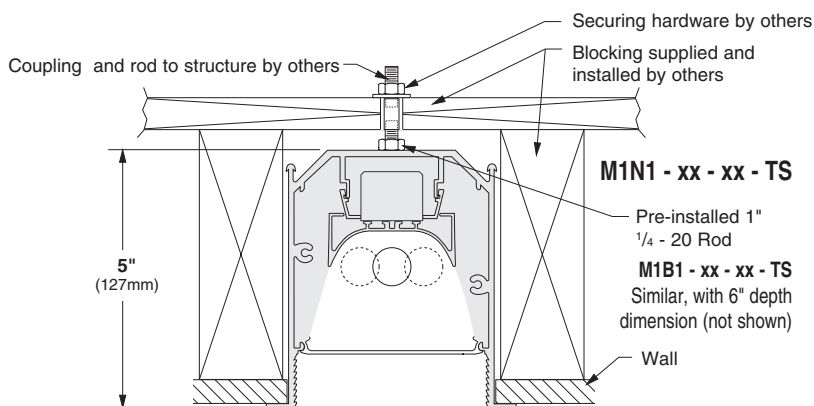
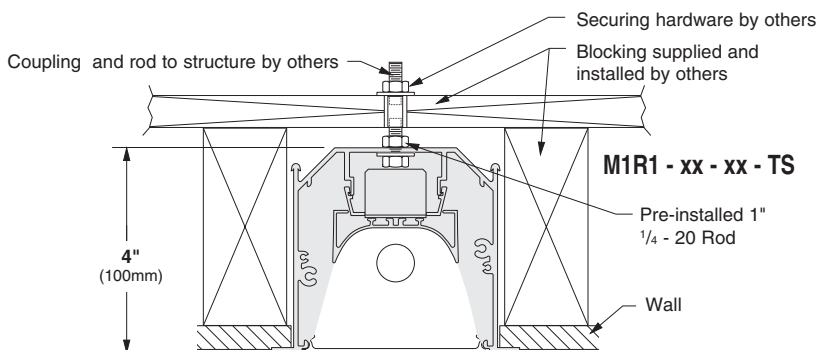
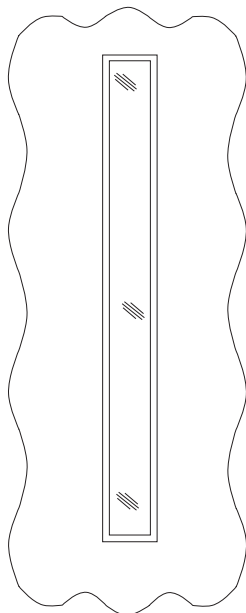


Vertical Wall Mount Application (Recessed Continuous Flange Mounting)

Ordering Code: As indicated

For use with Super Recessed (M1B1), Tannenbaum (M1N1) and Recessed (M1R1) fixtures.

Support is required nominally every 4 feet.

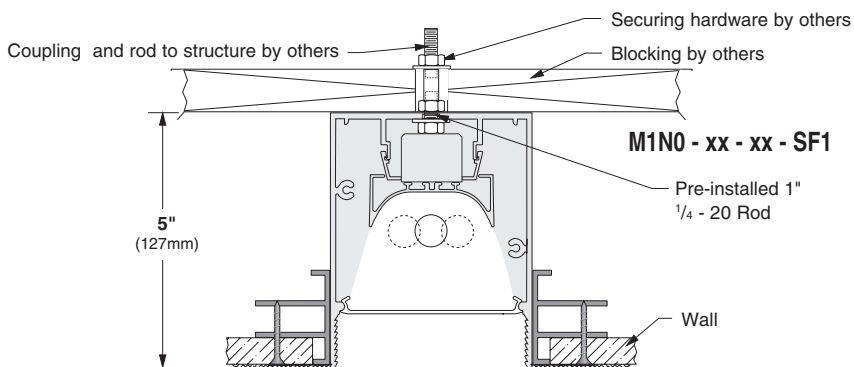
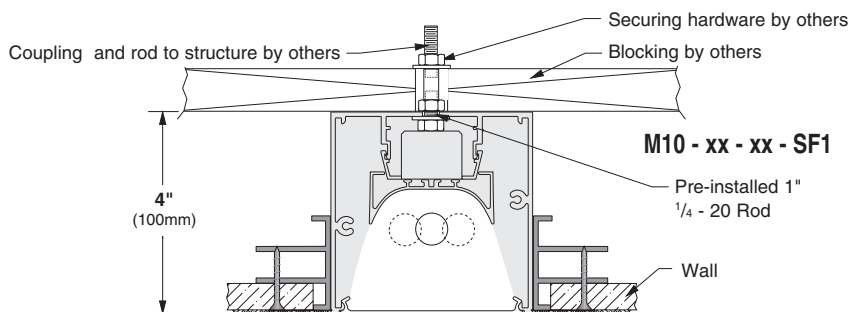
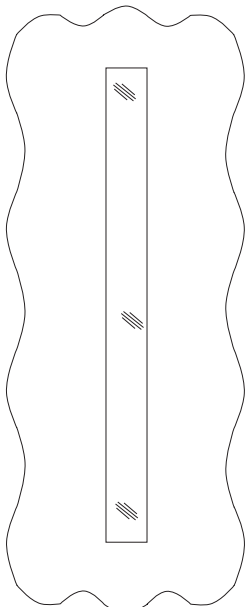


Vertical Wall Mount Application (Recessed Spackle Flange Mounting)

Ordering Codes: As indicated

For use with Super Recessed (M1B0), Tannenbaum (M1N0) and Recessed (M10) fixtures.

Support is required nominally every 4 feet.



SELUX Corp. © 2006
 PO Box 1060, 5 Lumen Lane / Highland, NY 12528
 TEL: (845) 691-7723 / FAX: (845) 691-6749
 E-mail: seluxus@selux.com / Web Site: www.selux.com/usa
 M10MNT (02/06)

In a continuing effort to offer the best product possible, we reserve the right to change, without notice, specifications or materials that in our opinion will not alter the function of the product. Specification sheets found at www.selux.com/usa are the most recent versions and supersede all other printed or electronic versions.

M60 Vertical Wall Mounting

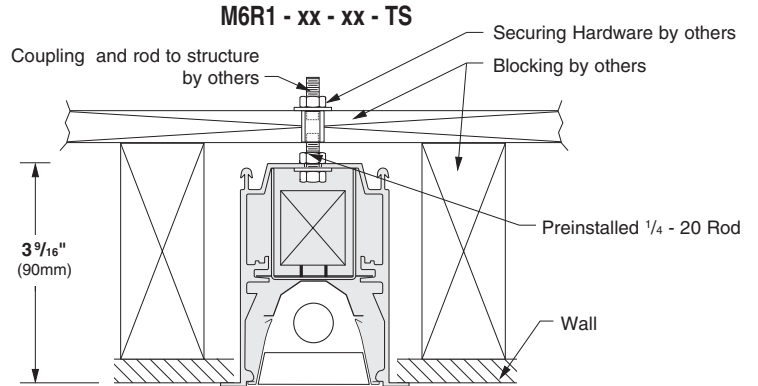
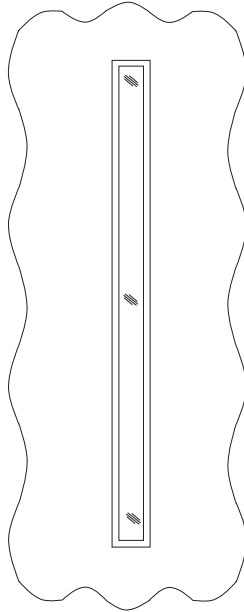


Vertical Wall Mount Application (Recessed Continuous Flange Mounting)

Ordering Code: As indicated

For use with Recessed (M6R1) fixtures.

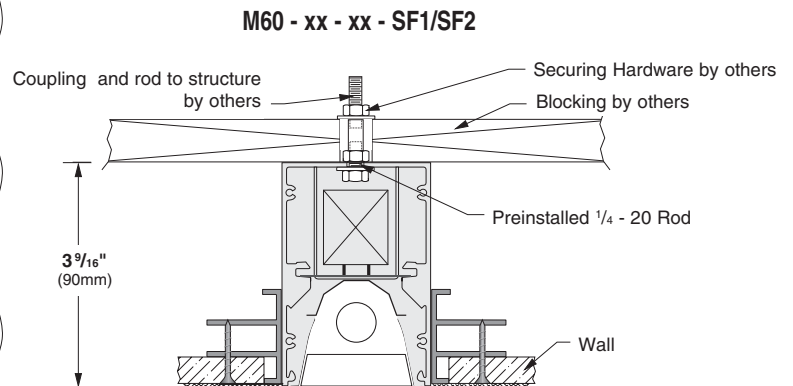
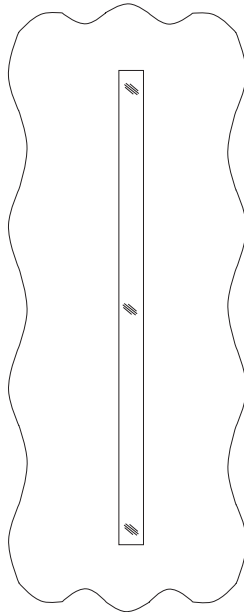
Support is required nominally every 4 feet.



Vertical Wall Mount Application (Recessed Spackle Flange Mounting)



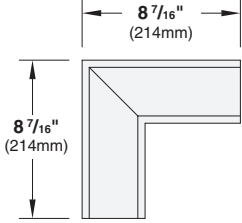
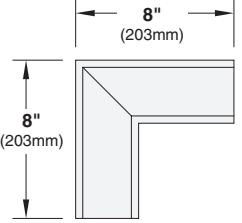
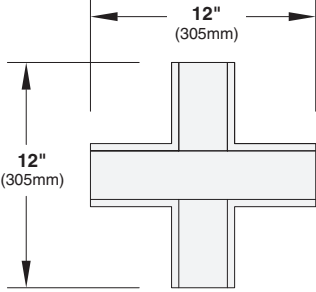
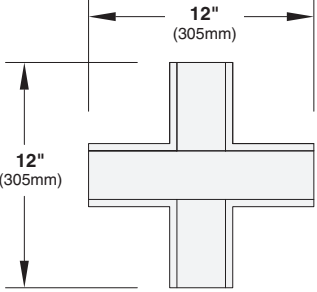
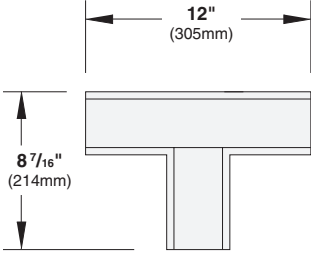
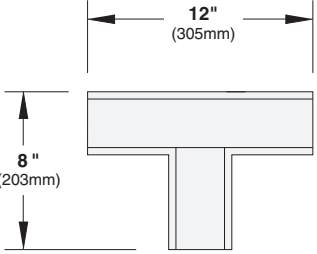
Ordering Code: As indicated

For use with Recessed (M60) fixtures.



M60 Crosses, Tees and Corners



	<p>For use with Recessed extrusion forms (Flanged extrusions for recessed applications)</p> 	<p>For use with Multi-Mount extrusion forms (Flangeless* extrusions for surface, suspended, wall, and recessed applications) *Includes Spackle Flange fixtures</p> 
<p>90° Elbow Ordering Code: L90</p> <p>Extruded aluminum elbows available for all M60 extruded forms. Dimensions shown as per specified fixture.</p> <p>Supplied with snap in aluminum covers to match fixture color.</p>	<p>M6R1, M6R2</p> 	<p>M60, M6DI, M6S</p> 
<p>90° Cross Ordering Code: X90</p> <p>Extruded aluminum crosses available for all M60 extruded forms.</p> <p>Supplied with snap in aluminum covers to match fixture color.</p>	<p>M6R1, M6R2</p> 	<p>M60, M6DI, M6S</p> 
<p>90° Tee Ordering Code: T90</p> <p>Extruded aluminum tees available for all M60 extruded forms. Dimensions shown as per specified fixture.</p> <p>Supplied with snap in aluminum covers to match fixture color.</p>	<p>M6R1, M6R2</p> 	<p>M60, M6DI, M6S</p> 

Custom Connections

Custom Elbow Cat. #: **LC** (specify angle and supply configuration details)

Consult factory for custom Tees, Crosses or other custom configurations.

Note: Lit corners available, consult factory for details.

SELUX Corp. © 2006

TEL: (845) 691-7723

FAX: (845) 691-6749

www.selux.com/usa
M6_CONX (02/06)

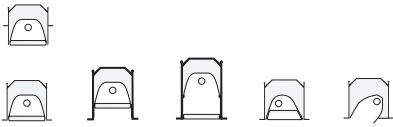
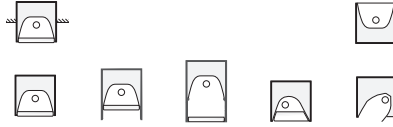
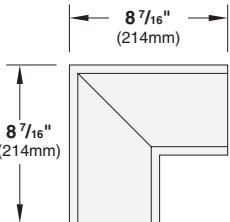
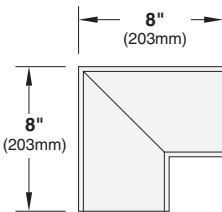
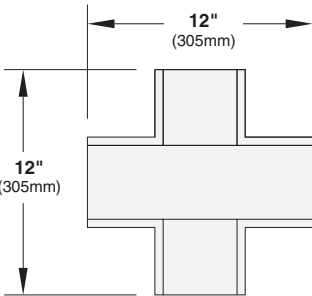
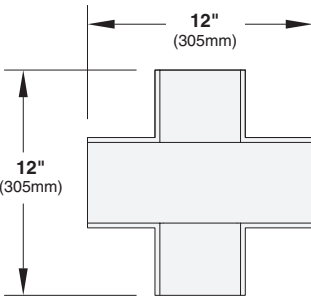
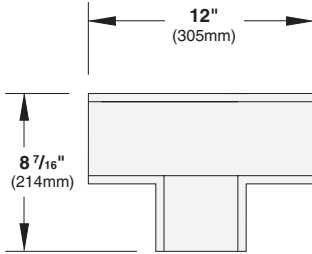
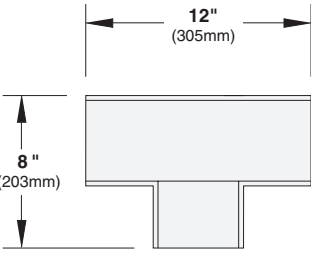


Union Made Affiliated
with **IBEW Local 363**

In a continuing effort to offer the best product possible, we reserve the right to change, without notice, specifications or materials that in our opinion will not alter the function of the product. Specification sheets found at www.selux.com/usa are the most recent versions and supercede all other printed or electronic versions.

M100 Crosses, Tees and Corners



	<p>For use with Recessed extrusion forms (Flanged extrusions for semi-recessed and recessed applications)</p> 	<p>For use with Multi-Mount extrusion forms (Flangeless* extrusions for surface, suspended, wall, semi recessed and recessed applications) *Includes Spackle Flange fixtures</p> 
<p>90° Elbow Ordering Code: L90</p> <p>Extruded aluminum elbows available for all M100 extruded forms. Dimensions shown as per specified fixture.</p> <p>Supplied with snap in aluminum covers to match fixture color.</p>	<p>M1S1, M1S2, M1R1, M1R2, M1N1, M1N2, M1B1, M1B2, M1RA1, M1RA2, M1W1, M1W2</p> 	<p>M1S0, M10, M1N0, M1B0, M1A, M11, M1W0</p> 
<p>90° Cross Ordering Code: X90</p> <p>Extruded aluminum crosses available for all M100 extruded forms.</p> <p>Supplied with snap in aluminum covers to match fixture color.</p>	<p>M1S1, M1S2, M1R1, M1R2, M1N1, M1N2, M1B1, M1B2, M1RA1, M1RA2, M1W1, M1W2</p> 	<p>M1S0, M10, M1N0, M1B0, M1A, M11, M1W0</p> 
<p>90° Tee Ordering Code: T90</p> <p>Extruded aluminum tees available for all M100 extruded forms. Dimensions shown as per specified fixture.</p> <p>Supplied with snap in aluminum covers to match fixture color.</p>	<p>M1S1, M1S2, M1R1, M1R2, M1N1, M1N2, M1B1, M1B2, M1RA1, M1RA2, M1W1, M1W2</p> 	<p>M1S0, M10, M1N0, M1B0, M1A, M11, M1W0</p> 

Custom Connections

Custom Elbow Cat. #: **LC** (specify angle and supply configuration details)

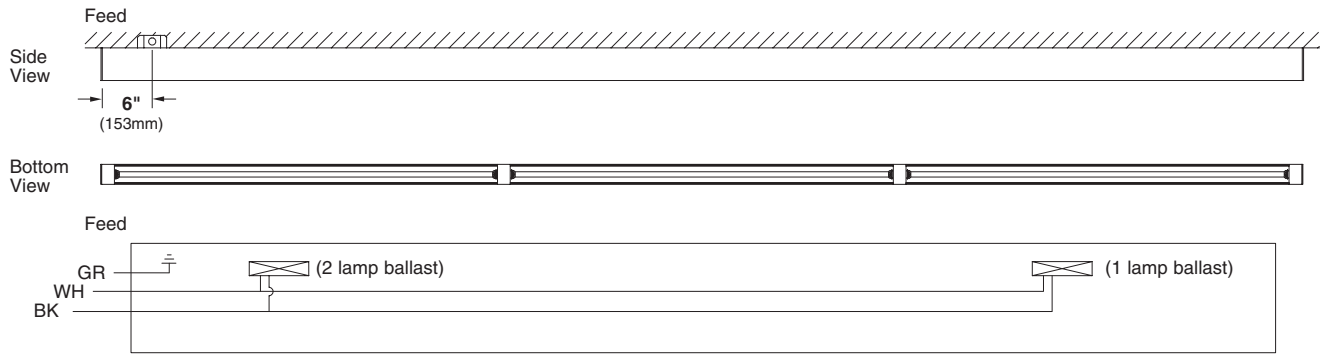
Consult factory for custom Tees, Crosses or other custom configurations.

Note: Lit corners available, consult factory for details.

M60 Wiring Options

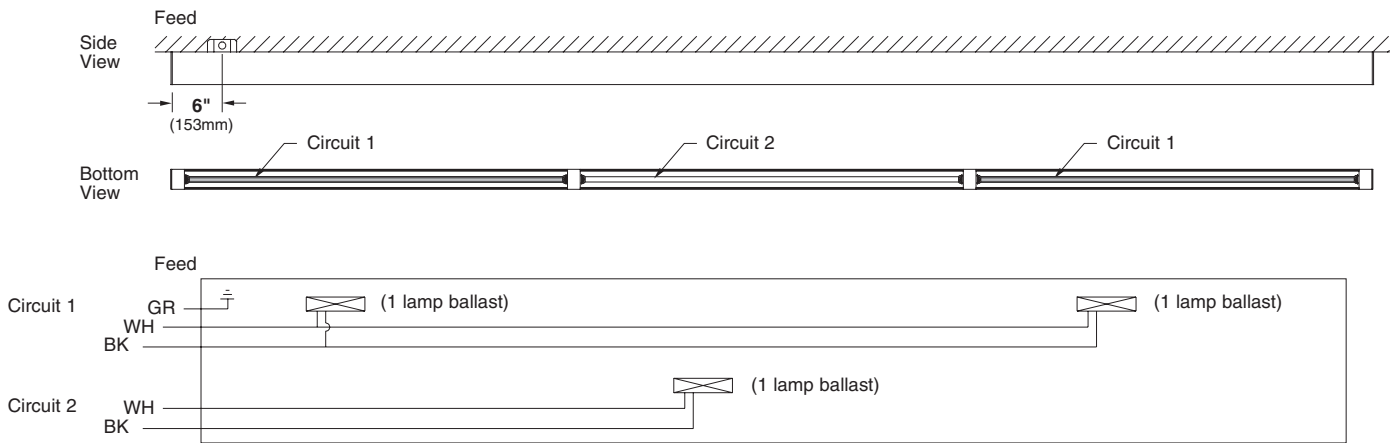


Standard Wiring (1 lamp fixtures)

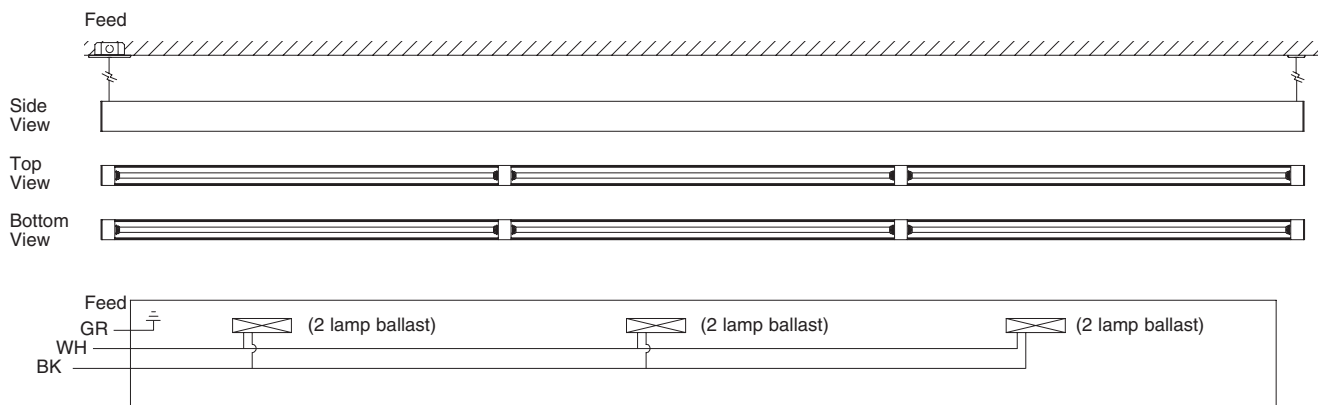


Tandem Wiring (Staggered Circuits / 1 lamp fixtures)

Ordering Code: TA



Standard Wiring (2 lamp direct/indirect fixtures)



SELUX Corp. © 2006

TEL: (845) 691-7723

FAX: (845) 691-6749

www.selux.com/USA

M1A-01 (v5.0)



Union Made Affiliated
with IBEW Local 363

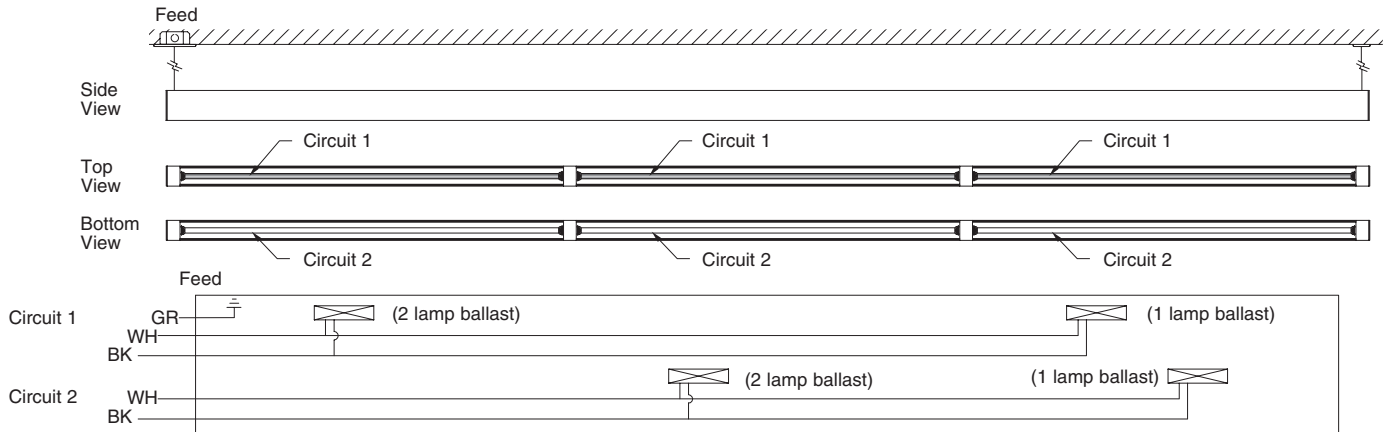
In a continuing effort to offer the best product possible, we reserve the right to change, without notice, specifications or materials that in our opinion will not alter the function of the product. Specification sheets found at www.selux.com/usa are the most recent versions and supercede all other printed or electronic versions.

M60 Wiring Options



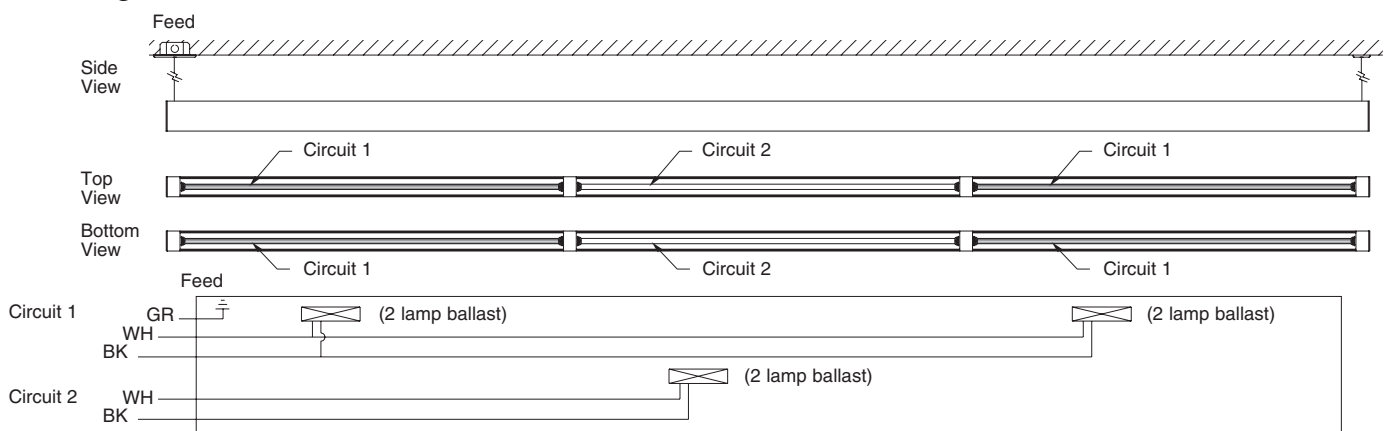
Tandem Wiring (Parallel Circuits - 2 lamp direct/indirect fixtures)

Ordering Code: **TC**



Tandem Wiring (Staggered Circuits - 2 lamp direct/indirect fixtures)

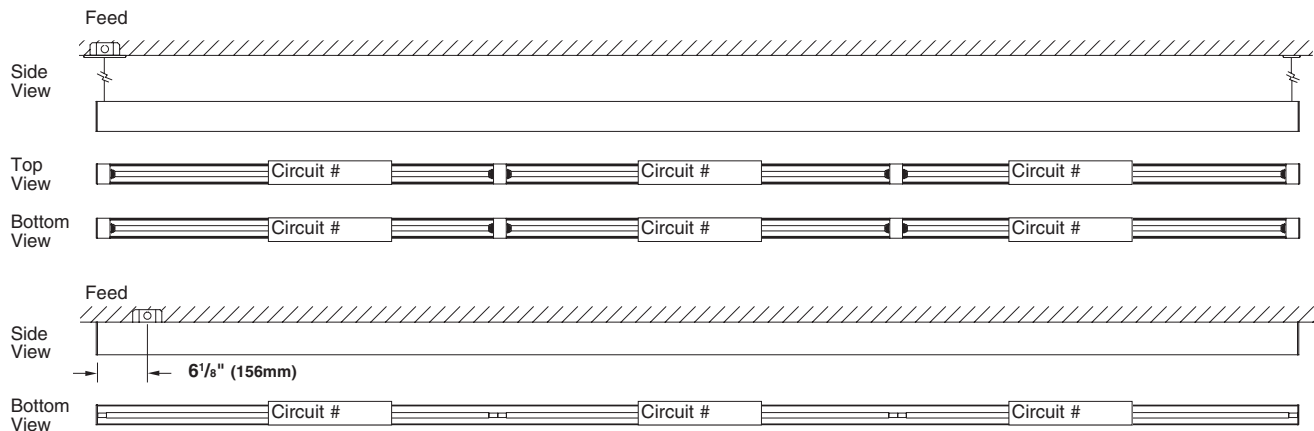
Ordering Code: **TA**



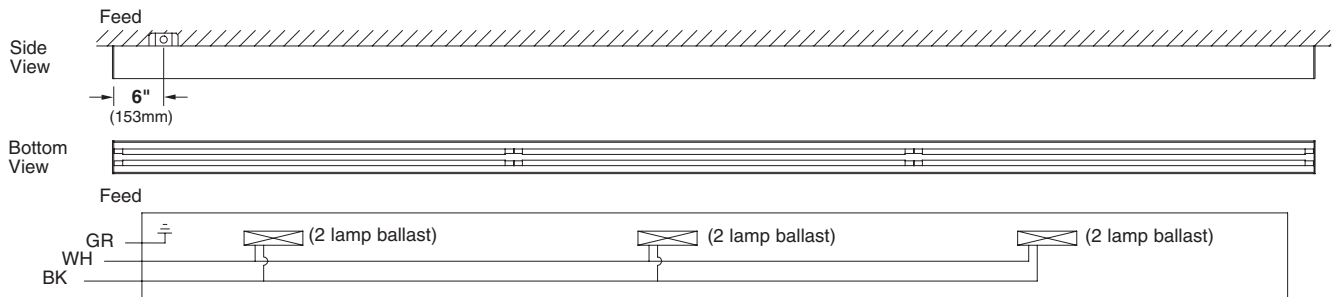
Tandem Wiring (Job Specific Circuitry / 1 or 2 lamp fixtures)

Ordering Code: **TM**

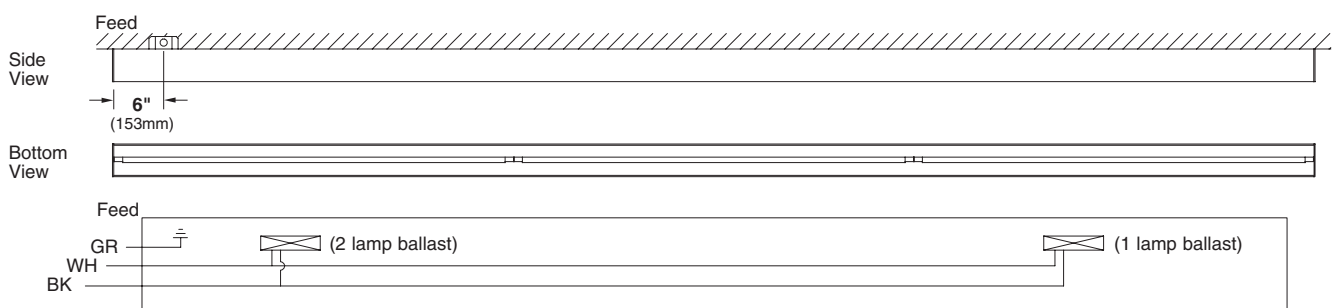
Note: Specify circuits for each lamp.



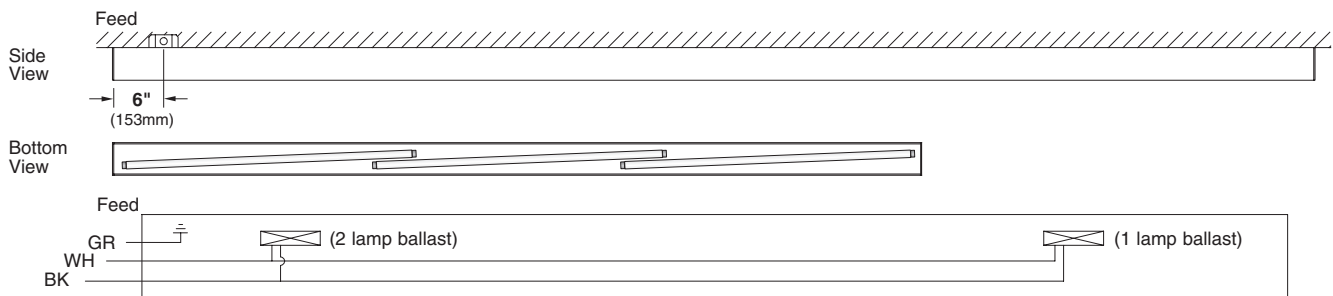
Standard Wiring (2 lamp fixtures)



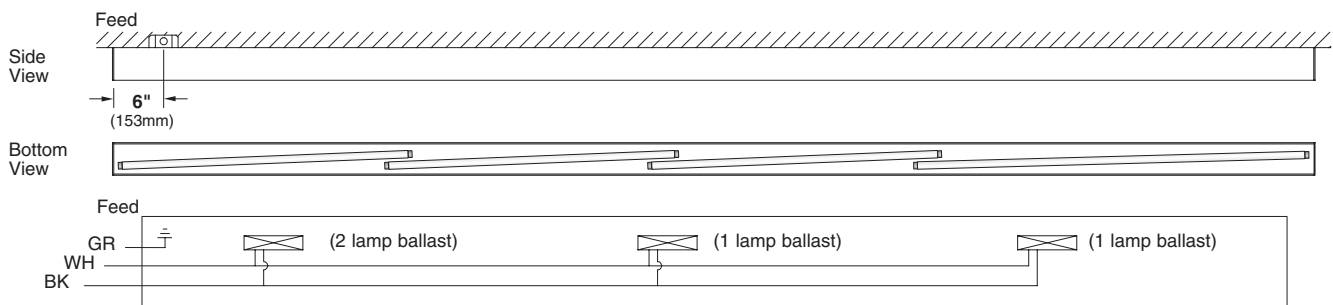
Standard Wiring (1 lamp fixtures)



Standard Wiring (8' Staggered Lamps - single lamp fixtures)

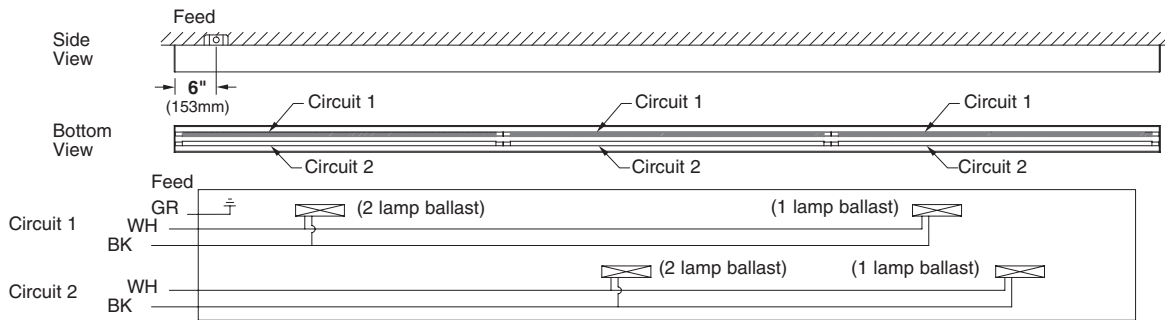


Standard Wiring (12' Staggered Lamps - single lamp fixtures)



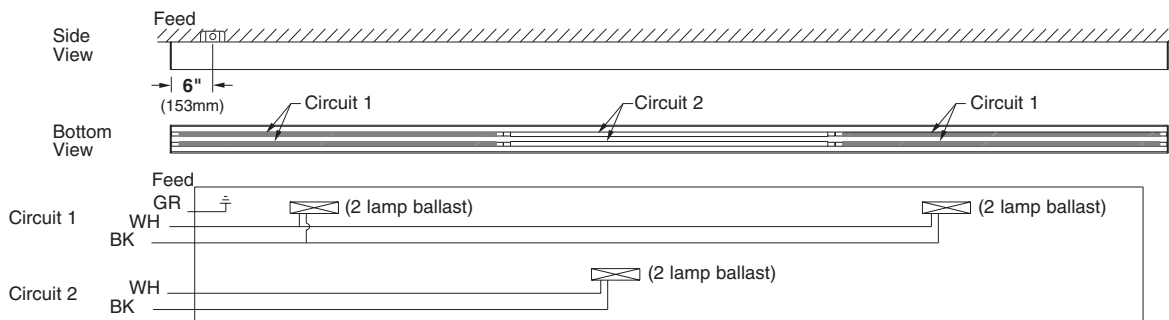
Tandem Wiring (Parallel Circuits / 2 lamp fixtures)

Ordering Code: **TC**



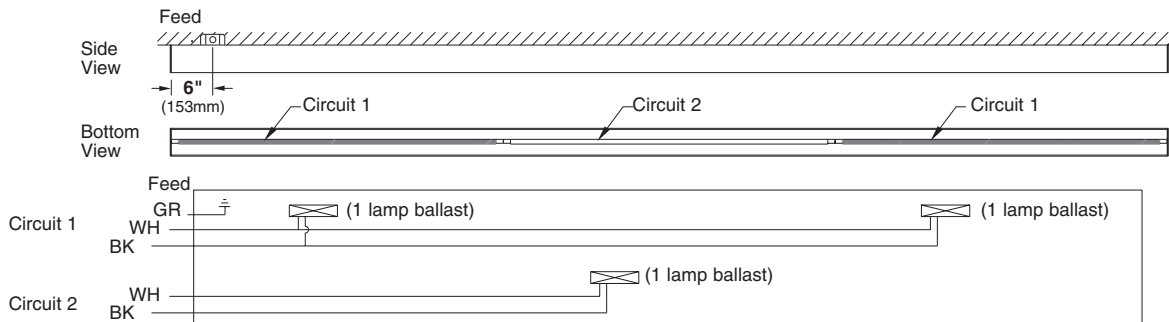
Tandem Wiring (Staggered Circuits / 2 lamp fixtures)

Ordering Code: **TA**



Tandem Wiring (Staggered Circuits / 1 lamp fixtures)

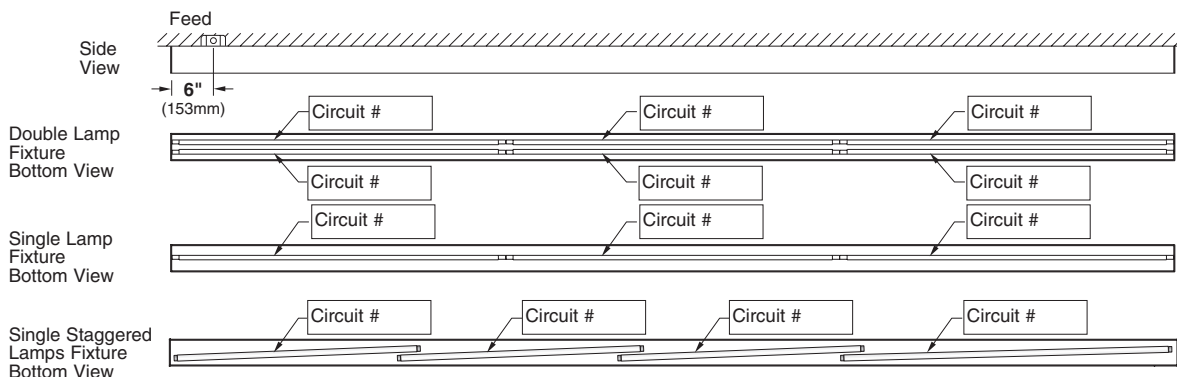
Ordering Code: **TA**



Tandem Wiring (Job Specific Circuitry / 1 or 2 lamp fixtures)

Ordering Code: **TM**

Note: Specify circuits for each lamp.



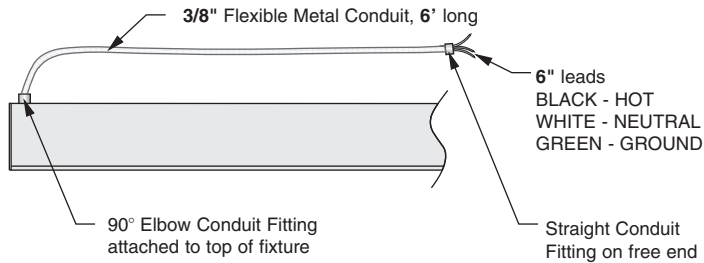
In a continuing effort to offer the best product possible, we reserve the right to change, without notice, specifications or materials that in our opinion will not alter the function of the product. Specification sheets found at www.selux.com/usa are the most recent versions and supersede all other printed or electronic versions.

M-Series Flex Whips



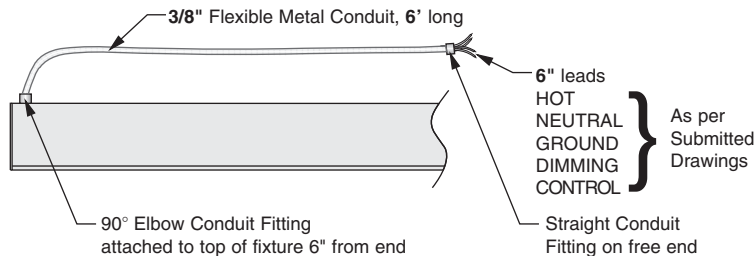
M60 Flex Whip (Standard Wiring) available for Recessed fixtures

Ordering Code: **FW**



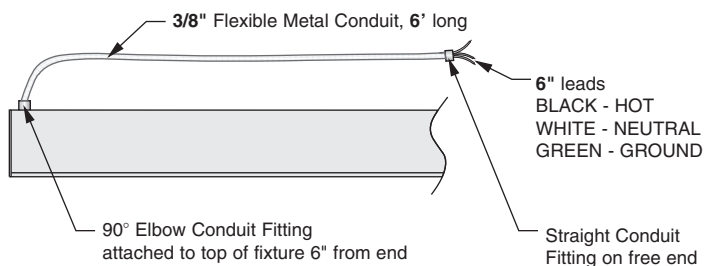
M60 Flex Whip (Dimming Wiring) available for Recessed fixtures

Ordering Code: **FW1**



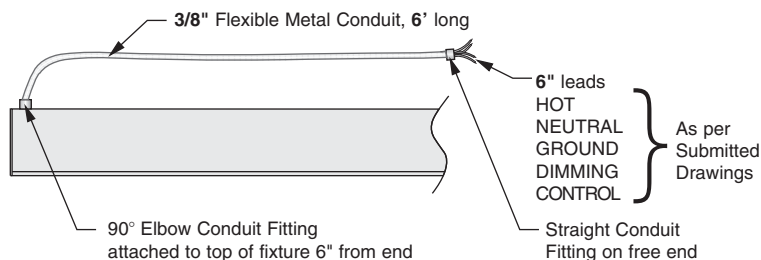
M100 Flex Whip (Standard Wiring) available for Tannenbaum, Super-Recessed, Recessed and Semi-Recessed fixtures

Ordering Code: **FW**



M100 Flex Whip (Dimming Wiring) available for Tannenbaum, Super Recessed, Recessed and Semi-Recessed fixtures

Ordering Code: **FW1**

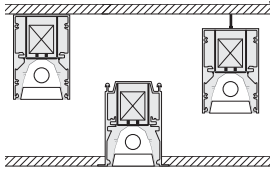


M60/M6Rx - 1T5 - MP	111
M60M6Rx - 1T5 - SD	111
M6S - 1T5	111
M10/M1Rx/M1Sx - 1T5 - SA	112
M10/M1Rx/M1Sx - 1T5 - MA	112
M10/M1Rx/M1Sx - 1T5 - MP	112
M10/M1Rx/M1Sx - 1T5 - SD	113
M1A/M1RAx - 1T5 - AMP	113
M10/M1Rx/M1Sx - 2T5 - SA	113
M10/M1Rx/M1Sx - 2T5 - MA	114
M10/M1Rx/M1Sx - 2T5 - MP	114
M10/M1Rx/M1Sx - 2T5 - SD	114
M10/M1Rx/M1Sx - 1T8 - SA	115
M10/M1Rx/M1Sx - 1T8 - MA	115
M10/M1Rx/M1Sx - 1T8 - MP	115
M10/M1Rx/M1Sx - 1T8 - SD	116
M10S/M1RxS/M1SxS - 1 T5 - SD	116
M10S/M1RxS/M1SxS - 1 T5 - OD	116
M1N - 1T5 - MP	117
M1N - 1T5 - SD	117
M1N - 1T5 - OD	117
M1B - 1T5 - SD	118
M1B - 1T5 - OD	118
M1B - 2T5 - MP	118

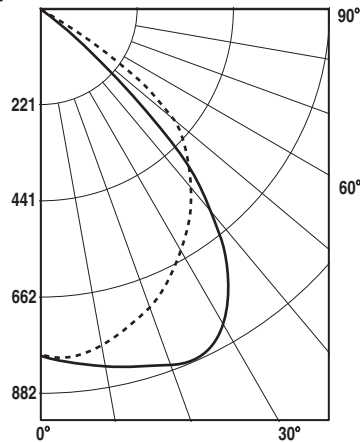
M60 Photometry



M60/M6Rx / 1T5 / Silky Specular Parabolic



Catalog #: **M60-1T5-MP**
 Lamp: **1x F28T5 @ 2610 lumens**
 Report #: **SX771AA0**
 Luminaire Efficiency: **60.7%**
 Maximum Candela: **882 @ 25°**
 This fixture is **RP1 Preferred**
 (Intensity less than 300 candela at 55 degree and above in the 0, 45 and 90 degree photometric planes)



0° Horizontal Plane is parallel with the lamp.
 90° Horizontal Plane is perpendicular to the lamp.

COEFFICIENTS OF UTILIZATION - Zonal cavity method

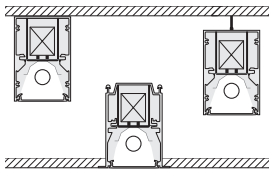
RC	80				70				50				30				10				0
	RW	70	50	30	10	70	50	30	10	50	30	10	50	30	10	50	30	10	0		
0	72	72	72	72	71	71	71	71	67	67	67	65	65	65	62	62	62	61			
1	68	66	64	63	67	65	63	62	62	61	60	60	59	58	58	57	56	55			
2	64	60	57	54	62	59	56	54	57	54	52	55	53	51	53	52	50	49			
3	59	54	50	47	58	53	50	47	52	49	46	50	48	46	49	47	45	44			
4	55	49	45	42	54	49	45	42	47	44	41	46	43	40	45	42	40	39			
5	51	45	40	37	50	44	40	37	43	39	37	42	39	36	41	38	36	35			
6	48	41	36	33	47	40	36	33	39	36	33	38	35	32	38	35	32	31			
7	45	38	33	30	44	37	33	30	36	32	29	35	32	29	35	31	29	28			
8	42	34	30	27	41	34	30	27	33	29	27	33	29	27	32	29	26	25			
9	39	32	27	24	38	31	27	24	31	27	24	30	27	24	30	26	24	23			
10	37	29	25	22	36	29	25	22	29	25	22	28	25	22	28	24	22	21			

	CANDELA DISTRIBUTION				
	0.0	22.5	45.0	67.5	90.0
0	796	796	796	796	796
5	823	820	814	805	806
15	859	850	816	788	757
25	882	861	801	744	696
35	756	750	742	662	600
45	411	444	510	532	482
55	34	79	195	272	254
65	2	15	25	4	4
75	1	1	1	1	1
85	0	0	0	0	0
90	0	0	0	0	0

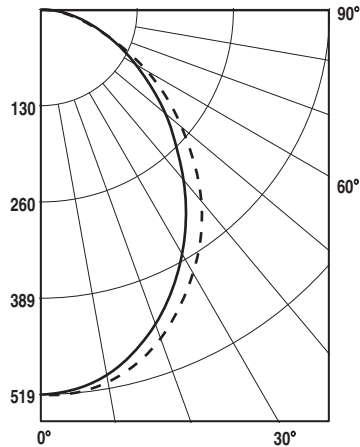
Effective Floor Cavity Reflectance 0.20

ZONAL LUMEN SUMMARY			
ZONE	LUMENS	%LAMP	%FIXT.
0-30	675.6	24.7	40.8
0-40	1113.0	40.8	67.2
0-60	1638.0	60.0	98.8
0-90	1657.0	60.7	100.0
90-180	0.0	0.0	0.0
0-180	1657.0	60.7	100.0

M60/M6Rx / 1 T5 / Satine Lens



Catalog #: **M60-1T5-SD**
 Lamp: **1x F28T5 @ 2610 lumens**
 Report #: **SX7725D**
 Luminaire Efficiency: **44.1%**
 Maximum Candela: **519 @ 0°**
 This fixture is **RP1 Preferred**
 (Intensity less than 300 candela at 55 degree and above in the 0, 45 and 90 degree photometric planes)



0° Horizontal Plane is parallel with the lamp.
 90° Horizontal Plane is perpendicular to the lamp.

COEFFICIENTS OF UTILIZATION - Zonal cavity method

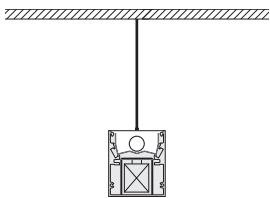
RC	80				70				50				30				10				0
	RW	70	50	30	10	70	50	30	10	50	30	10	50	30	10	50	30	10	0		
0	52	52	52	52	51	51	51	51	49	49	49	47	47	47	45	45	45	44			
1	48	46	44	43	47	45	44	42	43	42	41	42	41	40	40	39	38	37			
2	44	41	38	35	43	40	37	35	38	36	34	37	35	33	36	34	33	32			
3	40	36	33	30	39	35	32	30	34	31	29	33	30	29	32	30	28	27			
4	37	32	28	26	36	32	28	25	30	27	25	29	27	25	28	26	24	23			
5	34	29	25	22	33	28	25	22	27	24	22	27	24	22	26	23	21	21			
6	32	26	22	20	31	26	22	20	25	22	19	24	21	19	24	21	19	18			
7	30	24	20	17	29	23	20	17	23	20	17	22	19	17	22	19	17	16			
8	28	22	18	16	27	22	18	16	21	18	16	20	18	15	20	17	15	15			
9	26	20	17	14	25	20	16	14	19	16	14	19	16	14	18	16	14	13			
10	24	19	15	13	24	18	15	13	18	15	13	18	15	13	17	15	13	12			

	CANDELA DISTRIBUTION				
	0.0	22.5	45.0	67.5	90.0
0	519	519	519	519	519
5	515	514	514	516	518
15	480	481	485	489	493
25	418	577	429	439	445
35	339	421	355	368	376
45	258	261	271	284	292
55	182	185	192	201	206
65	115	117	121	126	128
75	61	61	62	63	63
85	21	21	20	18	16
90	8	7	5	3	1

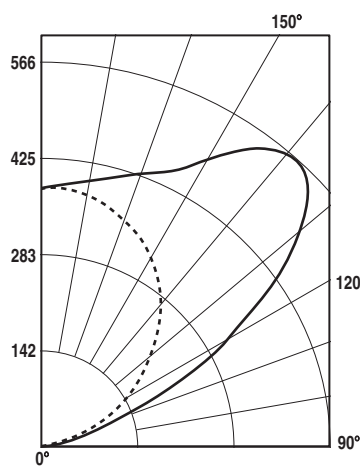
Effective Floor Cavity Reflectance 0.20

ZONAL LUMEN SUMMARY			
ZONE	LUMENS	%LAMP	%FIXT.
0-30	382.9	14.1	31.9
0-40	605.0	22.2	50.5
0-60	988.8	36.4	82.5
0-90	1198.6	44.1	99.9
90-180	0.7	0.0	0.1
0-180	1199.2	44.1	100.0

M6S / 1 T5



Catalog #: **M6S-1T5**
 Lamp: **1x F28T5 @ 2610 lumens**
 Report #: **SX7725IN**
 Luminaire Efficiency: **58.2%**
 Maximum Candela: **566 @ 140°**
 This fixture is **RP1 Relaxed**
 (Intensity less than 300 candela at 65 degree and above in the 0, 45 and 90 degree photometric planes)



0° Horizontal Plane is parallel with the lamp.
 90° Horizontal Plane is perpendicular to the lamp.

COEFFICIENTS OF UTILIZATION - Zonal cavity method

RC	80				70				50				30				10				0
	RW	70	50	30	10	70	50	30	10	50	30	10	50	30	10	50	30	10	0		
0	55	55	55	55	47	47	47	47	32	32	32	19	19	19	6	6	6	0			
1	50	48	46	44	43	41	39	38	28	27	26	16	16	15	5	5	5	0			
2	46	42	39	36	39	36	33	31	25	23	22	14	13	13	5	4	4	0			
3	42	37	33	30	36	32	28	26	22	20	18	12	12	11	4	4	3	0			
4	38	32	28	25	32	28	24	22	19	17	15	11	10	9	4	3	3	0			
5	35	29	24	21	30	25	21	18	17	15	13	10	9	8	3	3	3	0			
6	32	26	21	18	27	22	18	16	15	13	11	9	8	7	3	2	2	0			
7	29	23	19	16	25	20	16	14	14	11	10	8	7	6	3	2	2	0			
8	27	21	16	14	23	18	14	12	12	10	8	7	6	5	2	2	2	0			
9	25	19	15	12	21	16	13	10	11	9	7	6	5	4	2	2	1	0			
10	23	17	13	10	20	15	11	9	10	8	7	6	5	4	2	2	1	0			

	CANDELA DISTRIBUTION				
	0.0	22.5	45.0	67.5	90.0
90	1	1	1	1	1
95	7	7	7	8	4
105	61	65	80	90	41
115	217	229	256	203	108
125	416	422	410	267	177
135	552	530	438	300	243
145	534	491	402	333	297
155	443	426	398	359	339
165	411	405	390	372	367
175	385	384	382	378	382
180	379	379	379	379	379

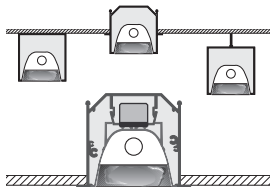
Effective Floor Cavity Reflectance 0.20

ZONAL LUMEN SUMMARY			
ZONE	LUMENS	%LAMP	%FIXT.
0-90	0.4	0.0	0.0
90-120	306.5	11.7	20.2
90-130	613.7	23.5	40.4
90-150	1190.1	45.6	40.4
90-180	1519.6	58.2	100.0
0-180	1520.0	58.2	100.0

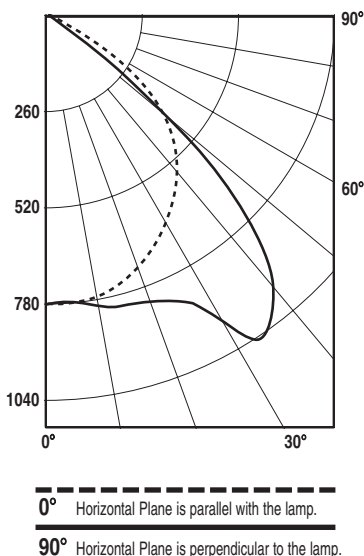
M100 Photometry



M10/M1Rx/M1Sx / 1 T5 / Specular Parabolic Louver



Catalog #: **M10-1T5-SA**
 Lamp: **1x F28T5 @ 2610 lumens**
 Report #: **LSI 15680**
 Luminaire Efficiency: **75.7%**
 Maximum Candela: **1051 @ 35°**
 This fixture is **RP1 Relaxed**
 (Intensity less than 300 candela at 65 degrees and above, in the 0, 45, and 90 degree photometric planes)



COEFFICIENTS OF UTILIZATION - Zonal cavity method

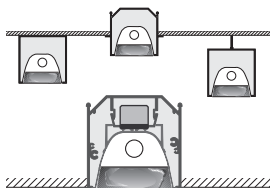
RC	80				70				50				30				10				0
	RW	70	50	30	10	70	50	30	10	50	30	10	50	30	10	50	30	10	0		
0	90	90	90	90	88	88	88	88	88	84	84	81	81	81	77	77	77	77	76		
1	85	82	79	77	83	80	78	76	77	75	74	74	73	71	72	70	69	68			
2	79	74	70	66	77	72	69	66	70	67	64	67	65	63	65	63	61	60			
3	73	66	61	57	71	65	61	57	63	59	56	61	58	55	59	56	54	53			
4	67	60	54	50	66	59	54	50	57	52	49	55	51	48	54	50	48	46			
5	62	54	48	44	61	53	48	43	52	47	43	50	46	43	49	45	42	41			
6	58	49	43	39	56	48	42	38	47	42	38	46	41	38	45	41	37	36			
7	54	44	38	34	52	44	38	34	43	38	34	42	37	34	41	37	33	32			
8	50	41	35	31	49	40	34	31	39	34	30	38	34	30	37	33	30	29			
9	47	37	31	28	46	37	31	27	36	31	27	35	31	27	34	30	27	26			
10	44	34	29	25	43	34	29	25	33	28	25	32	28	25	32	28	25	23			

Effective Floor Cavity Reflectance 0.20

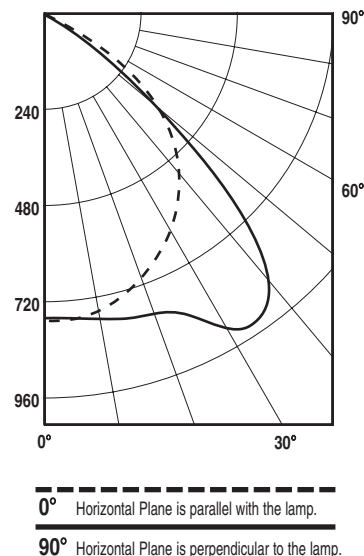
CANDELA DISTRIBUTION					
	0.0	22.5	45.0	67.5	90.0
0	788	788	788	788	788
5	789	788	787	788	789
15	758	766	790	816	823
25	697	725	780	840	863
35	606	670	803	1003	1050
45	484	607	777	748	747
55	293	388	324	178	143
65	6.4	15.9	40.1	11.3	5.4
75	1.8	2.1	1.5	1.2	1.2
85	0.5	0.5	0.5	0.5	0.5
90	0.5	0.5	0.5	0.5	0.5

ZONAL LUMEN SUMMARY			
ZONE	LUMENS	%LAMP	%FIXT.
0-30	663.3	25.4	33.6
0-40	1173.1	44.9	59.4
0-60	1940.0	74.3	98.2
0-90	1976.2	75.7	100.0
90-180	0	0	0
0-180	1976.2	75.7	100.0

M10/M1Rx/M1Sx / 1 T5 / Matte Parabolic Louver



Catalog #: **M10-1T5-MA**
 Lamp: **1x F28T5 @ 2610 lumens**
 Report #: **LSI 15681**
 Luminaire Efficiency: **69.7%**
 Maximum Candela: **929 @ 35°**
 This fixture is **RP1 Relaxed**
 (Intensity less than 300 candela at 65 degrees and above, in the 0, 45, and 90 degree photometric planes)



COEFFICIENTS OF UTILIZATION - Zonal cavity method

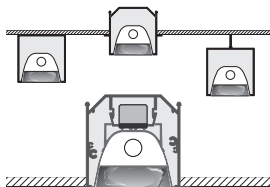
RC	80				70				50				30				10				0
	RW	70	50	30	10	70	50	30	10	50	30	10	50	30	10	50	30	10	0		
0	83	83	83	83	81	81	81	81	77	77	77	74	74	74	71	71	71	70			
1	78	75	73	71	76	74	72	70	71	69	68	68	67	66	66	65	64	62			
2	72	68	64	61	71	67	63	60	64	61	59	62	60	58	60	58	56	55			
3	67	61	56	53	65	60	56	52	58	54	51	56	53	50	54	52	50	48			
4	62	55	50	46	60	54	49	46	52	48	45	51	47	44	49	46	44	42			
5	57	50	44	40	56	49	44	40	47	43	40	46	42	39	45	42	39	38			
6	53	45	39	36	52	44	39	35	43	39	35	42	38	35	41	37	35	33			
7	49	41	35	32	48	40	35	32	39	35	31	38	34	31	38	34	31	30			
8	46	37	32	28	45	37	32	28	36	31	28	35	31	28	35	31	28	27			
9	43	34	29	26	42	34	29	26	33	29	25	33	28	25	32	28	25	24			
10	40	32	27	23	39	31	26	23	31	26	23	30	26	23	30	26	23	22			

Effective Floor Cavity Reflectance 0.20

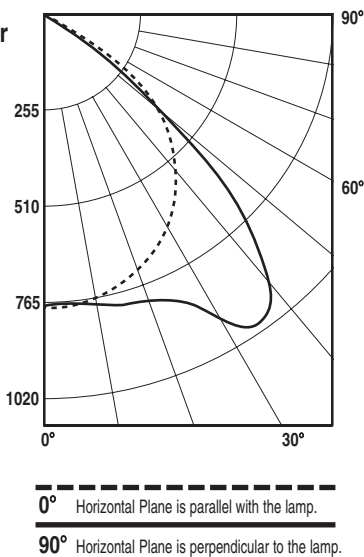
CANDELA DISTRIBUTION					
	0.0	22.5	45.0	67.5	90.0
0	760	760	760	760	760
5	763	760	756	756	758
15	726	731	751	774	784
25	663	684	733	789	823
35	574	621	729	880	929
45	451	525	651	663	673
55	255	310	295	178	155
65	26	34	44	27	20
75	7	6	5	4	3
85	0.5	0.5	0.5	0.5	0.5
90	0.5	0.5	0.5	0.5	0.5

ZONAL LUMEN SUMMARY			
ZONE	LUMENS	%LAMP	%FIXT.
0-30	628.3	24.1	34.5
0-40	1089.6	41.7	59.9
0-60	1767.3	67.7	97.2
0-90	1818.5	69.7	100.0
90-180	0	0	0
0-180	1818.5	69.7	100.0

M10/M1Rx/M1Sx / 1 T5 / Silky Specular Parabolic Louver



Catalog #: **M10-1T5-MP**
 Lamp: **1x F28T5 @ 2610 lumens**
 Report #: **LSI 15682**
 Luminaire Efficiency: **74.9%**
 Maximum Candela: **1010 @ 35°**
 This fixture is **RP1 Relaxed**
 (Intensity less than 300 candela at 65 degrees and above, in the 0, 45, and 90 degree photometric planes)



COEFFICIENTS OF UTILIZATION - Zonal cavity method

RC	80				70				50				30				10				0
	RW	70	50	30	10	70	50	30	10	50	30	10	50	30	10	50	30	10	0		
0	89	89	89	89	87	87	87	87	83	83	83	80	80	80	76	76	76	75			
1	84	81	79	76	82	79	77	75	76	74	73	73	72	71	71	70	69	67			
2	78	73	69	65	76	71	68	65	69	66	63	67	64	62	64	62	61	59			
3	72	65	60	56	70	64	60	56	62	58	55	60	57	54	58	56	53	52			
4	66	59	53	49	65	58	53	49	56	52	48	55	51	48	53	50	47	46			
5	62	53	47	43	60	52	47	43	51	46	42	49	45	42	48	44	42	40			
6	57	48	42	38	56	47	42	38	46	41	37	45	41	37	44	40	37	36			
7	53	44	38	34	52	43	38	34	42	37	33	41	37	33	40	36	33	32			
8	49	40	34	30	48	40	34	30	39	34	30	38	33	30	37	33	30	28			
9	46	37	31	27	45	36	31	27	35	30	27	35	30	27	34	30	27	26			
10	43	34	28	25	42	33	28	25	33	28	24	32	28	24	31	27	24	23			

Effective Floor Cavity Reflectance 0.20

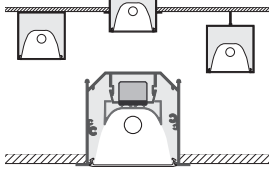
CANDELA DISTRIBUTION					
	0.0	22.5	45.0	67.5	90.0
0	781	781	781	781	781
5	786	783	778	777	778
15	755	759	780	802	809
25	694	717	772	825	847
35	603	661	786	970	1010
45	481	583	747	749	746
55	268	352	341	195	154
65	14	26	44	16	9
75	3	3	2	3	0.8
85	0.5	0.5	0.5	0.5	0.5
90	0.5	0.5	0.5	0.5	0.5

ZONAL LUMEN SUMMARY			
ZONE	LUMENS	%LAMP	%FIXT.
0-30	654.5	25.1	33.5
0-40	1152.5	44.2	59.0
0-60	1910.8	73.2	97.8
0-90	1954.1	74.9	100.0
90-180	0	0	0
0-180	1954.1	74.9	100.0

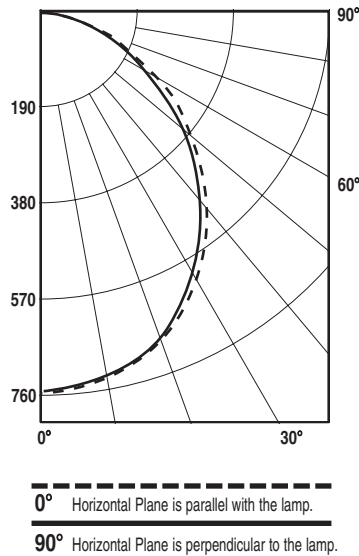
M100 Photometry



M10/M1Rx/M1Sx / 1 T5 / Satine Lens



Catalog #: **M10-1T5-SD**
 Lamp: **1x F28T5 @ 2610 lumens**
 Report #: **LSI 15688**
 Luminaire Efficiency: **71.8%**
 Maximum Candela: **753 @ 2.5°**
 This fixture is **RP1 Relaxed**
 (Intensity less than 300 candela at 65 degrees and above, in the 0, 45, and 90 degree photometric planes)



COEFFICIENTS OF UTILIZATION - Zonal cavity method

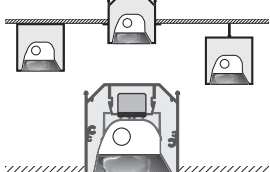
RC	80				70				50				30				10				0
	RW	70	50	30	10	70	50	30	10	50	30	10	50	30	10	50	30	10	0		
0	85	85	85	85	83	83	83	83	80	80	80	76	76	76	73	73	73	72	72		
1	78	75	72	70	76	73	71	68	70	68	66	68	66	64	65	64	62	61	61		
2	72	66	61	57	70	65	60	57	62	58	55	60	57	54	58	55	53	51	51		
3	66	58	53	48	64	57	52	48	55	51	47	53	49	46	51	48	45	44	44		
4	60	52	46	41	59	51	45	41	49	44	40	47	43	40	46	42	39	38	38		
5	56	47	40	36	54	46	40	35	44	39	35	43	38	35	42	38	34	33	33		
6	51	42	36	31	50	41	35	31	40	35	31	39	34	31	38	34	30	29	29		
7	48	38	32	28	46	38	32	28	37	31	28	36	31	27	35	30	27	26	26		
8	44	35	29	25	43	34	29	25	34	28	25	33	28	25	32	28	24	23	23		
9	42	32	26	23	41	32	26	22	31	26	22	30	26	22	29	25	22	21	21		
10	39	30	24	20	38	29	24	20	29	24	20	28	23	20	27	23	20	19	19		

Effective Floor Cavity Reflectance 0.20

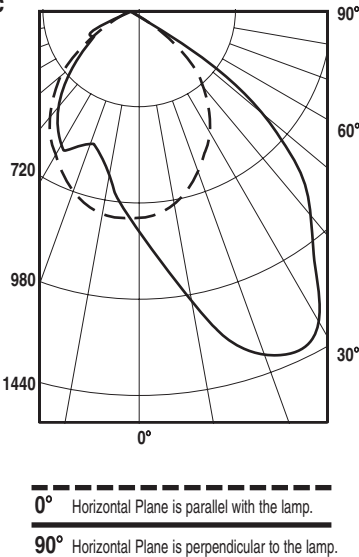
CANDELA DISTRIBUTION					
	0.0	22.5	45	67.5	90
0	749	749	749	749	749
5	751	749	743	742	744
15	720	718	714	711	715
25	658	654	652	647	649
35	567	561	557	546	546
45	451	444	437	424	423
55	327	321	313	302	300
65	207	205	198	192	191
75	105	104	102	100	98
85	26	28	27	28	27
90	0.5	0.5	0.5	0.5	0.5

ZONAL LUMEN SUMMARY			
ZONE	LUMENS	%LAMP	%FIXT.
0-30	572.3	21.9	30.6
0-40	919.4	35.2	49.1
0-60	1534.6	58.8	81.9
0-90	1872.7	71.8	100.0
90-180	0	0	0
0-180	1872.7	71.8	100.0

M1A/M1RAX / 1 T5 / Asymmetric Silky Specular Louver



Catalog #: **M1RA-1T5-AMP**
 Lamp: **1x F28T5 @ 2720 lumens**
 Report #: **3024_28**
 Luminaire Efficiency: **70.8%**
 Maximum Candela: **1413 @ 25°**



COEFFICIENTS OF UTILIZATION - Zonal cavity method

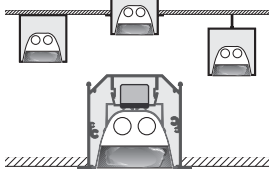
RC	80				70				50				30				10				0
	RW	70	50	30	10	70	50	30	10	50	30	10	50	30	10	50	30	10	0		
0	84	84	84	84	82	82	82	82	79	79	79	75	75	75	72	72	72	71	71		
1	79	77	74	72	77	75	73	71	72	70	69	68	67	67	66	65	64	64	64		
2	73	69	65	62	72	68	64	61	65	62	60	63	61	59	61	59	57	56	56		
3	68	62	57	54	66	61	57	53	59	55	52	57	54	51	55	53	50	49	49		
4	63	56	51	47	61	55	50	46	53	49	46	52	48	45	50	47	45	43	43		
5	58	50	45	41	57	50	45	41	48	44	40	47	43	40	46	42	40	38	38		
6	54	46	40	36	53	45	40	36	44	39	36	43	39	35	42	38	35	34	34		
7	50	42	36	32	49	41	36	32	40	35	32	39	35	32	38	34	32	30	30		
8	47	38	33	29	46	38	32	29	37	32	29	36	32	29	35	31	28	27	27		
9	44	35	30	26	43	35	30	26	34	29	26	33	29	26	32	29	26	24	24		
10	41	32	27	24	40	32	27	24	31	27	24	31	26	23	30	26	23	22	22		

Effective Floor Cavity Reflectance 0.20

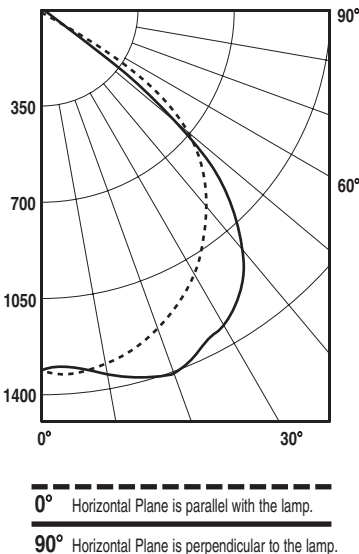
CANDELA DISTRIBUTION					
	0/180	45/135	90	225/315	270
0	764	764	764	764	764
5	767	854	889	711	676
15	718	1049	1223	552	511
25	627	1226	1413	507	577
35	518	1214	1212	505	473
45	373	943	932	342	314
55	181	370	465	225	160
65	5	40	8	53	146
75	1	1	0.5	0.8	0.3
85	0.3	0.3	0.3	0.3	0
90	0	0	0	0	0

ZONAL LUMEN SUMMARY			
ZONE	LUMENS	%LAMP	%FIXT.
0-30	688.4	25.3	35.8
0-40	1167.8	42.9	60.7
0-60	1870.4	68.8	97.1
0-90	1925.4	70.8	100.0
90-180	0	0	0
0-180	1925.4	70.8	100.0

M10/M1Rx/M1Sx / 2 T5 / Specular Parabolic Louver



Catalog #: **M10-2T5-SA**
 Lamp: **2x F28T5 @ 2610 lumens**
 Report #: **LSI 15692**
 Luminaire Efficiency: **58%**
 Maximum Candela: **1407 @ 20°**
 This fixture is **RP1 Relaxed**
 (Intensity less than 300 candela at 65 degrees and above, in the 0, 45, and 90 degree photometric planes)



COEFFICIENTS OF UTILIZATION - Zonal cavity method

RC	80				70				50				30				10				0
	RW	70	50	30	10	70	50	30	10	50	30	10	50	30	10	50	30	10	0		
0	69	69	69	69	67	67	67	67	64	64	64	62	62	62	59	59	59	58	58		
1	65	63	61	59	63	61	60	58	59	58	56	57	56	55	55	54	53	52	52		
2	60	57	53	51	59	55	53	50	54	51	49	52	50	48	50	48	47	46	46		
3	56	51	47	44	55	50	46	44	48	45	43	47	44	42	45	43	42	40	40		
4	52	46	42	38	50	45	41	38	44	40	38	43	40	37	41	39	37	36	36		
5	48	42	37	34	47	41	37	34	40	36	33	39	35	33	38	35	33	32	32		
6	44	38	33	30	43	37	33	30	36	32	30	35	32	29	34	31	29	28	28		
7	41	34	30	27	40	34	30	27	33	29	26	32	29	26	32	28	26	25	25		
8	39	31	27	24	38	31	27	24	30	27	24	30	26	24	29	26	24	22	22		
9	36	29	25	22	35	29	24	22	28	24	21	27	24	21	27	24	21	20	20		
10	34	27	22	20	33	26	22	20	26	22	20	25	22	19	25	22	19	18	18		

Effective Floor Cavity Reflectance 0.20

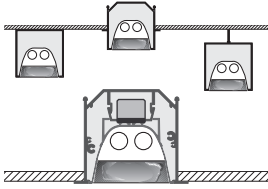
CANDELA DISTRIBUTION					
	0.0	22.5	45.0	67.5	90.0
0	1311	1311	1311	1311	1311
5	1327	1319	1310	1311	1314
15	1278	1290	1329	1366	1382
25	1178	1225	1331	1363	1367
35	1035	1131	1195	1253	1261
45	838	945	973	955	962
55	519	556	490	356	294
65	15	30	74	25	10
75	4	4	4	5	3
85	2	2	2	2	2
90	0.5	0.5	0.5	0.5	0.5

ZONAL LUMEN SUMMARY			
ZONE	LUMENS	%LAMP	%FIXT.
0-30	1099.6	21.1	36.3
0-40	1835.5	35.2	60.7
0-60	2955.3	56.6	97.7
0-90	3025.9	58.0	100.0
90-180	0	0	0
0-180	3025.9	58.0	100.0

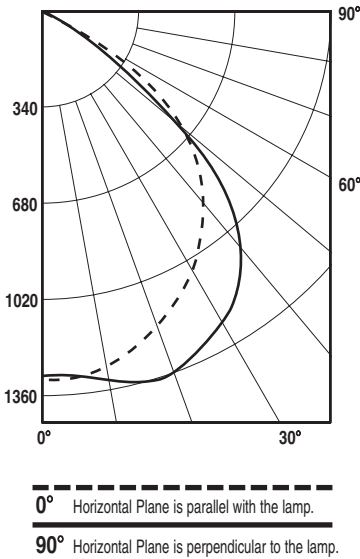
M100 Photometry



M10/M1Rx/M1Sx / 2 T5 / Matte Parabolic Louver



Catalog #: **M10-2T5-MA**
 Lamp: **2x F28T5 @ 2610 lumens**
 Report #: **LSI 15693**
 Luminaire Efficiency: **55.1%**
 Maximum Candela: **1369 @ 17.5°**
 This fixture is **RP1 Relaxed**
 (Intensity less than 300 candela at 65 degrees and above, in the 0, 45, and 90 degree photometric planes)



COEFFICIENTS OF UTILIZATION - Zonal cavity method

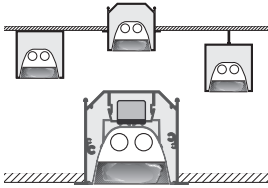
RC	80				70				50				30				10				0
	RW	70	50	30	10	70	50	30	10	50	30	10	50	30	10	50	30	10	0		
0	66	66	66	66	64	64	64	64	61	61	61	59	59	59	56	56	56	55	55		
1	61	60	58	56	60	58	57	55	56	55	54	54	53	52	52	51	50	49	49		
2	57	54	51	48	56	53	50	48	51	49	47	49	47	46	47	46	45	44	44		
3	53	48	45	42	52	47	44	41	46	43	41	44	42	40	43	41	39	38	38		
4	49	44	40	36	48	43	39	36	42	38	36	40	38	35	39	37	35	34	34		
5	45	39	35	32	44	39	35	32	38	34	32	37	34	31	36	33	31	30	30		
6	42	36	32	28	41	35	31	28	34	31	28	34	30	28	33	30	28	27	27		
7	39	33	28	25	38	32	28	25	31	28	25	31	27	25	30	27	25	24	24		
8	37	30	26	23	36	30	26	23	29	25	23	28	25	23	28	25	22	21	21		
9	34	28	23	21	34	27	23	21	27	23	21	26	23	20	26	23	20	19	19		
10	32	26	21	19	32	25	21	19	25	21	19	24	21	19	24	21	19	18	18		

Effective Floor Cavity Reflectance 0.20

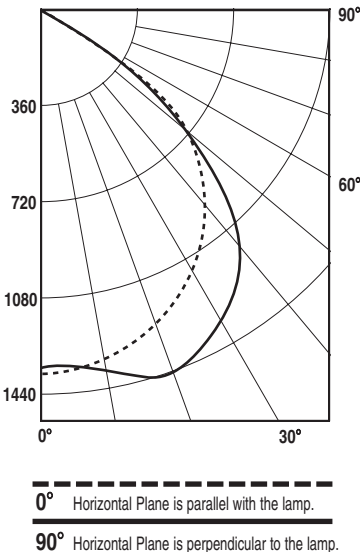
CANDELA DISTRIBUTION					
	0.0	22.5	45.0	67.5	90.0
0	1295	1295	1295	1295	1295
5	1302	1299	1294	1296	1302
15	1240	1256	1298	1338	1360
25	1135	1178	1263	1308	1328
35	985	1056	1114	1165	1203
45	780	843	866	888	918
55	450	474	451	352	315
65	46	57	79	50	33
75	12	11	11	9	8
85	3	3	2	3	2
90	0.5	0.5	0.5	0.5	0.5

ZONAL LUMEN SUMMARY			
ZONE	LUMENS	%LAMP	%FIXT.
0-30	1063.6	20.4	37.0
0-40	1753.2	33.6	61.0
0-60	2780.5	53.3	96.7
0-90	2874.2	55.1	100.0
90-180	0	0	0
0-180	2874.2	55.1	100.0

M10/M1Rx/M1Sx / 2 T5 / Silky Specular Parabolic Louver



Catalog #: **M10-2T5-MP**
 Lamp: **2x F28T5 @ 2610 lumens**
 Report #: **LSI 15694**
 Luminaire Efficiency: **58.9%**
 Maximum Candela: **1443 @ 20°**
 This fixture is **RP1 Relaxed**
 (Intensity less than 300 candela at 65 degrees and above, in the 0, 45, and 90 degree photometric planes)



COEFFICIENTS OF UTILIZATION - Zonal cavity method

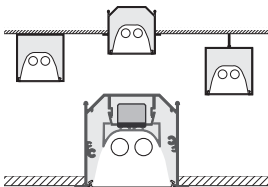
RC	80				70				50				30				10				0
	RW	70	50	30	10	70	50	30	10	50	30	10	50	30	10	50	30	10	0		
0	70	70	70	70	68	68	68	68	65	65	65	63	63	63	60	60	60	59	59		
1	66	64	62	60	64	62	61	59	60	59	57	58	57	56	56	55	54	53	53		
2	61	57	54	52	60	56	53	51	54	52	50	53	51	49	51	49	48	47	47		
3	57	52	48	45	55	51	47	44	49	46	44	48	45	43	46	44	42	41	41		
4	53	47	42	39	51	46	42	39	45	41	38	43	40	38	42	39	37	36	36		
5	49	42	38	34	48	42	37	34	40	37	34	39	36	33	38	35	33	32	32		
6	45	38	34	30	44	38	33	30	37	33	30	36	32	30	35	32	30	29	29		
7	42	35	30	27	41	35	30	27	34	30	27	33	29	27	32	29	27	25	25		
8	39	32	28	24	38	32	27	24	31	27	24	30	27	24	30	26	24	23	23		
9	37	29	25	22	36	29	25	22	29	25	22	28	24	22	27	24	22	21	21		
10	34	27	23	20	34	27	23	20	26	23	20	26	22	20	25	22	20	19	19		

Effective Floor Cavity Reflectance 0.20

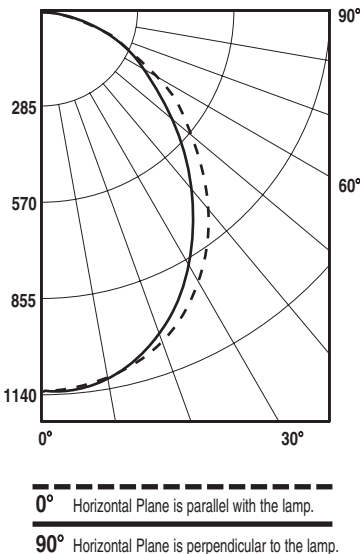
CANDELA DISTRIBUTION					
	0.0	22.5	45.0	67.5	90.0
0	1346	1346	1346	1346	1346
5	1355	1352	1343	1345	1349
15	1306	1318	1365	1407	1424
25	1203	1253	1360	1399	1404
35	1052	1150	1223	1268	1284
45	844	940	966	961	975
55	480	530	497	373	316
65	26	43	78	34	17
75	6	5	5	6	4
85	2	2	3	3	2
90	0.5	0.5	0.5	0.5	0.5

ZONAL LUMEN SUMMARY			
ZONE	LUMENS	%LAMP	%FIXT.
0-30	1126.6	21.6	36.6
0-40	1874.5	35.9	61.0
0-60	2994.9	57.4	97.4
0-90	3074.2	58.9	100.0
90-180	0	0	0
0-180	3074.2	58.9	100.0

M10/M1Rx/M1Sx / 2 T5 / Satine Lens



Catalog #: **M10-2T5-SD**
 Lamp: **2x F28T5 @ 2610 lumens**
 Report #: **LSI 15700**
 Luminaire Efficiency: **51.9%**
 Maximum Candela: **1137 @ 2.5°**



COEFFICIENTS OF UTILIZATION - Zonal cavity method

RC	80				70				50				30				10				0
	RW	70	50	30	10	70	50	30	10	50	30	10	50	30	10	50	30	10	0		
0	62	62	62	62	60	60	60	60	58	58	58	55	55	55	53	53	53	52	52		
1	57	54	52	50	55	53	51	50	51	50	48	49	48	47	47	46	45	44	44		
2	52	48	45	42	51	47	44	41	45	43	40	43	41	39	42	40	38	37	37		
3	48	42	38	35	46	42	38	35	40	37	34	39	36	34	37	35	33	32	32		
4	44	38	33	30	43	37	33	30	36	32	29	35	32	29	34	31	29	28	28		
5	40	34	29	26	39	33	29	26	32	29	26	31	28	25	30	27	25	24	24		
6	37	31	26	23	36	30	26	23	29	26	23	28	25	23	28	25	22	21	21		
7	35	28	24	20	34	28	23	20	27	23	20	26	23	20	25	22	20	19	19		
8	32	26	21	18	32	25	21	18	25	21	18	24	21	18	23	20	18	17	17		
9	30	24	19	17	30	23	19	17	23	19	16	22	19	16	22	19	16	15	15		
10	28	22	18	15	28	22	18	15	21	17	15	21	17	15	20	17	15	14	14		

Effective Floor Cavity Reflectance 0.20

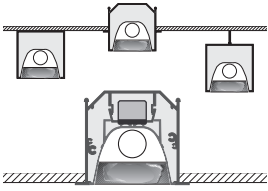
CANDELA DISTRIBUTION					
	0.0	22.5	45.0	67.5	90.0
0	1135	1135	1135	1135	1135
5	1133	1132	1124	1122	1126
15	1085	1082	1073	1066	1067
25	989	982	965	948	946
35	845	837	811	787	779
45	669	654	625	598	591
55	482	465	444	418	414
65	301	295	275	262	257
75	147	146	137	133	129
85	36	38	35	37	33
90	0.5	0.5	0.5	0.5	0.5

ZONAL LUMEN SUMMARY			
ZONE	LUMENS	%LAMP	%FIXT.
0-30	853.9	16.4	31.5
0-40	1360.5	26.1	50.2
0-60	2241.6	42.9	82.7
0-90	2709.0	51.9	100.0
90-180	0	0	0
0-180	2709.0	51.9	100.0

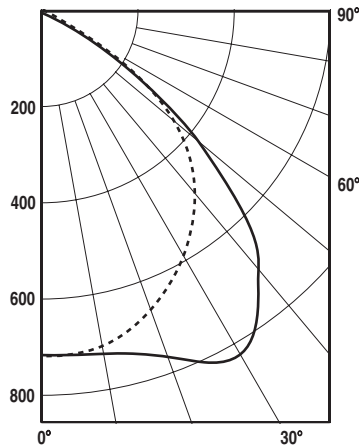
M100 Photometry



M10/M1Rx/M1Sx / 1 T8 / Specular Parabolic Louver



Catalog #: **M10-1T8-SA**
 Lamp: **1x F32T8 @ 2950 lumens**
 Report #: **LSI 15671**
 Luminaire Efficiency: **59.8%**
 Maximum Candela: **828 @ 27.5°**
 This fixture is **RP1 Relaxed**
 (Intensity less than 300 candela at 65 degrees and above, in the 0, 45, and 90 degree photometric planes)



0° Horizontal Plane is parallel with the lamp.
 90° Horizontal Plane is perpendicular to the lamp.

COEFFICIENTS OF UTILIZATION - Zonal cavity method

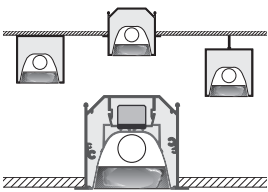
RC	80				70				50				30				10				0								
	RW	70	50	30	10	70	50	30	10	50	30	10	50	30	10	50	30	10	50	30	10	50	30	10	50	30	10	50	30
0	71	71	71	71	71	70	70	70	70	66	66	66	64	64	64	61	61	61	60	60	60	59	59	59	56	56	56	55	55
1	67	65	63	61	60	65	63	62	60	61	59	58	58	57	56	56	56	55	54	54	54	53	53	53	51	51	51	49	49
2	62	58	55	52	50	60	57	54	51	55	52	50	53	51	49	51	50	48	47	47	47	46	46	46	44	44	44	42	41
3	57	52	48	45	45	56	51	47	44	49	46	44	48	45	43	46	44	43	42	42	42	41	41	41	39	39	39	37	36
4	53	47	42	39	39	52	46	42	39	45	41	38	43	40	38	42	39	37	36	36	36	35	35	33	33	33	32	32	
5	49	42	38	34	34	48	42	37	34	40	37	34	39	36	33	38	35	33	32	32	32	31	31	29	29	29	28	28	
6	45	38	34	30	30	44	38	33	30	37	33	30	36	32	29	35	32	29	28	28	28	27	27	25	25	25	24	24	
7	42	35	30	27	27	41	34	30	27	33	29	26	33	29	26	32	29	26	25	25	25	24	24	22	22	22	21	21	
8	39	32	27	24	24	38	31	27	24	31	27	24	30	26	24	29	26	23	22	22	22	21	21	19	19	19	18	18	
9	37	29	25	22	22	36	29	24	22	28	24	21	28	24	21	27	24	21	20	20	20	19	19	17	17	17	16	16	
10	34	27	22	20	20	34	27	22	19	26	22	19	26	22	19	25	22	19	18	18	18	17	17	15	15	15	14	14	

Effective Floor Cavity Reflectance 0.20

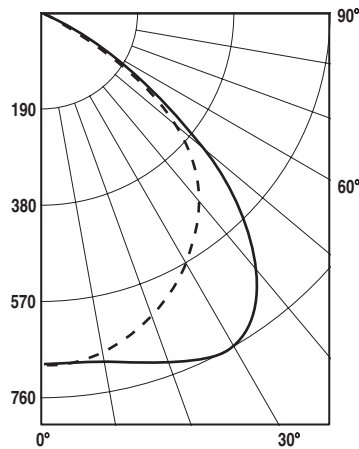
CANDELA DISTRIBUTION					
	0.0	22.5	45.0	67.5	90.0
0	722	722	722	722	722
5	724	720	716	716	718
15	694	695	711	730	741
25	634	652	708	785	813
35	553	601	717	776	794
45	442	527	594	594	595
55	274	326	309	278	282
65	6	16	55	33	13
75	1	.5	1	.5	1
85	0.5	0.5	0.5	0.5	0.5
90	0.5	0.5	0.5	0.5	0.5

ZONAL LUMEN SUMMARY			
ZONE	LUMENS	%LAMP	%FIXT.
0-30	601.6	20.4	34.1
0-40	1030.7	31.9	58.4
0-60	1713.9	58.1	97.2
0-90	1763.6	59.8	100.0
90-180	0	0	0
0-180	1763.6	59.8	100.0

M10/M1Rx/M1Sx / 1 T8 / Matte Parabolic Louver



Catalog #: **M10-1T8-MA**
 Lamp: **1x F32T8 @ 2950 lumens**
 Report #: **LSI 15672**
 Luminaire Efficiency: **55.3%**
 Maximum Candela: **763 @ 27.5°**
 This fixture is **RP1 Preferred**
 (Intensity less than 300 candela at 55 degree and above in the 0, 45 and 90 degree photometric planes)



0° Horizontal Plane is parallel with the lamp.
 90° Horizontal Plane is perpendicular to the lamp.

COEFFICIENTS OF UTILIZATION - Zonal cavity method

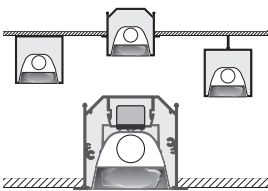
RC	80				70				50				30				10				0								
	RW	70	50	30	10	70	50	30	10	50	30	10	50	30	10	50	30	10	50	30	10	50	30	10	50	30	10	50	30
0	66	66	66	66	64	64	64	64	61	61	61	59	59	59	56	56	56	55	55	55	54	54	54	52	52	52	51	51	
1	62	60	58	56	60	58	57	55	56	55	54	54	53	52	52	51	51	49	49	49	47	47	47	45	45	45	43	43	
2	57	54	51	48	56	53	50	48	51	48	47	49	47	45	47	46	45	43	43	43	42	42	42	40	40	40	39	38	
3	53	48	44	42	52	47	44	41	46	43	40	44	42	40	43	41	39	38	38	38	37	37	37	35	35	35	33	33	
4	49	43	39	36	48	43	39	36	41	38	35	40	37	35	39	37	35	33	33	33	31	31	31	29	29	29	27	27	
5	45	39	35	32	44	39	35	31	37	34	31	36	33	31	35	33	31	29	29	29	27	27	27	25	25	25	24	24	
6	42	36	31	28	41	35	31	28	34	30	28	33	30	27	32	29	27	26	26	26	25	25	24	22	22	22	21	21	
7	39	32	28	25	38	32	28	25	31	27	25	30	27	25	30	27	24	24	24	24	23	23	23	21	21	21	20	20	
8	36	30	25	22	36	29	25	22	29	25	22	28	25	22	27	24	22	22	22	22	21	21	21	19	19	19	18	18	
9	34	27	23	20	33	27	23	20	26	23	20	26	22	20	25	22	20	19	19	19	18	18	18	16	16	16	15	15	
10	32	25	21	18	31	25	21	18	24	21	18	24	20	18	23	20	18	17	17	17	16	16	15	13	13	13	12	12	

Effective Floor Cavity Reflectance 0.20

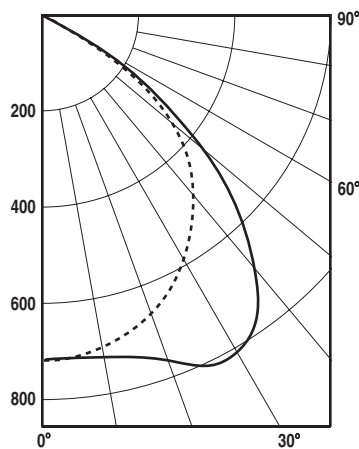
CANDELA DISTRIBUTION					
	0.0	22.5	45.0	67.5	90.0
0	695	695	695	695	695
5	694	693	689	691	694
15	663	666	684	703	717
25	606	621	676	733	758
35	524	565	644	701	728
45	415	468	517	524	539
55	241	268	269	250	256
65	24	32	54	38	31
75	4	4	5	4	2
85	0.5	0.5	0.5	0.5	1
90	0.5	0.5	0.5	0.5	0.5

ZONAL LUMEN SUMMARY			
ZONE	LUMENS	%LAMP	%FIXT.
0-30	573.0	19.4	35.1
0-40	966.4	32.8	59.2
0-60	1572.6	53.3	96.4
0-90	1631.4	55.3	100.0
90-180	0	0	0
0-180	1631.4	55.3	100.0

M10/M1Rx/M1Sx / 1 T8 / Silky Specular Parabolic Louver



Catalog #: **M10-1T8-MP**
 Lamp: **1x F32T8 @ 2950 lumens**
 Report #: **LSI 15673**
 Luminaire Efficiency: **58.7%**
 Maximum Candela: **810 @ 27.5°**
 This fixture is **RP1 Preferred**
 (Intensity less than 300 candela at 55 degree and above in the 0, 45 and 90 degree photometric planes)



0° Horizontal Plane is parallel with the lamp.
 90° Horizontal Plane is perpendicular to the lamp.

COEFFICIENTS OF UTILIZATION - Zonal cavity method

RC	80				70				50				30				10				0								
	RW	70	50	30	10	70	50	30	10	50	30	10	50	30	10	50	30	10	50	30	10	50	30	10	50	30	10	50	30
0	70	70	70	70	68	68	68	68	65	65	65	62	62	62	60	60	60	60	60	60	59	59	59	57	57	57	55	55	
1	65	63	61	60	64	62	60	59	60	58	57	57	56	55	55	54	54	53	53	53	51	51	51	49	49	49	47	47	
2	61	57	54	51	59	56	53	51	54	51	49	52	50	48	50	49	47	46	46	46	45	45	45	43	43	43	42	42	
3	56	51	47	44	55	50	47	44	49	45	43	47	44	42	46	43	42	41	41	41	40	40	40	38	38	38	37	37	
4	52	46	42	38	51	45	41	38	44	40	38	43	40	37	41	39	37	35	35	35	34	34	33	31	31	31	30	30	
5	48	41	37	34	47	41	37	33	40	36	33	39	35	33	38	35	32	31	31	31	30	30	29	27	27	27	26	26	
6	45	38	33	30	44	37	33	29	36	32	29	35	32	29	34	31	29	28	28	28	27	27	26	24	24	24	23	23	
7	41	34	30	26	40	34	29	26	33	29	26	32	29	26	31	28	26	25	25	25	24	24	23	21	21	21	20	20	
8	39	31	27	24	38	31	27	23	30	26	23	29	26	23	29	26	23	22	22	22	21	21	20	18	18	18	17	17	
9	36	29	24	21	35	28	24	21	28	24	21	27	24	21	27	24	21	20	20	20	19	19	18	16	16	16	15	15	
10	34	26	22	19	33	26	22	19	26	22	19	25	22	19	25	21	19	18	18	18	17	17	16	14	14	14	13	13	

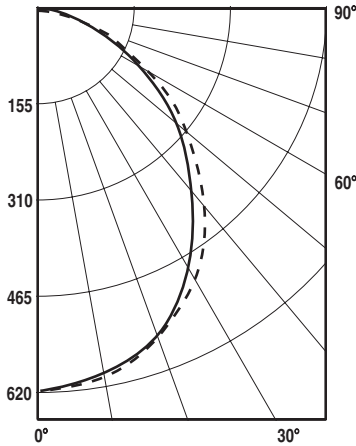
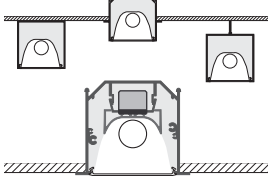
Effective Floor Cavity Reflectance 0.20

CANDELA DISTRIBUTION					
	0.0	22.5	45.0	67.5	90.0
0	710	710	710	710	710
5	713	710	707	707	710
15	685	689	705	723	734
25	626	646	704	776	800
35	544	596	702	760	775
45	433	512	574	575	576
55	250	300	301	275	282
65	12	24			

M100 Photometry



M10/M1Rx/M1Sx - 1 T8 / Satine Lens



0° Horizontal Plane is parallel with the lamp.
90° Horizontal Plane is perpendicular to the lamp.

Catalog #: **M10-1T8-SD**
Lamp: **1x F32T8 @ 2950 lumens**
Report #: **LSI 15679**
Luminaire Efficiency: **50.7%**
Maximum Candela: **616 @ 2.5°**
This fixture is **RP1 Preferred**
(Intensity less than 300 candela at 55 degree and above in the 0, 45 and 90 degree photometric planes)

COEFFICIENTS OF UTILIZATION - Zonal cavity method

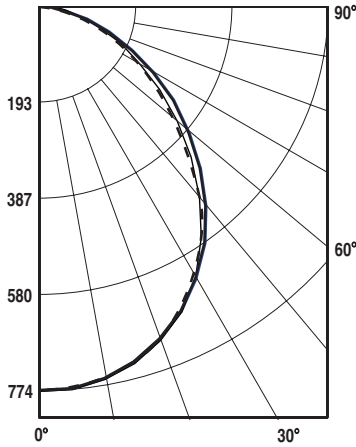
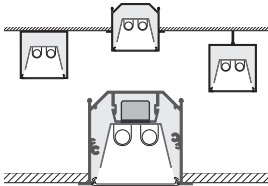
RC	80				70				50				30				10				0	
	RW	70	50	30	10	70	50	30	10	50	30	10	50	30	10	50	30	10	50	30	10	0
0	60	60	60	60	60	59	59	59	59	56	56	56	54	54	54	52	52	52	51			
1	55	53	51	49	54	52	50	48	50	48	47	48	47	45	46	45	44	43				
2	51	47	43	41	49	46	43	40	44	41	39	42	40	38	41	39	38	36				
3	46	41	37	34	45	41	37	34	39	36	33	38	35	33	36	34	32	31				
4	43	37	33	29	42	36	32	29	35	31	29	34	31	28	33	30	28	27				
5	39	33	29	25	38	33	28	25	31	28	25	30	27	25	30	27	24	23				
6	36	30	26	22	35	29	25	22	29	25	22	28	24	22	27	24	22	21				
7	34	27	23	20	33	27	23	20	26	22	20	25	22	20	25	22	19	18				
8	32	25	21	18	31	25	21	18	24	20	18	23	20	18	23	20	17	17				
9	30	23	19	16	29	23	19	16	22	18	16	21	18	16	21	18	16	15				
10	28	21	17	15	27	21	17	15	20	17	15	20	17	15	20	17	14	14				

Effective Floor Cavity Reflectance 0.20

CANDELA DISTRIBUTION					
	0.0	22.5	45.0	67.5	90.0
0	614	614	614	614	614
5	613	612	609	608	609
15	587	586	583	581	582
25	535	533	528	523	524
35	458	455	447	439	437
45	361	356	347	338	335
55	260	254	248	236	237
65	164	161	155	150	148
75	80	81	77	76	75
85	19	20	19	21	19
90	0.5	0.5	0.5	0.5	0.5

ZONAL LUMEN SUMMARY			
ZONE	LUMENS	%LAMP	%FIXT.
0-30	465.5	15.8	31.1
0-40	744.7	25.2	49.8
0-60	1233.6	41.8	82.5
0-90	1495.5	50.7	100.0
90-180	0	0	0
0-180	1495.5	50.7	100.0

M10S/M1RxS/M1SxS - 1 T5 Staggered Lamps / Satine Lens



0° Horizontal Plane is parallel with the lamp.
90° Horizontal Plane is perpendicular to the lamp.

Catalog #: **M10S-1T5-SD**
Lamp: **1x F28T5 @ 2610 lumens**
Report #: **LSI 15688**
Luminaire Efficiency: **73%**
Maximum Candela: **774 @ 0°**

COEFFICIENTS OF UTILIZATION - Zonal cavity method

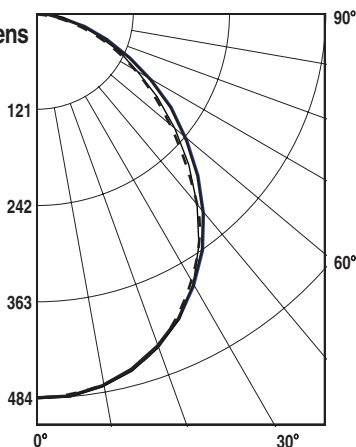
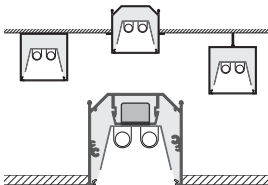
RC	80				70				50				30				10				0	
	RW	70	50	30	10	70	50	30	10	50	30	10	50	30	10	50	30	10	50	30	10	0
0	87	87	87	87	85	85	85	85	81	81	81	78	78	78	75	75	75	73				
1	80	77	74	71	78	75	72	70	72	70	68	69	67	66	66	65	64	62				
2	73	67	63	59	71	66	62	58	63	60	57	61	58	55	59	56	54	53				
3	67	60	54	49	65	58	53	49	56	52	48	54	51	47	53	49	47	45				
4	62	53	47	42	60	52	46	42	50	45	41	49	44	41	47	43	40	39				
5	57	48	41	37	55	47	41	37	45	40	36	44	39	36	43	39	35	34				
6	53	43	37	32	51	42	37	32	41	36	32	40	35	32	39	35	31	30				
7	49	39	33	29	48	39	33	29	38	32	28	37	32	28	36	31	28	27				
8	46	36	30	26	44	35	30	26	34	29	26	34	29	25	33	28	25	24				
9	43	33	27	23	42	33	27	23	32	27	23	31	26	23	30	26	23	22				
10	40	31	25	21	39	30	25	21	29	24	21	29	24	21	28	24	21	20				

Effective Floor Cavity Reflectance 0.20

CANDELA DISTRIBUTION					
	0.0	30	45	75	90
0	774	774	774	774	773
5	773	771	770	770	772
15	742	741	741	741	743
25	678	678	678	676	677
35	583	581	579	569	568
45	462	458	450	433	431
55	331	325	316	298	295
65	208	202	194	182	180
75	101	99	95	90	89
85	24	24	24	23	23
90	0.3	1.3	1.8	2.6	2.6

ZONAL LUMEN SUMMARY			
ZONE	LUMENS	%LAMP	%FIXT.
0-30	593.7	22.7	31.2
0-40	953.7	36.5	50.0
0-60	1581.2	60.6	83.0
0-90	1905.8	73	100.0
90-180	0	0	0
0-180	1905.8	73	100.0

M10S/M1RxS/M1SxS - 1 T5 Staggered Lamps/Extra Diffuse Lens



0° Horizontal Plane is parallel with the lamp.
90° Horizontal Plane is perpendicular to the lamp.

Catalog #: **M10S-1T5-OD**
Lamp: **1x F28T5 @ 2610 lumens**
Report #: **3024_28**
Luminaire Efficiency: **53.6%**
Maximum Candela: **484.15 @ 0°**

COEFFICIENTS OF UTILIZATION - Zonal cavity method

RC	80				70				50				30				10				0	
	RW	70	50	30	10	70	50	30	10	50	30	10	50	30	10	50	30	10	50	30	10	0
0	87	87	87	87	85	85	85	85	81	81	81	78	78	78	75	75	75	73				
1	80	77	74	71	78	75	72	70	72	70	68	69	67	66	66	65	64	62				
2	73	67	63	59	71	66	62	58	63	60	57	61	58	55	59	56	54	53				
3	67	60	54	49	65	58	53	49	56	52	48	54	51	47	53	49	47	45				
4	62	53	47	42	60	52	46	42	50	45	41	49	44	41	47	43	40	39				
5	57	48	41	37	55	47	41	37	45	40	36	44	39	36	43	39	35	34				
6	53	43	37	32	51	42	37	32	41	36	32	40	35	32	39	35	31	30				
7	49	39	33	29	48	39	33	29	38	32	28	37	32	28	36	31	28	27				
8	46	36	30	26	44	35	30	26	34	29	26	34	29	25	33	28	25	24				
9	43	33	27	23	42	33	27	23	32	27	23	31	26	23	30	26	23	22				
10	40	31	25	21	39	30	25	21	29	24	21	29	24	21	28	24	21	20				

Effective Floor Cavity Reflectance 0.20

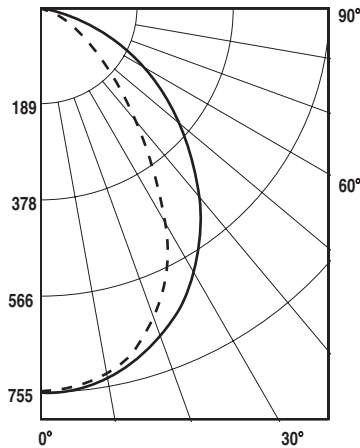
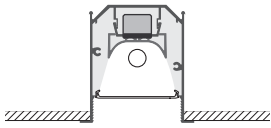
CANDELA DISTRIBUTION					
	0	30	45	75	90
0	484	484	484	484	484
5	484	483	481	481	483
15	467	465	464	475	466
25	434	432	431	431	433
35	386	384	384	383	385
45	327	325	324	324	326
55	257	256	255	255	256
65	180	178	177	178	178
75	95	94	94	96	96
85	19	21	24	25	25
90	0.5	2.9	4.2	6.5	6.8

ZONAL LUMEN SUMMARY			
ZONE	LUMENS	%LAMP	%FIXT.
0-30	375.8	14.4	26.9
0-40	616.2	23.6	44.0
0-60	1095.1	42.0	78.3
0-90	1399.5	53.6	100.0
90-180	0	0	0
0-180	1399.5	53.6	100.0

M100 Tannenbaum Photometry



M1Nx - 1 T5 / Satine Lens



0° Horizontal Plane is parallel with the lamp.
90° Horizontal Plane is perpendicular to the lamp.

Catalog #: M1N-1T5-SD
Lamp: 2x F28T5 @ 2610 lumens
Report #: LSI 15692
Luminaire Efficiency: 58%
Maximum Candela: 1407 @ 20°

COEFFICIENTS OF UTILIZATION - Zonal cavity method

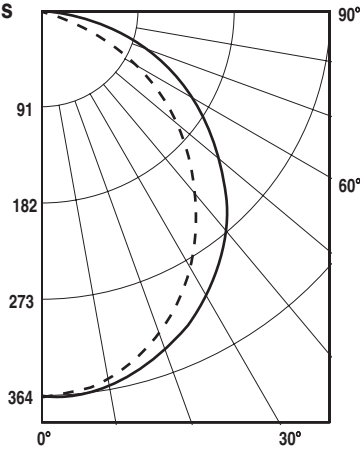
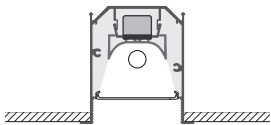
RC	80				70				50				30				10				0			
	RW	70	50	30	10	70	50	30	10	50	30	10	50	30	10	50	30	10	50	30	10	0	0	0
0	51	51	51	51	51	50	50	50	50	48	48	48	46	46	46	44	44	44	44	44	44	43	43	
1	47	45	44	42	42	46	44	43	42	43	41	40	41	40	39	39	39	38	38	38	37	37	37	
2	43	40	38	35	35	42	39	37	35	38	36	34	37	35	33	35	34	33	32	32	32	32	32	
3	40	36	33	30	30	39	35	32	30	34	31	29	33	31	29	32	30	28	27	27	27	27	27	
4	37	32	29	26	26	36	32	28	26	31	28	25	30	27	25	29	27	25	24	24	24	24	24	
5	34	29	25	23	23	33	29	25	23	28	25	22	27	24	22	26	24	22	21	21	21	21	21	
6	32	26	23	20	20	31	26	23	20	25	22	20	25	22	20	24	22	20	19	19	19	19	19	
7	30	24	21	18	18	29	24	20	18	23	20	18	23	20	18	22	20	18	17	17	17	17	17	
8	28	22	19	16	16	27	22	19	16	21	18	16	21	18	16	20	18	16	15	15	15	15	15	
9	26	20	17	15	15	25	20	17	15	20	17	15	19	17	15	19	16	15	14	14	14	14	14	
10	24	19	16	14	14	24	19	16	14	18	16	14	18	15	14	18	15	13	13	13	13	13	13	

Effective Floor Cavity Reflectance 0.20

	CANDELA DISTRIBUTION				
	0.0	22.5	45.0	67.5	90.0
0	1311	1311	1311	1311	1311
5	1327	1319	1310	1311	1314
15	1278	1290	1329	1366	1382
25	1178	1225	1331	1363	1367
35	1035	1131	1195	1253	1261
45	838	945	973	955	962
55	519	556	490	356	294
65	15	30	74	25	10
75	4	4	4	5	3
85	2	2	2	2	2
90	0.5	0.5	0.5	0.5	0.5

ZONAL LUMEN SUMMARY			
ZONE	LUMENS	%LAMP	%FIXT.
0-30	1099.6	21.1	36.3
0-40	1835.5	35.2	60.7
0-60	2955.3	56.6	97.7
0-90	3025.9	58.0	100.0
90-180	0	0	0
0-180	3025.9	58.0	100.0

M1Nx - 1 T5 / Extra Diffuse Lens



0° Horizontal Plane is parallel with the lamp.
90° Horizontal Plane is perpendicular to the lamp.

Catalog #: M1N-1T5-OD
Lamp: 2x F28T5 @ 2610 lumens
Report #: LSI 15693
Luminaire Efficiency: 34.6%
Maximum Candela: 364 @ 2.5°

COEFFICIENTS OF UTILIZATION - Zonal cavity method

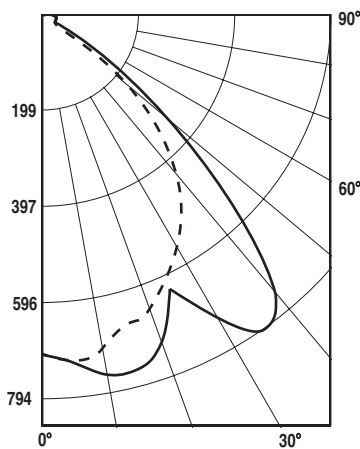
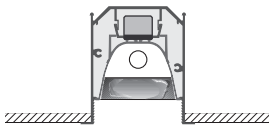
RC	80				70				50				30				10				0			
	RW	70	50	30	10	70	50	30	10	50	30	10	50	30	10	50	30	10	50	30	10	0	0	0
0	35	35	35	35	34	34	34	34	33	33	33	31	31	31	30	30	30	29	29	29	29	29	29	
1	32	30	29	28	31	30	29	28	29	28	27	27	27	26	26	26	25	25	25	25	25	25	25	
2	29	27	25	23	28	26	24	23	25	23	22	24	23	22	23	22	21	20	20	20	20	20	20	
3	26	23	21	19	26	23	21	19	22	20	18	21	20	18	20	19	18	17	17	17	17	17	17	
4	24	21	18	16	23	20	18	16	19	17	16	19	17	16	18	17	15	15	15	15	15	15	15	
5	22	18	16	14	22	18	16	14	17	15	14	17	15	13	16	15	13	13	13	13	13	13	13	
6	20	17	14	12	20	16	14	12	16	14	12	15	13	12	15	13	12	11	11	11	11	11	11	
7	19	15	12	11	18	15	12	11	14	12	11	14	12	10	14	12	10	10	10	10	10	10	10	
8	18	14	11	9	17	13	11	9	13	11	9	13	11	9	12	11	9	9	9	9	9	9	9	
9	17	13	10	9	16	12	10	9	12	10	8	12	10	8	11	10	8	8	8	8	8	8	8	
10	15	12	9	8	15	11	9	8	11	9	8	11	9	8	11	9	8	8	8	8	8	8	8	

Effective Floor Cavity Reflectance 0.20

	CANDELA DISTRIBUTION				
	0.0	22.5	45.0	67.5	90.0
0	362	362	362	362	362
5	363	359	359	361	361
15	351	348	344	343	342
25	326	322	312	307	304
35	291	283	268	259	255
45	247	234	215	203	198
55	194	177	155	140	135
65	135	115	92	76	70
75	71	53	32	21	21
85	14.7	3.2	2.9	2.9	2.8
90	0	0	0	0	0

ZONAL LUMEN SUMMARY			
ZONE	LUMENS	%LAMP	%FIXT.
0-30	275.9	10.6	30.6
0-40	445.0	17.1	49.3
0-60	755.3	28.9	83.7
0-90	902.1	34.6	100.0
90-180	0	0	0
0-180	902.1	34.6	100.0

M1Nx - 1 T5 / Silky Specular Parabolic Louver



0° Horizontal Plane is parallel with the lamp.
90° Horizontal Plane is perpendicular to the lamp.

Catalog #: M1N-1T5-MP
Lamp: 2x F28T5 @ 2610 lumens
Report #: LSI 15698
Luminaire Efficiency: 60.3%
Maximum Candela: 794 @ 35°

COEFFICIENTS OF UTILIZATION - Zonal cavity method

RC	80				70				50				30				10				0			
	RW	70	50	30	10	70	50	30	10	50	30	10	50	30	10	50	30	10	50	30	10	0	0	0
0	38	38	38	38	37	37	37	37	36	36	36	34	34	34	33	33	33	32	32	32	32	32	32	
1	36	35	34	33	35	34	34	33	33	33	32	32	31	31	31	30	30	29	29	29	29	29	29	
2	34	32	31	29	33	32	30	29	31	29	28	28	27	27	27	26	26	25	25	25	25	25	25	
3	32	29	28	26	31	29	27	26	28	27	26	26	25	25	24	24	23	23	23	23	23	23	23	
4	30	27	25	23	29	27	25	23	26	24	23	25	24	23	25	23	22	22	22	22	22	22	22	
5	28	25	23	21	28	25	23	21	24	22	21	23	22	21	23	22	20	20	20	20	20	20	20	
6	26	23	21	19	26	23	21	19	22	20	19	22	20	19	21	20	19	18	18	18	18	18	18	
7	25	21	19	18	24	21	19	18	21	19	17	20	19	17	20	18	17	17	17	17	17	17	17	
8	23	20	18	16	23	20	18	16	19	17	16	19	17	16	19	17	16	15	15	15	15	15	15	
9	22	19	16	15	22	18	16	15	18	16	15	18	16	15	17	16	15	14	14	14	14	14	14	
10	21	17	15	14	21	17	15	14	17	15	14	17	15	14	16	15	14	13	13	13	13	13	13	

Effective Floor Cavity Reflectance 0.20

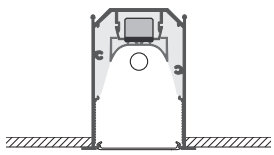
	CANDELA DISTRIBUTION				
	0.0	40	45.0	60	90.0
0	700	700	700	700	700
5	724	724	724	726	719
15	662	703	749	770	757
25	591	682	689	658	623
35	480	599	606	712	794
45	352	504	590	593	572
55	77	139	209	185	155
65	3.4	9.4	18.5	20.1	36.5
75	1.6	5.7	12.8	21.7	30.5
85	.5	2.9	6.3	8.6	11.7
90	0	0	0	0	0

ZONAL LUMEN SUMMARY			
ZONE	LUMENS	%LAMP	%FIXT.
0-30	580.6	22.2	36.9
0-40	980.1	37.6	62.3
0-60	1530.1	58.6	97.3
0-90	1572.7	60.3	100.0
90-180	0	0	0
0-180	1572.7	60.3	100.0

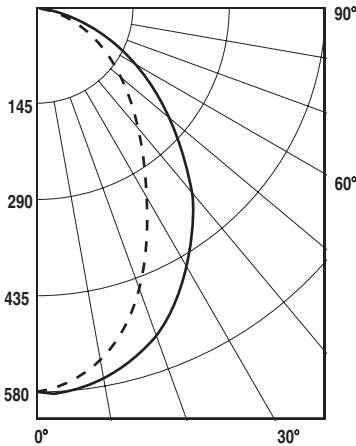
M100 Super Recessed Photometry



M1Bx - 1 T5 / Satine Lens



Catalog #: **M1B-1T5-SD**
 Lamp: **2x F28T5 @ 2610 lumens**
 Report #: **LSI 15692**
 Luminaire Efficiency: **42.9%**
 Maximum Candela: **579.6 @ 2.5°**



0° Horizontal Plane is parallel with the lamp.
 90° Horizontal Plane is perpendicular to the lamp.

COEFFICIENTS OF UTILIZATION - Zonal cavity method

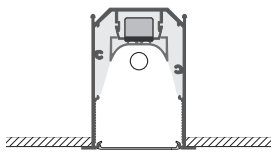
RC	80				70				50				30				10				0
	RW	70	50	30	10	70	50	30	10	50	30	10	50	30	10	50	30	10	0		
0	51	51	51	51	50	50	50	50	48	48	48	46	46	46	44	44	44	43	43		
1	47	45	44	42	46	44	43	42	43	41	40	41	40	39	39	39	38	37	37		
2	43	40	38	35	42	39	37	35	38	36	34	37	35	33	35	34	33	32	32		
3	40	36	33	30	39	35	32	30	34	31	29	33	31	29	32	30	28	27	27		
4	37	32	29	26	36	32	28	26	31	28	25	30	27	25	29	27	25	24	24		
5	34	29	25	23	33	29	25	23	28	25	22	27	24	22	26	24	22	21	21		
6	32	26	23	20	31	26	23	20	25	22	20	25	22	20	24	22	20	19	19		
7	30	24	21	18	29	24	20	18	23	20	18	23	20	18	22	20	18	17	17		
8	28	22	19	16	27	22	19	16	21	18	16	21	18	16	20	18	16	15	15		
9	26	20	17	15	25	20	17	15	20	17	15	19	17	15	19	16	15	14	14		
10	24	19	16	14	24	19	16	14	18	16	14	18	15	14	18	15	13	13	13		

Effective Floor Cavity Reflectance 0.20

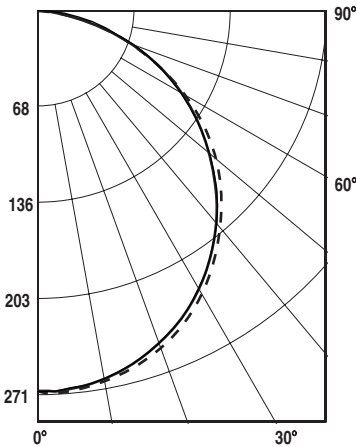
	CANDELA DISTRIBUTION				
	0.0	22.5	45.0	67.5	90.0
0	577	577	577	577	577
5	577	570	567	568	567
15	549	537	519	506	500
25	493	472	434	402	390
35	411	383	331	294	282
45	314	285	236	206	198
55	216	193	159	140	135
65	130	116	97.2	86.9	84.2
75	61.5	55	47.6	43.9	42.9
85	13.9	12.1	11.5	11.6	11.7
90	0.5	0.5	0.5	0.5	0.5

ZONAL LUMEN SUMMARY			
ZONE	LUMENS	%LAMP	%FIXT.
0-30	401.0	15.4	35.8
0-40	612.8	23.5	54.7
0-60	952.2	36.5	85.0
0-90	1120.6	42.9	100.0
90-180	0	0	0
0-180	1120.6	42.9	100.0

M1Bx - 1 T5 / Extra Diffuse Lens



Catalog #: **M1B-1T5-OD**
 Lamp: **2x F28T5 @ 2610 lumens**
 Report #: **LSI 15693**
 Luminaire Efficiency: **29.3%**
 Maximum Candela: **271.2 @ 2.5°**



0° Horizontal Plane is parallel with the lamp.
 90° Horizontal Plane is perpendicular to the lamp.

COEFFICIENTS OF UTILIZATION - Zonal cavity method

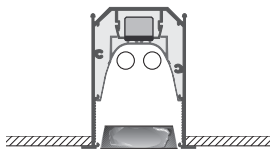
RC	80				70				50				30				10				0
	RW	70	50	30	10	70	50	30	10	50	30	10	50	30	10	50	30	10	0		
0	35	35	35	35	34	34	34	34	33	33	33	31	31	31	30	30	30	29	29		
1	32	30	29	28	31	30	29	28	29	28	27	27	26	26	26	25	25	25	25		
2	29	27	25	23	28	26	24	23	25	23	22	24	23	22	23	22	21	20	20		
3	26	23	21	19	26	23	21	19	22	20	18	21	20	18	20	19	18	17	17		
4	24	21	18	16	23	20	18	16	19	17	16	19	17	16	18	17	15	15	15		
5	22	18	16	14	22	18	16	14	17	15	14	17	15	13	16	15	13	13	13		
6	20	17	14	12	20	16	14	12	16	14	12	15	13	12	15	13	12	11	11		
7	19	15	12	11	18	15	12	11	14	12	11	14	12	10	14	12	10	10	10		
8	18	14	11	9	17	13	11	9	13	11	9	13	11	9	12	11	9	9	9		
9	17	13	10	9	16	12	10	9	12	10	8	12	10	8	11	10	8	8	8		
10	15	12	9	8	15	11	9	8	11	9	8	11	9	8	11	9	8	7	7		

Effective Floor Cavity Reflectance 0.20

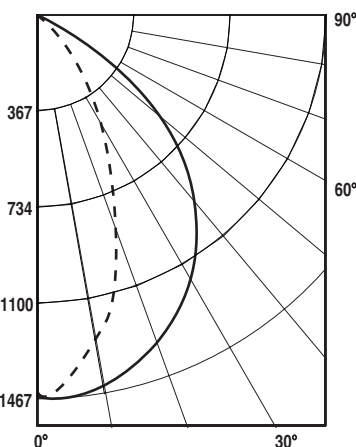
	CANDELA DISTRIBUTION				
	0.0	22.5	45.0	67.5	90.0
0	269	269	269	269	269
5	270	267	267	268	268
15	261	258	258	258	259
25	243	241	239	239	240
35	216	214	213	212	213
45	182	180	866	888	918
55	142	140	139	138	139
65	97.6	95.5	95.2	94.5	94.7
75	50.2	49.1	49.5	49.8	50.2
85	9.2	8.7	9.6	10.1	10.8
90	0.5	0.5	0.5	0.5	0.5

ZONAL LUMEN SUMMARY			
ZONE	LUMENS	%LAMP	%FIXT.
0-30	209.1	8.0	27.4
0-40	342.5	13.1	44.8
0-60	605.4	23.2	79.2
0-90	764.5	29.3	100.0
90-180	0	0	0
0-180	764.5	29.3	100.0

M1Bx - 2 T5 / Silky Specular Parabolic Louver



Catalog #: **M1B-2T5-MP**
 Lamp: **2x F28T5 @ 2610 lumens**
 Report #: **LSI 15698**
 Luminaire Efficiency: **32.1%**
 Maximum Candela: **1467 @ 2.5°**



0° Horizontal Plane is parallel with the lamp.
 90° Horizontal Plane is perpendicular to the lamp.

COEFFICIENTS OF UTILIZATION - Zonal cavity method

RC	80				70				50				30				10				0
	RW	70	50	30	10	70	50	30	10	50	30	10	50	30	10	50	30	10	0		
0	38	38	38	38	37	37	37	37	36	36	36	34	34	34	33	33	33	32	32		
1	36	35	34	33	35	34	34	33	33	33	32	32	31	31	31	30	30	29	29		
2	34	32	31	29	33	32	30	29	31	29	28	30	29	28	29	28	27	27	27		
3	32	29	28	26	31	29	27	26	28	27	26	27	26	25	27	26	25	24	24		
4	30	27	25	23	29	27	25	23	26	24	23	25	24	23	25	23	22	22	22		
5	28	25	23	21	28	25	23	21	24	22	21	23	22	21	23	22	20	20	20		
6	26	23	21	19	26	23	21	19	22	20	19	22	20	19	21	20	19	18	18		
7	25	21	19	18	24	21	19	18	21	19	17	20	19	17	20	18	17	17	17		
8	23	20	18	16	23	20	18	16	19	17	16	19	17	16	19	17	16	15	15		
9	22	19	16	15	22	18	16	15	18	16	15	18	16	15	17	16	15	14	14		
10	21	17	15	14	21	17	15	14	17	15	14	17	15	14	16	15	14	13	13		

Effective Floor Cavity Reflectance 0.20

	CANDELA DISTRIBUTION				
	0.0	22.5	45.0	67.5	90.0
0	1461	1461	1461	1461	1461
5	1464	1441	1407	1388	1380
15	1394	1293	1293	1142	1105
25	1257	1091	853	687	657
35	1054	806	518	355	310
45	783	471	229	208	193
55	389	182	107	74	56
65	23	19	19	7.8	3.2
75	2.2	1.7	1.4	1.5	0.9
85	0.7	0.5	0.3	0.3	0.1
90	0	0	0	0	0

ZONAL LUMEN SUMMARY			
ZONE	LUMENS	%LAMP	%FIXT.
0-30	884.6	16.9	52.7
0-40	1254.4	24.0	74.8
0-60	1654.9	31.7	98.6
0-90	1678.0	32.1	100.0
90-180	0	0	0
0-180	1678.0	32.1	100.0

M-Series Specification Guide

1	2	3	4	5									
Fixture Series					Lamp Type	Shielding	Mounting	Nominal Length	Finish	Voltage	Option	Option	Option

M Series Specification Guide

1) What is your illumination objective for this fixture?

- A) **A continuous single line of light** - (Proceed to question #2)
- B) **Wall Grazing application** - Enter "M1" in first two spaces of "Fixture Series" (Proceed to question #4)
- C) **Wall Washing application** - Enter "M1W" in first three spaces of "Fixture Series" (Proceed to question #5)
- D) **Direct/Indirect application** - Enter "M6DI" in first four spaces of "Fixture Series" (Proceed to question #7)
- E) **Indirect application** - (Proceed to question #3)

2) Choose desired extrusion width...(2-3/8" extrusion width available with 1T5 and 1T5HO lamping only)

- A) **2-3/8"** - Enter "M6" in first two spaces of "Fixture Series" (Proceed to question #6)
- B) **4"** - Enter "M1" in first two spaces of "Fixture Series". Proceed to question #10

3) Choose desired extrusion width...(2-3/8" extrusion width available with 1T5 and 1T5HO lamping only)

- A) **2-3/8"** - Enter "M6S" in "Fixture Series" (Proceed to question #8)
- B) **4"** - Enter "M1" in "Fixture Series". Proceed to question #9

4) Choose lamping... (NOTE: Asymmetric wall grazing fixtures are not available with staggered lamps)

- A) **1T5** - Enter "1T5" in "Lamping" space. (Proceed to question #16)
- B) **1T5HO** - Enter "1T5HO" in "Lamping". (Proceed to question #16)

5) Choose lamping... (NOTE: Asymmetric wall washing fixtures are not available with staggered lamps)

- A) **1T5** - Enter "1T5" in "Lamping" space. (Proceed to question #43)
- B) **1T5HO** - Enter "1T5HO" in "Lamping". (Proceed to question #43)

6) Choose lamping... M6

- A) **1T5** - Enter "1T5" in "Lamping" space. (Proceed to question #11)
- B) **1T5HO** - Enter "1T5HO" in "Lamping". (Proceed to question #11)

7) Choose lamping... M6DI -

- A) **2T5** - Enter "2T5" in "Lamping" space. (Proceed to question #12)
- B) **2T5HO** - Enter "2T5HO" in "Lamping". (Proceed to question #12)

8) Choose lamping... M6S

- A) **1T5** - Enter "1T5" in "Lamping" space. (Proceed to question #24)
- B) **1T5HO** - Enter "12T5HO" in "Lamping". (Proceed to question #24)

9) Choose lamping... M1Indirect

- A) **1T5** - Enter "1T5" in "Lamping" space. (Proceed to question #24)
- B) **1T5HO** - Enter "1T5HO" in "Lamping". (Proceed to question #24)
- C) **2T5** - Enter "2T5" in "Lamping" space. (Proceed to question #24)
- D) **1T8** - Enter "1T8" in "Lamping" space. (Proceed to question #24)

10) Choose lamping... (1 T5/T5HO recommended for staggered lamping) (1T8 not available with staggered lamps)

- A) **1T5** - Enter "1T5" in "Lamping" space. (Proceed to question #13)
- B) **1T5HO** - Enter "1T5HO" in "Lamping". (Proceed to question #14)
- C) **2T5** - Enter "2T5" in "Lamping" space. (Proceed to question #14)
- D) **1T8** - Enter "1T8" in "Lamping" space. (Proceed to question #15)

11) Choose shielding... M6x -(OD recommended for staggered lamping)

- A) **Silky Specular Parabolic Louver**- Enter "MP" in "Shielding" space. (Proceed to question #17)
- B) **Satine Lens** - Enter "SD" in "Shielding" space. (Proceed to question #17)
- C) **Extra Diffuse Lens** - Enter "OD" in "Shielding" space. (Proceed to question #17)

12) Choose direct shielding... M6DI -(OD recommended for staggered lamping)

- A) **Silky Specular Parabolic Louver**- Enter "MP" in "Shielding" space. (Proceed to question #18)
- B) **Satine Lens** - Enter "SD" in "Shielding" space. (Proceed to question #18)
- C) **Extra Diffuse Lens** - Enter "OD" in "Shielding" space. (Proceed to question #18)

13) Choose shielding... (OD recommended for staggered lamping)

- A) **Specular Parabolic Louver** - Enter "SA" in "Shielding" space. (Proceed to question #19)
- B) **Matte Parabolic Louver** - Enter "MA" in "Shielding" space. (Proceed to question #19)
- C) **Silky Specular Parabolic Louver** - Enter "MP" in "Shielding" space. (Proceed to question #19)
- D) **Perforated Parabolic Louver** - Enter "PL" in "Shielding" space. (Proceed to question #19)
- E) **Satine Lens** - Enter "SD" in "Shielding" space. (Proceed to question #19)
- F) **Extra Diffuse Lens** - Enter "OD" in "Shielding" space. (Proceed to question #22)

M-Series Specification Guide

14) Choose shielding... *(OD recommended for staggered lamping)*

- A) **Specular Parabolic Louver** - Enter "SA" in "Shielding" space. (Proceed to question #19)
- B) **Matte Parabolic Louver** - Enter "MA" in "Shielding" space. (Proceed to question #19)
- C) **Silky Specular Parabolic Louver** - Enter "MP" in "Shielding" space. (Proceed to question #19)
- D) **Perforated Parabolic Louver** - Enter "PL" in "Shielding" space. (Proceed to question #19)
- E) **Satine Lens** - Enter "SD" in "Shielding" space. (Proceed to question #19)
- F) **Extra Diffuse Lens** - Enter "OD" in "Shielding" space. (Proceed to question #21)

15) Choose shielding...

- A) **Specular Parabolic Louver** - Enter "SA" in "Shielding" space. (Proceed to question #23)
- B) **Matte Parabolic Louver** - Enter "MA" in "Shielding" space. (Proceed to question #23)
- C) **Silky Specular Parabolic Louver** - Enter "MP" in "Shielding" space. (Proceed to question #23)
- D) **Perforated Parabolic Louver** - Enter "PL" in "Shielding" space. (Proceed to question #23)
- E) **Satine Lens** - Enter "SD" in "Shielding" space. (Proceed to question #23)
- F) **Extra Diffuse Lens** - Enter "OD" in "Shielding" space. (Proceed to question #23)

16) Choose shielding...

- A) **Asymmetric Silky Specular Louver** - Enter "AMP" in "Shielding" space. (Proceed to question #26)
- B) **Satine Lens** - Enter "SD" in "Shielding" space. (Proceed to question #26)
- C) **Extra Diffuse Lens** - Enter "OD" in "Shielding" space. (Proceed to question #26)

17) Choose socket shadow preference... *M6x -(Staggered lamping option recommended only when specified with Extra Diffuse Lens)*

- A) **Standard lamping** - (Proceed to question #25)
- B) **Staggered lamping** - Enter "S" on the fifth line of "Fixture Series" space. (Proceed to question #25)

18) Choose socket shadow preference... *M6DI -(Staggered lamping option recommended only when specified with Extra Diffuse Lens)*

- A) **Standard lamping** - (Proceed to question #24)
- B) **Staggered lamping** - Enter "S" on the fifth line of "Fixture Series" space. (Proceed to question #24)

19) Will this be a recessed application...

- A) **Yes** - (Proceed to question #20)
- B) **No** - (Proceed to question #24)

20) Choose socket shadow preference... *M1xx - (IF BOTH) NOT 1T5 - NOT OD*

- A) **Standard lamping/Socket shadows apparent** - (Proceed to question #23)
- B) **Staggered lamping/Socket shadows reduced** - Enter "B" on the third line and "S" on the fifth line of "Fixture Series" space. (Proceed to question #29)

21) Choose socket shadow preference... *M1xx - 2T5/1T5H0 - OD*

- A) **Standard lamping/Socket shadows apparent** - (Proceed to question #23)
- B) **Staggered lamping/Socket shadows reduced** - Enter "S" on the fifth line of "Fixture Series" space. (Proceed to question #27)

22) Choose socket shadow preference... *M1xx - 1T5 - OD*

- A) **Standard lamping/Socket shadows apparent** - (Proceed to question #23)
- B) **Staggered lamping/Socket shadows eliminated** - Write "S" on the fifth line of "Fixture Series" space. (Proceed to question #23)

23) Choose extrusion height/style...*(Must choose 4" Height if fixture is to be pendant, surface, wall bracket mounted, or semi-recessed)*

- A) **4" Standard M100** - (Proceed to question #28)
- B) **5" M100 Tannenbaum Recessed**- Enter "N" on third line of "Fixture Series" space. (Proceed to question #29)
- C) **6" M100 Super Recessed**- Enter "B" on third line of "Fixture Series" space. (Proceed to question #29)

24) Choose mounting method...*M6S / M1Indirect / M6DI-*

- A) **Pendant Mount** - (Proceed to question #45)
- B) **Surface Mount** - Enter "F" in "Mounting". (Proceed to question #46)
- C) **Wall Bracket Mount**- Enter "W" in "Mounting". (Proceed to question #46)

25) Choose mounting method...*M6x -*

- A) **Recessed** - (Proceed to question #30)
- B) **Pendant Mount** - Enter "0" in third line of "Fixture Series" space. (Proceed to question #45)
- C) **Surface Mount** - Enter "0" in third line of "Fixture Series" space. Enter "F" in "Mounting". (Proceed to question #46)
- D) **Wall Bracket Mount**- Enter "0" in third line of "Fixture Series" space. Enter "W" in "Mounting". (Proceed to question #46)

26) Choose mounting method...*M1A -*

- A) **Recessed** - (Proceed to question #33)
- B) **Pendant Mount** - Enter "A" in third line of "Fixture Series" space. (Proceed to question #45)
- C) **Surface Mount** - Enter "A" in third line of "Fixture Series" space. Enter "F" in "Mounting". (Proceed to question #46)
- D) **Wall Bracket Mount**- Enter "A" in third line of "Fixture Series" space. Enter "W" in "Mounting". (Proceed to question #46)

M-Series Specification Guide

27) Choose mounting method...*M1BxS/M10S - 2T5/1T5 - OD*

- A) **Recessed** - Enter "B" in third line of "Fixture Series" space. (Proceed to question #29)
- B) **Pendant Mount** - Enter "0" in third line of "Fixture Series". (Proceed to question #45)
- C) **Surface Mount** - Enter "0" in third line of "Fixture Series". Enter "F" in "Mounting". (Proceed to question #46)
- D) **Wall Bracket Mount**- Enter "0" in third line of "Fixture Series". Enter "W" in "Mounting". (Proceed to question #46)

28) Choose mounting method... *M1x (4") T8*

- A) **Semi-Recessed** - Enter "S" in third line of "Fixture Series" space. (Proceed to question #31)
- B) **Recessed** - (Proceed to question #30)
- C) **Pendant Mount** - Enter "0" in third line of "Fixture Series" space. (Proceed to question #45)
- D) **Surface Mount** - Enter "0" in third line of "Fixture Series" space. Enter "F" in "Mounting". (Proceed to question #46)
- E) **Wall Bracket Mount**- Enter "0" in third line of "Fixture Series" space. Enter "W" in "Mounting". (Proceed to question #46)

29) Choose recessed mounting location... *Mxx*

- A) **Ceiling** - (Proceed to question #31)
- B) **Wall** - (Proceed to question #34)

30) Choose recessed mounting location... *M6x*

- A) **Ceiling** - (Proceed to question #32)
- B) **Wall** - (Proceed to question #35)

31) What is ceiling type...*M1B/N/W/S*

- A) **Sheetrock** - (Proceed to question #36)
- B) **T-Bar 2' grid ceiling system** - Enter "TB" in "Options" space. (Proceed to question #39)
- C) **Slot grid ceiling system** - Enter "0" in fourth line of "Fixture Series" space. Enter "SG" in "Mounting" space. (Proceed to question #46)
- D) **Thick Ceiling Tile system** - Enter "0" in fourth line of "Fixture Series" space. Enter "DC" in "Mounting" space. (Proceed to question #46)
- E) **Ceiling with inaccessible plenum area**- Enter "RC" in "Mounting" space. (Proceed to question #39)
- F) **Other** - (Proceed to question #39)

32) What is ceiling type...*M1/6x*

- A) **Sheetrock** - (Proceed to question #37)
- B) **T-Bar 2' grid ceiling system** - Enter "R" in third line of "Fixture Series" space. Enter "TB" in "Options" space. (Proceed to question #39)
- C) **Slot grid ceiling system** - Enter "0" in third line of "Fixture Series" space. Enter "SG" in "Mounting" space. (Proceed to question #46)
- D) **Thick Ceiling Tile system** - Enter "0" in third line of "Fixture Series" space. Enter "DC" in "Mounting" space. (Proceed to question #46)
- E) **Ceiling with inaccessible plenum area**- Enter "R" in third line of "Fixture Series" space. Enter "RC" in "Mounting" space. (Proceed to question #39)
- F) **Other** - (Proceed to question #37)

33) What is ceiling type...*M1A/RAx*

- A) **Sheetrock** - (Proceed to question #38)
- B) **T-Bar 2' grid ceiling system** - Enter "RA" after "M1" in "Fixture Series". Enter "TB" in "Options" space. (Proceed to question #40)
- C) **Slot grid ceiling system** - Enter "A" after "M1" in "Fixture Series". Enter "SG" in "Mounting" space. (Proceed to question #46)
- D) **Thick Ceiling Tile system** - Enter "A" after "M1" in "Fixture Series". Enter "DC" in "Mounting" space. (Proceed to question #46)
- E) **Ceiling with inaccessible plenum area**- Enter "RA" after "M1" in "Fixture Series". Enter "RC" in "Mounting" space. (Proceed to question #40)
- F) **Other** - (Proceed to question #38)

34) Choose flange appearance...*M1B/N/Wx - to recess into wall*

- A) **Continuous flange (flange all around fixture including endcaps)** - Write "1" on fourth line of "Fixture Series" space. (Proceed to question #41)
- B) **Flanged extrusion with no flange on endcaps** - Enter "2" on fourth line of "Fixture Series" space (Proceed to question #41)
- C) **No apparent flange** - Enter "0" on fourth line of "Fixture Series" space. Write "SF" in "Mounting" space. (Proceed to question #44)

35) Choose flange appearance...*M1/6x - to recess into wall*

- A) **Continuous flange (flange all around fixture including endcaps)** - Enter "R1" on third and fourth lines of "Fixture Series" space. (Proceed to question #41)
- B) **Flanged extrusion with no flange on endcaps** - Enter "R2" on third and fourth lines of "Fixture Series" space. (Proceed to question #41)
- C) **No apparent flange** - Enter "0" on third line of "Fixture Series" space. Write "SF" in "Mounting" space. (Proceed to question #44)

36) Choose flange appearance...*MB/N/W - to recess into ceiling*

- A) **Continuous flange (flange all around fixture including endcaps)** - Enter "1" on fourth line of "Fixture Series" space. (Proceed to question #42)
- B) **Flanged extrusion with no flange on endcaps** - Enter "2" on fourth line of "Fixture Series" space (Proceed to question #42)
- C) **No apparent flange** - Enter "0" on fourth line of "Fixture Series" space. Write "SF" in "Mounting" space. (Proceed to question #44)

37) Choose flange appearance...*M1x - to recess into ceiling*

- A) **Continuous flange (flange all around fixture including endcaps)** - Enter "R1" on third and fourth lines of "Fixture Series" space. (Proceed to question #42)
- B) **Flanged extrusion with no flange on endcaps** - Enter "R2" on third and fourth lines of "Fixture Series" space (Proceed to question #42)
- C) **No apparent flange** - Enter "0" on third line of "Fixture Series" space. Write "SF" in "Mounting" space. (Proceed to question #44)

M-Series Specification Guide

38) Choose flange appearance...M1A/RAx - to recess into ceiling

- A) **Continuous flange (flange all around fixture including endcaps)** - Enter "RA1" after the "M1" in the "Fixture Series" space. (Proceed to question #42)
- B) **Flanged extrusion with no flange on endcaps** - Enter "RA2" after the "M1" in the "Fixture Series" space. (Proceed to question #42)
- C) **No apparent flange** - Enter "A" on third line of "Fixture Series" space. Write "SF" in "Mounting" space. (Proceed to question #44)

39) Choose flange appearance...M1R/S

- A) **Continuous flange (flange all around fixture including endcaps)** - Write "1" on fourth line of "Fixture Series" space. (Proceed to question #42)
- B) **Flanged extrusion with no flange on endcaps** - Enter "2" on fourth line of "Fixture Series" space (Proceed to question #42)

40) Choose flange appearance...M1x_RC

- A) **Continuous flange (flange all around fixture including endcaps)** - Write "1" on fifth line of "Fixture Series" space. (Proceed to question #46)
- B) **Flanged extrusion with no flange on endcaps** - Enter "2" on fifth line of "Fixture Series" space (Proceed to question #46)

41) Choose mounting...

- A) **Pre-installed Rods** - Enter "TS" in "Mounting" space. (Proceed to question #46)

42) Choose mounting... (Perimeter Mount not available for M1W - Wall Washer fixture)

- A) **Suspension Clips** - Enter "SH" in "Mounting" space. (Proceed to question #46)
- B) **Pre-installed Rods** - Enter "TS" in "Mounting" space. (Proceed to question #46)
- C) **Perimeter Mount** - Enter "PM" in "Mounting" space. (Proceed to question #46)
- D) **Provisions for customer supplied 1/4 - 20 Rods** - Enter "R" in "Mounting" space. (Proceed to question #46)

43) Choose mounting...

- A) **Suspension Clips** - Enter "SH" in "Mounting" space. (Proceed to question #46)
- B) **Pre-installed Rods** - Enter "TS" in "Mounting" space. (Proceed to question #46)
- C) **Provisions for customer supplied 1/4 - 20 Rods** - Enter "R" in "Mounting" space. (Proceed to question #46)

44) The wall or ceiling that this fixture will be recessed in is...

- A) **1/2" thick drywall** - Enter "1" after the "SF" in the "Mounting" space. (Proceed to question #46)
- B) **5/8" thick drywall** - Enter "2" after the "SF" in the "Mounting" space. (Proceed to question #46)
- C) **Not a drywall-type wall or ceiling** - Consult factory for help in specification assistance.

45) Specify suspension style...

- A) **Cable** - Enter "C" in "Mounting" space. (Proceed to question #46)
- B) **Swivel Stem** - Enter "S" in "Mounting" space. (Proceed to question #46)
- C) **Rigid Stem** - Enter "RS" in "Mounting" space. (Proceed to question #46)
- D) **Telescoping Endcaps** - Enter "TS" in "Mounting" space. (Proceed to question #46)

46) Specify length...

- A) **4' Nominal length** - Enter "004" in the "Length" space. (Proceed to question #47)
- B) **8' Nominal length** - Enter "008" in the "Length" space. (Proceed to question #47)
- C) **12' Nominal length** - Enter "012" in the "Length" space. (Proceed to question #47)
- D) **Custom** - Enter custom length in feet using three digits in the "Length" space. (Proceed to question #47)

47) Specify Finish...

- A) **White** - Enter "WH" in "Finish" space. (Proceed to question #48)
- B) **Black** - Enter "BK" in "Finish" space. (Proceed to question #48)
- C) **Silver** - Enter "SV" in "Finish" space. (Proceed to question #48)
- D) **RAL Classic** - Enter three digit code in "Finish" space. (Proceed to question #48)

48) Specify Voltage...

- A) **120 V** - Enter "120" in "Voltage" space. (Proceed to question #49)
- B) **277 V** - Enter "277" in "Voltage" space. (Proceed to question #49)
- C) **347 V** - Enter "347" in "Voltage" space. (Proceed to question #49)

49) Specify Options (all that apply)...

- a) **Emergency Stand-by Battery Pack** - Enter "EM" in "Options" space.
- b) **Digital Addressable Dimming** - Enter "DMA" in "Options" space.
- c) **Dimming** - Enter "DM" in "Options" space.
- d) **Single Fusing** - Enter "FS" in "Options" space.
- e) **Satine Acrylic Inlay** - (only available with Parabolic louvers) Enter "SI" in "Options" space.
- f) **Flex Whip (standard)** - Enter "FW" in "Options" space.
- g) **Flex Whip (dimming)** - Enter "FW1" in "Options" space.
- h) **Track** - Enter "Track" in "Options" space. (consult factory for details)

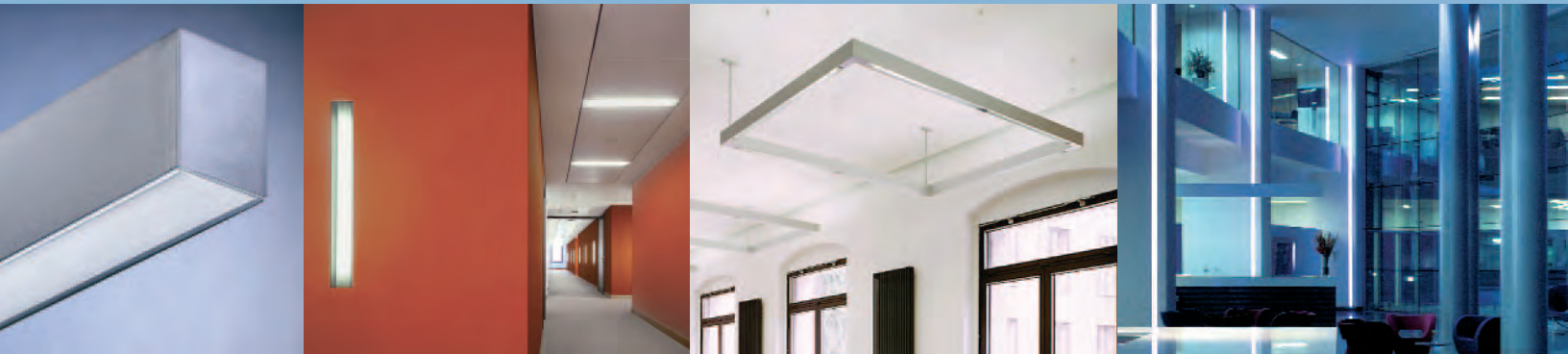
M-Series Index by Series/Mounting

Series ---- Mounting	Page	Series ---- Mounting	Page	Series ---- Mounting	Page	Series ---- Mounting	Page
M100 Series							
M10_xx_xx_C	86	M1B1S/2S_xx_xx_PM	60	M1S0S_xx_xx_SG	16	M6DI_xx_xx_C	90
M10_xx_xx_DC	38	M1B1S/2S_xx_xx_RC	60	M1S0S_xx_xx_SF1/2	20	M6DI_xx_xx_S	90
M10_xx_xx_F	86	M1B1S/2S_xx_xx_SH	60			M6DI_xx_xx_W	90
M10_xx_xx_RS	86	M1B1S/2S_xx_xx_TS	60	M1S1/2_xx_xx_PM	10		
M10_xx_xx_S	86	M1I_xx_xx_C	94	M1S1/2_xx_xx_RC	10	M6R1/2_xx_xx_PM	22
M10_xx_xx_SG	38	M1I_xx_xx_S	94	M1S1/2_xx_xx_SH	10	M6R1/2_xx_xx_RC	22
M10_xx_xx_SF1/2	42	M1I_xx_xx_W	94	M1S1/2_xx_xx_TS	10	M6R1/2_xx_xx_SH	22
M10_xx_xx_TE	86					M6R1/2_xx_xx_TS	22
M10_xx_xx_W	86	M1N0_xx_xx_SG	50	M1S1S/2S_xx_xx_PM	12		
		M1N0_xx_xx_DC	50	M1S1S/2S_xx_xx_RC	12	M6R1S/2S_xx_xx_TS	24
M10S_xx_xx_C	88	M1N0_xx_xx_SF1/2	54	M1S1S/2S_xx_xx_SH	12	M6R1S/2S_xx_xx_PM	24
M10S_xx_xx_DC	40			M1S1S/2S_xx_xx_TS	12	M6R1S/2S_xx_xx_RC	24
M10S_xx_xx_F	88	M1N0S_xx_xx_SG	52			M6R1S/2S_xx_xx_SH	24
M10S_xx_xx_RS	88	M1N0S_xx_xx_DC	52	M1W0_xx_xx_SG	78		
M10S_xx_xx_S	88	M1N0S_xx_xx_SF1/2	56	M1W0_xx_xx_DC	78	M6S_xx_xx_C	92
M10S_xx_xx_SG	40			M1W0_xx_xx_SF1/2	80	M6S_xx_xx_S	92
M10S_xx_xx_SF1/2	44	M1N1/2_xx_xx_PM	46			M6S_xx_xx_W	92
M10S_xx_xx_TE	88	M1N1/2_xx_xx_RC	46	M1W1/2_xx_xx_RC	76		
M10S_xx_xx_W	88	M1N1/2_xx_xx_SH	46	M1W1/2_xx_xx_SH	76		
		M1N1/2_xx_xx_TS	46	M1W1/2_xx_xx_TS	76		
M1A_xx_xx_C	96						
M1A_xx_xx_DC	72	M1N1S/2S_xx_xx_PM	48	M60 Series			
M1A_xx_xx_F	96	M1N1S/2S_xx_xx_RC	48	M60_xx_xx_C	82		
M1A_xx_xx_RS	96	M1N1S/2S_xx_xx_SH	48	M60_xx_xx_DC	26		
M1A_xx_xx_S	96	M1N1S/2S_xx_xx_TS	48	M60_xx_xx_F	82		
M1A_xx_xx_SG	72			M60_xx_xx_R	82		
M1A_xx_xx_SF1/2	74	M1R1/2_xx_xx_PM	34	M60_xx_xx_RS	82		
M1A_xx_xx_TE	96	M1R1/2_xx_xx_RC	34	M60_xx_xx_S	82		
M1A_xx_xx_W	72	M1R1/2_xx_xx_SH	34	M60_xx_xx_SF1/2	30		
		M1R1/2_xx_xx_TS	34	M60_xx_xx_SG	26		
M1B0_xx_xx_DC	62			M60_xx_xx_TE	82		
M1B0_xx_xx_SG	62	M1R1S/2S_xx_xx_PM	36	M60_xx_xx_W	82		
M1B0_xx_xx_SF1/2	66	M1R1S/2S_xx_xx_RC	36				
		M1R1S/2S_xx_xx_SH	36	M60S_xx_xx_C	84		
M1B0S_xx_xx_DC	64	M1R1S/2S_xx_xx_TS	36	M60S_xx_xx_DC	28		
M1B0S_xx_xx_SG	64			M60S_xx_xx_F	84		
M1B0S_xx_xx_SF1/2	68	M1RA1/2_xx_xx_PM	70	M60S_xx_xx_RS	84		
		M1RA1/2_xx_xx_RC	70	M60S_xx_xx_S	84		
M1B1/2_xx_xx_PM	58	M1RA1/2_xx_xx_SH	70	M60S_xx_xx_SF1/2	32		
M1B1/2_xx_xx_RC	58	M1RA1/2_xx_xx_TS	70	M60S_xx_xx_SG	28		
M1B1/2_xx_xx_SH	58			M60S_xx_xx_TE	84		
M1B1/2_xx_xx_TS	58	M1S0_xx_xx_SG	14	M60S_xx_xx_W	84		
		M1S0_xx_xx_SF1/2	18				

Notes:

se'lux

Light. Ideas. Systems.



SELUX Corporation
5 Lumen Lane
P.O. Box 1060
Highland, NY 12528

tel. (800) 735-8927
fax (845) 691-6749

seluxus@selux.com
www.selux.com/usa

