

Downlights

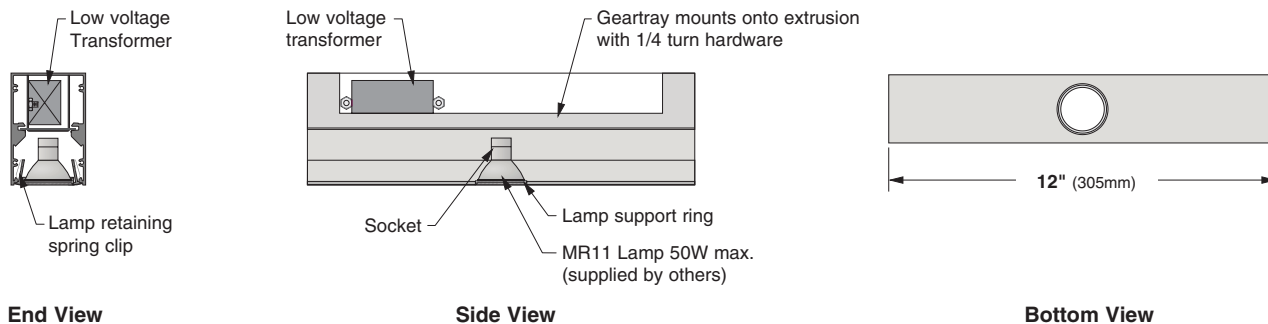


MR11 Fixed Downlight

Ordering Code: **MR11**

Supplied with clear glass lens. Available for all M60 extruded forms. Fixture will accept up to 3 accessories. 50W MR11 Lamps (by others) must be suitable for use with open fixtures.

12" MR11 Fixed Downlight

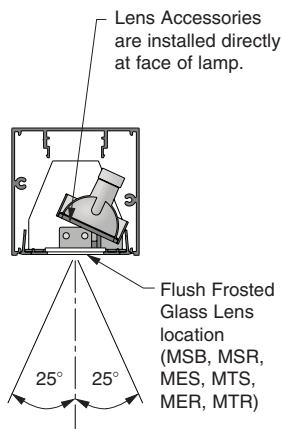


MR16 25° Adjustable Downlight

Available for all M100 extruded forms. 50W MR16 Lamp (by others) suitable for use with open fixtures. Downlight will accept up to three lens accessories. Downlight assembly available with optional Flush Frosted Glass Lens. Square Lamp is field rotatable 0° or 90° horizontally (seated with lamp tiltable parallel or perpendicular to fixture). Round Lamp is field rotatable so that lamp may be aimed in any horizontal direction. All MR16 downlights tilt 25° from nadir (vertical down). When lamp is set to aim parallel to fixture, additional 5° tilt is available. Tilt adjustment is made (with MR16 Module installed in fixture) by inserting a screwdriver through opening in faceplate and pushing either side of downlight. Pivot point of lamp optimized for higher light output. 6" and 12" units with Magnetic Transformers not available for CCEA applications.

MR16 Side View

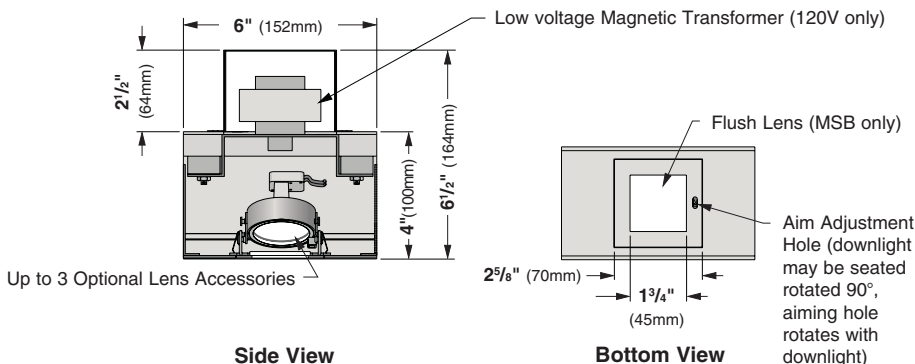
Same for all MR16 downlights



Tilt range is 25° from nadir (vertical down) in either direction. When fixture is positioned to aim parallel to fixture, an additional 5° is available, raising the tilt range to 30° from nadir.

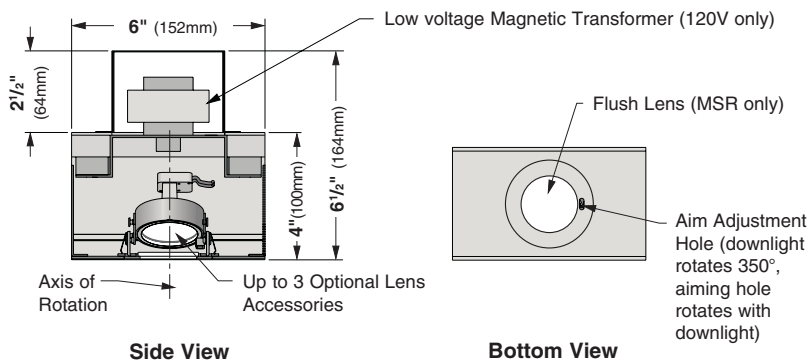
6" MR16 Adjustable Downlight (Square Lens)

Ordering Code: **MSS** (without flush lens); **MSB** (with Flush Frosted Glass Lens)
Designate quantity by: **(Qty.) x (Ordering code)**; i.e. **5xMSB**



6" MR16 Adjustable Downlight (Round Lens)

Ordering Code: **MSO** (without flush lens); **MSR** (with Flush Frosted Glass Lens)
Designate quantity by: **(Qty.) x (Ordering code)**; i.e. **5xMSR**



SELUX Corp. © 2006
TEL: (845) 691-7723
FAX: (845) 691-6749
www.selux.com/usa
MRDL-01 (v5.01)



Union Made Affiliated
with IBEW Local 363

In a continuing effort to offer the best product possible, we reserve the right to change, without notice, specifications or materials that in our opinion will not alter the function of the product. Specification sheets found at www.selux.com/usa are the most recent versions and supercede all other printed or electronic versions.

Downlights

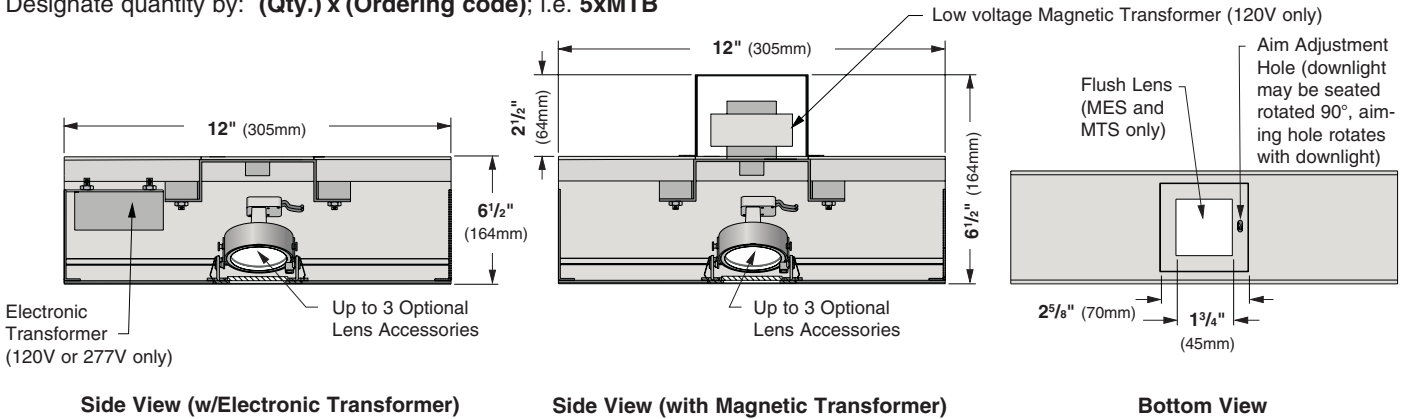


12" MR16 Adjustable Downlight (Square Lens)

Ordering Code: **MEB** (w/ Electronic Transformer, without lens)
MES (w/ Electronic Transformer, with Flush Glass Lens)

MTB (w/ Magnetic Transformer, without lens);
MTS (w/ Magnetic Transformer, with Flush Glass Lens)

Designate quantity by: **(Qty.) x (Ordering code)**; i.e. **5xMTB**

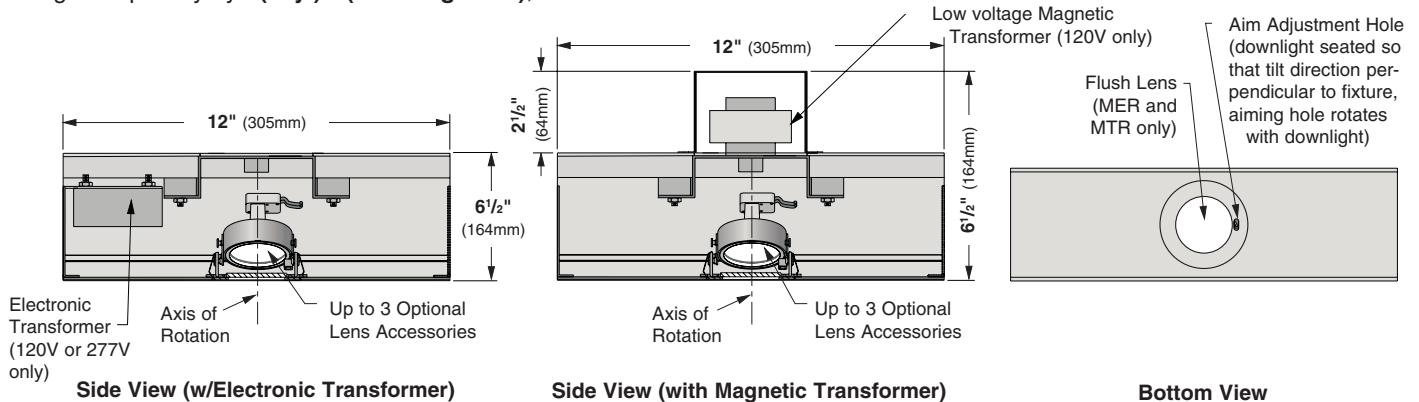


12" MR16 Adjustable Downlight (Round Lens)

Ordering Code: **MEO** (w/ Electronic Transformer, without lens)
MER (w/ Electronic Transformer, with Flush Glass Lens)

MTO (w/ Magnetic Transformer, without lens)
MTR (w/ Magnetic Transformer, with Flush Glass Lens)

Designate quantity by: **(Qty.) x (Ordering code)**; i.e. **5xMTO**



MR16 Downlight Accessories

Available for all M100 extruded forms. Fixture will accept up to three lens accessories. Add ordering code to end of Downlight ordering code (ie. **MEOF** = 12" MR16 w/Electronic Transformer + Frosted Lens accessory).

Honeycomb Filter (Black Finish)

Add "H" to end of MR16 Ordering Code

Frosted Lens (Clear Frosted Glass)

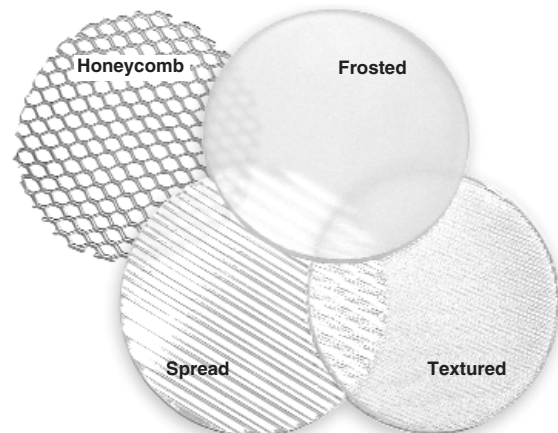
Add "F" to end of MR16 Ordering Code

Textured Lens (Clear Patterned Glass)

Add "T" to end of MR16 Ordering Code

Spread Lens (Clear Patterned Glass)

Add "S" to end of MR16 Ordering Code



SELUX Corp. © 2006

TEL: (845) 691-7723

FAX: (845) 691-6749

www.selux.com/usa

MRDL-02 (v5.01)

In a continuing effort to offer the best product possible, we reserve the right to change, without notice, specifications or materials that in our opinion will not alter the function of the product. Specification sheets found at www.selux.com/usa are the most recent versions and supercede all other printed or electronic versions.