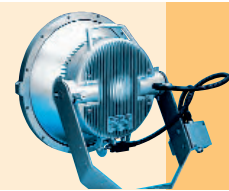
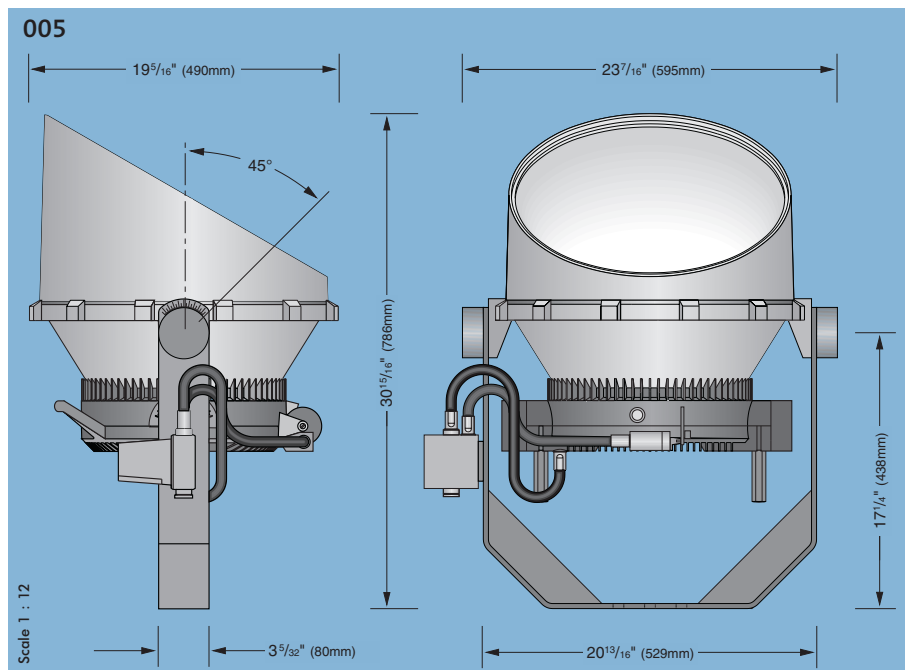
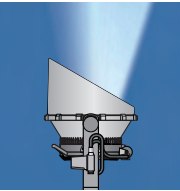




# Power Spot 005



# Power Spot Series



### Construction

- Precision, die-cast high purity aluminum

### Lamping/Optics

- H.I.D. lamping 2000w
- 5 different beam patterns

### Finish

- Natural aluminum

### Certifications

- UL and ULC listed
- IP 65      •ASTM and PCI for finish

### Ordering Matrix

For details and specifications, see our website at [www.selux.com/usa](http://www.selux.com/usa)

**Series** | 005 SILL® Power Spot 005

**Beam Pattern** | SN1 | SN2 | SN3 | SN4 | SN5

**Lamping Metal Halide** | MH2000DE 2000w HIT-DE Cable

**Voltage** | 120\* | 277 | 347 | 480

**Finish** | NA Natural Aluminum

**Mounting** | 1 Yoke Mount

**Options** | RL Ring Louver

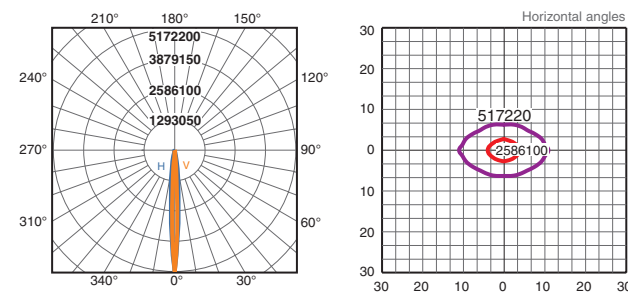
\*1000w only

NOTE: Fixture always supplied with Remote Ballast and Anti-Glare Shield.

[CLICK HERE FOR LAMP INFO.](#)

### Photometry

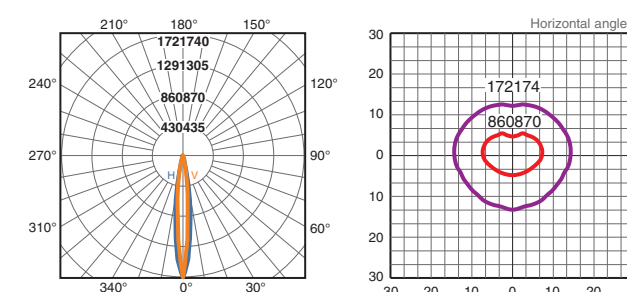
#### 005-1-200



H - Horizontal axial candela  
 V - Vertical axial candela  
 Maximum Candela = 5172200  
 located at:  
 Horizontal angle = 0°  
 Vertical angle = 0°

■ Beam Angles  
 (50% max. candela = 2586100)  
 H = 7.7° V = 5.4°  
 ■ Field Angles  
 (10% max. candela = 517220)  
 H = 21.5° V = 12.2°  
 NEMA Class 2H x 1V

#### 005-3-200



H - Horizontal axial candela  
 V - Vertical axial candela  
 Maximum Candela = 1721740  
 located at:  
 Horizontal angle = 0°  
 Vertical angle = 0°

■ Beam Angles  
 (50% max. candela = 860870)  
 H = 14.4° V = 9.4°  
 ■ Field Angles  
 (10% max. candela = 172174)  
 H = 28.2° V = 25.1°  
 NEMA Class 2H x 2V

For more options, see our website at [www.selux.com/usa](http://www.selux.com/usa)