

# Ritorno® Round Symmetrical



Project: \_\_\_\_\_

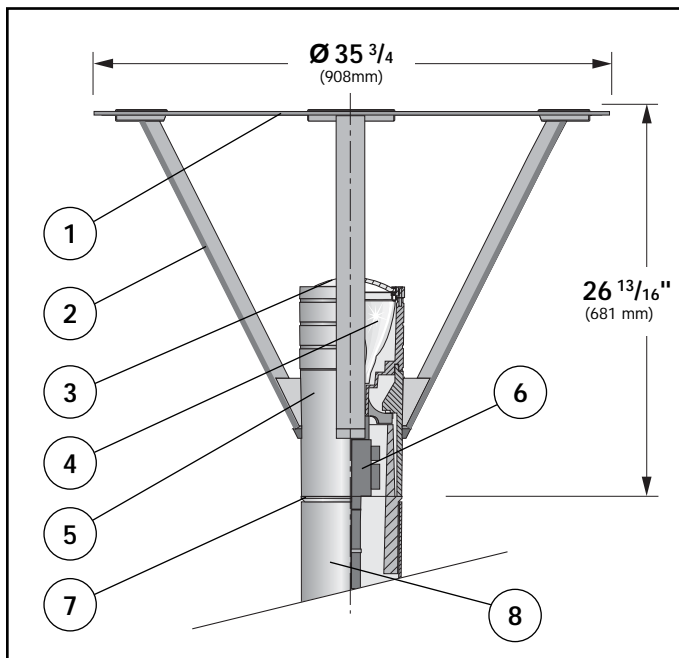
Type: \_\_\_\_\_ Qty: \_\_\_\_\_

RRS - - - - - L -  
 Fixture Series Mounting Lamp Type/Wattage Finish Voltage Height Options Options

LAMPS SUPPLIED WITH FIXTURE EXCEPT FOR NOL OPTION. SEE PAGE 2 FOR LAMP DETAILS.

Series	Mounting	Lamp Type / Wattage			Finish	Voltage	Height	Options
RRS Ritorno® Round Symmetrical	1 Single W Wall Mount	<u>Metal Halide</u>			WH White BK Black BZ Bronze SV Silver SP Specify RAL#	120 208 240 277 347	RP12 12'(3.7m) (not applicable for wall mount) or specify custom  Consult factory for custom heights.	L Lamp Supplied NOL No Lamp Supplied*** REC GFCI Receptacle (pole mount only)  Consult factory for other options
		H050* 50w H070 70w H100 100w H150 150w H175 175w	<u>HPS</u> S050* 50w S070 70w S100 100w S150 150w	<u>T6 Metal Halide</u> H070T6 70w H150T6 150w				
		<u>QL Induction</u>						
		QL85* 85w QL165** 165w						

\* Only available in 120v and 277v. \*\* Only available in 277v only. \*\*\*Not available for QL lamps.



**1. Reflective Shade** - Ø35 3/4" (908mm), minimum 3/16" (4.7mm) thick aluminum reflector shade painted white for maximum reflectivity. Supplied with drip groove around perimeter, to prevent rain marks on underside. Shade attached to fixture arms with low profile stainless steel hardware.

**2. Fixture Arms** - Three natural, marine grade stainless steel with bead-blasted finish, rigidly attach reflector shade to pole fitter.

**3. Lamp Cover** - Heat-tempered convex lens protects lamp and reflector assembly. Continuous molded silicone gasket creates sealed optic chamber for weather proofing, dust and insect control. Door pivots open from lamp chamber for relamping. Three captive stainless steel screws secure lamp cover in position.

**4. Lamp** - One coated, base down, medium base ED-17 metal halide up to 175w; high pressure sodium up to 150w ; 70w or 150w ceramic G12 base T6 metal halide (830 - 3,000° K); or 85w or 165w QL induction lamp (840 - 4,000° K). Other lamps/colors available, consult factory. Lamp supplied with fixture unless otherwise specified.

**5. Optic Chamber** - Die cast aluminum optic chamber houses highly specular precision reflector & 4KV pulse rated medium base socket and lamp. Secures to pole fitter with quarter turn mechanism, locked in place with a single screw. Optic chamber is removable from pole fitter for ballast access, without the necessity of removing the fixture head from the pole.

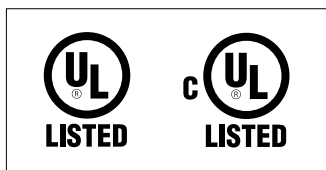
**6. Ballast** - Core and coil ballast factory wired to socket. Removable ballast bracket is secured to optic chamber for ease of maintenance. Consult factory for more detailed ballast information.

**7. Pole Fitter** - Die cast aluminum fitter secures fixture arms and reflective shade to pole. Tapered to continue lines from pole.

**8. Pole** - Pole to be aluminum and taper from 5" diameter at the bottom to 7" diameter at the top. Pole wall thickness to be minimum 0.156 thick, supplied with a 3" x 5" hand hole, with cast 356 aluminum tempered to a T6 condition reinforced frame, with integral ground lug connection and gasketed flush fitting door.

**9. Base Cover** - (not shown) Standard two-piece base cover is made from die-cast 356 alloy aluminum which is heat treated to produce a T6 temper, measuring 4 1/2" (115mm) height by 12 1/2" (316mm) diameter.

**Exterior Luminaire Finish** - SELUX utilizes a high quality Polyester Powder Coating. All SELUX luminaires and poles undergo a five stage intensive pretreatment process where product is thoroughly cleaned, phosphated and sealed. SELUX powder coated products provide excellent salt and humidity resistance as well as ultra violet resistance for color retention. All products are tested in accordance with test specifications for coatings from ASTM and PCI. Standard exterior colors are White (WH), Black (BK), Bronze (BZ), and Silver (SV). RAL colors (SP) are available, please specify RAL#.



**Union Made  
 Affiliated with  
 IBEW Local 363**

SELUX Corp. © 2004  
 PO Box 1060, 5 Lumen Lane  
 Highland, NY 12528  
 TEL (845) 691-7723  
 FAX (845) 691-6749  
 E-mail: seluxus@selux.com  
 Web Page: www.selux.com/usa  
 RRS-0105-01 (ss-V3.21)

In a continuing effort to offer the best product possible, we reserve the right to change, without notice, specifications or materials that in our opinion will not alter the function of the product. Specification sheets found at www.selux.com/usa are the most recent versions and supercede all other printed or electronic versions.

# Ritorno® Round Symmetrical

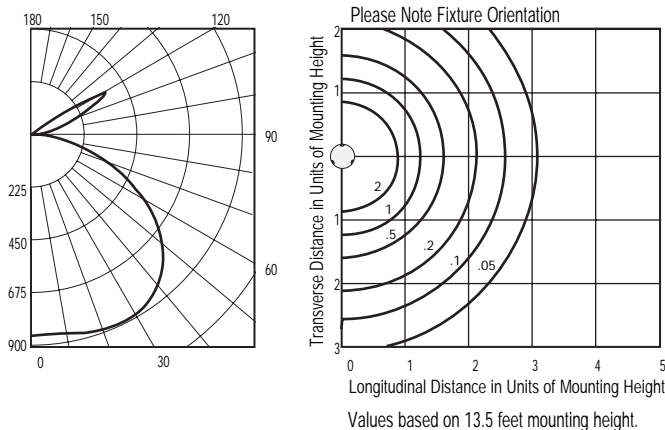


## RRS Photometry

Catalog # RRS - 1 - H175 - - - RP12  
Report # LSI 15625

- Maximum candela of 899.2 at 25° from vertical.
- IES classification - Type V, Cutoff

HID Lamp Prorate Table (ED-17 Coated, Base-Down Lamp)					
High Pressure Sodium			Metal Halide		
Wattage	Factor	Initial Lumens	Wattage	Factor	Initial Lumens
50	0.26	3700	50	0.24	3400
70	0.41	5800	70	0.36	5000
100	0.63	8800	100	0.56	7800
150	1.04	14500	150	0.89	12500
			175	1.00	14000



Lamps Supplied with Fixture						Other color temperatures available upon request						
Catalog Number	Description	Bulb	Operating Position	Base	Lamp Finish	Lamp Color	ANSI Designation	Initial Lumens	Mean Lumens	CRI	CCT (K)	Life (hours)
H050	50 Watt	ED17	Universal	Med. Base	Coated	830	M110/E	4000	3000	82	3000	10000
H070	70 Watt					830	M98/E	6000	4800	82	3000	10000
H100	100 Watt					830	M90/E	9000	7200	85	3000	12500
H150	150 Watt					939	M102/E	1250	8750	93	3000	12000
H175	175 Watt					637	M57/E	13000	8380	65	3700	10000
S050	50 Watt	ED17	Universal	Med. Base	Coated	N/A	S68	3800	3420	21	1900	24000+
S070	70 Watt						S62	5860	5270	21	1900	24000+
S100	100 Watt						S54	8800	7920	21	2100	24000+
S150	150 Watt						S55	15000	13500	21	2100	24000+
H070T6	70 Watt	T6	Universal	G12	Clear	830	M139/E	6600	5200	82	3000	12000
H150T6	150 Watt						M142/E	14000	10800	85	3000	12000
QL85	85 Watt	NA	Universal	NA	Coated	840	NA	6000	4800	80	4000	100000
QL165	165 Watt						NA	12000	9600	80	4000	100000

Note: Lamp data provided for reference only and is believed to be accurate at time of printing. Consult manufacturers' data for updated and accurate specifications, along with any specifications and precautions. Contact SELUX for specific manufacture if required. Other lamps are available, contact SELUX with any special requests. All lamps and ballasts supplied by SELUX are usually covered under the ballast and lamp manufacturers' warranties.

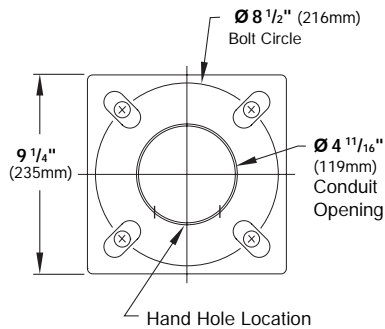
SELUX Corp. © 2004  
PO Box 1060, 5 Lumen Lane  
Highland, NY 12528  
TEL (845) 691-7723  
FAX (845) 691-6749  
E-mail: seluxus@selux.com  
Web Page: www.selux.com/usa  
RRS-0105-02

In a continuing effort to offer the best product possible, we reserve the right to change, without notice, specifications or materials that in our opinion will not alter the function of the product. Specification sheets found at www.selux.com/usa are the most recent versions and supercede all other printed or electronic versions.



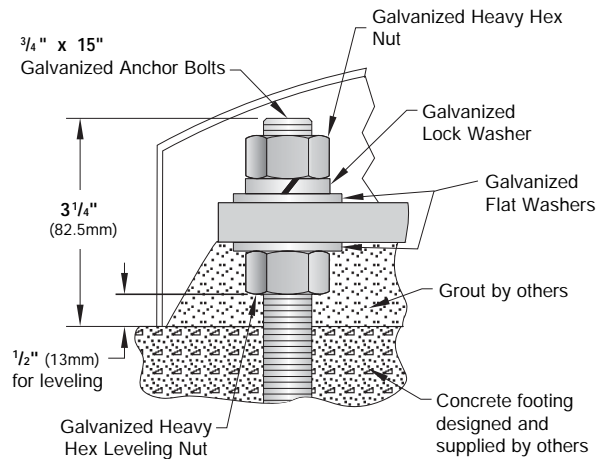
## Bolt Circle

Use caution when setting anchor bolts. Bolts must be vertically straight and centered on dimensions shown.



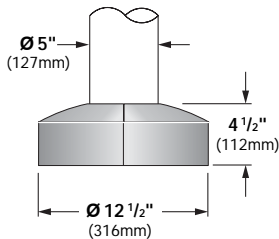
Note: Adequate drainage must be provided in concrete foundation or grout.

## Anchor Bolt Detail

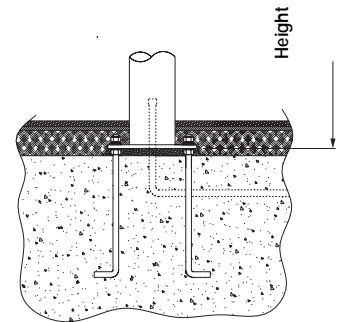


## BC3 Standard Base Cover

Die-cast aluminum, two-piece field installable base cover.

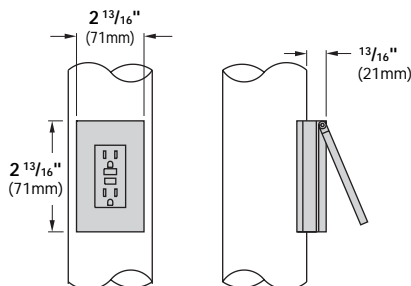


## Alternate Mounting Detail



## Options

**GFCI Receptacle (REC)** - GFCI duplex receptacle with cast base welded to pole and gasketed, provided with weather-proof, self-closing cover; located 36" (915mm) from base of pole, inline with handhole. Receptacle is intended only for portable tools or other portable equipment to be connected to outlet only when attended by operating personnel.



**All Poles** are constructed per AASHTO standards for structural supports for highway signs, luminaires and traffic signals as published in 1975, amended and adopted in 1985 and 1994.

A consideration of field conditions such as (but not limited to) wind zone, height, vibration must be given by the designer/specifier for the appropriate application.

Performance of poles is dependent upon proper support/attachment of pole to adequate foundation design. SELUX does not design or offer recommendations for foundations. EPA values assume that the bottom of the pole is at grade level.

Call SELUX (1-800-SELUXCS) if there are any questions, or for any assistance in determining suitability with appropriate fixtures.

SELUX Corp. © 2004  
 PO Box 1060, 5 Lumen Lane  
 Highland, NY 12528  
 TEL (845) 691-7723  
 FAX (845) 691-6749  
 E-mail: seluxus@selux.com  
 Web Page: www.selux.com/usa  
 RRS-0105-04 (6-49096-00)

In a continuing effort to offer the best product possible, we reserve the right to change, without notice, specifications or materials that in our opinion will not alter the function of the product. Specification sheets found at www.selux.com/usa are the most recent versions and supercede all other printed or electronic versions.