

# MTR Column



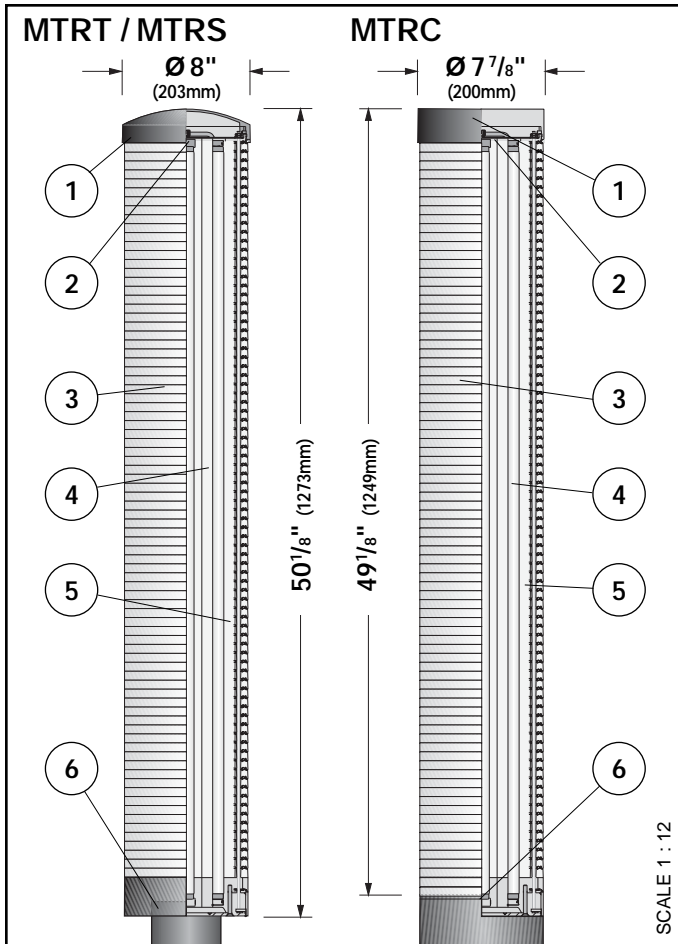
Project: \_\_\_\_\_

Type: \_\_\_\_\_ Qty: \_\_\_\_\_

Fixture Series      Height      Lamp Type / Wattage      Finish      Voltage      Options

Series	Height	Lamp Type / Wattage	Finish	Voltage	Options
MTRT MTR* Column Round Tapered Pole	12 12' 14 14' 16 16'	1T8 (1x)FO32T8	WH White BK Black BZ Bronze SV Silver SP Specify RAL#	120 277 347	REC GFCI Receptacle  Consult factory for other heights and options
MTRS MTR* Column Round Straight Pole		2T8 (2x)FO32T8			
		3T8 (3x)FO32T8			
MTRC MTR* Column Round 8" Straight Pole		4T8 (4x)FO32T8			

\* US Patent No. 4,669,034



**1. Fixture Cover** - Die-cast, aluminum cover, with smooth crisp form to reflect and complement the column design. Thick-walled, aluminum cover is painted white on the interior for maximum luminaire efficiency. Removes by loosening three vandal-resistant, stainless steel screws for easy access to lamp chamber.

**2. Gasketing** - Continuous gaskets provide weather-proofing, dust, and insect control at base of column, fixture cover, and between MTR rings.

**3. Shielding** - Consists of 8" (200mm) diameter injection-molded acrylic multi-prisms for total reflection (MTR). MTR rings have a wall thickness of .591" and are patterned after the light-bending characteristics of a prism (US Patent 4,669,034).

**4. Lamps** - One, two, three or four FO32T8 (32 watts each) fluorescent lamps on removable gear tray, mounted vertically. Lamps provided by others.

**5. Diffusing Cylinder** - Satine acrylic cylinder between lamps and MTR rings to diffuse lamp image for maximum performance and visual comfort.

**6. Column Fitter** - Die-cast aluminum fitter, with built-in gasketing ridges, for smooth transition to column.

**7. Ballast** (not shown) - Electronic ESB, high power factor, class P, type A sound rating. Minimum lamp starting temperature 0 F (-20 C). Consult factory for more detailed ballast information.

**8. Base Cover** - (not shown) Standard two-piece base cover is made from die-cast 356 alloy aluminum which is heat treated to produce a T6 temper, measuring 4 1/2" (115mm) height by 12 1/2" (316mm) diameter.

**Exterior Luminaire Finish** - SELUX utilizes a high quality Polyester Powder Coating. All se lux luminaires and poles undergo a five stage intensive pretreatment process where product is thoroughly cleaned, phosphated and sealed. se lux powder coated products provide excellent salt and humidity resistance as well as ultra violet resistance for color retention. All products are tested in accordance with test specifications for coatings from ASTM and PCI.

Standard exterior colors are White (WH), Black (BK), Bronze (BZ), and Silver (SV). RAL colors (SP) are available, please specify RAL#.

SELUX Corp. © 2005  
TEL: (845) 691-7723  
FAX: (845) 691-6749  
www.selux.com/usa  
MTRC-0606-01 (v2.0)



Union Made Affiliated  
with IBEW Local 363

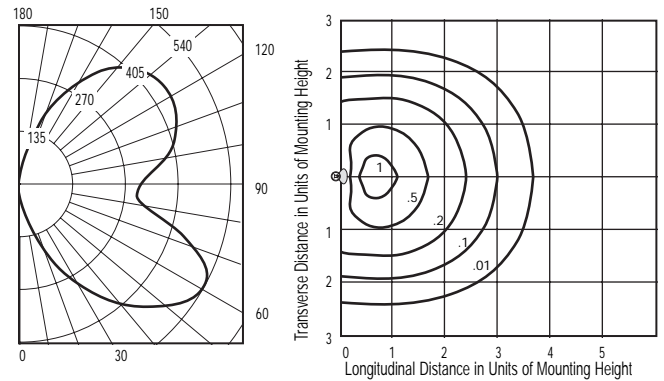
In a continuing effort to offer the best product possible, we reserve the right to change, without notice, specifications or materials that in our opinion will not alter the function of the product. Specification sheets found at www.selux.com/usa are the most recent versions and supercede all other printed or electronic versions.

## Photometry

### MTRT with 1T8 lamp

Catalog # MTRT - 12 - 1T8  
Report # SX 17021

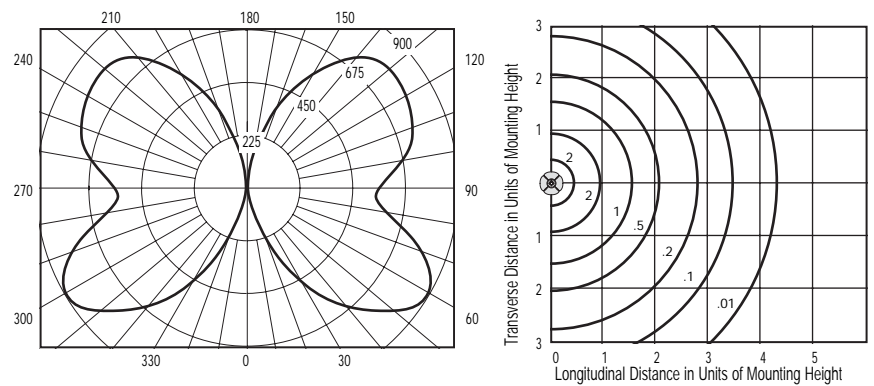
- Maximum candela of 540.2 at 60° from vertical.
- IES classification - Type IV Non-Cutoff



### MTRT with 4T8 lamps

Catalog # MTRT - 12 - 4T8  
Report # SX 17020

- Maximum candela of 898.2 at 57.5° from vertical.
- IES classification - Type V Semi-Cutoff

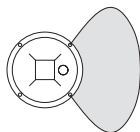


### Conversion Chart

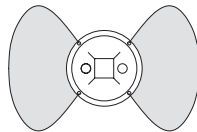
Values based on 14' (4.3m) mounting height.

Mounting Height	Multiply
12' (3.7m)	1.36
14' (4.3m)	1.00
16' (4.9m)	0.77

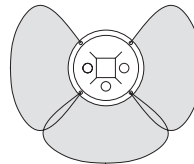
**1T8**



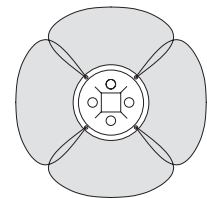
**2T8**



**3T8**



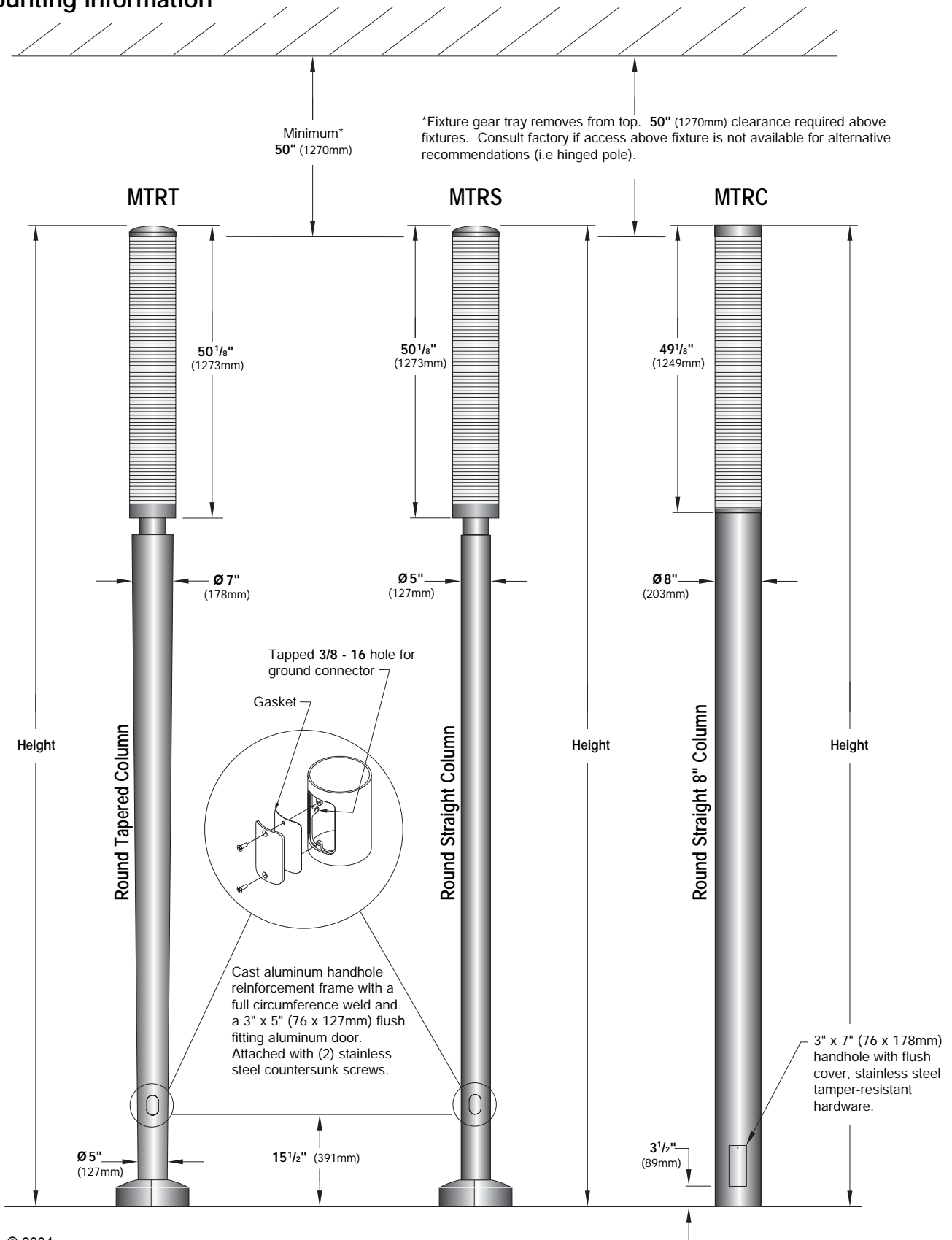
**4T8**



# MTR Column



## Mounting Information



SELUX Corp. © 2004  
 PO Box 1060, 5 Lumen Lane / Highland, NY 12528-1060  
 TEL: (845) 691-7723 / FAX: (845) 691-6749  
 E-mail: seluxus@selux.com / Web Site: www.selux.com/usa  
 MTRC-0606-03

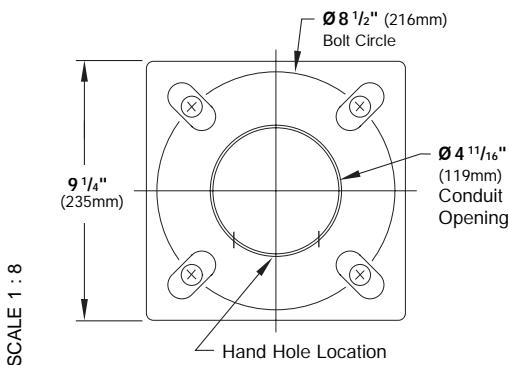
In a continuing effort to offer the best product possible, we reserve the right to change, without notice, specifications or materials that in our opinion will not alter the function of the product. Specification sheets found at www.selux.com/usa are the most recent versions and supersede all other printed or electronic versions.

# MTR Column



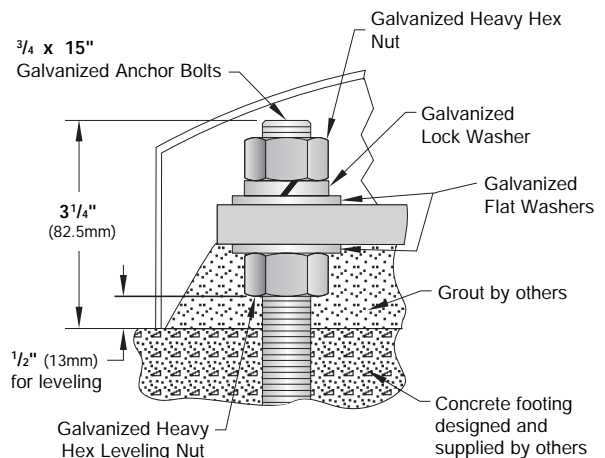
## MTRT/MTRS Bolt Circle

Use caution when setting anchor bolts. Bolts must be vertically straight and centered on dimensions shown.



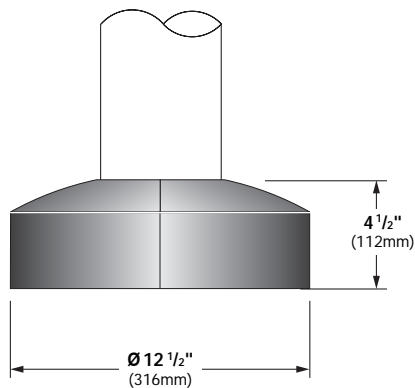
Note: Adequate drainage must be provided in concrete foundation or grout.

## MTRT/MTRS Anchor Bolt Detail

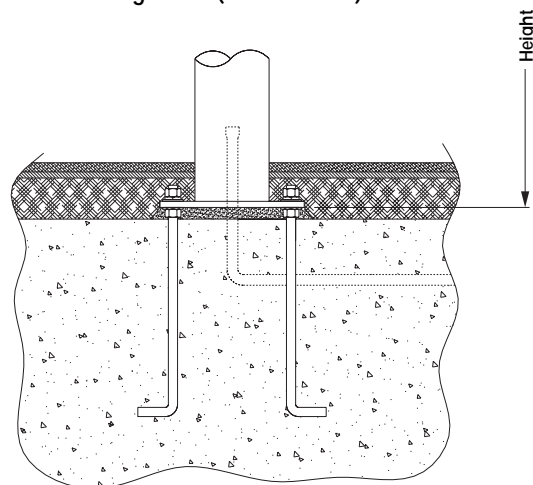


## BC3 Standard Base Cover (MTRT/MTRS)

Die-cast aluminum, two-piece field installable base cover.

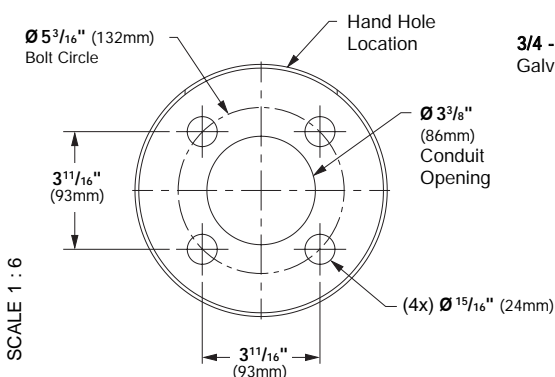


## Alternate Mounting Detail (MTRT/MTRS)



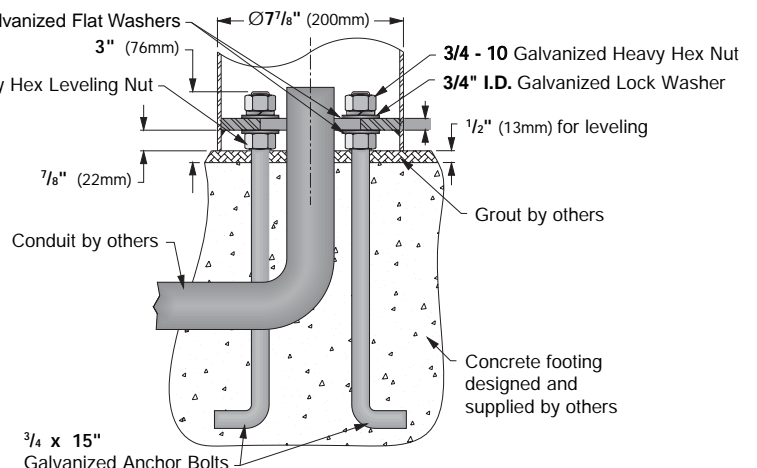
## MTRC Bolt Circle

Use caution when setting anchor bolts. Bolts must be vertically straight and centered on dimensions shown.



Note: Adequate drainage must be provided in concrete foundation or grout.

## MTRC Anchor Bolt Detail



## Options

**GFCI Receptacle (REC)** - GFCI duplex receptacle with cast base welded to pole and gasketed, provided with weather-proof, self-closing cover; located 36" (915mm) from base of pole, inline with handhole. Receptacle is intended only for portable tools or other portable equipment to be connected to outlet only when attended by operating personnel.

