

# CAVALETTO II

## LED RECESSED ADJUSTABLE FLOOD

CAV-II  
LED

### APPLICATION:

Retail and commercial wall lighting

### CONSTRUCTION:

Extruded aluminum heat sink with stamped aluminum end plates  
Formed steel trim and upper housing  
Powder coat paint

### ELECTRICAL:

Electronic constant current LED driver,  
120v or 277v input  
Dimming down to less than 20%, available on 120v only with ELV (reverse phase) dimming equipment, consult factory for approved device list  
**This product complies with IEEE C62.41 for surge endurance up to 2.5KV. Amerlux recommends using additional surge protection with this unit (supplied by others), surge damage is not covered by warranty.**

### MOUNTING:

For use in T-grid or sheet rock ceilings

### OPTICS:

LED cluster  
Color Temp: 2700K, 3000K, 3500K, 4000K  
CRI: 85  
Life: 50,000 hrs  
Lumen Maintenance: >70% of initial lumens @ 50,000 hrs  
Lumen output: 2896 typical  
45° tilt  
Vertical aiming angle indicator  
Locking vertical adjustment  
Beam options: Wide Flood 45°, Very Wide Flood 60° and Wall Wash 90° x 60°

### LABELING:

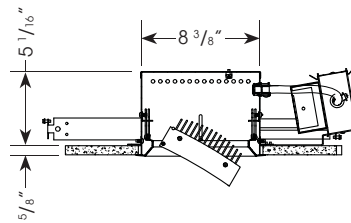
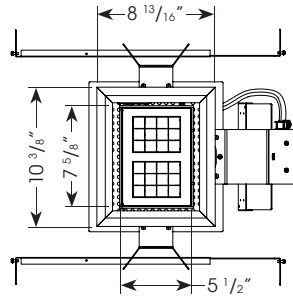
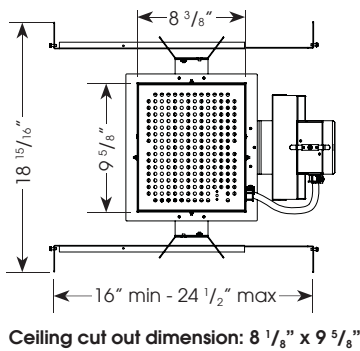


Mark spacing 24"  
For indoor use only



PROJECT:

TYPE:



### ELECTRICAL

Driver	System	
	Watts	Amps
Electronic 120v	48	0.40
	277v	0.17

Class 2 constant current driver, 700 mA

### ORDERING INFORMATION:

Model	Wattage	Lamp Type	Driver	Finish	Voltage	Beam Spread	Color Temp	Options
CAV-II	48	LED	E - electronic	WT - white texture	120 277	WF - wide flood, 45° VWF - very wide flood, 60° WW - wall wash, 90° x 60°	2700 3000 3500 4000	DIM-ELV - ELV dimming (120v only) HILUME - Lutron Hilume® dimming 0-10V - 0-10v dimming

Example: CAV-II-48-LED-E-WT-120-WF-3000

Cat #:

Amerlux reserves the right to change details that do not affect overall function and performance.

Amerlux, LLC • 23 daniel road, fairfield NJ 07004 • p: 973.882.5010 f: 973-882.2605 • www.amerlux.com

LIT-0771 rev 2/14

