



MERINO COLLECTION PLANNING GUIDE + PRICE LIST  
January 2014



NUCRAFT



## You design. Let us handle the details.

Nucraft offers a free, online product configuration and specification service that saves you time and allows you to be creative while leaving the nuts and bolts to someone else.

- No special software is required, nor is there any learning curve.
- The service applies to all Nucraft products including private office products, conference room products, reception stations, and training tables.
- You can generate quick and accurate answers for budget estimates and/or quick and exact specifications for final quotes.
- Revisions can be made any time you like, and total accuracy is guaranteed.

---

### How it works.

Called iSpec, this service is as close as your phone and your Internet-connected computer. You can use it anytime you need to configure, specify, or price Nucraft furniture. Here is how it works :



1. Schedule an iSpec session by calling 1-877-NUCRAFT or by visiting [www.nucraft.com/ispec](http://www.nucraft.com/ispec). (You will be asked to provide some preliminary information on the project. We will respect the confidentiality of the information.)



2. At the scheduled time, a Nucraft project specialist will contact you at the telephone number you provide.



3. You will be directed to the online collaboration site. (All you need is an Internet connection and a Web browser.)



4. Once you are at the site, the Nucraft project specialist will work with you in real time to configure the required product based on your specific direction. (Watch the screen as your workstation appears.)



5. When the specification process is completed, you will receive 2-D or 3-D drawings, the specification itself with guaranteed accurate pricing, and the estimated lead time. (Follow-up sessions may be scheduled at your request to make any necessary modifications.)

iSPEC — IT'S FAST, IT'S FLEXIBLE, IT'S A FREE SERVICE FROM NUCRAFT.

# Table of Contents

<b>INTRODUCTION</b>	<b>3-12</b>
Nucraft Representatives	4
General Information	4-5
Finish Information	6-7
Surface Materials	8
Tackzone Fabric	9
Upholstery Fabric	10
COM Specification	11
Specification Tools	12
Environmental Statement	12
<b>MERINO COLLECTION PLANNING GUIDE</b>	<b>13-27</b>
<b>MERINO COLLECTION PRICE LIST</b>	<b>28-58</b>



# Introduction

---

<b>Nucraft Representatives</b>	<b>4</b>
<b>General Information</b>	<b>4-5</b>
<b>Finish Information</b>	<b>6-7</b>
<b>Surface Materials</b>	<b>8</b>
<b>Tackzone Fabric</b>	<b>9</b>
<b>Upholstery Fabric</b>	<b>10</b>
<b>COM Specification</b>	<b>11</b>
<b>Specification Tools</b>	<b>12</b>
<b>Environmental Statement</b>	<b>12</b>

# Nucraft Representatives General Information

Nucraft has independent sales representatives throughout the United States, Canada, Mexico, and the Middle East.

Please visit [www.nucraft.com/find-a-rep](http://www.nucraft.com/find-a-rep) to locate a sales representative in your territory.

This price book supercedes all previous versions.

## How to Order

**Before placing your order, confirm you have all required information necessary. Lead times for orders begin after all required information is included and correct.**

## Delivery Information

Our goal has always been to provide the very best service to our customers. We know lead times are important and sticking to them even more so. We work to maintain a 6-8 week lead time on all standard products in this book from receipt of a clean order. All orders are acknowledged with an approximate shipping date and will be invoiced with the price in effect at the date the purchase order is received.

Shipping charges are prepaid (within the continental U.S.). Therefore, pricing is a delivered price based on normal ground transportation. If you have special instructions, need to ship by air, or are shipping to Alaska or Hawaii, contact Nucraft Customer Service. Nucraft can also help arrange to have products blanket wrapped for an additional charge. Contact Nucraft Customer Service team or specify it on your purchase order.

**Minimum Freight Charge: Any order below \$1,800 net will be assessed an \$210 net minimum freight charge (one per order).**

Orders are subject to acquiring the materials required for manufacturing. Fulfillment can be affected by strikes, fires, embargoes and acts of government. These elements are beyond our control.

## Freight Terms

Shipping charges for Nucraft products are prepaid for standard delivery in the continental United States. Standard delivery is defined as follows: Product is delivered on a 53' trailer being pulled by a long-haul tractor (total length of 85'). Facility will receive delivery Monday through Friday between the hours of 8:00 AM and 4:00 PM. Facility has docks with levelers and a fork truck for unloading. Product will be loaded on load bars two levels high. Receiving facility is responsible to have personnel on hand to unload the truck upon arrival, drivers do not unload. Delivery sites or times that do not meet this criteria will be accommodated, but will typically incur a charge to cover additional shipping costs. Please notify Nucraft in advance of the shipment if this is the case and the additional charge (if any) will be determined by Nucraft.

Product ships FOB dock. The customer obtains title to their product and materials, and assumes the risk of loss for them, upon shipment from Nucraft's facilities.

## Storage

Nucraft has no storage facilities for finished product. If a customer cannot accept an order when it is ready for shipment, the customer must designate an alternative shipping address. If no address is provided, Nucraft may, in its discretion, transfer the product to storage. If product is transferred to an off-site storage facility, the customer may be charged for transportation to the facility and for any associated storage fees. Nucraft considers transfer of the product to a storage facility the equivalent of shipment, including invoicing and payment. Customers assume the risk of damage or loss during storage.

## Transportation Times and Delays

Third party carriers that Nucraft contracts with will make reasonable efforts to accommodate requested delivery times and dates. Scheduled delivery appointments may, however, be delayed for a variety of reasons, including inclement weather, traffic, transportation equipment problems, and delays encountered at other delivery locations along the delivery route. Nucraft does not recommend scheduling activities that depend on the delivery

# General Information

appointment (for example, scheduling furniture installers to install furniture the day of the delivery appointment). Nucraft shall not be liable for any costs incurred as a result of a missed delivery appointment.

## Shipment Damage Claims

Legal title to merchandise passes to the buyer upon acceptance by the carrier. **Inspect all cartons upon delivery.** Details of visible damage should be noted on the delivery receipt. Do not install product if damage is found upon inspection. The carrier should be notified by the buyer to inspect the merchandise, and file a claim immediately. If visible damage is not apparent, sign the delivery receipt "No visible damage." This will allow recourse for a concealed damage claim. Although most claims for transportation damages must be filed against the carrier within nine months of the date of delivery, concealed damage claims must be filed within 15 days of receipt.

Do not destroy packing materials until shipment has been inspected. Then proceed to file a claim with the carrier.

**Failure to make any claims against Nucraft within 10 days shall constitute acceptance of the merchandise and a waiver of any defects, errors or shortages discovered upon inspection.**

## Cancellations

Cancellations must be reviewed by our Customer Service team. Because we build your products to order, orders cannot be cancelled once processing has begun. Processing includes but is not limited to development of shop drawings and other engineering drawings. If cancellation is approved, a processing fee of 20-100% will be assessed based upon the status of the order.

## Repair Authorization

Prior written approval is required for repairs of merchandise charged to Nucraft. Failure to do so will result in customer funded repairs.

## Payment Terms

Terms of payment consist of a 1% cash discount for payment within 10 days of invoice date or payment of the net amount due within 30 days of the invoice date (1% 10 days, net 30 days). Discount is not allowed on credit card payments.

## Credit Card Payments

When paying by credit card (Visa, Mastercard or American Express), include the card number, expiration date, card holder name (printed) and card holder signature on the purchase order. A credit card payment form is available upon request. No cash discount allowed on credit card payments.

## Warranty

Nucraft warrants that each piece of furniture it manufactures will be free from defects in materials and workmanship for a period of ten years of single-shift use. Textiles, decorative trim, electrical components, lamps, mechanical devices, casters and custom-made products not described in Nucraft's catalog are warranted for one year from the date of original delivery. This warranty is applicable only if the furniture is given normal and proper care and is properly installed and maintained in an office environment. This warranty extends only to products manufactured and sold in North America and only to original purchasers acquiring new Nucraft products through authorized dealers, or from others specifically authorized by Nucraft to sell its products.

Nucraft's sole obligation under this warranty is to repair or replace, at Nucraft's discretion, products which prove to be defective during the warranty period. Purchasers may be required to establish that a claim is within the warranty period. To initiate a warranty claim, the purchaser should contact an authorized Nucraft dealer.

This warranty does not cover: 1) Damage caused by a carrier 2) COM (Customer's Own Material) specified by the customer that is not a standard product offering 3) Color, grain or texture of wood and other covering materials (due to the natural variations over which Nucraft has no control) 4) Damages resulting from user modification, attachments to a product, misuse, abuse, alteration or negligent use.

**Nucraft extends no other warranties, expressed or implied, including warranty of merchantability or fitness for a particular purpose. Nucraft shall not be liable for loss of time, inconvenience, commercial loss, incidental or consequential damages.**

# Finish Information

## Surface Materials Palette

We crafted our materials palette using the same demanding standards that distinguish our furniture. Thoughtful design and attention to every detail elevate your possibilities.

Anchored by Nucraft veneers, unrivaled for clarity, quality, and depth of finish, our collection of surface materials comprises a sophisticated set of balanced elements that supports your design vision.

Some elements have their roots in Nucraft's rich heritage. Other's are new materials and reflect current trends and taste. Together, they ensure that you're ready for today and positioned well for the future. Beautifully.

## Custom Finishes

Nucraft specializes in expert custom finish matching. For a nominal upcharge we can provide custom finishes, and we are frequently asked to match the finishes of other furniture manufacturers. For orders over \$5000 list, a finish sample will automatically be sent for approval prior to entering the order. Additionally, for finishes that appear unusual to match or for customers directly requesting a sample, a finish sample will also be sent for approval prior to entering the order.

Custom finishes requiring colored varnishes to create a painted look can only be applied to Maple veneer and require one extra week in addition to the standard leadtime. Nucraft's standard black finish (G82) can be applied to all Nucraft standard veneers. Walnut is the standard black veneer. Other species must be specified when ordering.

Custom finishes carry a 10% upcharge per item, per finish.

Do not add the finish upcharge to any item that is not wood. Example: casters, ganging connectors.

## Treatments

**Note: Default veneer sheen will vary per finish and were determined by a team of experts who reviewed the colorways to determine if gloss or matte best highlighted the natural characteristics of the species of wood and the color of the stain. Default finish is bolded on Page 8. If no direction is provided on incoming orders, default sheen will be selected.**

**Gloss:** Gloss is a durable finish that tends to nicely mask normal wear and leaves wood grain visible to the eye. It achieves a medium gloss open pore appearance (40 – 50 sheen range). Finish numbers preceded by the letter "G" indicate a Gloss finish.

**Matte:** Like Gloss, Matte is durable, tends to nicely mask normal wear and leaves wood grain visible to the eye. It achieves a low luster, open pore appearance (10 – 20 sheen range). Finish numbers preceded by the letter "M" indicate a Matte finish.

Since each veneer type responds differently to both types of treatment, all will have a distinctive look and feel when finished. For example, a Walnut veneer with a Gloss treatment will remain much more textured than a Cherry veneer with the same treatment.

## About the Wood

All Nucraft veneers are carefully selected for uniformity of color and grain. Still, wood is a natural substance and minor variations may occur due to its own uniqueness. Because of this, the furniture you receive may not be an exact match to our samples.

Nucraft takes great pride in our finish color consistency. However, wood is a natural product that will have color variation within a single piece of furniture, as well as from one piece to the next. Other factors also affect color over time, such as exposure to light (both intensity and duration). For example, lighter finishes cause more variation in colors over time.

In cases where a returning customer wants a precise match with existing furniture, we recommend sending a sample of the existing furniture finish. Please contact Nucraft Customer Service to determine an appropriate sample. This will ensure a finish match between old and new orders. This type of order is considered a control sample. There will be a 10% upcharge on an order of this type. Due to natural aging of veneers, natural finishes may vary.

## Care and Maintenance of Wood Finishes

Our finish material is a crystal clear, urethane acrylic blend. This type of finish may be repaired in the field by a qualified refinisher. Contact our Nucraft Customer Service team for detailed touch-up and refinishing instructions.

Nucraft recommends using a damp cloth to clean your fine wood furniture. Always wipe with the grain of the wood. Should your wood furniture require a more thorough cleaning, we recommend using a mild cleaner such as Joy dish soap or Murphy's oil soap, thoroughly diluted in water (one part soap to thirty parts water). Water will not damage Nucraft's finish, but will leave surface spots when it dries. To avoid this, dry the surface with a soft cloth after it is cleaned. Marks that cannot be removed with the cleaning methods above may be able to be removed using naphtha, a mild degreasing solvent.

**Caution:** while the use of polishes that contain wax, petroleum solvents or silicones may immediately enhance the "shine" of a product, it may also eventually remove the fine original finish applied in our factory. Silicone on the surface of wood may also make it very difficult to respray or refinish.

All Nucraft furniture is inspected and polished before it leaves our factory. In some instances, the packing materials may imprint on the factory polish. Cleaning and polishing the furniture once it is unpacked will normally restore the furniture to its original beauty.

In some cases, the rubber support feet used on the bottom of common office equipment (teleconferencing phones, laptops, microphones, copiers, etc.) can create unsightly marks in the surface of wood tops, due to oxidation of the lacquer finish. We suggest these machines be placed on a protective type of padding, such as felt.



# Finish Information

## Laminates

Selected Formica®, Nevamar®, and WilsonArt® laminates are available on Satellite Tables, A/V and Presentation Cart top insets as well as Conference Tables, Conference Room Furniture, Visual Boards and select Occasional Tables. For standard laminate and wood pricing, refer to individual item pricing columns.

## Non-Standard Laminates

To order a color other than those on our list (see Page 8), refer to Nevamar, WilsonArt, or Formica standard grade, matte texture or Pionite standard grade, suede texture laminate offerings (excluding manufacturers' non-standard matte offering). **Add \$90 list per item for a non-standard solid, matrix or pattern.** Add 20% per color for woodgrain laminates (includes stained-to-match for remainder of unit to match laminate color). Add one week to the lead-time for all non-standard laminate orders. Call the Nucraft Customer Service team for quotes on premium grades and laminates. Mirror and metal laminates are not available.

## Care and Maintenance of Laminate

Laminate surfaces may be cleaned with a damp cloth and ordinary soap or non-abrasive household liquid detergent. Dry the surface with a clean cloth or soft paper towel to prevent streaks from appearing.

## Care and Maintenance of Metal

Metal surfaces can be wiped with a damp cloth and rubbed dry. A mild non-abrasive household liquid detergent can be used if necessary. Regular maintenance of metal components, including tightening of fasteners and light lubrication of moving parts, will extend the life of your furniture.

## Care and Maintenance of Glass

Clear or frosted glass may be cleaned with commercial glass cleaner. Be sure to use a lint-free cloth if cleaning the frosted side of the glass.

## Stone and Solid Surface Material

Despite its reputation for durability, natural stone can easily be broken during handling and/or installation if proper techniques are not followed. In addition, Nucraft is not responsible for the installation of natural stone or solid surface materials on its products. Therefore, installers specifically trained in the installation of these materials must be utilized to ensure a quality installation. Nucraft shall not be liable for any damages incurred during the handling and/or installation of natural stone or solid surface materials on its products.

## Care and Maintenance of Stone

**Marble:** Marble is porous and stains easily. Wipe off anything spilled on marble immediately. Occasionally wash marble surfaces with lukewarm water and wipe dry with a clean cloth. To avoid leaving streaks, wipe surface with a damp chamois. Should your marble surfaces require a more thorough cleaning, wash with a mild household liquid detergent solution, rinse and wipe dry. A light coat of wax will protect the surface of marble but is not considered essential. If wax is applied, it should be a colorless wax.

**Granite:** Granite surfaces may be cleaned with a damp cloth and ordinary soap or non-abrasive household liquid detergent. Dry the surface with a clean cloth or soft paper towel to prevent streaks from appearing.

## Care and Maintenance of Leather

Genuine leather requires very little care. Nucraft recommends that leather be dusted regularly. If a more thorough cleaning is needed, use lukewarm water and a mild, non-abrasive soap. Generate some lather and lightly rub the surface with cheesecloth. Rinse off any soap film with clean water and towel dry. The leather may dry dull. To restore the leather to a normal gloss, rub it with a clean towel. Never use furniture polish, oil, varnish or ammonia. Saddle soap may be used to prevent the leather from becoming brittle or cracked and to maintain the original supple finish.

## Touch Up Finish Kits

Model #	Description	Price
KIT-M	Metal Kit	80
KIT-P	Paint Kit	80
KIT-S	Stain Kit	80

### REQUIRED INFORMATION: (ORDER CANNOT BE ENTERED WITHOUT THIS INFORMATION)

- Kit model number
- Quantity of kits
- Specify finish (See Page 8)

### General Information:

- Touch-up kits must be ordered on a purchase order separate from Nucraft product due to Hazmat shipping

# Surface Materials

## WOOD FINISHES

### STANDARD

Default veneer sheen will vary per finish and were determined by a team of experts who reviewed the colorways to determine if gloss or matte best highlighted the natural characteristics of the species of wood and the color of the stain. Default finish is bolded. If no direction is provided, default sheen will be selected.

	Matte	Gloss
<b>Ash</b>		
Chalk	M48	<b>G48</b>
Crème	M41	<b>G41</b>
Angora	<b>M49</b>	G49
Oat	M45	<b>G45</b>
Smoke	M47	<b>G47</b>

### Rift Cut Oak\*

Nougat	<b>M01</b>	G01
Wheat	<b>M02</b>	G02
Praline	<b>M04</b>	G04
Carbon	M03	<b>G03</b>

\*Not available on Camelot, Diamante, Eased Edge, Legere, Paragon, and Plaza.

### Cherry

Sherry	M20	<b>G20</b>
Cognac	M21	<b>G21</b>
Spring	M95	<b>G95</b>
Auburn	M93	<b>G93</b>

### Walnut

Marron	<b>M35</b>	G35
Mocha	<b>M33</b>	G33
Zinc	M30	<b>G30</b>
Onyx	M82	<b>G82</b>
Otter	M31	<b>G31</b>

### Double Cut

Canvas	M2210	<b>G2210</b>
Pearl Gray	M2220	<b>G2220</b>
Cashmere	M2211	<b>G2211</b>
Charcoal	M964	<b>G964</b>

### HERITAGE COLLECTION

Heritage Collection consists of popular mainstays of the Nucraft veneer collection preserved from our previous offering.

Natural Maple	M60	<b>G60</b>
Natural Walnut	M25	<b>G25</b>
Castano Walnut	M37	<b>G37</b>
Cordovan Cherry	M99	<b>G99</b>
CoCo Cherry	M96	<b>G96</b>

### PREMIUM\*\*

#### Quartered Figured Anigre

Roux	M11	<b>G11</b>
Truffle	M12	<b>G12</b>
Velvet	M18	<b>G18</b>

#### Black Limba

Morel	M73	<b>G73</b>
Sable	M71	<b>G71</b>

#### Tropical Olive

Tropical Olive	M74	<b>G74</b>
----------------	-----	------------

\*\*Please refer to specific product lines for application restrictions.

## STONE TOPS\*\*\*

### Stone

Gascogne Blue Honed Granite	ST02
Absolute Black Honed Granite	ST01

### Quartz | Caesarstone

Pure White	ST04
Blizzard	ST07
Linen	ST05
Concrete	ST08
Raven	ST06

### Quartz | Zodiaq

Bianco Carrara	ST03
----------------	------

\*\*\*Available only on select Occasional Tables and Flow. Stone orders may affect lead times. Please contact customer care for details.

### PAINTS

	Gloss	High Gloss†
Cloud	S8004	HS8004
Oyster	-	HS8003
Moonlight	S87	HS87
Burnished	S88	-
Limelight††	S89	-
Peacock††	S86	-
Cayenne††	S84	-
Punch††	S83	-
Paint to Match‡		

†High Gloss paint only available on vertical applications and select Occasional Tables.

††Only available on Emme.

‡Paint sample must be matched and approved prior to order.

### LAMINATES

	Code	Matching Wood Finish	Suggested ABS Edgeband Coordinate
<b>Wood Grain Laminates§</b>			
Formica White Ash	8841-58	M8841	R02, R01
Formica Natural Ash	8843-58	M8843	R02
Formica Aged Ash	8844-58	M8844	R04
Formica Weathered Ash	8842-58	M8842	R05
Formica Oiled Legno	8846-58	M8846	R05
Formica Bleached Legno	8845-58	M8845	R04
Formica Jarrah Legno	8847-58	M8847	R05
Formica Blackened Legno	8848-58	M8848	R05

§Wood grained laminates are not available on multiple piece conference tables.

#### Wood Grain Laminates Suitable for Multiple Piece Conference Tables

Formica Pecan Woodline	5883-58	M5883	R04
Formica Chestnut Woodline	5884-58	M5884	R05

#### Solid Laminates

Formica Bright White	459-58		R01
Formica Dover White	7197-58		R02
Formica Pearl	934-58		R02
Formica Graystone	464-58		R02
Formica Folkstone	927-58		R03
Formica Graphite	837-58		R03

#### Patterned Laminates

Nevamar Cool Chic	VA7002T		R02
Nevamar Serene Stardom	VA5001T		R05
Nevamar Calm Distinction	VA6001T		R05
Nevamar Easy Elegance	VA5002T		R05
Wilsonart Sheer Mesh	4876-38		R02
Wilsonart Grey Mesh	4877-38		R02
Wilsonart Pewter Mesh	4878-38		R05

# Tackzone Fabric

## KNOLLTEXTILES

Applies to Visual Boards and Tackzone

Nucraft is pleased to have partnered with KnollTextiles to offer a concise selection of standard fabrics pre-approved for use on our products, with prices that are figured into our graded-in system. We've carefully curated a selection of each of the textile's color lines to coordinate with our materials offering. However, all colorways are approved and available as standard. Please contact fabric manufacturer for sampling support.

All tackzone fabrics are applied railroaded

### KnollTextiles Beacon | W1597 | Grade A

Spotlight	1
Tusk	2
Fossil	3
Marsh	4
Saffron	5
Hotshot	6
Bonfire	7
Reef	8
Nile	9
Putty	10
Cool Gray	11
Dust	12

### KnollTextiles Reflect | W884 | Grade B

Ice	1A
Titanium	2A
Sterling*	3A
Ecru	5A
Ember	9A
Target	10A
Sharkskin	13A
Lagoon	14A

\*Default Fabric

## GRADED-IN FABRIC PROGRAM

Top quality upholstery and fabrics have been graded into the price list. We work with various distributors and now offer a larger selection of fabrics.

For a current list of graded-in manufacturers, check our website at [www.nucraft.com](http://www.nucraft.com)

NET PRICE PER YARD	N U C R A F T   G R A D E
\$0 - \$20.00	A
\$20.01 - \$35.00	B
\$35.01 - \$50.00	C
\$50.01 - \$65.00	D
\$65.01 - \$80.00	E
\$80.01 - \$95.00	F
\$95.01 - \$110.00	G
\$110.01 - \$125.00	H

For additional information on our graded-in fabrics program, please go to [www.nucraft.com](http://www.nucraft.com).

# Upholstery Fabric

Applies to Benches, Pedestal Cushions

Nucraft is pleased to have partnered with KnollTextiles, Spinneybeck, and UltraFabrics to offer a concise selection of standard upholstery fabrics pre-approved for use on our products, with prices that are figured into our graded-in system. We've carefully curated a selection of each of the textile's color lines to coordinate with our materials offering. However, all colorways are approved and available as standard. Please contact fabric manufacturer for sampling support.

\*In addition to being available on all of our bench and pedestal cushion applications, the starred upholstery fabrics are approved for tackzone application on Nucraft products.

## Knoll Felt\* | K1207 | Grade C

Ivory	1
Apple	3
Canary	5
Poppy	7
Cadet	11
Mocha	15
Pewter	17
Tar	20

## Knoll Hopsack\* | K1206 | Grade C

Buff	1
Stucco	2
Lime	4
Magenta	9
Red	10
Admiral	11
Putty	13
Black	16

## Knoll Hourglass\* | K1523 | Grade A

Gull	2
Sandbar	3
Flax	5
Beeswax	6
Sizzle	9
Tart	11
Bluebird	13
Spring	16
Bark	21
Misty	24
Alley	27

## Spinneybeck Volo | VO | Grade F

Lichen	902
Rust	905
Talc	939
Mauve Beige	954
Oatmeal	957
Parchment	960
Petroglyph	962
Tuscany	963
Casablanca	975
Dromedary	977
Black	BLCK

## Spinneybeck Vincenza | VZ | Grade E

Salvi	2101
Ponte Furo	2102
Villabalzana	2108
Castello di Bellaguardia	2112
Scamozzi	2114
Peralolo	2115
Costozza	2116
Nocciola	2117
Appia Antica	2120
Cinque Terre	2122
Black	BLCK

## UltraFabrics Brisa | 303 | Grade B

French Vanilla	3866
Birch	3019
White	5747
Bone	3822
Shiitake	3022
New Sand	3946
Bark	3914
Peat	3200
Canyon	3825
Coffee Bean	3023
Black Onyx	5749

## GRADED-IN FABRIC PROGRAM

Top quality upholstery and fabrics have been graded into the price list. We work with various distributors and now offer a larger selection of fabrics. For a current list of graded-in manufacturers and additional information on our graded-in fabrics program, please go to [www.nucraft.com](http://www.nucraft.com).

NET PRICE PER YARD	NUCRAFT GRADE
\$0 - \$20.00	A
\$20.01 - \$35.00	B
\$35.01 - \$50.00	C
\$50.01 - \$65.00	D
\$65.01 - \$80.00	E
\$80.01 - \$95.00	F
\$95.01 - \$110.00	G
\$110.01 - \$125.00	H

# COM Specification

## For COM orders please include the following:

- Name of customer
- Customer's purchase order number
- Model number and quantity of piece(s) to be covered
- Specify right-way or railroad application (railroad is the default if no selection is made)
- If fabric is a stripe or pattern, specify vertical or horizontal application
- Supplier's name, material number and description

## YARDAGE ESTIMATING

All yardages in the price list are based on 54" wide plain (no match) fabric. The following is a guide for fabrics that are less than 54" wide or have a pattern match.

### Fabric Less Than 54" Wide

For 50" wide fabrics allow 10% additional fabric  
For 48" wide fabrics allow 15% additional fabric  
For 45" wide fabrics allow 20% additional fabric  
For 36" wide fabrics allow 50% additional fabric

### For Pattern Match Fabrics

3" to 14" repeat allow 15% additional fabric  
15" to 19" repeat allow 20% additional fabric  
20" to 27" repeat allow 25% additional fabric  
28" to 36" repeat allow 30% additional fabric

Nucraft may add a charge for sewing, cutting and matching unusual COM or COL materials to cover additional costs. Call customer service for pricing.

### **It is the sole responsibility of the customer to determine that the fabric is appropriate for the application in which it will be used.**

Once COM/COL is accepted, Nucraft assumes no responsibility for its overall appearance, flammability, normal durability, color fastness or any other quality after upholstered on a Nucraft product beyond our normal quality standards.

The fabric should be sent to the following address:

Nucraft Furniture Company  
5151 West River Drive  
Comstock Park, MI 49321  
Attn: Order Processing

## FIRE RESISTANCE

All Nucraft benches incorporating upholstery fabrics meet California Technical Bulletin 116/117 and BIFMA X5.7 - Voluntary Upholstered Furniture Flammability Standard for Non-Residential, Non-Live-In Occupancies.

## COM LEATHER SPECIFICS

The following is a guide for specifying leather requirements. The guide is based on the following general information.

A full "domestic" hide is approximately 50-60 square feet. A specialty or calf hide is approximately 35 square feet. Of this footage there are various non-usable areas included in the hide's size. Conversion of fabric yardage to leather is approximately 1 yard = 18 square feet.

### Bench Requirements

48" benches will require 1/2 domestic hide or 1 full calf hide.

60" benches will require 1 domestic hide or 2 calf hides.

72" benches will require approximately 1 full domestic hide or 3 calf hides.

The boxing around the seat, if required, will have 4-6 seams that will be placed aesthetically based on the yield and usable remains of the hides.

# Specification Tools

## Computer Aided Planning

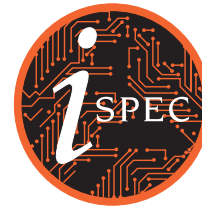
Nucraft products and pricing are available on CD via CAP (Computer Aided Planning), a product of 20 20 Technologies.

Cap Studio is an integrated software system developed specifically for interior designers and facility planners to enhance workplace performance. This modern suite of applications works together seamlessly, in concert. Navigate catalogs, select products, design in plan view and 3D, assign options, create worksheets and build a project where you want, when you want. Take your pick. It's dynamic and interactive. Design projects are a work in progress. And now you can perform any of the many discrete tasks that go into a project any time, any place.

For additional information you may contact 20 20 direct at 800-227-0038.

## iSpec®

Nucraft offers a free online product configuration and specification service that saves you time and allows you to be creative while leaving the nuts and bolts to someone else. No specific software is required, nor is there any learning curve. This service applies to all Nucraft products. For additional information, call 1-877-NUCRAFT and ask for the iSpec Team or log on to [www.nucraft.com/ispec](http://www.nucraft.com/ispec).



# Environmental Statement

## Environmental Options

Nucraft is committed to supporting responsible environmental policies and practices in all that we do. We strive for sustainability, weighing our business decisions against the costs to the ecological, social and economic systems they affect.

Our products are manufactured to meet one or more of the following credit requirements of the U.S. Green Building Council's LEED rating systems:

### Recycled Content

LEED Credit MR 4.1

Requirement: The sum of post-consumer recycled content plus 1/2 (one-half) of the pre-consumer content shall constitute at least 10% of the product (by weight).

LEED Credit MR 4.2

Requirement: The sum of post-consumer recycled content plus 1/2 (one-half) of the pre-consumer content shall constitute at least 20% of the product (by weight).

All standard Nucraft products consist of a high percentage of recycled content that far exceed the LEED requirements and vary by product line. For exact percentages, download the Environmental Statements for each respective product line at [www.nucraft.com](http://www.nucraft.com).

### Rapidly Renewable Materials

LEED Credit MR 6

Requirement: Products shall consist of at least 5% (by weight) of materials made from plants that are typically harvested within a 10-year or shorter cycle.

Nucraft offers all wood products with an optional Rapidly Renewable construction to meet the LEED requirement for Rapidly Renewable content. Contact Nucraft Customer Service for details on how to order products with this construction. For exact percentages of Rapidly Renewable content by product line, download the Environmental Statements for each respective product line at [www.nucraft.com](http://www.nucraft.com).

### Certified Wood

LEED Credit MR 7

Requirement: Products shall consist of at least 50% (by weight) of materials that are certified in accordance with the Forest Stewardship Council's Principles and Criteria.

Nucraft is a Forest Stewardship Council (FSC)-certified manufacturing facility and offers all wood products with an optional FSC-certified construction to meet the LEED requirement for Certified Wood. Contact Nucraft Customer Service for details on how to order products with this construction. For exact percentages of Certified Wood by product line, download the Environmental Statements for each respective product line at [www.nucraft.com](http://www.nucraft.com).

### Low-Emitting Materials - Systems Furniture and Seating

LEED Credit EQ 4.5

Requirement: All systems furniture and seating that was manufactured, refurbished or refinished within one year prior to occupancy must meet the ANSI/BIFMA M7.1-2007 and ANSI/BIFMA X7.1-2007.

All Nucraft conference tables, training tables, and Aerial casegoods satisfy LEED Credit EQ 4.5 as they have been certified to the stringent ANSI/BIFMA X7.1-2007 Furniture Emissions Standard.

# Merino Collection Planning Guide

---

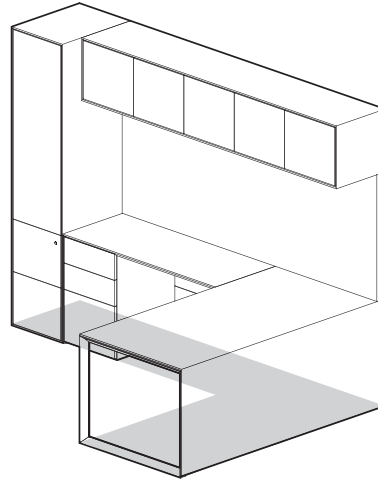
# Create a Layout.

There are four primary types of Merino Collection workstation configurations: L-Shape, U-Shape, Freestanding, and T-Shape. The specification process is outlined in the following Pages with additional detail devoted to components.

## L-Shape Configurations

### Step 1. Select a Configuration

It's important to first choose the type of L-shape configuration. The L-shape configuration can consist of a Single Pedestal Desk with a Return (shown to the right) or a Side Credenza with a Run-Off Desk.

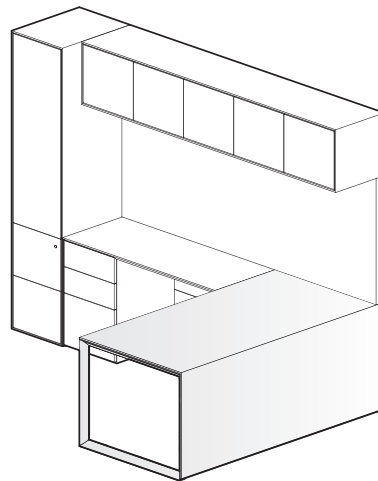


### Step 2. Select the Desk

Once you've determined which type of L-Shape configuration will serve as the basis of your Merino Collection workstation, you're ready to specify your first individual component: The Desk.

For the L-Shape configuration with a Single Pedestal Desk (shown to the right) select the worksurface size, support options (a Corner Support MUST be specified as one of the options) and the modesty panel option.

For the L-Shape configuration with a Side Credenza and Run-Off Desk, specify the Run-Off Desk size, Support, and Modesty panel. (Standard Run-Off Desks are only available with the Metal Bevel Leg Support and Half-high Modesty Panel)



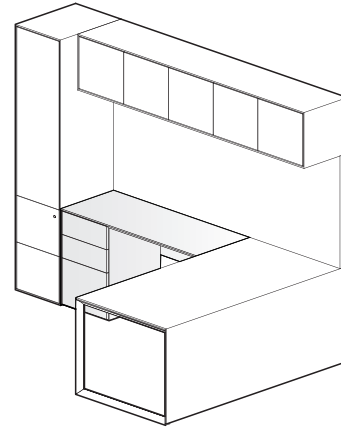


### Step 3. Select a Credenza or Return

You'll next choose a Credenza or Return.

For Single Pedestal Desk applications (shown to the right) you'll next choose a return. The return connects to the Single Pedestal Desk. You'll need to specify the support(s) for the other side of the return and the appropriate size Access Panel. The support(s) and Access Panel should fill the space below the Return.

For Run-Off Desk applications you'll select a side credenza. Specify the desired size worksurface, the supports for each end of the Credenza and an Access Panel. The support(s) and Access Panel should fill the space below the Credenza worksurface. A corner support must be selected to support the end of the Credenza where the Run-Off Desk will be located.

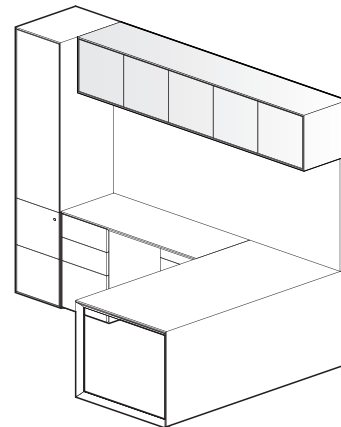


### Step 4. Select the Overhead Unit (optional)

Merino Collection offers two types of Overheads: Stanchion-Mounted and Wall-Mounted. Stanchion-Mounted overheads create a freestanding application that does not rely on support from the wall when installed.

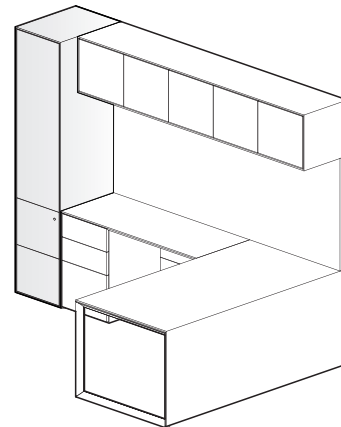
The Overhead mounts above the Side Credenza or Single Pedestal Desk and Return Combination (shown to the right). The length must be equal-length to the surface combination below.

Once the Overhead is selected, choose a Tackboard (Optional on Wall-Mounted Overheads). Tackboard length must be equal to overhead length.



### Step 5. Select Towers (optional)

Available in two heights and multiple widths Merino Towers offer additional storage options.



### Step 6. Select Tables, Additional Storage, and Accessories

Complete the office layout with X-base meeting tables, Mobile Pedestals, Bookcases, Freestanding Lateral Files, and other accessories.

# Create a Layout.

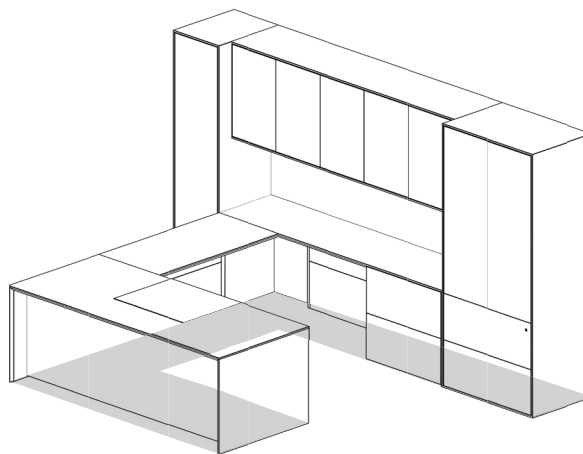
## U-Shape Configurations

### Step 1. Select a Configuration

It's important to first choose the type of U-shape configuration that will best suit the end user's requirements: Side U-shape or Back U-shape.

The Side U-shape configuration consists of a Side Credenza, Run-Off Desk, and Run-Off Back Credenza.

The Back U-shape configuration consists of a Single Pedestal Desk, Bridge, and Back Credenza (shown to the right).

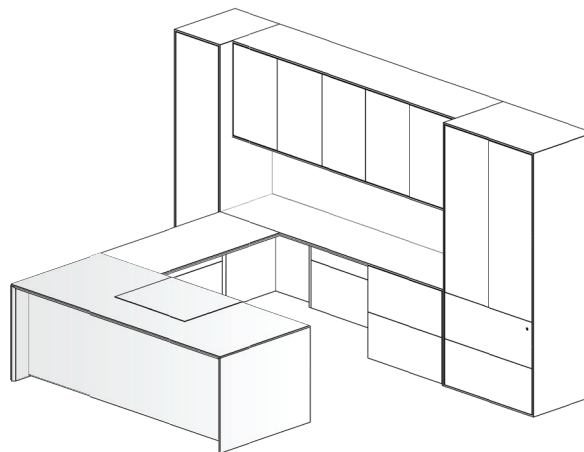


### Step 2. Select the Desk

Once you've determined which type of U-Shape configuration will serve as the basis of your Merino Collection workstation, you're ready to specify your first individual component: The Desk.

For the Side U-shape configuration with a Side Credenza and Run-Off Desk, specify the Run-Off Desk size, Support, and Modesty panel. (Standard Run-Off Desks are only available with the Metal Bevel Leg Support and Half-high Modesty Panel)

For the Back U-shape configuration with a Single Pedestal Desk and Back Credenza (shown to the right) select the worksurface size, support options (a Corner Support MUST be specified as one of the options) and the modesty panel option.

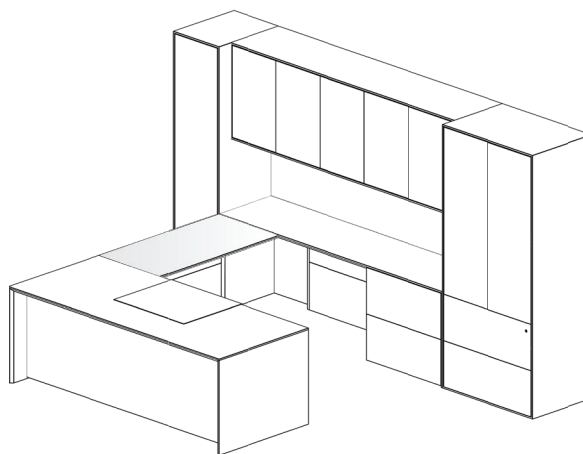


### Step 3. Select the Bridge or Run-Off Credenza

Next you can specify a Bridge or Side Credenza, depending on which type of U-Shape configuration you've selected.

For the side U-shape configuration you'll specify the Run-Off Back credenza next, which is supported on one end by the side Credenza. Select the worksurface size, the support(s) for the unsupported end and an Access Panel. The support(s) and Access Panel should fill the space below the credenza worksurface.

For the back U-shape configuration (shown to the right) you'll next specify a Bridge. The Bridge is positioned between the Single Pedestal Desk and Back Credenza. Specify Bridge size and Access Panel for under the Bridge. The size of the Access Panel Must match the size of the Bridge.



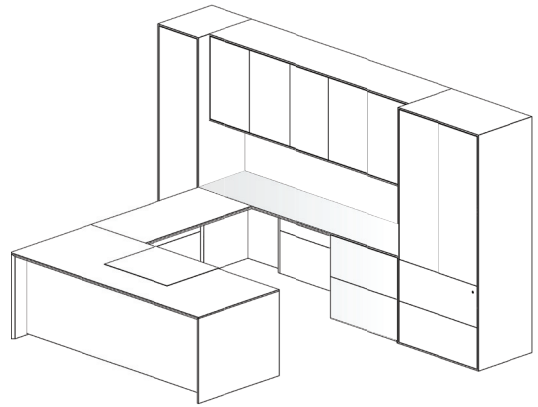
## Step 4. Select the Final Credenza

Next you can specify a Side Credenza or Back Credenza, depending on which type of U-Shape configuration you've selected.

The side U-shape configuration features a Side Credenza, which supports one end of the Run-Off Desk and Run-Off Back Credenza.

The back U-shape configuration features a Back Credenza, which supports one end of the Bridge (shown above).

For both, choose the desired size worksurface, the supports for each end of the Credenza and an Access Panel. The support(s) and Access Panel should fill the space below the Credenza worksurface. A corner support must be selected to support the end(s) of the Credenza that will support the Run-Off Desk, Run-Off Back Credenza, or Bridge.

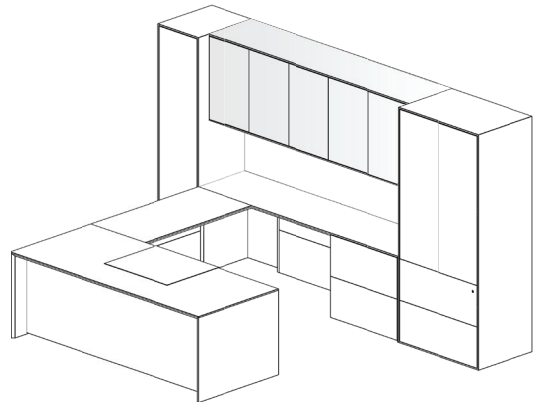


## Step 5. Select the Overhead Unit

Merino offers two types of Overheads: Stanchion-Mounted and Wall-Mounted. Stanchion-Mounted overheads create a freestanding application that does not rely on support from the wall when installed.

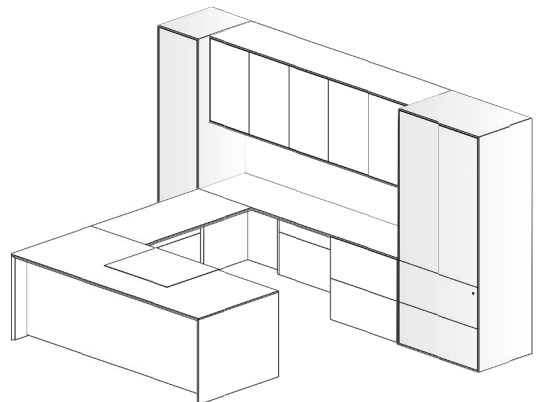
The Overhead mounts above the Side Credenza or Back Credenza. The length must be equal-length to the surface combination below.

Once the Overhead is selected, choose a Tackboard (Optional on Wall-Mounted Overheads). Tackboard length must be equal to overhead length.



## Step 6. Select Towers (optional)

Available in two heights and multiple widths Merino Towers offer additional storage options.



## Step 7. Select Tables, Additional Storage, and Accessories

Complete the office layout with X-base meeting tables, Mobile Pedestals, Bookcases, Freestanding Lateral Files, and other accessories.

# Create a Layout.

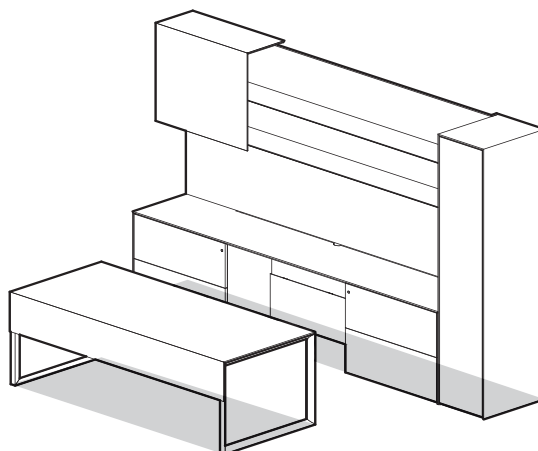
## Freestanding Configurations

### Step 1. Select a Configuration

It's important to first choose the type of Freestanding configuration that will best suit the end user's requirements.

A Freestanding configuration consists of a Freestanding Desk, Freestanding Credenza, and an optional Overhead Unit and Tower.

Merino provides a few options for selecting a desk including Signature Freestanding, Freestanding, and an Ellipse Table Desk.



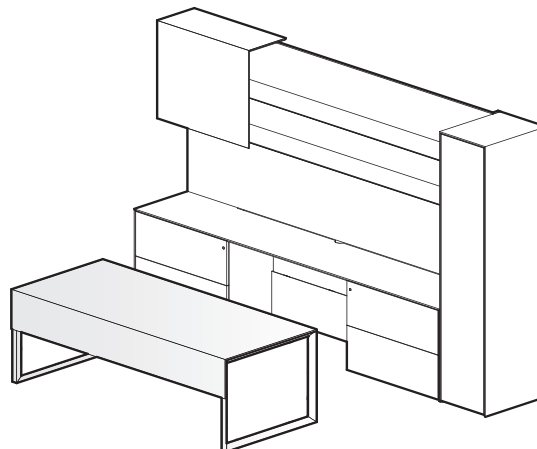
### Step 2. Select the Desk

Once you've determined which type of Freestanding configuration will serve as the basis of your Merino Collection workstation, you're ready to specify your first individual component: The Desk.

The Signature Freestanding Desk is available in limited sizes and provides an easy way to specify the signature Merino Options like Leather Power Blotter, Mitered Signature Organizer Drawer, and Polished Chrome legs.

Freestanding Desks provide a larger range of sizes and options and allows features to be optioned on to the base model.

The Ellipse x-base table desk (specified in the Table Section) provides an elegant alternative to the rectangular freestanding desk.

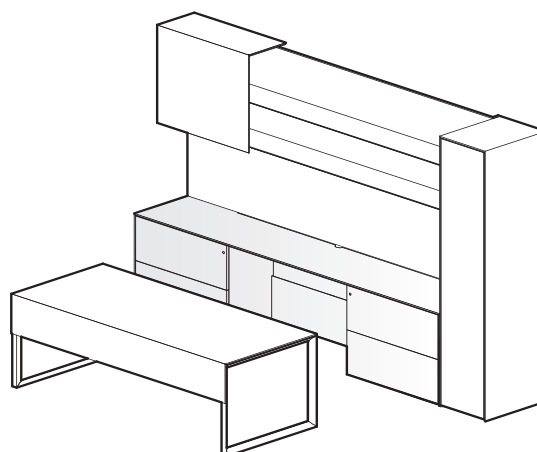


### Step 3. Select the Credenza

Next you can specify a Freestanding Credenza.

The Freestanding Credenza includes the top, individual storage components and an Access Panel.

Choose the desired size worksurface, the supports for each end of the Credenza and an Access Panel. The support(s) and Access Panel should fill the space below the Credenza worksurface.

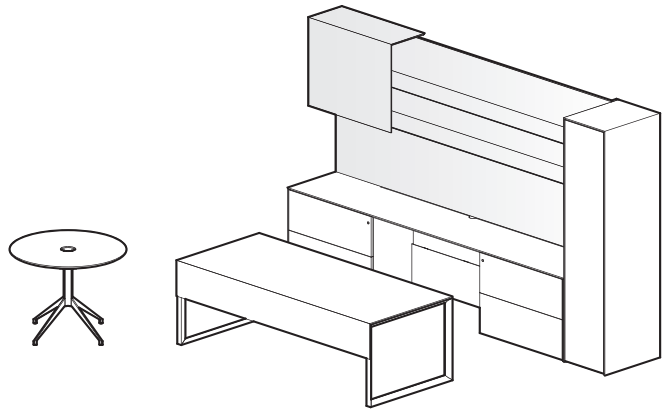


## Step 4. Select the Overhead units (optional)

Merino offers two types of Overheads: Stanchion-Mounted and Wall-Mounted. Stanchion-Mounted overheads create a freestanding application that does not rely on support from the wall when installed.

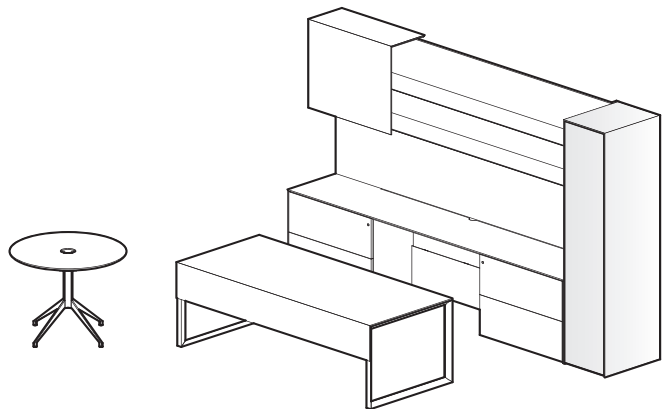
The Overhead mounts above the Freestanding Credenza. The length must be equal-length to the Credenza surface below.

Once the Overhead is selected, choose a Tackboard (Optional on Wall-Mounted Overheads). Tackboard length must be equal to overhead length.



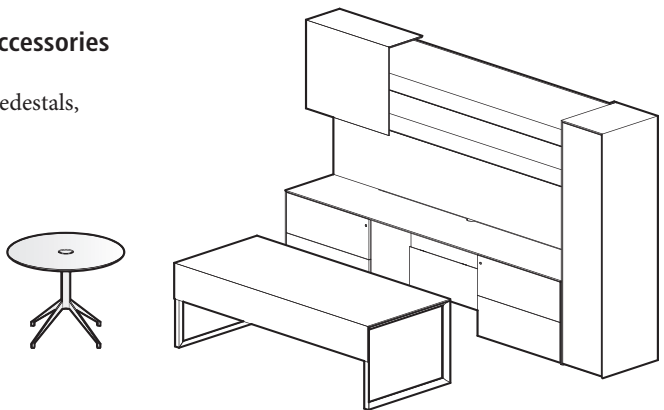
## Step 5. Select Towers (optional)

Available in two heights and multiple widths Merino Towers offer additional storage options.



## Step 6. Specify Tables, Additional Storage, and Accessories

Complete the office layout with X-base meeting tables, Mobile Pedestals, Bookcases, Freestanding Lateral Files, and other accessories.



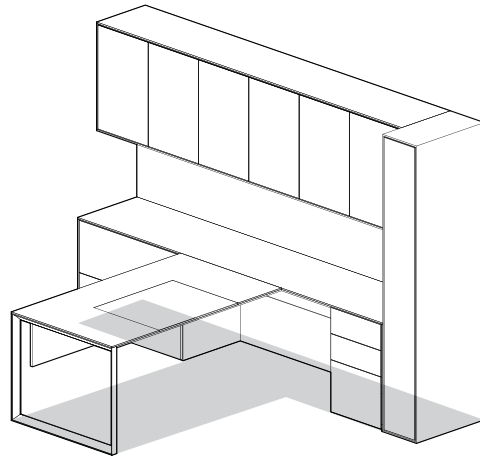
# Create a Layout.

## T-Shape Configurations

### *Step 1.* Select a Configuration

It's important to first choose the type of T-Shape configuration that will best suit the end user's requirements. Consider where the run-off worksurface should be placed and orientation of the user, this will be required to determine credenza support components in step 3.

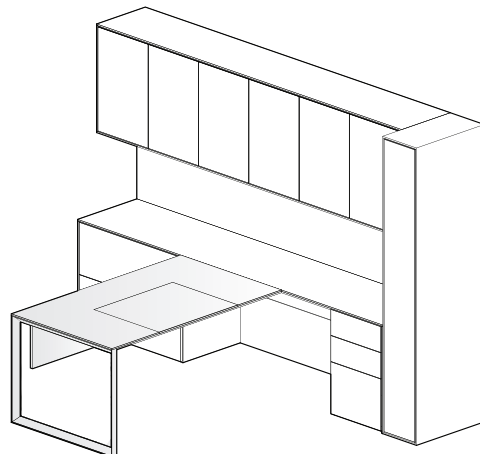
A T-Shape configuration consists of a Side Credenza with a Run-Off Desk.



### *Step 2.* Select the Desk

Once you've determined the general orientation of your T-Shape Configuration you're ready to select the desk.

The T-Shape application utilizes a Run-Off Desk, specify the Run-Off Desk size, Support, and Modesty panel. (Standard Run-Off Desks are only available with the Metal Bevel Leg Support and Half-high Modesty Panel).

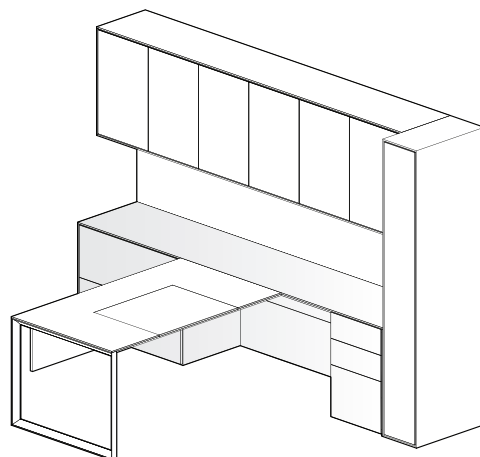


### *Step 3.* Select the Credenza Shelf

Next you can specify a Side Credenza.

The Side Credenza includes the top, individual storage components and an Access Panel.

Choose the desired size worksurface, the supports for each end of the Credenza and an Access Panel. The support(s) and Access Panel should fill the space below the Credenza worksurface. A minimum of 36" knee space is required for attaching the Run-Off Desk in a T-Shape orientation.

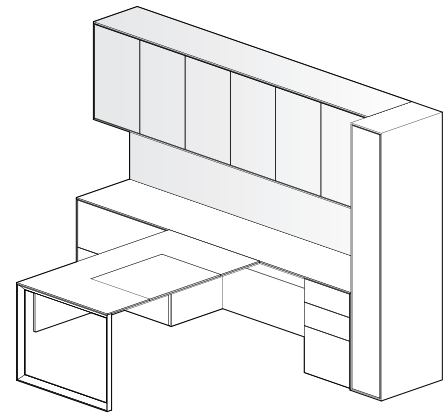


### **Step 4. Select the Overhead units (optional)**

Merino offers two types of Overheads: Stanchion-Mounted and Wall-Mounted. Stanchion-Mounted overheads create a freestanding application that does not rely on support from the wall when installed.

The Overhead mounts above the Side Credenza. The length must be equal-length to the surface below.

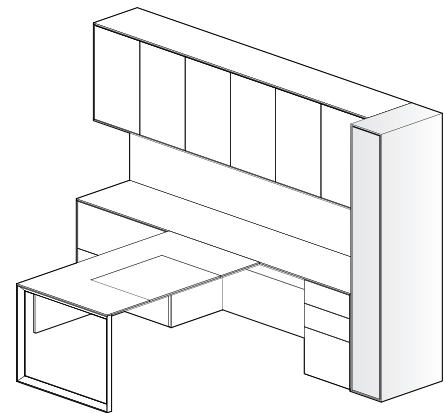
Once the Overhead is selected, choose a Tackboard (Optional on Wall-Mounted Overheads). Tackboard length must be equal to overhead length.



---

### **Step 5. Select Towers (optional)**

Available in two heights and multiple widths Merino Towers offer additional storage options.



---

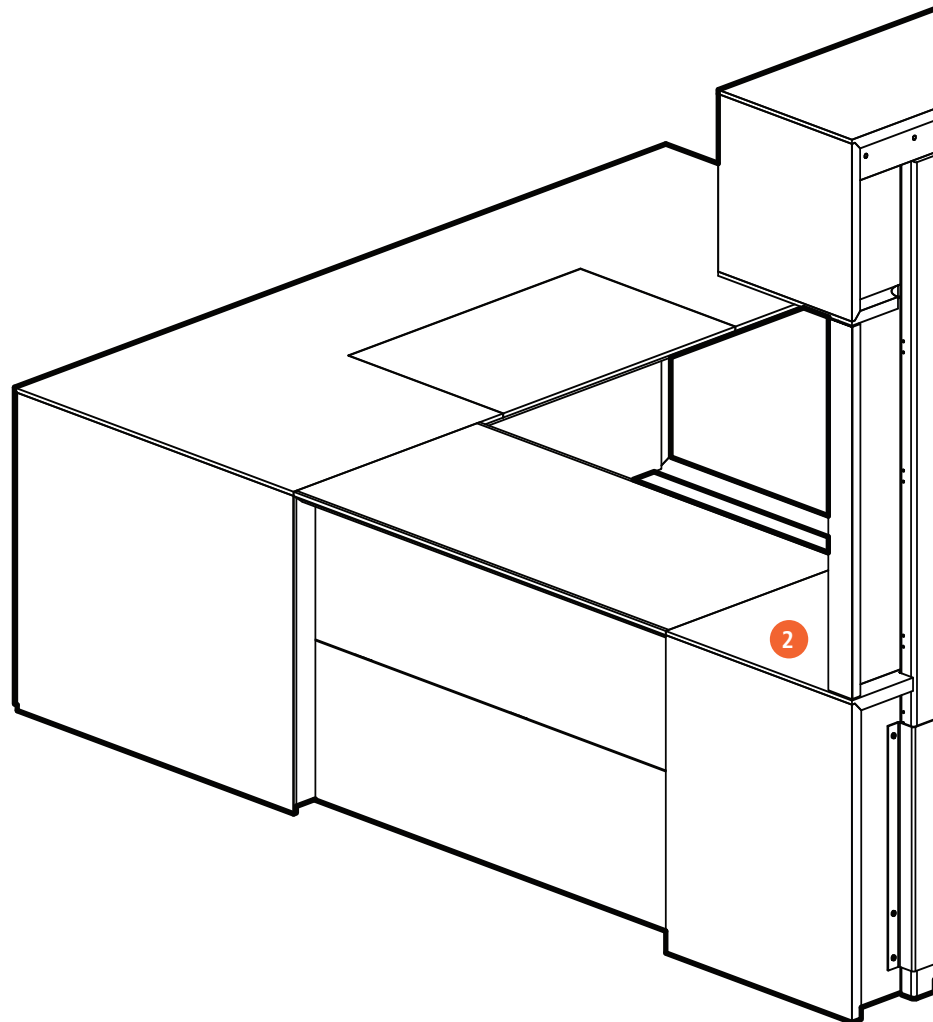
### **Step 6. Select Tables, Additional Storage, and Accessories**

Complete the office layout with X-base meeting tables, Mobile Pedestals, Bookcases, Freestanding Lateral Files, and other accessories.

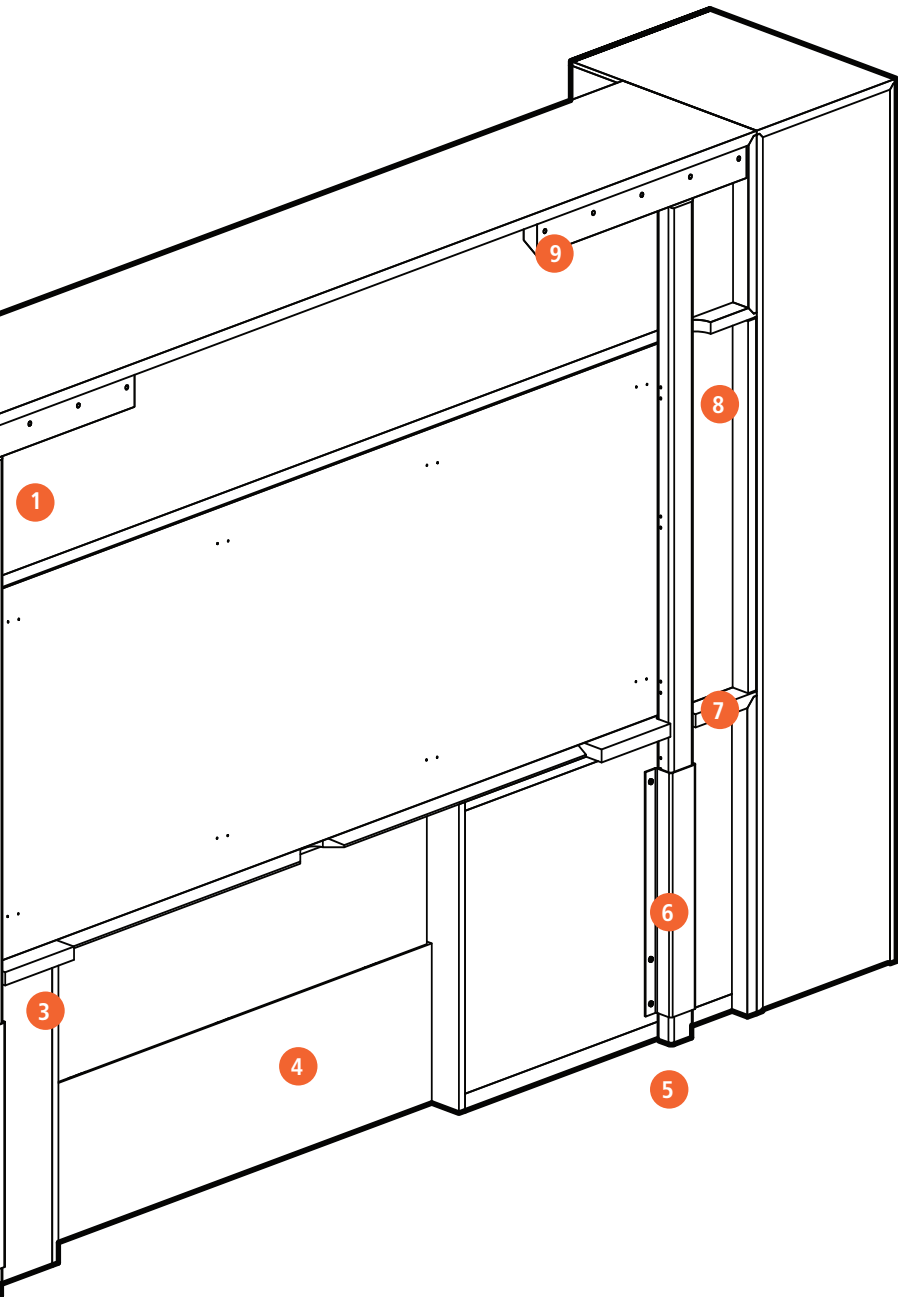
# Stanchion-Mounted Overheads.

Merino's concealed stanchion construction for its overheads eliminates the need for overhead end panels, giving overheads a light, open-ended appearance without any worksurface obstruction. The result is the clean look of wall-mounted overheads with the flexibility of freestanding casegoods.

- 1 Construction.**  
*Concealed stanchions support overheads.*
- 2 Open Ends.**  
*Stanchion construction allows open-ended worksurfaces below overheads.*
- 3 Wire Management.**  
*Half-moon openings on Merino corner supports offer additional wire-management flexibility.*
- 4 Interior Cavity.**  
*Interior cavity provides ample room for routing power and data cables.*
- 5 Stanchion Leveling.**  
*Glide allows stanchions to be leveled.*







- 6 Mounting Bracket.**  
*Stanchion mounting bracket secures stanchion to case.*
  
- 7 Leveling Score Marks.**  
*Score marks are provided on stanchions for easy leveling to the worksurface during installation.*
  
- 8 Concealed Stanchions**  
*Back Panel conceals stanchions and provides a clean, flush-to-the-wall appearance*
  
- 9 Overhead Mounting.**  
*Overheads are simply mounted to stanchions with wooden cleats.*

# Technology Accommodation

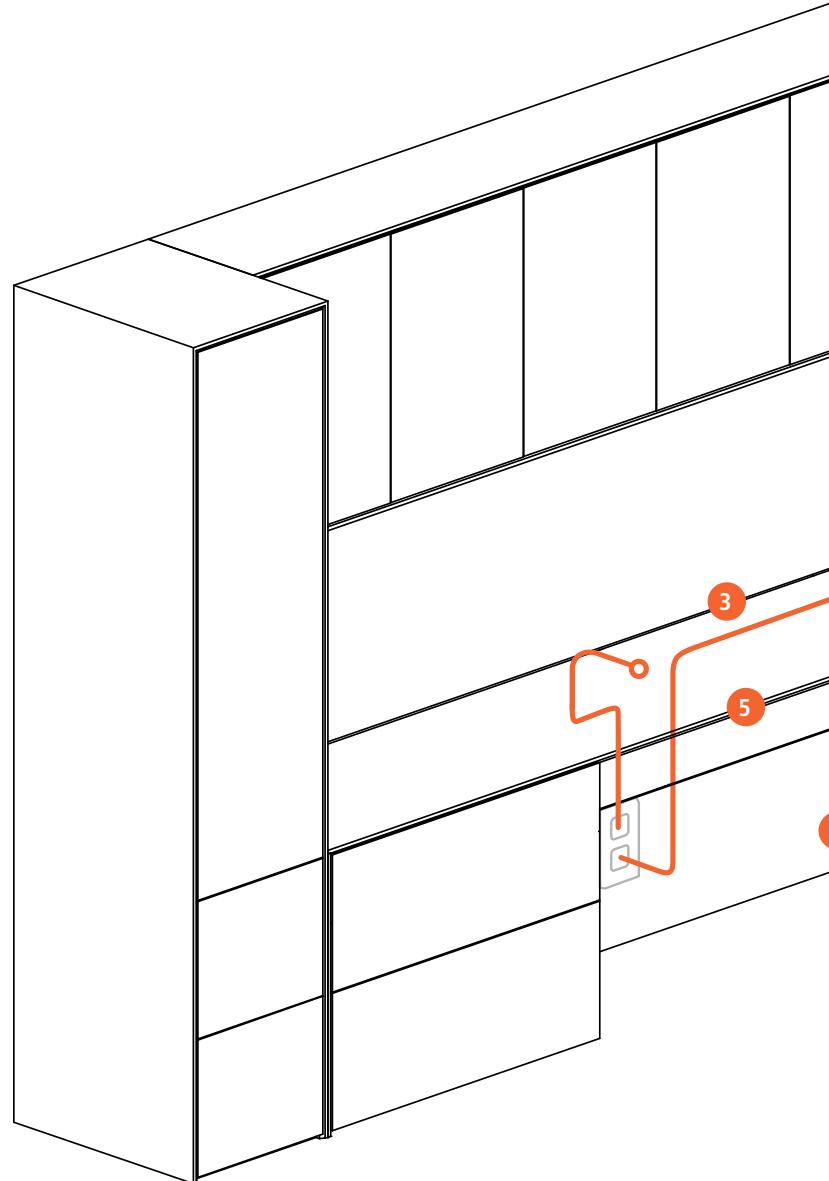
Merino provides well-planned wire-management for each component. Its standard technology accommodation offering meets most needs, and additional, scalable options are available to support even the most technology-intensive environments.

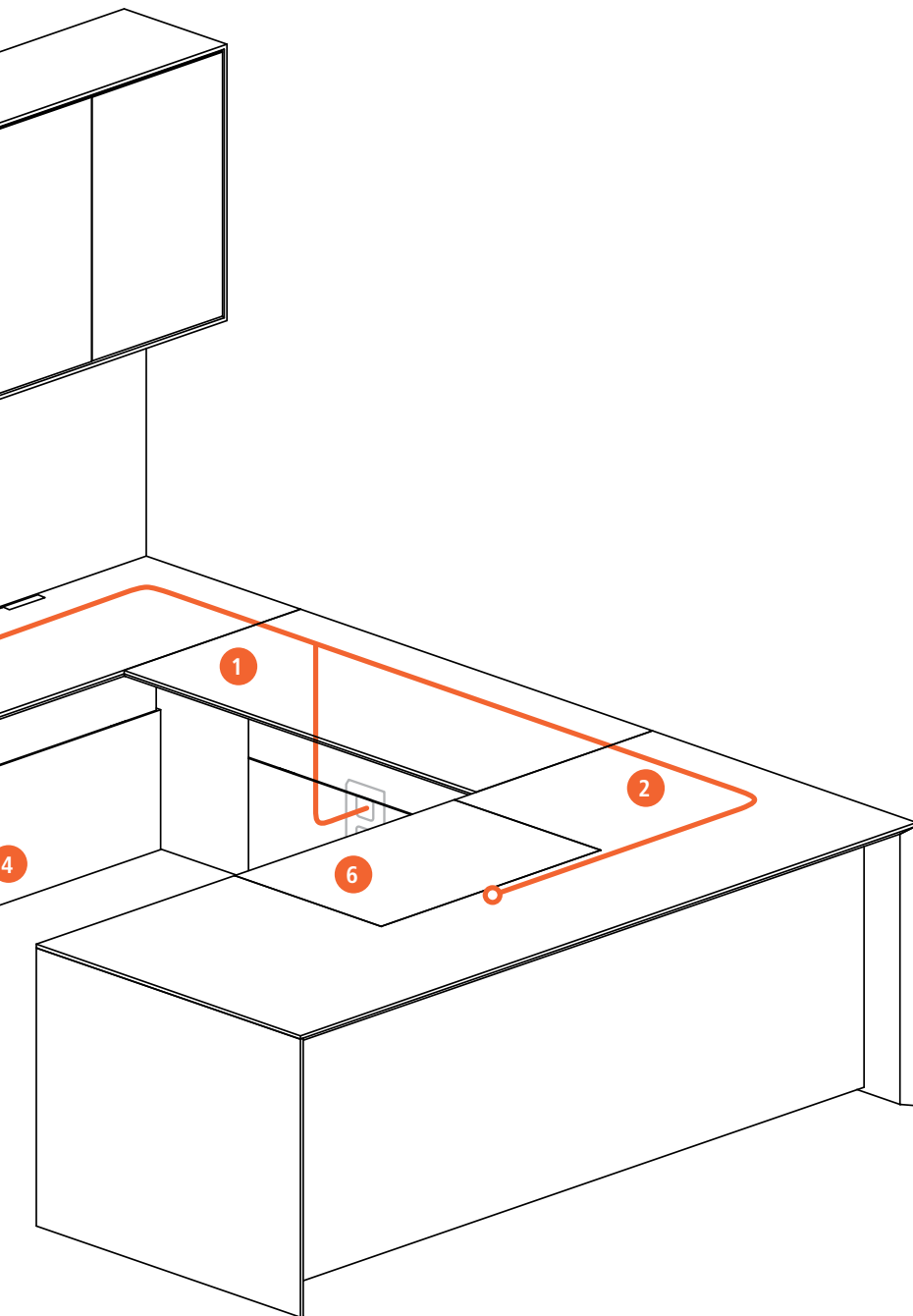
- 1 Worksurface Grommets.**  
*Grommets can be specified on the worksurfaces of desks, credenzas, bridges, and returns. Grommets can be specified in right, left, or center positions of desks, credenzas and returns, and in center position on bridges.*

- 2 J-Channel.**  
*J-Channel provides wire management beneath Merino worksurfaces.*

## Optional Technology Accommodations

**Technology Pedestal with Power Drawer and Door**  
*Wire management openings are located in the bottom of all pedestals. Opening on back of pedestal on credenzas and returns provides proper ventilation. Tech Pedestals on desks have oversized opening on user's side that allows wire management in addition to ventilation.*



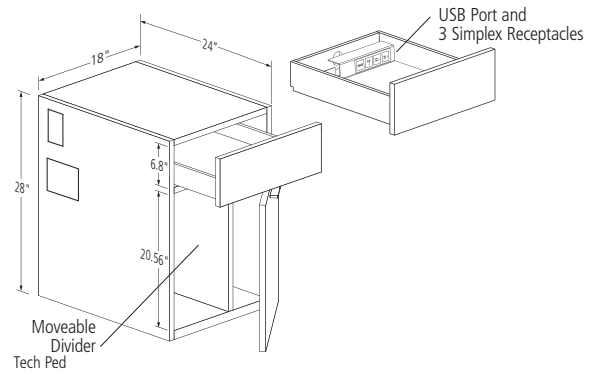


- 3 Continuous Wire Pass Through.**  
*Credenzas with Stanchion-Mounted Overheads include a continuous wire pass through in the worksurface in front of the veneer panel/tack-board. The pass-through has a larger opening on one end and extends nearly the entire length of the worksurface, allowing wire management anywhere the user requires it.*
- 4 Wire Management Cavity.**  
*The cavity behind Merino Overheads and corresponding credenzas, returns and bridges allows simple wire management.*
- 5 Access Panels.**  
*Optional flip-down wire management Access Panel is available on back credenzas, returns, and bridges.*
- 6 Leather Power Blotter.**  
*Optional on Veneer Tops, the Leather Power Blotter slides back to reveal a Power Access trough that includes 3 simplex receptacles and 1 USB.*

### Tech Pedestal with Power Drawer and Door

The Tech Pedestal provides CPU storage on one side of a moveable dividing panel, and an open section on the other side for cord/cable storage. The top drawer includes three simplex receptacles and one USB port. Grommet at the top allows easy wire management. Thermostatically controlled fan provides temperature regulation. Tech Pedestals on desks have oversized opening on user's side that allows wire management in addition to ventilation.

Note: Image to the right is for reference only, overall Pedestal dimensions are for Credenza Pedestal.



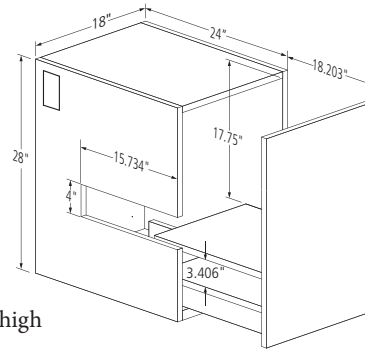
### Printer Pedestal

The Printer Pedestal accommodates most inkjet printers. The pedestal's side opening provides access to printed documents without the need to open the pedestal drawer. Grommet in top and side of pedestal provides easy wire management.

Consult Printer Pedestal dimension information to ensure that the pedestal will accommodate your printer.

Printer Tray Dimensions: 15" wide x 19" deep x 16.1875" high

Note: Image to the right is for reference only, overall Pedestal dimensions are for Credenza Pedestal.



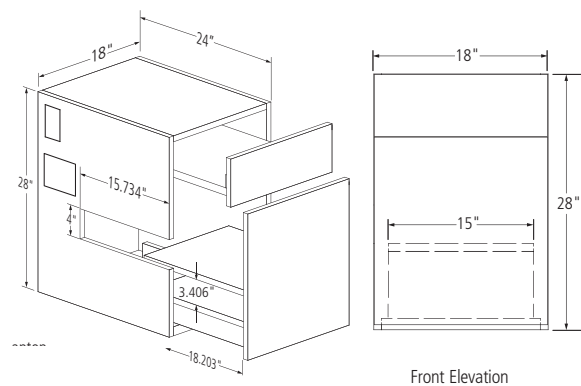
### Laptop/Printer Pedestal

The Laptop/Printer Pedestal provides laptop storage in the top drawer and accommodates most inkjet printers in the lower drawer. The laptop drawer provides convenient storage and concealment of your laptop, freeing up valuable worksurface space. The pedestal's side opening provides access to printed documents without the need to open the pedestal drawer. Grommet in top and side of pedestal provides easy wire management. Thermostatically controlled fan provides temperature regulation.

Consult Printer Pedestal dimension information to ensure that the pedestal will accommodate your printer.

Printer Tray Dimensions: 15" wide x 19" deep x 12.125" high

Note: Image to the right is for reference only, overall Pedestal dimensions are for Credenza Pedestal.

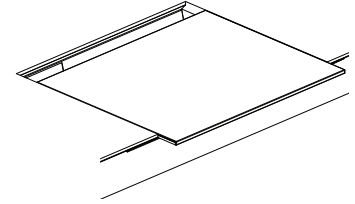


# Personalized Features

The Merino Collection offers elements of personalization and refined details that elevate the warmth and performance of an executive casegood.

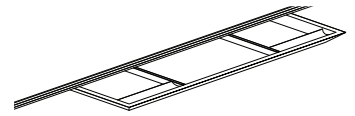
## Leather Power Blotter

The Merino Leather Power Blotter is integrated directly into the worksurface and slides back to reveal power and data access and cable management. The Leather Power Blotter is only available on wood worksurfaces. Power Access trough includes 3 simplex receptacles and 1 USB.



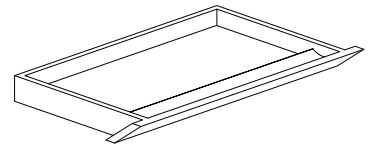
## Signature Organizer Drawer

The Merino Signature Organizer Drawer features a mitered edge construction and is leather-lined with polished chrome dividers. The organizer drawer provides an elegant place for neatly organizing personal items and technology devices. The Signature Organizer Drawer is only available on the Merino Signature Freestanding Desks and cannot be retrofitted in the field.



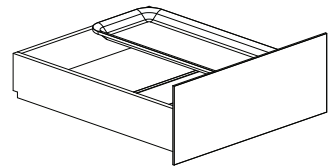
## Organizer Drawer

The Merino Organizer Drawer is leather-lined. The Organizer Drawer provides an elegant place for neatly organizing personal items and technology devices. The Organizer Drawer is suitable for all Merino worksurfaces and can be added to Merino worksurfaces in the field.



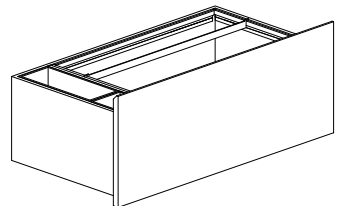
## Leather-Lined Box Drawers

Merino Box Drawers are leather lined and provide a neat way to organize and protect personal items and technology devices. All Merino Series Box Drawers include the leather liner (leather can be optioned off). The Top Box Drawer will also include a polished chrome divider and painted pencil tray.



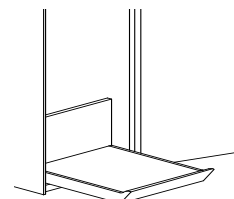
## Lateral File with Organizer Boxes

A Lateral File with Organizer Boxes provides a space to organize and store personal accessories.



## Slide-Out Shoe Tray

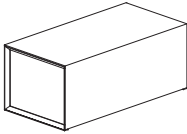
Merino 18" and 36" Wardrobe towers include a slide out shoe tray and amenities like bag hooks, personal mirror, and hanger bar to provide a home for personal bags or a change of wardrobe.

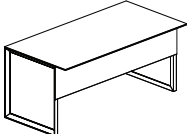


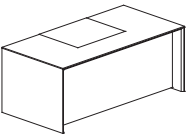
# Merino Collection Price List

---

# Signature Freestanding Desks

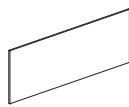
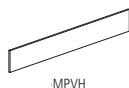
Executive Desk - Metal Bevel Legs	Model Number	Depth	Width	Description	Price		
					Glass Top w/ Signature Organizer Drawer	Veneer Top w/ Signature Organizer Drawer	Veneer Top w/ Power Blotter & Signature Organizer Drawer
					-G	-V	-VL
 <p>MCF-ML-3672</p>	<b>Rectangle Top with Metal Bevel Legs</b>						
	MCF-ML-3672	36	72	Metal Bevel Leg	8332	6389	7239
	MCF-MLV-3672	36	72	Metal Bevel Leg with Inset Veneer	8532	6589	7439
	MCF-MLP-3672	36	72	Metal Bevel Leg with Inset Paint	8532	6589	7439
	MCF-ML-3678	36	78	Metal Bevel Leg	8610	6528	7378
	MCF-MLV-3678	36	78	Metal Bevel Leg with Inset Veneer	8810	6728	7578
	MCF-MLP-3678	36	78	Metal Bevel Leg with Inset Paint	8810	6728	7578
	MCF-ML-3684	36	84	Metal Bevel Leg	8877	6661	7511
	MCF-MLV-3684	36	84	Metal Bevel Leg with Inset Veneer	9077	6861	7711
	MCF-MLP-3684	36	84	Metal Bevel Leg with Inset Paint	9077	6861	7711

Executive Desk - Metal Bevel Legs	Model Number	Depth	Width	Description	Price		
					Glass Top w/ Signature Organizer Drawer	Veneer Top w/ Signature Organizer Drawer	Veneer Top w/ Power Blotter & Signature Organizer Drawer
					-G	-V	-VL
 <p>MCF-ML-3672E</p>	<b>Rectangle Extended Top with Metal Bevel Legs</b>						
	MCF-ML-3672E	36	72	Metal Bevel Leg	8332	6389	7239
	MCF-MLV-3672E	36	72	Metal Bevel Leg with Inset Veneer	8532	6589	7439
	MCF-MLP-3672E	36	72	Metal Bevel Leg with Inset Paint	8532	6589	7439
	MCF-ML-3678E	36	78	Metal Bevel Leg	8610	6528	7378
	MCF-MLV-3678E	36	78	Metal Bevel Leg with Inset Veneer	8810	6728	7578
	MCF-MLP-3678E	36	78	Metal Bevel Leg with Inset Paint	8810	6728	7578
	MCF-ML-3684E	36	84	Metal Bevel Leg	8877	6661	7511
	MCF-MLV-3684E	36	84	Metal Bevel Leg with Inset Veneer	9077	6861	7711
	MCF-MLP-3684E	36	84	Metal Bevel Leg with Inset Paint	9077	6861	7711
	MCF-ML-4284E	42	84	Metal Bevel Leg	9033	6778	7643
	MCF-MLV-4284E	42	84	Metal Bevel Leg with Inset Veneer	9236	6981	7846
	MCF-MLP-4284E	42	84	Metal Bevel Leg with Inset Paint	9236	6981	7846

Executive Desk - Wood Panel Legs	Model Number	Depth	Width	Description	Price	
					Veneer Top w/ Signature Organizer Drawer	Veneer Top w/ Power Blotter & Signature Organizer Drawer
					-V	-VL
 <p>MCF-PL-3672</p>	<b>Rectangle Top with Wood Panel Legs</b>					
	MCF-PL-3672	36	72		3953	4803
	MCF-PL-3678	36	78		4092	4942
	MCF-PL-3684	36	84		4225	5075

# Signature Freestanding Desks

## General Information & Options



### Options:

#### Modesty Panel (must specify)

- Veneer Half Modesty Panel	-MPVH	\$674	(for Veneer top only)
- Glass Half Modesty Panel	-MPGH	\$1,348	(for Glass top only)
- Veneer Full Modesty Panel	-MPVF	\$806	(for Veneer top only)
- Glass Full Modesty Panel	-MPGF	\$1,613	(for glass top only)
- Painted Half Modesty Panel	-MPPH	\$621	(for Wood Panel legs only)
- Painted Full Modesty Panel	-MPPF	\$684	(for Wood Panel legs only)

#### Merino Round Grommet (Not available with Power Blotter)

- Left	-MCGL	\$125	
- Right	-MCGR	\$125	
- Center	-MCGC	\$125	
- Left & Right	-MCG2	\$249	

<b>Polished Chrome Grommets</b>	-PCG	\$50	(Upcharge per Grommet)
---------------------------------	------	------	------------------------

<b>Chicago Power for Power Blotter</b>	-CHLB	No charge	
--	-------	-----------	--

#### REQUIRED INFORMATION: (ORDER CANNOT BE ENTERED WITHOUT THIS INFORMATION)


- Choose Wood Species & Finish: See page 8. (Available in Qtr Ash, Qtr Cherry, Rift Cut Oak, Qtr Walnut, Double Cut. Grain runs Horizontal)
- Choose Glass Finish if applicable: Back-painted Satin or Gloss in White (WS,WG), Meringue (MS,MG), Quill (QS,QG), or Clove (VS,VG)
- Choose Paint Color if applicable: See page 8.
- Choose Metal Finish if applicable: Cloud (A8004), Burnished (A8009), Foil (A8006), Shadow (A8005), or Galaxy (A8007).
- Choose Leather Finish if applicable: See Page 12: Choose Spinneybeck Vincenza or Spinneybeck Volo colors from page 12. (If not specified default is Spinneybeck Vincenza 2122 Cinque Terre)

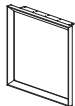
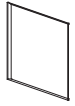

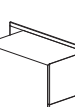
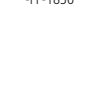



#### General Information:

- Grain direction runs horizontal, waterfall modesty panels are grain-matched to worksurface.
- Modesty Panel must be specified on Signature Freestanding Desks.
- Wood Panel leg desk is available with full modesty panel option only, modesty panel is inset.
- Power Blotter is only available on Veneer Tops 72" and greater in width; Blotter is 28" wide x 23-1/2" deep; Power access trough includes 3 simplex receptacles and 1 USB; Interior dimensions - 28" long x 4" wide x 2 1/2" deep
- Freestanding desks with Leather Power Blotter will require access to outlets in a floor monument to power the blotter.
- Cable management is included when power Blotter is specified.
- Grommet only available on wood and glass. Cable management included when grommet is specified.
- Signature Desks include the Merino Signature organizer drawer. Drawer matches Veneer finish on Veneer worksurface. Drawer is white on glass worksurfaces.
- Merino Signature Organizer Drawer is leather-lined and includes polished dividers. Leather Finish MUST be specified.
- Metal Bevel Legs on the Signature Freestanding Desks are Polished Chrome. For painted legs, specify painted metal leg option.
- Extended top desks with Metal Bevel Leg has a 6" overhanging top with inset modesty. 36" desk will have 30" legs, 42" desk will have 36" legs.
- Sub-top on Glass worksurfaces and modesty panels will be painted to best match back-painted glass color.



# Freestanding Desks

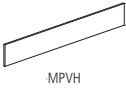
Worksurface	Model Number	Depth	Width	Price		
				Veneer -V	Glass -G	
 MCD-T-3072	<b>Rectangle</b>					
	MCF-T-3060	30	60	1406	2811	
	MCF-T-3066	30	66	1533	3066	
	MCF-T-3072	30	72	1657	3314	
	MCF-T-3078	30	78	1778	3555	
	MCF-T-3084	30	84	1896	3793	
	MCF-T-3660	36	60	1657	3314	
	MCF-T-3666	36	66	1802	3604	
	MCF-T-3672	36	72	1943	3886	
	MCF-T-3678	36	78	2082	4164	
	MCF-T-3684	36	84	2215	4431	
	<b>Rectangle Extended Top</b>					
	MCF-T-3660E	36	60	1657	3314	
	MCF-T-3666E	36	66	1802	3604	
	MCF-T-3672E	36	72	1943	3886	
MCF-T-3678E	36	78	2082	4164		
MCF-T-3684E	36	84	2215	4431		

Support Options (must specify left and right)	Model Number	W x D x H	Description	Veneer Case/ Paint Front		All Veneer	
				-VS	-V		
 -ML-30  -MLV-30  -MLP-30  -MPL-30  -BBF-1830  -LP-1830  -PP-1830  -PD-1830  -BBF-1836  -FF-1836  -LBF-1836  -LP-1836  -PP-1836  -PD-1836	-ML-30 [ ]	2 x 30 x 28	Metal Bevel Leg	798	-	-	
	-MLV-30 [ ]	2 x 30 x 28	Metal Bevel Leg with Inset Veneer	898	-	-	
	-MLP-30 [ ]	2 x 30 x 28	Metal Bevel Leg with Inset Paint	898	-	-	
	-ML-36 [ ]	2 x 36 x 28	Metal Bevel Leg	898	-	-	
	-MLV-36 [ ]	2 x 36 x 28	Metal Bevel Leg with Inset Veneer	998	-	-	
	-MLP-36 [ ]	2 x 36 x 28	Metal Bevel Leg with Inset Paint	998	-	-	
	-MPL-30 [ ]	2 x 30 x 28	Wood Panel Leg	-	-	546	
	-MPL-36 [ ]	2 x 36 x 28	Wood Panel Leg	-	-	580	
	<b>Merino Series</b>						
	-BBF-1630 [ ]	16 x 30 x 28	Box/Box/File		2277		2277
	-FF-1630 [ ]	16 x 30 x 28	File/File		2277		2277
	-BBF-1636 [ ]	16 x 36 x 28	Box/Box/File		2340		2340
	-FF-1636 [ ]	16 x 36 x 28	File/File		2340		2340
	-BBF-1830 [ ]	18 x 30 x 28	Box/Box/File		2504		2504
	-FF-1830 [ ]	18 x 30 x 28	File/File		2504		2504
-LBF-1830 [ ]	18 x 30 x 28	Laptop/Box/File		2628		2628	
-LP-1830 [ ]	18 x 30 x 28	Laptop/Printer Pedestal		3255		3255	
-PP-1830 [ ]	18 x 30 x 28	Printer Pedestal		2979		2979	
-PD-1830 [ ]	18 x 30 x 28	Tech Pedestal, Power Drawer w/ Door		2428		2428	
-BBF-1836 [ ]	18 x 36 x 28	Box/Box/File		2574		2574	
-FF-1836 [ ]	18 x 36 x 28	File/File		2574		2574	
-LBF-1836 [ ]	18 x 36 x 28	Laptop/Box/File		2702		2702	
-LP-1836 [ ]	18 x 36 x 28	Laptop/Printer Pedestal		3346		3346	
-PP-1836 [ ]	18 x 36 x 28	Printer Pedestal		3062		3062	
-PD-1836 [ ]	18 x 36 x 28	Tech Pedestal, Power Drawer w/ Door		2496		2496	
<b>Conventional Series</b>							
-CBBF-1830 [ ]	18 x 30 x 28	Box/Box/File		2003		2003	
-CFF-1830 [ ]	18 x 30 x 28	File/File		2003		2003	
-CLBF-1830 [ ]	18 x 30 x 28	Laptop/Box/File		2104		2104	
-CBBF-1836 [ ]	18 x 36 x 28	Box/Box/File		2059		2059	
-CFF-1836 [ ]	18 x 36 x 28	File/File		2059		2059	
-CLBF-1836 [ ]	18 x 36 x 28	Laptop/Box/File		2163		2163	

[ ] Specify Left (-L) and Right (-R) support

# Freestanding Desks

## General Information & Options



MPVH



MPMF



-AP



-IP



-LB

### Options:

#### Modesty Panel (must specify)

- Veneer Half Modesty Panel	-MPVH	\$674	(for Veneer top only)
- Glass Half Modesty Panel	-MPGH	\$1,348	(for Glass top only)
- Veneer Full Modesty Panel	-MPVF	\$806	(for Veneer top only)
- Glass Full Modesty Panel	-MPGF	\$1,613	(for glass top only)
- Painted Half Modesty Panel	-MPPH	\$621	(for Wood Panel legs only)
- Painted Full Modesty Panel	-MPPF	\$684	(for Wood Panel legs and Pedestals only)

#### Merino Round Grommet (Not available with Power Blotter)

- Left	-MCGL	\$125
- Right	-MCGR	\$125
- Center	-MCGC	\$125
- Left & Right	-MCG2	\$249

#### Polished Chrome Grommets

-PCG \$50 (Upcharge per Grommet)

#### Polished Chrome Pull

-PCAP \$150 (Upcharge per Pedestal)

#### Polished Chrome Metal Leg

-PCML \$900 (Upcharge per Leg)

#### No Locks (Pedestals)

-NL \$0

#### Power in Box Drawer

-PD \$250

#### Power Blotter (Veneer Tops Only)

-LB \$850

#### Chicago Power for Power Blotter

-CHLB No charge

#### No Leather in box drawer

-NLBD DEDUCT \$200 (per Pedestal)

#### Pulls

- Applied Pull	-AP	No upcharge
- Integrated Pull	-IP	No upcharge
- Push-to-open (pedestal)	-P2P	\$1,050

### REQUIRED INFORMATION: (ORDER CANNOT BE ENTERED WITHOUT THIS INFORMATION)


- Choose Wood Species & Finish: See page 8. (Available in Qtr Ash, Qtr Cherry, Rift Cut Oak, Qtr Walnut, Double Cut. Grain runs Horizontal)
- Choose Glass Finish if applicable: Back-painted Satin or Gloss in White (WS,WG), Meringue (MS,MG), Quill (QS,QG), or Clove (VS,VG)
- Choose Metal Finish if applicable: Cloud (A8004), Burnished (A8009), Foil (A8006), Shadow (A8005), or Galaxy (A8007)
- Choose Paint Color if applicable: See page 8.
- Choose Leather Finish if applicable: See Page 12: Choose Spinneybeck Vincenza or Spinneybeck Volo colors from page 12. (If not specified default is Spinneybeck Vincenza 2122 Cinque Terre)

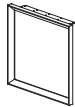
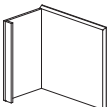
Specify both Left and Right support by adding L or R to the end of the support model number

### General Information:

- Grain direction runs horizontal, modesty panel on desks with Metal Legs are grain-matched to worksurface
- Modesty Panel MUST be specified.
- Pedestal Supports require a Full Modesty Panel
- Back -painted glass modesty panels can only be used back-painted glass tops.
- Veneer Modesty panels can only be used with Veneer tops.
- Painted Modesty panels CANNOT be used with Metal Legs.
- Half-high Modesty CANNOT be specified when Pedestal Supports are used
- Back-painted glass top is only available on Freestanding desks with Metal Bevel Legs
- Metal legs on freestanding desks MUST be specified in pairs
- Extended Top Desks can only be ordered with 30" Metal Bevel Legs, creating a 6" overhang with inset Modesty panel.
- For a desk shell specify 2 panel legs.
- Power Blotter is only available on Veneer Tops 72" and greater in width; Blotter is 28" wide x 17.5" Deep on 30" worksurface and 23.5" deep on 36" worksurface; Power access trough includes 3 simplex receptacles and 1 USB; Interior dimensions - 28" long x 4" wide x 2 1/2" deep
- Freestanding desks with Leather Power Blotter will require access to outlets in the floor to power the blotter.
- Cable management is included when power blotter is specified.
- Freestanding desks with push-to-open pull option on pedestals requires access to an electrical outlet in the floor.
- Pedestals and lateral files are standard with a lock.
- Merino Series Box/Box/file pedestals include a pencil tray in upper box drawers.
- Merino Series Pedestals have painted drawer boxes, undermount slides, low-profile hanger rails, and soft-close feature.
- Merino Series Box Drawers are leather lined and include polished dividers. Leather finish MUST be specified. Leather can be optioned off by specifying -NLB option.
- Conventional Series pedestals have maple drawer boxes and side mount slides; Conventional Series Pedestals can ONLY be specified with Applied or Integral Pulls
- Technology Pedestal includes 3 simplex receptacles and 1USB port
- Printer Pedestal and Laptop/Printer Pedestal must be located adjacent to knee space
- Power in Box Drawer option is only available on Merino Series upper box drawers on 18" wide pedestals only; Power option has 3 simplex receptacles and 1USB port.
- Wire Management is included.
- Sub-top on Glass worksurfaces and modesty panels will be painted to best match back-painted glass color.

# Single Pedestal Desks

Worksurface	Model Number	Depth	Width	Price
				Veneer -V
 MCD-T-3072	<b>Rectangle</b>			
	MCD-T-3060	30	60	1406
	MCD-T-3066	30	66	1533
	MCD-T-3072	30	72	1657
	MCD-T-3078	30	78	1778
	MCD-T-3084	30	84	1896
	MCD-T-3660	36	60	1657
	MCD-T-3666	36	66	1802
	MCD-T-3672	36	72	1943
	MCD-T-3678	36	78	2082
	MCD-T-3684	36	84	2215

Support Options (must specify left and right)	Model Number	W x D x H	Description	Price	Veneer Case/ Paint Front	All Veneer	
					-VS	-V	
 -ML-30	-ML-30 [ ]	2 x 30 x 28	Metal Bevel Leg	798	-	-	
	-MLV-30 [ ]	2 x 30 x 28	Metal Bevel Leg with Inset Veneer	898	-	-	
	-MLP-30 [ ]	2 x 30 x 28	Metal Bevel Leg with Inset Paint	898	-	-	
	-ML-36 [ ]	2 x 36 x 28	Metal Bevel Leg	898	-	-	
	-MLV-36 [ ]	2 x 36 x 28	Metal Bevel Leg with Inset Veneer	998	-	-	
	-MLP-36 [ ]	2 x 36 x 28	Metal Bevel Leg with Inset Paint	998	-	-	
	-MPL-30 [ ]	2 x 30 x 28	Wood Panel Leg		-	546	
	-MPL-36 [ ]	2 x 36 x 28	Wood Panel Leg		-	580	
	-CS-1830 [ ]	18 x 28 x 28	Corner Support		-	546	
	-CS-1836 [ ]	18 x 34 x 28	Corner Support		-	580	
	<b>Merino Series</b>						
	 -BBF-1830	-BBF-1630 [ ]	16 x 30 x 28	Box/Box/File		2277	2277
-FF-1630 [ ]		16 x 30 x 28	File/File		2277	2277	
-BBF-1636 [ ]		16 x 36 x 28	Box/Box/File		2340	2340	
-FF-1636 [ ]		16 x 36 x 28	File/File		2340	2340	
-BBF-1830 [ ]		18 x 30 x 28	Box/Box/File		2504	2504	
-FF-1830 [ ]		18 x 30 x 28	File/File		2504	2504	
-LBF-1830 [ ]		18 x 30 x 28	Laptop/Box/File		2628	2628	
-LP-1830 [ ]		18 x 30 x 28	Laptop/Printer Pedestal		3255	3255	
-PP-1830 [ ]		18 x 30 x 28	Printer Pedestal		2979	2979	
-PD-1830 [ ]		18 x 30 x 28	Tech Pedestal, Power Drawer w/ Door		2428	2428	
-BBF-1836 [ ]		18 x 36 x 28	Box/Box/File		2574	2574	
-FF-1836 [ ]		18 x 36 x 28	File/File		2574	2574	
-LBF-1836 [ ]	18 x 36 x 28	Laptop/Box/File		2702	2702		
-LP-1836 [ ]	18 x 36 x 28	Laptop/Printer Pedestal		3346	3346		
-PP-1836 [ ]	18 x 36 x 28	Printer Pedestal		3062	3062		
-PD-1836 [ ]	18 x 36 x 28	Tech Pedestal, Power Drawer w/ Door		2496	2496		
<b>Conventional Series</b>							
-CBBF-1830 [ ]	18 x 30 x 28	Box/Box/File		2003	2003		
-CFF-1830 [ ]	18 x 30 x 28	File/File		2003	2003		
-CLBF-1830 [ ]	18 x 30 x 28	Laptop/Box/File		2104	2104		
-CBBF-1836 [ ]	18 x 36 x 28	Box/Box/File		2059	2059		
-CFF-1836 [ ]	18 x 36 x 28	File/File		2059	2059		
-CLBF-1836 [ ]	18 x 36 x 28	Laptop/Box/File		2163	2163		

[ ] Specify Left (-L) and Right (-R) support

# Single Pedestal Desks

## General Information & Options



-MPMF



-AP



-IP



-LB

### Options:

#### Modesty Panel (must specify)

- Veneer Full Modesty Panel	-MPVF	\$806	
- Painted Full Modesty Panel	-MPPF	\$684	(for Wood Panel legs and Pedestals only)

#### Merino Round Grommet (Not available with Power Blotter)

- Left	-MCGL	\$125
- Right	-MCGR	\$125
- Center	-MCGC	\$125
- Left & Right	-MCG2	\$249

#### Polished Chrome Grommets

-PCG \$50 (Upcharge per Grommet)

#### Polished Chrome Pull

-PCAP \$150 (Upcharge per Pedestal)

#### Polished Chrome Metal Leg

-PCML \$900 (Upcharge per Leg)

#### No Locks (Pedestals)

-NL \$0

#### Power in Box Drawer

-PD \$250

#### Power Blotter (Veneer Tops Only)

-LB \$850

#### Chicago Power for Power Blotter

-CHLB No charge

#### No Leather in box drawer

-NLBD DEDUCT \$200 (per Pedestal)

#### Pulls

- Applied Pull	-AP	No upcharge
- Integrated Pull	-IP	No upcharge
- Push-to-open (pedestal)	-P2P	\$1,050

### REQUIRED INFORMATION: (ORDER CANNOT BE ENTERED WITHOUT THIS INFORMATION)


- Choose Wood Species & Finish: See page 8. (Available in Qtr Ash, Qtr Cherry, Rift Cut Oak, Qtr Walnut, Double Cut. Grain runs Horizontal)
- Choose Glass Finish if applicable: Back-painted Satin or Gloss in White (WS, WG), Meringue (MS, MG), Quill (QS, QG), or Clove (VS, VG)
- Choose Metal Finish if applicable: Cloud (A8004), Burnished (A8009), Foil (A8006), Shadow (A8005), or Galaxy (A8007)
- Choose Paint Color if applicable: See page 8.
- Choose Leather Finish if applicable: See Page 12: Choose Spinneybeck Vincenza or Spinneybeck Volo colors from page 12. (If not specified default is Spinneybeck Vincenza 2122 Cinque Terre)

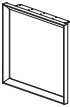
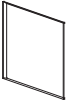
Specify both Left and Right support by adding L or R to the end of the support model number

### General Information:

- Grain direction runs horizontal, modesty panel on desks with Metal Legs are grain-matched to worksurface
- Corner support must be specified on one end
- Modesty Panel MUST be specified.
- Pedestal Supports and Panel Leg will include an Inset Full Modesty
- Metal Leg support can only be specified with Veneer Full Modesty, modesty is the Waterfall Modesty
- Painted Modesty CANNOT be used with Metal Legs
- Power Blotter is only available on Veneer Tops 78" and greater in width; Blotter is 28" wide x 17.5" Deep on 30" worksurface and 23.5" Deep on 36" worksurface; Power access trough includes 3 simplex receptacles and 1 USB; Interior dimensions - 28" long x 4" wide x 2 1/2" deep
- Cable management is included when power blotter is specified.
- Pedestals and lateral files are standard with a lock.
- Merino Series Box/Box/file pedestals include a pencil tray in upper box drawers.
- Merino Series Pedestals have painted drawer boxes, undermount slides, low-profile hanger rails, and soft-close feature.
- Merino Series Box Drawers are leather lined and include polished dividers. Leather finish MUST be specified. Leather can be optioned off by specifying -NLB option.
- Conventional Series pedestals have maple drawer boxes and side mount slides; Conventional Series Pedestals can ONLY be specified with Applied or Integral Pulls.
- Technology Pedestal includes 3 simplex receptacles and 1USB port
- Printer Pedestal and Laptop/Printer Pedestal must be located adjacent to knee space
- Power in Box Drawer option is only available on Merino Series upper box drawers on 18" wide pedestals only; Power option has 3 simplex receptacles and 1USB port.
- Wire Management is included.
- Push-to-open pull option on pedestals requires access to an electrical outlet.

# Run-Off Desks

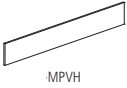
Worksurface	Model Number	Depth	Width	Price	
				Veneer	-V
 <p>MCRO-T-3072</p>	<b>Rectangle</b>				
	MCRO-T-3042	30	42		1011
	MCRO-T-3048	30	48		1145
	MCRO-T-3054	30	54		1276
	MCRO-T-3060	30	60		1406
	MCRO-T-3066	30	66		1533
	MCRO-T-3072	30	72		1657
	MCRO-T-3642	36	42		1198
	MCRO-T-3648	36	48		1355
	MCRO-T-3654	36	54		1507
	MCRO-T-3660	36	60		1657
	MCRO-T-3666	36	66		1802
	MCRO-T-3672	36	72		1943

Support Options (must specify left and right)	Model Number	W x D x H	Description	Price
 <p>-ML-30</p>	-ML-30 [ ]	2 x 30 x 28	Metal Bevel Leg	798
	-MLV-30 [ ]	2 x 30 x 28	Metal Bevel Leg with Inset Veneer	898
	-MLP-30 [ ]	2 x 30 x 28	Metal Bevel Leg with Inset Paint	898
 <p>-MPL-30</p>	-ML-36 [ ]	2 x 36 x 28	Metal Bevel Leg	898
	-MLV-36 [ ]	2 x 36 x 28	Metal Bevel Leg with Inset Veneer	998
	-MLP-36 [ ]	2 x 36 x 28	Metal Bevel Leg with Inset Paint	998
	-MPL-30 [ ]	2 x 30 x 28	Wood Panel Leg	546
	-MPL-36 [ ]	2 x 36 x 28	Wood Panel Leg	580

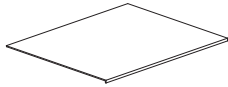
[ ] Specify Left (-L) and Right (-R) support

# Run-Off Desks

## General Information & Options



MPVH



-LB

### Options:

#### Modesty Panel (optional)

- Veneer Half Modesty Panel	-MPVH	\$674
- Painted Half Modesty Panel	-MPPH	\$621

#### Merino Round Grommet (Not Available with Power Blotter)

- End	-MCGE	\$125
- Center	-MCGC	\$125

#### Polished Chrome Grommets

-PCG \$50 (Upcharge per Grommet)

#### Polished Chrome Metal Leg

-PCML \$900 (Upcharge per Leg)

#### Leather Power Blotter

-LB \$850

#### Chicago Power for Power Blotter

-CHLB No charge

### REQUIRED INFORMATION: (ORDER CANNOT BE ENTERED WITHOUT THIS INFORMATION)


- Choose Wood Species & Finish: See page 8. (Available in Qtr Ash, Qtr Cherry, Rift Cut Oak, Qtr Walnut, Double Cut. Grain runs Horizontal)
- Choose Metal Finish if applicable: Cloud (A8004), Burnished (A8009), Foil (A8006), Shadow (A8005), or Galaxy (A8007)
- Choose Paint Color if applicable: See page 8.
- Choose Leather Finish if applicable: See Page 12: Choose Spinneybeck Vincenza or Spinneybeck Volo colors from page 12. (If not specified default is Spinneybeck Vincenza 2122 Cinque Terre)

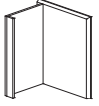
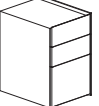
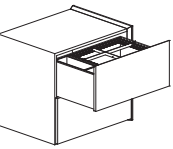
Specify both Left and Right support by adding L or R to the end of the support model number

### General Information:

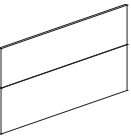
- Grain Direction Runs Horizontal.
- Veneer Inset Half High Modesty Panel (optional) is always inset xx" from the guest edge.
- Power Blotter is only available on Veneer Run-Off Tops 54" and greater in width; Power Blotter is 28" wide x 17.5" Deep on 30" worksurface and 23.5" Deep on 36" worksurface; Power access trough includes 3 simplex receptacles and 1 USB; Interior dimensions - 28" long x 4" wide x 2 1/2" deep
- Cable management is included when power blotter is specified.
- For Polished Metal Bevel Leg, specify -PCML.

# Credenzas (Freestanding, Back and Side Credenzas)

Worksurface	Model Number	Depth	Width	Price Veneer -V
 <p>MCC-2496</p>	MCC-2460	24	60	1180
	MCC-2466	24	66	1289
	MCC-2472	24	72	1396
	MCC-2478	24	78	1501
	MCC-2484	24	84	1605
	MCC-2490	24	90	1707
	MCC-2496	24	96	1806
	MCC-24102	24	102	1905
	MCC-24108	24	108	2002
	MCC-24114	24	114	2098
	MCC-24120	24	120	2191

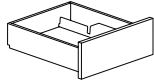
Support Options	Model Number	W x D x H	Description	Price Veneer Case/ Paint Front -VS	All Veneer -V
<p>(specify supports from left to right; including access panel or no access panel)</p>  <p>-CS-1824</p>  <p>-LBF-1824</p>  <p>-LFO-3024</p>	<b>Merino Series</b>				
	-CS-1824 [ ]	18 x 24 x 28	Corner Support	-	685
	-BBF-1824 [ ]	18 x 24 x 28	Box/Box/File	2277	2277
	-FF-1824 [ ]	18 x 24 x 28	File/File	2277	2277
	-LBF-1824 [ ]	18 x 24 x 28	Laptop/Box/File	2390	2390
	-LP-1824 [ ]	18 x 24 x 28	Laptop/Printer Pedestal	2959	2959
	-PP-1824 [ ]	18 x 24 x 28	Printer Pedestal	2709	2709
	-PD-1824 [ ]	18 x 24 x 28	Tech Pedestal, Power Drawer w/ Door	2208	2208
	-D-1824 [ ]	18 x 24 x 28	Door	1821	1821
	-DD-3024 [ ]	30 x 24 x 28	Double Door	1903	1903
	-DD-3624 [ ]	36 x 24 x 28	Double Door	2094	2094
	-LF-3024 [ ]	30 x 24 x 28	Lateral File	2198	2198
	-LF-3624 [ ]	36 x 24 x 28	Lateral File	2419	2419
	-LFO-3024 [ ]	30 x 24 x 28	Lateral File with Organizer boxes	2348	2348
	-LFO-3624 [ ]	36 x 24 x 28	Lateral File with Organizer boxes	2569	2569
	<b>Conventional Series</b>				
	-CBBF-1824 [ ]	18 x 24 x 28	Box/Box/File	1821	1821
	-CFF-1824 [ ]	18 x 24 x 28	File/File	1821	1821
	-CLBF-1824 [ ]	18 x 24 x 28	Laptop/Box/File	1912	1912
	-CLF-3024 [ ]	30 x 24 x 28	Lateral File	2094	2094
	-CLF-3624 [ ]	36 x 24 x 28	Lateral File	2304	2304

[ ] Specify Left (-L) and Right (-R) support

Back Panels	Model Number	Length	Width	Price	Model Number	Length	Width	Price
 <p>AP-54</p>	<b>Access Panel</b>				<b>No Back Panel</b>			
	-AP-6	6	26	362	-NP-6	6	26	0
	-AP-12	12	26	418	-NP-12	12	26	0
	-AP-18	18	26	473	-NP-18	18	26	0
	-AP-24	24	26	525	-NP-24	24	26	0
	-AP-30	30	26	575	-NP-30	30	26	0
	-AP-36	36	26	621	-NP-36	36	26	0
	-AP-42	42	26	665	-NP-42	42	26	0
	-AP-48	48	26	707	-NP-48	48	26	0
	-AP-54	54	26	746	-NP-54	54	26	0
	-AP-60	60	26	782	-NP-60	60	26	0
	-AP-66	66	26	815	-NP-66	66	26	0
	-AP-72	72	26	846	-NP-72	72	26	0
	-AP-78	78	26	873	-NP-78	78	26	0
	-AP-84	84	26	899	-NP-84	84	26	0

# Credenzas (Freestanding, Back and Side Credenzas)

## General Information & Options



-PD

### Options:

#### Merino Round Grommet

- Left	-MCGL	\$125	
- Right	-MCGR	\$125	
- Center	-MCGC	\$125	
- Left & Right	-MCG2	\$249	

#### Polished Chrome Grommets

-PCG \$50 (Upcharge per Grommet)

#### Polished Chrome Pull

-PCAP \$150 (Upcharge per Pedestal)

#### No Locks (Pedestals)

-NL \$0

#### Power in Box Drawer

-PD \$250

#### No Leather in Box Drawer

-NLBD DEDUCT \$200 (per Pedestal)

### Pulls

- Applied Pull	-AP	No upcharge
- Integrated Pull	-IP	No upcharge
- Push-to-open (pedestal)	-P2P	\$1,050
- Push-to-open (lateral file)	-P2L	\$1,050

### REQUIRED INFORMATION: (ORDER CANNOT BE ENTERED WITHOUT THIS INFORMATION)


- Choose Wood Species & Finish: See page 8. (Available in Qtr Ash, Qtr Cherry, Rift Cut Oak, Qtr Walnut, Double Cut. Grain runs Horizontal)
- Choose Paint Color if applicable: See page 8.
- Choose Metal Finish if applicable: Cloud (A8004), Burnished (A8009), Foil (A8006), Shadow (A8005), or Galaxy (A8007)
- Choose Leather Finish if applicable: See Page 12: Choose Spinneybeck Vincenza or Spinneybeck Volo colors from page 12. (If not specified default is Spinneybeck Vincenza 2122 Cinque Terre)

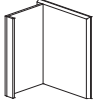
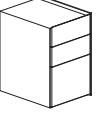
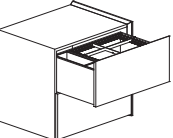
### General Information:

- Grain direction runs horizontal
- Specify left to right support and outfit every inch of space with either pedestals or a combination of pedestals, corner support, back panels, or no back panels.
- Pedestals and lateral files are standard with a lock.
- Merino Series Box/Box/file pedestals include a pencil tray in upper box drawers.
- Merino Series Pedestals have painted drawer boxes, undermount slides, low-profile hanger rails, and soft-close feature.
- Merino Series Box Drawers are leather lined and include polished dividers. Leather finish MUST be specified. Leather can be optioned off by specifying -NLB option.
- Conventional Series pedestals have maple drawer boxes and side mount slides; Conventional Series Pedestals can ONLY be specified with Applied or Integral Pulls
- Technology Pedestal includes 3 simplex receptacles and 1USB port
- Printer Pedestal and Laptop/Printer Pedestal must be located adjacent to knee space
- Power in Box Drawer option is only available on Merino Series upper box drawers on 18" wide pedestals only; Power option has 3 simplex receptacles and 1USB port.
- Credenzas with Stanchion-Mounted Overheads include a continuous wire pass-through in the worksurface in front of the tackboard. Wire pass-through requires knee space and is not included when credenza is filled with storage components.
- Wire Management is included.
- Push-to-open pull option on pedestals requires access to an electrical outlet.
- Doors are standard with a Touch Latch Mechanism and cannot be specified with other pull options. Pulls must be specified for Box and File drawers.

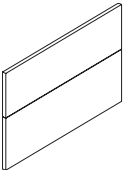


# Run-Off Back Credenzas

Worksurface	Model Number	Depth	Width	Price Veneer -V
 <p>MCRC-2496</p>	MCRC-2460	24	60	1180
	MCRC-2466	24	66	1289
	MCRC-2472	24	72	1396
	MCRC-2478	24	78	1501
	MCRC-2484	24	84	1605
	MCRC-2490	24	90	1707
	MCRC-2496	24	96	1806
	MCRC-24102	24	102	1905
	MCRC-24108	24	108	2002
	MCRC-24114	24	114	2098
	MCRC-24120	24	120	2191

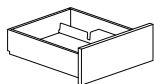
Support Options	Model Number	W x D x H	Description	Veneer Case/ Paint Front -VS	All Veneer -V
<p>(specify supports from left to right; including access panel or no access panel)</p>  <p>-CS-1824</p>  <p>-LBF-1824</p>  <p>-LFO-3024</p>	<b>Merino Series</b>				
	-CS-1824 [ ]	18 x 24 x 28	Corner Support	-	685
	-BBF-1824 [ ]	18 x 24 x 28	Box/Box/File	2277	2277
	-FF-1824 [ ]	18 x 24 x 28	File/File	2277	2277
	-LBF-1824 [ ]	18 x 24 x 28	Laptop/Box/File	2390	2390
	-LP-1824 [ ]	18 x 24 x 28	Laptop/Printer Pedestal	2959	2959
	-PP-1824 [ ]	18 x 24 x 28	Printer Pedestal	2709	2709
	-PD-1824 [ ]	18 x 24 x 28	Tech Pedestal, Power Drawer w/ Door	2208	2208
	-D-1824 [ ]	18 x 24 x 28	Door	1821	1821
	-DD-3024 [ ]	30 x 24 x 28	Double Door	1903	1903
	-DD-3624 [ ]	36 x 24 x 28	Double Door	2094	2094
	-LF-3024 [ ]	30 x 24 x 28	Lateral File	2198	2198
	-LF-3624 [ ]	36 x 24 x 28	Lateral File	2419	2419
	-LFO-3024 [ ]	30 x 24 x 28	Lateral File with Organizer boxes	2348	2348
	-LFO-3624 [ ]	36 x 24 x 28	Lateral File with Organizer boxes	2569	2569
	<b>Conventional Series</b>				
	-CBBF-1824 [ ]	18 x 24 x 28	Box/Box/File	1821	1821
	-CFF-1824 [ ]	18 x 24 x 28	File/File	1821	1821
	-CLBF-1824 [ ]	18 x 24 x 28	Laptop/Box/File	1912	1912
	-CLF-3024 [ ]	30 x 24 x 28	Lateral File	2094	2094
	-CLF-3624 [ ]	36 x 24 x 28	Lateral File	2304	2304

[ ] Specify Left (-L) and Right (-R) support

Back Panels	Model Number	Length	Width	Price	Model Number	Length	Width	Price
 <p>-AP-54</p>	<b>Access Panel</b>				<b>No Back Panel</b>			
	-AP-6	6	26	362	-NP-6	6	26	0
	-AP-12	12	26	418	-NP-12	12	26	0
	-AP-18	18	26	473	-NP-18	18	26	0
	-AP-24	24	26	525	-NP-24	24	26	0
	-AP-30	30	26	575	-NP-30	30	26	0
	-AP-36	36	26	621	-NP-36	36	26	0
	-AP-42	42	26	665	-NP-42	42	26	0
	-AP-48	48	26	707	-NP-48	48	26	0
	-AP-54	54	26	746	-NP-54	54	26	0
	-AP-60	60	26	782	-NP-60	60	26	0
	-AP-66	66	26	815	-NP-66	66	26	0
	-AP-72	72	26	846	-NP-72	72	26	0
	-AP-78	78	26	873	-NP-78	78	26	0
	-AP-84	84	26	899	-NP-84	84	26	0

# Run-Off Back Credenzas

## General Information & Options



-PD



-AP



-IP

### Options:

#### Merino Round Grommet

- Left	-MCGL	\$125	
- Right	-MGR	\$125	
- Center	-MGC	\$125	
- Left & Right	-MCG2	\$249	

#### Polished Chrome Grommets

-PCG \$50 (Upcharge per Grommet)

#### Polished Chrome Pull

-PCAP \$150 (Upcharge per Pedestal)

#### No Locks (Pedestals)

-NL \$0

#### Power in Box Drawer

-PD \$250

#### No Leather in Box Drawer

-NLBD DEDUCT \$200 (per Pedestal)

#### Pulls

- Applied Pull	-AP	No upcharge
- Integrated Pull	-IP	No upcharge
- Push-to-open (pedestal)	-P2P	\$1,050
- Push-to-open (lateral file)	-P2L	\$1,050

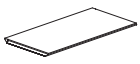
### REQUIRED INFORMATION: (ORDER CANNOT BE ENTERED WITHOUT THIS INFORMATION)

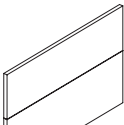
- Choose Wood Species & Finish: See page 8. (Available in Qtr Ash, Qtr Cherry, Rift Cut Oak, Qtr Walnut, Double Cut. Grain runs Horizontal)
- Choose Paint Color if applicable: See page 8.
- Choose Metal Finish if applicable: Cloud (A8004), Burnished (A8009), Foil (A8006), Shadow (A8005), or Galaxy (A8007)
- Choose Leather Finish if applicable: See Page 12: Choose Spinneybeck Vincenza or Spinneybeck Volo colors from page 12. (If not specified default is Spinneybeck Vincenza 2122 Cinque Terre)

### General Information:

- Grain direction runs horizontal
- Specify left to right support and outfit every inch of space with either pedestals or a combination of pedestals, corner support, back panels, or no back panels.
- Pedestals and lateral file are standard with a lock.
- Merino Series Box/Box/file pedestals include a pencil tray in upper box drawers.
- Merino Series Pedestals have painted drawer boxes, undermount slides, low-profile hanger rails, and soft-close feature.
- Merino Series Box Drawers are leather lined and include polished dividers. Leather finish MUST be specified. Leather can be optioned off by specifying -NLB option.
- Conventional Series pedestals have maple drawer boxes and side mount slides; Conventional Series Pedestals can ONLY be specified with Applied or Integral Pulls
- Technology Pedestal includes 3 simplex receptacles and 1USB port
- Printer Pedestal and Laptop/Printer Pedestal must be located adjacent to knee space
- Power in Box Drawer option is only available on Merino Series upper box drawers on 18" wide pedestals only; Power option has 3 simplex receptacles and 1USB port.
- Wire Management is included.
- Push-to-open pull option on pedestals requires access to an electrical outlet.
- Doors are standard with a Touch Latch Mechanism and cannot be specified with other pull options. Pulls must be specified for Box and File drawers.

# Bridges

Worksurface	Model Number	Depth	Width	Price
				Veneer
 MCB-2448	MCB-2436	24	36	801
	MCB-2442	24	42	871
	MCB-2448	24	48	928
	MCB-2454	24	54	970
	MCB-2460	24	60	997

Back Panels												
 -AP-54	Model Number	Length	Width	Price	Model Number	Length	Width	Price	Model Number	Length	Width	Price
	Access Panel	Full Height Panel			No Back Panel							
	-AP-36	36	26	621	-FP-36	36	26	451	-NP-36	36	26	0
	-AP-42	42	26	665	-FP-42	42	26	485	-NP-42	42	26	0
	-AP-48	48	26	707	-FP-48	48	26	518	-NP-48	48	26	0
	-AP-54	54	26	746	-FP-54	54	26	548	-NP-54	54	26	0
	-AP-60	60	26	782	-FP-60	60	26	577	-NP-60	60	26	0

## General Information & Options

### Options:

#### Merino Round Grommet

- Center -MCGC \$125

#### Polished Chrome Grommets

-PCG \$50 (Upcharge per Grommet)


### REQUIRED INFORMATION: (ORDER CANNOT BE ENTERED WITHOUT THIS INFORMATION)

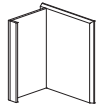
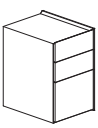
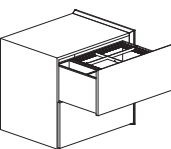
- Choose Wood Species & Finish: See page 8. (Available in Qtr Ash, Qtr Cherry, Rift Cut Oak, Qtr Walnut, Double Cut. Grain runs Horizontal)

### General Information:

- Grain direction runs horizontal.

# Returns

Worksurface	Model Number	Depth	Width	Price	
				Veneer	-V
 MCR-2460	MCR-2442	24	42		868
	MCR-2448	24	48		940
	MCR-2454	24	54		1000
	MCR-2460	24	60		1045
	MCR-2466	24	66		1078
	MCR-2472	24	72		1097

Support Options (specify supports from left to right; including access panel or no access panel)	Model Number	W x D x H	Description	Veneer Case/ Paint Front		All Veneer	
				-VS	-V	-VS	-V
 -CS-1824   -LBF-1824   -LFO-3024	<b>Merino Series</b>						
	-CS-1824 [ ]	18 x 24 x 28	Corner Support	-			685
	-BBF-1824 [ ]	18 x 24 x 28	Box/Box/File		2277		2277
	-FF-1824 [ ]	18 x 24 x 28	File/File		2277		2277
	-LBF-1824 [ ]	18 x 24 x 28	Laptop/Box/File		2390		2390
	-LP-1824 [ ]	18 x 24 x 28	Laptop/Printer Pedestal		2959		2959
	-PP-1824 [ ]	18 x 24 x 28	Printer Pedestal		2709		2709
	-PD-1824 [ ]	18 x 24 x 28	Tech Pedestal, Power Drawer w/ Door		2208		2208
	-D-1824 [ ]	18 x 24 x 28	Door		1821		1821
	-DD-3024 [ ]	30 x 24 x 28	Double Door		1903		1903
	-DD-3624 [ ]	36 x 24 x 28	Double Door		2094		2094
	-LF-3024 [ ]	30 x 24 x 28	Lateral File		2198		2198
	-LF-3624 [ ]	36 x 24 x 28	Lateral File		2419		2419
	-LFO-3024 [ ]	30 x 24 x 28	Lateral File with Organizer boxes		2348		2348
	-LFO-3624 [ ]	36 x 24 x 28	Lateral File with Organizer boxes		2569		2569

<b>Conventional Series</b>							
-CBBF-1824 [ ]	18 x 24 x 28	Box/Box/File		1821		1821	
-CFF-1824 [ ]	18 x 24 x 28	File/File		1821		1821	
-CLBF-1824 [ ]	18 x 24 x 28	Laptop/Box/File		1912		1912	
-CLF-3024 [ ]	30 x 24 x 28	Lateral File		2094		2094	
-CLF-3624 [ ]	36 x 24 x 28	Lateral File		2304		2304	

[ ] Specify Left (-L) and Right (-R) support

Back Panels	Model Number	Length	Width	Price	Model Number		Length	Width	Price
					Access Panel	No Back Panel			
 -AP-54	-AP-12	12	26	418	-NP-12	12	26	0	
	-AP-18	18	26	473	-NP-18	18	26	0	
	-AP-24	24	26	525	-NP-24	24	26	0	
	-AP-30	30	26	575	-NP-30	30	26	0	
	-AP-36	36	26	621	-NP-36	36	26	0	
	-AP-42	42	26	665	-NP-42	42	26	0	
	-AP-48	48	26	707	-NP-48	48	26	0	
	-AP-54	54	26	746	-NP-54	54	26	0	

# Returns

## General Information & Options

### Options:

#### Merino Round Grommet

- Left	-MCGL	\$125
- Right	-MCGR	\$125
- Center	-MCGC	\$125

#### Polished Chrome Grommets

-PCG \$50 (Upcharge per Grommet)

#### Polished Chrome Pull

-PCAP \$150 (Upcharge per Pedestal)

#### No Locks (Pedestals)

-NL \$0

#### Power in Box Drawer

-PD \$250

#### Organizer Drawer

-OD \$850

#### No Leather in box drawer

-NLBD DEDUCT \$200 (per Pedestal)

### Pulls

- Applied Pull	-AP	No upcharge
- Integrated Pull	-IP	No upcharge
- Push-to-open (pedestal)	-P2P	\$1,050
- Push-to-open (lateral file)	-P2L	\$1,050

### REQUIRED INFORMATION: (ORDER CANNOT BE ENTERED WITHOUT THIS INFORMATION)

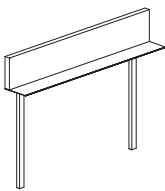
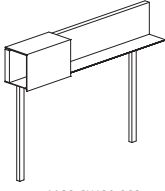
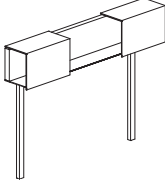

- Choose Wood Species & Finish: See page 8. (Available in Qtr Ash, Qtr Cherry, Rift Cut Oak, Qtr Walnut, Double Cut. Grain runs Horizontal)
- Choose Paint Color if applicable: See page 8.
- Choose Metal Finish if applicable: Cloud (A8004), Burnished (A8009), Foil (A8006), Shadow (A8005), or Galaxy (A8007)
- Choose Leather Finish if applicable: See Page 12: Choose Spinneybeck Vincenza or Spinneybeck Volo colors from page 12. (If not specified default is Spinneybeck Vincenza 2122 Cinque Terre)

Specify Left or Right support by adding L or R to the end of the support model number

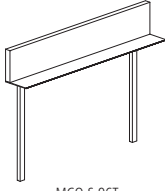
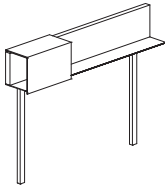
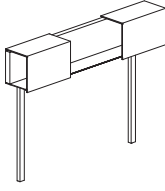

### General Information:

- Grain direction runs horizontal
- Specify left to right support and outfit every inch of space with either pedestals or a combination of pedestals, corner support, back panels, or no back panels.
- Pedestals and lateral files are standard with a lock.
- Merino Series Box/Box/file pedestals include a pencil tray in upper box drawers.
- Merino Series Pedestals have painted drawer boxes, undermount slides, low-profile hanger rails, and soft-close feature.
- Merino Series Box Drawers are leather lined and include polished dividers. Leather finish MUST be specified. Leather can be optioned off by specifying -NLB option.
- Conventional Series pedestals have maple drawer boxes and side mount slides; Conventional Series Pedestals can ONLY be specified with Applied or Integral Pulls
- Technology Pedestal includes 3 simplex receptacles and 1USB port
- Printer Pedestal and Laptop/Printer Pedestal must be located adjacent to knee space
- Power in Box Drawer option is only available on Merino Series upper box drawers on 18" wide pedestals only; Power option has 3 simplex receptacles and 1USB port.
- Wire Management is included.
- Push-to-open pull option on pedestals requires access to an electrical outlet.
- Doors are standard with a Touch Latch Mechanism and cannot be specified with other pull options. Pulls must be specified for Box and File drawers.

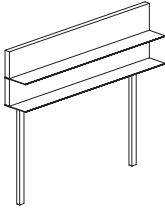
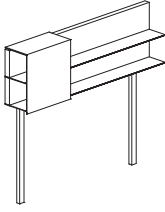
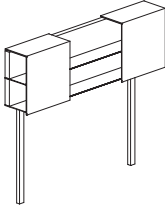
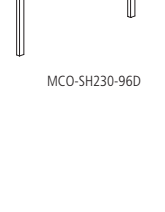
# Stanchion-Mounted Overheads

Aluminum Shelf	Model #	Width	Height	Depth	Description	Price	Painted Hood Front -S	Veneer Hood Front -V	Glass Hood Front -G
<b>Single Height - 70" High</b>									
 <p>MCO-S-96S</p>	MCO-S-60S	60	70	14	60" Shelf	3087	-	-	-
	MCO-S-66S	66	70	14	66" Shelf	3142	-	-	-
	MCO-S-72S	72	70	14	72" Shelf	3198	-	-	-
	MCO-S-78S	78	70	14	78" Shelf	3253	-	-	-
	MCO-S-84S	84	70	14	84" Shelf	3310	-	-	-
	MCO-S-90S	90	70	14	90" Shelf	3367	-	-	-
	MCO-S-96S	96	70	14	96" Shelf	3422	-	-	-
	MCO-S-102S	102	70	14	102" Shelf	3478	-	-	-
	MCO-S-108S	108	70	14	108" Shelf	3534	-	-	-
	MCO-S-114S	114	70	14	114" Shelf	3590	-	-	-
MCO-S-120S	120	70	14	120" Shelf	3646	-	-	-	
 <p>MCO-SH130-96S</p>	MCO-SH130-60S	60	70	14	60" Shelf with 30" Sliding Hood	4149	4149	4647	
	MCO-SH130-66S	66	70	14	66" Shelf with 30" Sliding Hood	4171	4171	4672	
	MCO-SH130-72S	72	70	14	72" Shelf with 30" Sliding Hood	4192	4192	4696	
	MCO-SH130-78S	78	70	14	78" Shelf with 30" Sliding Hood	4215	4215	4720	
	MCO-SH130-84S	84	70	14	84" Shelf with 30" Sliding Hood	4236	4236	4744	
	MCO-SH130-90S	90	70	14	90" Shelf with 30" Sliding Hood	4258	4258	4769	
	MCO-SH130-96S	96	70	14	96" Shelf with 30" Sliding Hood	4280	4280	4793	
	MCO-SH130-102S	102	70	14	102" Shelf with 30" Sliding Hood	4301	4301	4818	
	MCO-SH130-108S	108	70	14	108" Shelf with 30" Sliding Hood	4323	4323	4842	
	MCO-SH130-114S	114	70	14	114" Shelf with 30" Sliding Hood	4365	4365	4889	
MCO-SH130-120S	120	70	14	120" Shelf with 30" Sliding Hood	4387	4387	4914		
 <p>MCO-SH230-96S</p>	MCO-SH230-90S	90	70	14	90" Shelf with Two 30" Sliding Hoods	5536	5536	6199	
	MCO-SH230-96S	96	70	14	96" Shelf with Two 30" Sliding Hoods	5564	5564	6231	
	MCO-SH230-102S	102	70	14	102" Shelf with Two 30" Sliding Hoods	5591	5591	6263	
	MCO-SH230-108S	108	70	14	108" Shelf with Two 30" Sliding Hoods	5620	5620	6295	
	MCO-SH230-114S	114	70	14	114" Shelf with Two 30" Sliding Hoods	5675	5675	6355	
	MCO-SH230-120S	120	70	14	120" Shelf with Two 30" Sliding Hoods	5704	5704	6388	
 <p>MCO-SH136-96S</p>	MCO-SH136-60S	60	70	14	60" Shelf with 36" Sliding Hood	4398	4398	4926	
	MCO-SH136-66S	66	70	14	66" Shelf with 36" Sliding Hood	4421	4421	4952	
	MCO-SH136-72S	72	70	14	72" Shelf with 36" Sliding Hood	4444	4444	4978	
	MCO-SH136-78S	78	70	14	78" Shelf with 36" Sliding Hood	4468	4468	5003	
	MCO-SH136-84S	84	70	14	84" Shelf with 36" Sliding Hood	4490	4490	5029	
	MCO-SH136-90S	90	70	14	90" Shelf with 36" Sliding Hood	4514	4514	5055	
	MCO-SH136-96S	96	70	14	96" Shelf with 36" Sliding Hood	4536	4536	5080	
	MCO-SH136-102S	102	70	14	102" Shelf with 36" Sliding Hood	4559	4559	5107	
	MCO-SH136-108S	108	70	14	108" Shelf with 36" Sliding Hood	4583	4583	5133	
	MCO-SH136-114S	114	70	14	114" Shelf with 36" Sliding Hood	4627	4627	5182	
	MCO-SH136-120S	120	70	14	120" Shelf with 36" Sliding Hood	4651	4651	5209	
	MCO-SH236-108S	108	70	14	108" Shelf with Two 36" Sliding Hoods	5957	5957	6673	
MCO-SH236-114S	114	70	14	114" Shelf with Two 36" Sliding Hoods	6015	6015	6737		
MCO-SH236-120S	120	70	14	120" Shelf with Two 36" Sliding Hoods	6046	6046	6772		

# Stanchion-Mounted Overheads

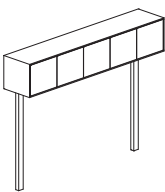
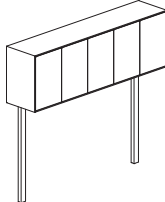
Aluminum Shelf	Model #	Width	Height	Depth	Description	Price	Painted	Veneer	Glass
							Hood Front	Hood Front	Hood Front
							-S	-V	-G
<b>Single Height - 80" High</b>									
	MCO-S-60T	60	80	14	60" Shelf	3396	-	-	-
	MCO-S-66T	66	80	14	66" Shelf	3456	-	-	-
	MCO-S-72T	72	80	14	72" Shelf	3518	-	-	-
	MCO-S-78T	78	80	14	78" Shelf	3578	-	-	-
	MCO-S-84T	84	80	14	84" Shelf	3641	-	-	-
	MCO-S-90T	90	80	14	90" Shelf	3704	-	-	-
	MCO-S-96T	96	80	14	96" Shelf	3764	-	-	-
	MCO-S-102T	102	80	14	102" Shelf	3826	-	-	-
	MCO-S-108T	108	80	14	108" Shelf	3887	-	-	-
	MCO-S-114T	114	80	14	114" Shelf	3949	-	-	-
MCO-S-120T	120	80	14	120" Shelf	4011	-	-	-	
	MCO-SH130-60T	60	80	14	60" Shelf with 30" Sliding Hood	4564	4564	5112	
	MCO-SH130-66T	66	80	14	66" Shelf with 30" Sliding Hood	4588	4588	5139	
	MCO-SH130-72T	72	80	14	72" Shelf with 30" Sliding Hood	4611	4611	5166	
	MCO-SH130-78T	78	80	14	78" Shelf with 30" Sliding Hood	4637	4637	5192	
	MCO-SH130-84T	84	80	14	84" Shelf with 30" Sliding Hood	4660	4660	5218	
	MCO-SH130-90T	90	80	14	90" Shelf with 30" Sliding Hood	4684	4684	5246	
	MCO-SH130-96T	96	80	14	96" Shelf with 30" Sliding Hood	4708	4708	5272	
	MCO-SH130-102T	102	80	14	102" Shelf with 30" Sliding Hood	4731	4731	5300	
	MCO-SH130-108T	108	80	14	108" Shelf with 30" Sliding Hood	4755	4755	5326	
	MCO-SH130-114T	114	80	14	114" Shelf with 30" Sliding Hood	4802	4802	5378	
MCO-SH130-120T	120	80	14	120" Shelf with 30" Sliding Hood	4826	4826	5405		
	MCO-SH230-90T	90	80	14	90" Shelf with Two 30" Sliding Hoods	6090	6090	6819	
	MCO-SH230-96T	96	80	14	96" Shelf with Two 30" Sliding Hoods	6120	6120	6854	
	MCO-SH230-102T	102	80	14	102" Shelf with Two 30" Sliding Hoods	6150	6150	6889	
	MCO-SH230-108T	108	80	14	108" Shelf with Two 30" Sliding Hoods	6182	6182	6925	
	MCO-SH230-114T	114	80	14	114" Shelf with Two 30" Sliding Hoods	6243	6243	6991	
	MCO-SH230-120T	120	80	14	120" Shelf with Two 30" Sliding Hoods	6274	6274	7027	
	MCO-SH136-60T	60	80	14	60" Shelf with 36" Sliding Hood	4838	4838	5419	
	MCO-SH136-66T	66	80	14	66" Shelf with 36" Sliding Hood	4863	4863	5447	
	MCO-SH136-72T	72	80	14	72" Shelf with 36" Sliding Hood	4888	4888	5476	
	MCO-SH136-78T	78	80	14	78" Shelf with 36" Sliding Hood	4915	4915	5503	
	MCO-SH136-84T	84	80	14	84" Shelf with 36" Sliding Hood	4939	4939	5532	
	MCO-SH136-90T	90	80	14	90" Shelf with 36" Sliding Hood	4965	4965	5561	
	MCO-SH136-96T	96	80	14	96" Shelf with 36" Sliding Hood	4990	4990	5588	
	MCO-SH136-102T	102	80	14	102" Shelf with 36" Sliding Hood	5015	5015	5618	
	MCO-SH136-108T	108	80	14	108" Shelf with 36" Sliding Hood	5041	5041	5646	
	MCO-SH136-114T	114	80	14	114" Shelf with 36" Sliding Hood	5090	5090	5700	
	MCO-SH136-120T	120	80	14	120" Shelf with 36" Sliding Hood	5116	5116	5730	
	MCO-SH236-108T	108	80	14	108" Shelf with Two 36" Sliding Hoods	6553	6553	7340	
MCO-SH236-114T	114	80	14	114" Shelf with Two 36" Sliding Hoods	6617	6617	7411		
MCO-SH236-120T	120	80	14	120" Shelf with Two 36" Sliding Hoods	6651	6651	7449		

# Stanchion-Mounted Overheads

Aluminum Shelf	Model #	Width	Height	Depth	Description	Price	Painted Hood Front -S	Veneer Hood Front -V	Glass Hood Front -G
<b>Double Height - 80" High</b>									
 <p>MCO-S-96D</p>	MCO-S-60D	60	80	14	Two 60" Shelves	4240	-	-	-
	MCO-S-66D	66	80	14	Two 66" Shelves	4356	-	-	-
	MCO-S-72D	72	80	14	Two 72" Shelves	4472	-	-	-
	MCO-S-78D	78	80	14	Two 78" Shelves	4587	-	-	-
	MCO-S-84D	84	80	14	Two 84" Shelves	4704	-	-	-
	MCO-S-90D	90	80	14	Two 90" Shelves	4819	-	-	-
	MCO-S-96D	96	80	14	Two 96" Shelves	4934	-	-	-
	MCO-S-102D	102	80	14	Two 102" Shelves	5051	-	-	-
	MCO-S-108D	108	80	14	Two 108" Shelves	5167	-	-	-
	MCO-S-114D	114	80	14	Two 114" Shelves	5283	-	-	-
MCO-S-120D	120	80	14	Two 120" Shelves	5399	-	-	-	
 <p>MCO-SH130-96D</p>	MCO-SH130-60D	60	80	14	Two 60" Shelves with 30" Sliding Hood	5187	5187	6120	
	MCO-SH130-66D	66	80	14	Two 66" Shelves with 30" Sliding Hood	5214	5214	6152	
	MCO-SH130-72D	72	80	14	Two 72" Shelves with 30" Sliding Hood	5241	5241	6184	
	MCO-SH130-78D	78	80	14	Two 78" Shelves with 30" Sliding Hood	5268	5268	6216	
	MCO-SH130-84D	84	80	14	Two 84" Shelves with 30" Sliding Hood	5295	5295	6248	
	MCO-SH130-90D	90	80	14	Two 90" Shelves with 30" Sliding Hood	5322	5322	6280	
	MCO-SH130-96D	96	80	14	Two 96" Shelves with 30" Sliding Hood	5350	5350	6312	
	MCO-SH130-102D	102	80	14	Two 102" Shelves with 30" Sliding Hood	5377	5377	6345	
	MCO-SH130-108D	108	80	14	Two 108" Shelves with 30" Sliding Hood	5404	5404	6377	
	MCO-SH130-114D	114	80	14	Two 114" Shelves with 30" Sliding Hood	5456	5456	6438	
MCO-SH130-120D	120	80	14	Two 120" Shelves with 30" Sliding Hood	5484	5484	6471		
 <p>MCO-SH230-96D</p>	MCO-SH230-90D	90	80	14	Two 90" Shelves with Two 30" Sliding Hoods	6919	6919	8164	
	MCO-SH230-96D	96	80	14	Two 96" Shelves with Two 30" Sliding Hoods	6954	6954	8205	
	MCO-SH230-102D	102	80	14	Two 102" Shelves with Two 30" Sliding Hoods	6990	6990	8248	
	MCO-SH230-108D	108	80	14	Two 108" Shelves with Two 30" Sliding Hoods	7025	7025	8290	
	MCO-SH230-114D	114	80	14	Two 114" Shelves with Two 30" Sliding Hoods	7093	7093	8369	
	MCO-SH230-120D	120	80	14	Two 120" Shelves with Two 30" Sliding Hoods	7130	7130	8412	
 <p>MCO-SH230-96D</p>	MCO-SH136-60D	60	80	14	Two 60" Shelves with 36" Sliding Hood	5498	5498	6487	
	MCO-SH136-66D	66	80	14	Two 66" Shelves with 36" Sliding Hood	5527	5527	6521	
	MCO-SH136-72D	72	80	14	Two 72" Shelves with 36" Sliding Hood	5555	5555	6555	
	MCO-SH136-78D	78	80	14	Two 78" Shelves with 36" Sliding Hood	5584	5584	6589	
	MCO-SH136-84D	84	80	14	Two 84" Shelves with 36" Sliding Hood	5613	5613	6623	
	MCO-SH136-90D	90	80	14	Two 90" Shelves with 36" Sliding Hood	5642	5642	6657	
	MCO-SH136-96D	96	80	14	Two 96" Shelves with 36" Sliding Hood	5671	5671	6690	
	MCO-SH136-102D	102	80	14	Two 102" Shelves with 36" Sliding Hood	5699	5699	6725	
	MCO-SH136-108D	108	80	14	Two 108" Shelves with 36" Sliding Hood	5728	5728	6759	
	MCO-SH136-114D	114	80	14	Two 114" Shelves with 36" Sliding Hood	5784	5784	6824	
	MCO-SH136-120D	120	80	14	Two 120" Shelves with 36" Sliding Hood	5813	5813	6859	
	MCO-SH236-108D	108	80	14	Two 108" Shelves with Two 36" Sliding Hoods	7447	7447	8787	
MCO-SH236-114D	114	80	14	Two 114" Shelves with Two 36" Sliding Hoods	7519	7519	8871		
MCO-SH236-120D	120	80	14	Two 120" Shelves with Two 36" Sliding Hoods	7557	7557	8917		



# Stanchion-Mounted Overheads

Full Doors	Model #	Width	Height	Depth	Description	Veneer Case/ Paint Front	All Veneer	Veneer Case/ Glass Front
						-VS	-V	-VG
 MCO-F-9017S	<b>Single Height-70" High</b>							
	MCO-F-7217S	72	70	17-1/4	4 Doors	4600	4600	5658
	MCO-F-9017S	90	70	17-1/4	5 Doors	5043	5043	6203
	MCO-F-10817S	108	70	17-1/4	6 Doors	5488	5488	6751
	MCO-F-7219S	72	70	19-1/4	4 Doors	4600	4600	5658
	MCO-F-9019S	90	70	19-1/4	5 Doors	5043	5043	6203
	MCO-F-10819S	108	70	19-1/4	6 Doors	5488	5488	6751
	<b>Single Height - 80" High</b>							
	MCO-F-7217T	72	80	17-1/4	4 Doors	5060	5060	6224
	MCO-F-9017T	90	80	17-1/4	5 Doors	5547	5547	6823
MCO-F-10817T	108	80	17-1/4	6 Doors	6037	6037	7426	
MCO-F-7219T	72	80	19-1/4	4 Doors	5060	5060	6224	
MCO-F-9019T	90	80	19-1/4	5 Doors	5547	5547	6823	
MCO-F-10819T	108	80	19-1/4	6 Doors	6037	6037	7426	
 MCO-F-9017D	<b>Double Height - 80" High</b>							
	MCO-F-7217D	72	80	17-1/4	4 Doors	6203	6203	7568
	MCO-F-9017D	90	80	17-1/4	5 Doors	6893	6893	8410
	MCO-F-10817D	108	80	17-1/4	6 Doors	7583	7583	9251
	MCO-F-7219D	72	80	19-1/4	4 Doors	6203	6203	7568
	MCO-F-9019D	90	80	19-1/4	5 Doors	6893	6893	8410
	MCO-F-10819D	108	80	19-1/4	6 Doors	7583	7583	9251

## General Information & Options

### Options:

#### Formaldehyde Free Option

- Veneer Panels

#### No Task Light

NT

deduct -\$400

### REQUIRED INFORMATION: (ORDER CANNOT BE ENTERED WITHOUT THIS INFORMATION)

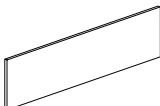
- Choose Wood Species & Finish: See page 8. (Available in Qtr Ash, Qtr Cherry, Rift Cut Oak, Qtr Walnut, Double Cut. Grain runs Horizontal)
- Choose Glass Finish if applicable: Back-painted Satin or Gloss in White (WS,WG), Meringue (MS,MG), Quill (QS,QG), or Clove (VS,VG)
- Choose Paint Finish if applicable: See page 8.

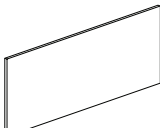
### General Information:


- Grain direction is Horizontal
- Overheads with Full Doors include recessed LED task light; can be removed as an option
- Aluminum Shelf depth is 11"
- Overhead depth is 17-1/4" or 19-1/4"; interior depth is 13-1/2" or 15-1/2".
- Overhead full height doors - single high = 16 - 3/4"; double high = 26 1/4"
- Glass overhead doors are frameless back-painted glass; glass is tempered
- Back-painted glass is low-iron glass
- Stanchion-Mounted overheads add 2" of depth to the overall footprint
- Single Height - 80" High Overhead option provides a larger tack-zone for accommodating monitors on the workwall.
- Doors are standard with a Touch Latch Mechanism and cannot be specified with other pull options.
- Door handing on full door overheads is optimized for ease of access to contents.
  - On 72" the two left doors open to the left and the two right doors open to the right.
  - On 96" overheads the three doors on the left open to the left and the two doors on the right open to the right.
  - On 108" overheads the first two doors on the left open left, the middle left door opens right, the middle right door opens left, and the two right doors open right.

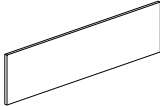
# Stanchion-Mounted Tackboards

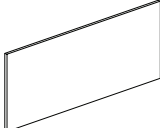
Price: Fabrics


Fabric Tackboards	Model #	Width	Height	Yardage	COM	A	B	C	D	E	F	G	H
 -T-90-21	<b>For use with Double Height-80" Overheads</b>												
	-T-60-21	60	21-1/2	2	153	257	308	361	414	467	519	572	625
	-T-66-21	66	21-1/2	2-1/4	159	277	336	405	454	513	572	631	684
	-T-72-21	72	21-1/2	2-1/2	165	297	361	426	493	558	624	689	742
	-T-78-21	78	21-1/2	2-3/4	172	316	388	460	533	605	677	748	801
	-T-84-21	84	21-1/2	3	178	335	414	493	571	651	728	807	860
	-T-90-21	90	21-1/2	3-1/4	184	354	440	525	610	694	780	865	918
	-T-96-21	96	21-1/2	3-1/2	192	376	467	559	652	743	833	926	979
	-T-102-21	102	21-1/2	3-3/4	197	393	492	589	689	788	885	984	1037
	-T-108-21	108	21-1/2	4	202	413	518	623	726	831	937	1042	1095
	-T-114-21	114	21-1/2	4-1/4	210	434	544	656	766	879	990	1101	1154
	-T-120-21	120	21-1/2	4-1/2	214	449	568	686	803	921	1040	1158	1211

 -T-90-33	<b>For use with Single Height-70" Overheads</b>												
	-T-60-23	60	23-3/4	2	169	273	324	377	430	483	535	588	641
	-T-66-23	66	23-3/4	2-1/4	175	293	352	421	470	529	588	647	700
	-T-72-23	72	23-3/4	2-1/2	181	313	377	442	509	574	640	705	758
	-T-78-23	78	23-3/4	2-3/4	188	332	404	476	549	621	693	764	817
	-T-84-23	84	23-3/4	3	194	351	430	509	587	667	744	823	876
	-T-90-23	90	23-3/4	3-1/4	200	370	456	541	626	710	796	881	934
	-T-96-23	96	23-3/4	3-1/2	208	392	483	575	668	759	849	942	995
	-T-102-23	102	23-3/4	3-3/4	213	409	508	605	705	804	901	1000	1053
	-T-108-23	108	23-3/4	4	218	429	534	639	742	847	953	1058	1111
	-T-114-23	114	23-3/4	4-1/4	226	450	560	672	782	895	1006	1117	1170
	-T-120-23	120	23-3/4	4-1/2	230	465	584	702	819	937	1056	1174	1227

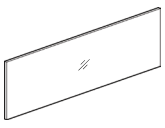

 -T-90-33	<b>For use with Single Height-80" Overheads</b>												
	-T-60-33	60	33-3/4	2	184	288	340	393	446	499	551	604	657
	-T-66-33	66	33-3/4	2-1/4	191	308	368	437	485	545	604	663	716
	-T-72-33	72	33-3/4	2-1/2	197	329	393	458	525	589	656	721	774
	-T-78-33	78	33-3/4	2-3/4	204	348	420	492	565	637	709	780	833
	-T-84-33	84	33-3/4	3	210	367	446	525	603	683	760	838	891
	-T-90-33	90	33-3/4	3-1/4	216	386	472	557	641	726	812	897	950
	-T-96-33	96	33-3/4	3-1/2	224	408	499	590	684	775	865	958	1011
	-T-102-33	102	33-3/4	3-3/4	229	425	524	621	721	819	917	1015	1068
	-T-108-33	108	33-3/4	4	234	445	550	655	758	863	969	1074	1127
	-T-114-33	114	33-3/4	4-1/4	242	465	576	688	798	911	1022	1133	1186
	-T-120-33	120	33-3/4	4-1/2	246	481	600	718	835	953	1072	1189	1242

Veneer Magnetic Board	Model #	Width	Height	Price
 -T-90-21	<b>For use with Double Height-80" Overheads</b>			
	-V-60-21	60	21-1/2	308
	-V-66-21	66	21-1/2	319
	-V-72-21	72	21-1/2	329
	-V-78-21	78	21-1/2	336
	-V-84-21	84	21-1/2	343
	-V-90-21	90	21-1/2	353
	-V-96-21	96	21-1/2	358
	-V-102-21	102	21-1/2	367
	-V-108-21	108	21-1/2	375
	-V-114-21	114	21-1/2	385
	-V-120-21	120	21-1/2	393

 -T-90-33	<b>For use with Single Height-70" Overheads</b>			
	-V-60-23	60	23-3/4	316
	-V-66-23	66	23-3/4	327
	-V-72-23	72	23-3/4	338
	-V-78-23	78	23-3/4	345
	-V-84-23	84	23-3/4	352
	-V-90-23	90	23-3/4	362
	-V-96-23	96	23-3/4	367
	-V-102-23	102	23-3/4	376
	-V-108-23	108	23-3/4	385
	-V-114-23	114	23-3/4	395
	-V-120-23	120	23-3/4	403

 -T-90-33	<b>For use with Single Height-80" Overheads</b>			
	-V-60-33	60	33-3/4	324
	-V-66-33	66	33-3/4	335
	-V-72-33	72	33-3/4	346
	-V-78-33	78	33-3/4	353
	-V-84-33	84	33-3/4	360
	-V-90-33	90	33-3/4	371
	-V-96-33	96	33-3/4	376
	-V-102-33	102	33-3/4	385
	-V-108-33	108	33-3/4	394
	-V-114-33	114	33-3/4	404
	-V-120-33	120	33-3/4	413

# Stanchion-Mounted Tackboards

Glass Magnetic Boards	Model #	Width	Height	Price
<b>For use with Double Height-80" Overheads</b>				
 -G-90-21	-G-60-21	60	21-1/2	1743
	-G-66-21	66	21-1/2	1815
	-G-72-21	72	21-1/2	1888
	-G-78-21	78	21-1/2	2054
	-G-84-21	84	21-1/2	2222
	-G-90-21	90	21-1/2	2401
	-G-96-21	96	21-1/2	2580
	-G-102-21	102	21-1/2	2662
	-G-108-21	108	21-1/2	2743
	-G-114-21	114	21-1/2	2826
	-G-120-21	120	21-1/2	2907
<b>For use with Single Height-70" Overheads</b>				
 -G-90-33	-G-60-23	60	23-3/4	1787
	-G-66-23	66	23-3/4	1860
	-G-72-23	72	23-3/4	1935
	-G-78-23	78	23-3/4	2106
	-G-84-23	84	23-3/4	2278
	-G-90-23	90	23-3/4	2461
	-G-96-23	96	23-3/4	2645
	-G-102-23	102	23-3/4	2729
	-G-108-23	108	23-3/4	2812
	-G-114-23	114	23-3/4	2897
	-G-120-23	120	23-3/4	2980
<b>For use with Single Height-80" Overheads</b>				
	-G-60-33	60	33-3/4	1830
	-G-66-33	66	33-3/4	1905
	-G-72-33	72	33-3/4	1982
	-G-78-33	78	33-3/4	2157
	-G-84-33	84	33-3/4	2333
	-G-90-33	90	33-3/4	2521
	-G-96-33	96	33-3/4	2709
	-G-102-33	102	33-3/4	2795
	-G-108-33	108	33-3/4	2881
	-G-114-33	114	33-3/4	2967
	-G-120-33	120	33-3/4	3052

## General Information & Options

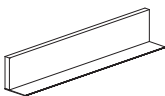
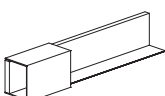
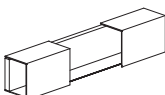


### REQUIRED INFORMATION: (ORDER CANNOT BE ENTERED WITHOUT THIS INFORMATION)

- Choose Wood Species & Finish: See page 8. (Available in Qtr Ash, Qtr Cherry, Rift Cut Oak, Qtr Walnut, Double Cut. Grain runs Horizontal)
- Choose Glass Finish if applicable: Back-painted Gloss in White (WG), Meringue (MG), Quill (QG), or Clove (VG)


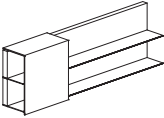
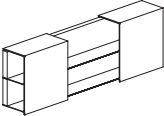


### General Information:

- Grain direction is horizontal
- Fabric Tackboard, Veneer Magnetic Board, or Glass Magnetic Board must be specified with stanchion-mounted overheads
- Fabric Tackboard, Veneer Magnetic Board, or Glass Magnetic Board must equal the length of the corresponding overhead.
- Fabric Tackboards 96" and greater will have an even split two piece construction
- Glass Magnetic Boards 78" and greater will have an even split two piece construction
- Glass Magnetic Boards are only available in gloss finish options.
- Magnets are included with Veneer Magnetic Boards and Glass Magnetic Boards
- 21" High Tackboard, Veneer Magnetic Board, or Glass Magnetic Board can only be specified with a Double Height -80" Overheads.
- 23" High Tackboard, Veneer Magnetic Board, or Glass Magnetic Board can only be specified with a Single Height -70" Overhead.
- 33" High Tackboard, Veneer Magnetic Board, or Glass Magnetic Board can only be specified with a Single Height -80" Overhead.
- Back-painted glass is low-iron glass
- See page 9 for fabric restrictions

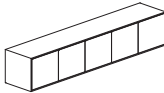
# Wall-Mounted Overheads

Aluminum Shelf	Model #	Width	Height	Depth	Description	Price	Painted Hood Front	Veneer Hood Front	Glass Hood Front
						-S	-V	-G	
 <p>MCOW-S-96S</p>	<b>Single Height</b>								
	MCOW-S-60S	60	17	14	60" Shelf	2599	-	-	-
	MCOW-S-66S	66	17	14	66" Shelf	2609	-	-	-
	MCOW-S-72S	72	17	14	72" Shelf	2619	-	-	-
	MCOW-S-78S	78	17	14	78" Shelf	2631	-	-	-
	MCOW-S-84S	84	17	14	84" Shelf	2641	-	-	-
	MCOW-S-90S	90	17	14	90" Shelf	2651	-	-	-
	MCOW-S-96S	96	17	14	96" Shelf	2662	-	-	-
	MCOW-S-102S	102	17	14	102" Shelf	2671	-	-	-
	MCOW-S-108S	108	17	14	108" Shelf	2682	-	-	-
	MCOW-S-114S	114	17	14	114" Shelf	2692	-	-	-
	MCOW-S-120S	120	17	14	120" Shelf	2703	-	-	-
 <p>MCOW-SH130-96S</p>	MCOW-SH130-60S	60	18	14	60" Shelf with 30" Sliding Hood		3745	3745	4194
	MCOW-SH130-66S	66	18	14	66" Shelf with 30" Sliding Hood		3765	3765	4216
	MCOW-SH130-72S	72	18	14	72" Shelf with 30" Sliding Hood		3784	3784	4238
	MCOW-SH130-78S	78	18	14	78" Shelf with 30" Sliding Hood		3804	3804	4260
	MCOW-SH130-84S	84	18	14	84" Shelf with 30" Sliding Hood		3823	3823	4283
	MCOW-SH130-90S	90	18	14	90" Shelf with 30" Sliding Hood		3843	3843	4304
	MCOW-SH130-96S	96	18	14	96" Shelf with 30" Sliding Hood		3863	3863	4326
	MCOW-SH130-102S	102	18	14	102" Shelf with 30" Sliding Hood		3882	3882	4349
	MCOW-SH130-108S	108	18	14	108" Shelf with 30" Sliding Hood		3902	3902	4370
	MCOW-SH130-114S	114	18	14	114" Shelf with 30" Sliding Hood		3940	3940	4413
	MCOW-SH130-120S	120	18	14	120" Shelf with 30" Sliding Hood		3960	3960	4435
	 <p>MCOW-SH136-96S</p>	MCOW-SH230-90S	90	18	14	90" Shelf with Two 30" Sliding Hoods		4996	4996
MCOW-SH230-96S		96	18	14	96" Shelf with Two 30" Sliding Hoods		5021	5021	5624
MCOW-SH230-102S		102	18	14	102" Shelf with Two 30" Sliding Hoods		5047	5047	5653
MCOW-SH230-108S		108	18	14	108" Shelf with Two 30" Sliding Hoods		5072	5072	5681
MCOW-SH230-114S		114	18	14	114" Shelf with Two 30" Sliding Hoods		5122	5122	5736
MCOW-SH230-120S		120	18	14	120" Shelf with Two 30" Sliding Hoods		5148	5148	5766
	MCOW-SH136-60S	60	18	14	60" Shelf with 36" Sliding Hood		3970	3970	4446
	MCOW-SH136-66S	66	18	14	66" Shelf with 36" Sliding Hood		3991	3991	4469
	MCOW-SH136-72S	72	18	14	72" Shelf with 36" Sliding Hood		4011	4011	4493
	MCOW-SH136-78S	78	18	14	78" Shelf with 36" Sliding Hood		4032	4032	4516
	MCOW-SH136-84S	84	18	14	84" Shelf with 36" Sliding Hood		4053	4053	4540
	MCOW-SH136-90S	90	18	14	90" Shelf with 36" Sliding Hood		4074	4074	4563
	MCOW-SH136-96S	96	18	14	96" Shelf with 36" Sliding Hood		4094	4094	4586
	MCOW-SH136-102S	102	18	14	102" Shelf with 36" Sliding Hood		4115	4115	4610
	MCOW-SH136-108S	108	18	14	108" Shelf with 36" Sliding Hood		4136	4136	4633
	MCOW-SH136-114S	114	18	14	114" Shelf with 36" Sliding Hood		4176	4176	4677
	MCOW-SH136-120S	120	18	14	120" Shelf with 36" Sliding Hood		4198	4198	4701
		MCOW-SH236-108S	108	18	14	108" Shelf with Two 36" Sliding Hoods		5376	5376
MCOW-SH236-114S		114	18	14	114" Shelf with Two 36" Sliding Hoods		5429	5429	6080
MCOW-SH236-120S		120	18	14	120" Shelf with Two 36" Sliding Hoods		5457	5457	6112

# Wall-Mounted Overheads

Aluminum Shelf	Model #	Width	Height	Depth	Description	Price	Painted	Veneer	Glass
							Hood Front	Hood Front	Hood Front
							-S	-V	-G
<b>Double Height</b>									
	MCOW-S-60D	60	28-1/2	14	Two 60" Shelves	4187	-	-	-
	MCOW-S-66D	66	28-1/2	14	Two 66" Shelves	4301	-	-	-
	MCOW-S-72D	72	28-1/2	14	Two 72" Shelves	4417	-	-	-
	MCOW-S-78D	78	28-1/2	14	Two 78" Shelves	4531	-	-	-
	MCOW-S-84D	84	28-1/2	14	Two 84" Shelves	4645	-	-	-
	MCOW-S-90D	90	28-1/2	14	Two 90" Shelves	4759	-	-	-
	MCOW-S-96D	96	28-1/2	14	Two 96" Shelves	4873	-	-	-
	MCOW-S-102D	102	28-1/2	14	Two 102" Shelves	4987	-	-	-
	MCOW-S-108D	108	28-1/2	14	Two 108" Shelves	5103	-	-	-
	MCOW-S-114D	114	28-1/2	14	Two 114" Shelves	5217	-	-	-
	MCOW-S-120D	120	28-1/2	14	Two 120" Shelves	5331	-	-	-
		MCOW-SH130-60D	60	29-1/2	14	Two 60" Shelves with 30" Sliding Hood	4681	4681	5524
MCOW-SH130-66D		66	29-1/2	14	Two 66" Shelves with 30" Sliding Hood	4706	4706	5553	
MCOW-SH130-72D		72	29-1/2	14	Two 72" Shelves with 30" Sliding Hood	4730	4730	5582	
MCOW-SH130-78D		78	29-1/2	14	Two 78" Shelves with 30" Sliding Hood	4754	4754	5610	
MCOW-SH130-84D		84	29-1/2	14	Two 84" Shelves with 30" Sliding Hood	4779	4779	5639	
MCOW-SH130-90D		90	29-1/2	14	Two 90" Shelves with 30" Sliding Hood	4804	4804	5668	
MCOW-SH130-96D		96	29-1/2	14	Two 96" Shelves with 30" Sliding Hood	4829	4829	5697	
MCOW-SH130-102D		102	29-1/2	14	Two 102" Shelves with 30" Sliding Hood	4853	4853	5727	
MCOW-SH130-108D		108	29-1/2	14	Two 108" Shelves with 30" Sliding Hood	4877	4877	5756	
MCOW-SH130-114D		114	29-1/2	14	Two 114" Shelves with 30" Sliding Hood	4924	4924	5810	
MCOW-SH130-120D		120	29-1/2	14	Two 120" Shelves with 30" Sliding Hood	4950	4950	5841	
		MCOW-SH230-90D	90	29-1/2	14	Two 90" Shelves with Two 30" Sliding Hoods	6245	6245	7369
	MCOW-SH230-96D	96	29-1/2	14	Two 96" Shelves with Two 30" Sliding Hoods	6277	6277	7406	
	MCOW-SH230-102D	102	29-1/2	14	Two 102" Shelves with Two 30" Sliding Hoods	6309	6309	7445	
	MCOW-SH230-108D	108	29-1/2	14	Two 108" Shelves with Two 30" Sliding Hoods	6340	6340	7482	
	MCOW-SH230-114D	114	29-1/2	14	Two 114" Shelves with Two 30" Sliding Hoods	6402	6402	7553	
	MCOW-SH230-120D	120	29-1/2	14	Two 120" Shelves with Two 30" Sliding Hoods	6435	6435	7593	
	MCOW-SH136-60D	60	29-1/2	14	Two 60" Shelves with 36" Sliding Hood	4962	4962	5855	
	MCOW-SH136-66D	66	29-1/2	14	Two 66" Shelves with 36" Sliding Hood	4988	4988	5886	
	MCOW-SH136-72D	72	29-1/2	14	Two 72" Shelves with 36" Sliding Hood	5014	5014	5916	
	MCOW-SH136-78D	78	29-1/2	14	Two 78" Shelves with 36" Sliding Hood	5040	5040	5947	
	MCOW-SH136-84D	84	29-1/2	14	Two 84" Shelves with 36" Sliding Hood	5066	5066	5978	
	MCOW-SH136-90D	90	29-1/2	14	Two 90" Shelves with 36" Sliding Hood	5092	5092	6008	
	MCOW-SH136-96D	96	29-1/2	14	Two 96" Shelves with 36" Sliding Hood	5118	5118	6039	
	MCOW-SH136-102D	102	29-1/2	14	Two 102" Shelves with 36" Sliding Hood	5145	5145	6070	
	MCOW-SH136-108D	108	29-1/2	14	Two 108" Shelves with 36" Sliding Hood	5170	5170	6101	
	MCOW-SH136-114D	114	29-1/2	14	Two 114" Shelves with 36" Sliding Hood	5220	5220	6159	
	MCOW-SH136-120D	120	29-1/2	14	Two 120" Shelves with 36" Sliding Hood	5247	5247	6192	
		MCOW-SH236-108D	108	29-1/2	14	Two 108" Shelves with Two 36" Sliding Hoods	6721	6721	7931
MCOW-SH236-114D		114	29-1/2	14	Two 114" Shelves with Two 36" Sliding Hoods	6786	6786	8006	
MCOW-SH236-120D		120	29-1/2	14	Two 120" Shelves with Two 36" Sliding Hoods	6821	6821	29-1/249	

# Wall-Mounted Overheads

Full Doors	Model #	Width	Height	Depth	Description	Veneer Case/ Paint Front	All Veneer	Veneer Case/ Glass Front
						-VS	-V	-VG
 MCOW-F-9017S	<b>Single Height</b>							
	MCOW-F-7217S	72	16-3/4	17-1/4	4 Doors	3785	3785	4655
	MCOW-F-9017S	90	16-3/4	17-1/4	5 Doors	4074	4074	5012
	MCOW-F-10817S	108	16-3/4	17-1/4	6 Doors	4364	4364	5368
	MCOW-F-7219S	72	16-3/4	19-1/4	4 Doors	3785	3785	4655
	MCOW-F-9019S	90	16-3/4	19-1/4	5 Doors	4074	4074	5012
	MCOW-F-10819S	108	16-3/4	19-1/4	6 Doors	4364	4364	5368
 MCOW-F-9017D	<b>Double Height</b>							
	MCOW-F-7217D	72	29	17-1/4	4 Doors	5854	5854	7200
	MCOW-F-9017D	90	29	17-1/4	5 Doors	6517	6517	8016
	MCOW-F-10817D	108	29	17-1/4	6 Doors	7179	7179	8831
	MCOW-F-7219D	72	29	19-1/4	4 Doors	5854	5854	7200
	MCOW-F-9019D	90	29	19-1/4	5 Doors	6517	6517	8016
	MCOW-F-10819D	108	29	19-1/4	6 Doors	7179	7179	8831

## General Information & Options

### Options:

#### Formaldehyde Free Option

- Veneer Panels

#### No Task Light

NT deduct -\$400

#### REQUIRED INFORMATION: (ORDER CANNOT BE ENTERED WITHOUT THIS INFORMATION)

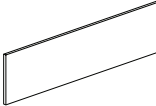
- Choose Wood Species & Finish: See page 8. (Available in Qtr Ash, Qtr Cherry, Rift Cut Oak, Qtr Walnut, Double Cut. Grain runs Horizontal)
- Choose Glass Finish if applicable: Back-painted Satin or Gloss in White (WS,WG), Meringue (MS,MG), Quill (QS,QG), or Clove (VS,VG)
- Choose Paint Finish if applicable: See page 8.


#### General Information:


- Grain Direction is Horizontal
- Overheads with Full Doors include recessed LED task light; can be removed as an option
- Aluminum Shelf depth is 11"
- Overhead depth is 17-1/4" or 19-1/4"; interior depth is 13-1/2" or 15-1/2".
- Overhead full height doors - single high = 16 - 3/4"; double high = 26 1/4"
- Glass overhead doors are frameless back-painted glass; glass is tempered
- Back-painted glass is low-iron glass
- Tackboard and Glass Magnetic Board option available. See page 53.
- Wall-Mounted Overheads are shipped with mounting hardware for attachment to structural walls
- Customers are responsible for ensuring that the structural wall has adequate strength to support the overhead and its components.
- The recommended installation height for wall-mounted Single Height-70" High Overheads is 23 - 3/4" from the top of the worksurface to the bottom of the overhead unit.
- The recommended installation height for wall-mounted Double Height - 80" High overheads is 21-1/2' from the top of the worksurface to the bottom of the overhead unit.
- Single height wall-mounted overheads can also be mounted at the 80" height to create a large tack area for monitors; for this application recommended installation height is 33-3/4" from the top of the worksurface to the bottom of the overhead unit.
- Doors are standard with a Touch Latch Mechanism and cannot be specified with other pull options.
- Door handing on full door overheads is optimized for ease of access to contents.
  - On 72" the two left doors open to the left and the two right doors open to the right.
  - On 96" overheads the three doors on the left open to the left and the two doors on the right open to the right.
  - On 108" overheads the first two doors on the left open left, the middle left door opens right, the middle right door opens left, and the two right doors open right.


# Wall-Mounted Tackboards

Price: Fabrics


Fabric Tackboards	Model #	Width	Height	Yardage	COM	A	B	C	D	E	F	G	H
 -WT-96-21	<b>For use with Double Height-80" Overheads</b>												
	-WT-60-21	60	21-1/2	2	392	500	548	607	660	716	769	824	877
	-WT-66-21	66	21-1/2	2-1/4	418	540	601	660	722	783	844	904	957
	-WT-72-21	72	21-1/2	2-1/2	441	576	644	711	778	846	914	981	1034
	-WT-78-21	78	21-1/2	2-3/4	465	614	688	762	836	912	986	1059	1112
	-WT-84-21	84	21-1/2	3	485	648	729	811	889	972	1054	1133	1186
	-WT-90-21	90	21-1/2	3-1/4	507	682	770	858	944	1032	1123	1209	1262
	-WT-96-21	96	21-1/2	3-1/2	524	714	808	903	996	1092	1186	1280	1333
	-WT-102-21	102	21-1/2	3-3/4	544	747	848	949	1052	1152	1252	1355	1408
	-WT-108-21	108	21-1/2	4	560	776	884	992	1099	1208	1315	1424	1477
	-WT-114-21	114	21-1/2	4-1/4	575	803	918	1034	1148	1265	1378	1494	1547
	-WT-120-21	120	21-1/2	4-1/2	590	833	955	1077	1198	1319	1442	1562	1615

 -WT-96-33	<b>For use with Single Height-70" Overheads</b>												
	-WT-60-23	60	23-3/4	2	408	516	564	623	676	732	785	840	893
	-WT-66-23	66	23-3/4	2-1/4	434	556	617	676	738	799	860	920	973
	-WT-72-23	72	23-3/4	2-1/2	457	592	660	727	794	862	930	997	1050
	-WT-78-23	78	23-3/4	2-3/4	481	630	704	778	852	928	1002	1075	1128
	-WT-84-23	84	23-3/4	3	501	664	745	827	905	988	1070	1149	1202
	-WT-90-23	90	23-3/4	3-1/4	523	698	786	874	960	1048	1139	1225	1278
	-WT-96-23	96	23-3/4	3-1/2	540	730	824	919	1012	1108	1202	1296	1349
	-WT-102-23	102	23-3/4	3-3/4	560	763	864	965	1068	1168	1268	1371	1424
	-WT-108-23	108	23-3/4	4	576	792	900	1008	1115	1224	1331	1440	1493
	-WT-114-23	114	23-3/4	4-1/4	591	819	934	1050	1164	1281	1394	1510	1563
	-WT-120-23	120	23-3/4	4-1/2	606	849	971	1093	1214	1335	1458	1578	1631

	<b>For use with Single Height-80" Overheads</b>												
	-WT-60-33	60	33-3/4	2	424	532	580	639	692	747	800	855	908
	-WT-66-33	66	33-3/4	2-1/4	449	571	633	692	754	815	876	936	989
	-WT-72-33	72	33-3/4	2-1/2	473	607	676	743	810	878	946	1012	1065
	-WT-78-33	78	33-3/4	2-3/4	497	646	720	794	868	943	1018	1091	1144
	-WT-84-33	84	33-3/4	3	517	679	761	843	921	1004	1085	1165	1218
	-WT-90-33	90	33-3/4	3-1/4	538	713	801	889	976	1064	1154	1241	1294
	-WT-96-33	96	33-3/4	3-1/2	555	746	840	935	1028	1124	1218	1312	1365
	-WT-102-33	102	33-3/4	3-3/4	576	779	880	981	1083	1184	1284	1386	1439
	-WT-108-33	108	33-3/4	4	591	808	916	1024	1131	1240	1347	1455	1508
	-WT-114-33	114	33-3/4	4-1/4	606	835	950	1065	1180	1296	1410	1525	1578
	-WT-120-33	120	33-3/4	4-1/2	622	865	987	1109	1230	1350	1473	1594	1647

Glass Magnetic Boards	Model #	Width	Height	Price
 -WG-96-21	<b>For use with Double Height-80" Overheads</b>			
	-WG-60-21	60	21-1/2	1743
	-WG-66-21	66	21-1/2	1815
	-WG-72-21	72	21-1/2	1888
	-WG-78-21	78	21-1/2	2054
	-WG-84-21	84	21-1/2	2222
	-WG-90-21	90	21-1/2	2401
	-WG-96-21	96	21-1/2	2580
	-WG-102-21	102	21-1/2	2662
	-WG-108-21	108	21-1/2	2743
	-WG-114-21	114	21-1/2	2826
-WG-120-21	120	21-1/2	2907	

 -WG-96-33	<b>For use with Single Height-70" Overheads</b>			
	-WG-60-23	60	23-3/4	1787
	-WG-66-23	66	23-3/4	1860
	-WG-72-23	72	23-3/4	1935
	-WG-78-23	78	23-3/4	2106
	-WG-84-23	84	23-3/4	2278
	-WG-90-23	90	23-3/4	2461
	-WG-96-23	96	23-3/4	2645
	-WG-102-23	102	23-3/4	2729
	-WG-108-23	108	23-3/4	2812
	-WG-114-23	114	23-3/4	2897
-WG-120-23	120	23-3/4	2980	

	<b>For use with Single Height Overhead Mounted at 80" height</b>			
	-WG-60-33	60	33-3/4	1830
	-WG-66-33	66	33-3/4	1905
	-WG-72-33	72	33-3/4	1982
	-WG-78-33	78	33-3/4	2157
	-WG-84-33	84	33-3/4	2333
	-WG-90-33	90	33-3/4	2521
	-WG-96-33	96	33-3/4	2709
	-WG-102-33	102	33-3/4	2795
	-WG-108-33	108	33-3/4	2881
	-WG-114-33	114	33-3/4	2967
	-WG-120-33	120	33-3/4	3052

# Wall-Mounted Tackboards

## General Information & Options

### **REQUIRED INFORMATION: (ORDER CANNOT BE ENTERED WITHOUT THIS INFORMATION)**


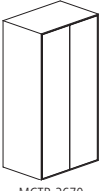
- Choose Wood Species & Finish: See page 8. (Available in Qtr Ash, Qtr Cherry, Rift Cut Oak, Qtr Walnut, Double Cut. Grain runs Horizontal)
- Choose Glass Finish if applicable: Back-painted Gloss in White (WG), Meringue (MG), Quill (QG), or Clove (VG)

### **General Information:**

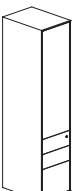

- For Use with Wall-Mounted overheads only
- Fabric Tackboard or Glass Magnetic Board must equal the length of the corresponding overhead.
- Fabric Tackboards 96" and greater will have an even split two piece construction
- Glass Magnetic boards 78" and greater will have an even split two piece construction.
- Glass Magnetic boards are only available in gloss finish options
- Back-painted glass is low-iron glass
- Magnets are included with Glass Magnetic Boards
- 21" High Tackboard, or Glass Magnetic Board should be specified for a Double Height Overhead mounted at 80" height.
- 23" High Tackboard, or Glass Magnetic Board should be specified for a Single Height Overhead mounted at 70" height.
- 33" High Tackboard, or Glass Magnetic Board should be specified for a Single Height Overhead mounted at 80" height.
- See Page 9 for Fabric restrictions



# Towers

70" Towers	Model #	Width	Height	Depth	Description	Price	
						Veneer Case/ Paint Front	All Veneer
						-VS	-V
<b>Merino Series</b>							
	MCTW-1270 [ ]	12	70-1/4	24	Wardrobe w/ Mirror	2758	2758
	MCTW-1870 [ ]	18	70-1/4	24	Wardrobe w/ Shoe Tray & Mirror	3226	3226
	MCTS-1870 [ ]	18	70-1/4	24	Full Height Door with 4 Shelves	3502	3502
	MCTSB-1870 [ ]	18	70-1/4	24	Box, Box, File with Upper Door (Shelves)	3892	3892
	MCTSF-1870 [ ]	18	70-1/4	24	File, File with Upper Door (Shelves)	3892	3892
	MCTWB-1870 [ ]	18	70-1/4	24	Box, Box, File with Upper Door (Wardrobe w/ Mirror)	3892	3892
	MCTWF-1870 [ ]	18	70-1/4	24	File, File with Upper Door (Wardrobe w/ Mirror)	3892	3892
	MCTR-3670 [ ]	36	70-1/4	24	Full Height Door with Wardrobe, Shoe Tray, 2 Box Drawers, Bag Hooks, 2 Shelves, & Mirror	5412	5412
	MCTL-3670 [ ]	36	70-1/4	24	Two Lateral Files with Upper Doors for Wardrobe/Shelf	5412	5412
<b>Conventional Series</b>							
	MCCSB-1870 [ ]	18	70-1/4	24	Box, Box, File with Upper Door (Shelves)	3737	3737
	MCCSF-1870 [ ]	18	70-1/4	24	File, File with Upper Door (Shelves)	3737	3737
	MCCWB-1870 [ ]	18	70-1/4	24	Box, Box, File with Upper Door (Wardrobe)	3737	3737
	MCCWF-1870 [ ]	18	70-1/4	24	File, File with Upper Door (Wardrobe)	3737	3737
	MCTL-3670 [ ]	36	70-1/4	24	Two Lateral Files with Upper Doors for Wardrobe/Shelf	5194	5194

[ ] Specify Left (-L) and Right (-R) support

80" Towers	Model #	Width	Height	Depth	Description	Price	
						Veneer Case/ Paint Front	All Veneer
						-VS	-V
<b>Merino Series</b>							
	MCTW-1280 [ ]	12	80	24	Wardrobe w/ Mirror	2897	2897
	MCTW-1880 [ ]	18	80	24	Wardrobe w/ Shoe Tray & Mirror	3386	3386
	MCTS-1880 [ ]	18	80	24	Full Height Door with 5 Shelves	3682	3682
	MCTSB-1880 [ ]	18	80	24	Box, Box, File with Upper Door (Shelves)	4087	4087
	MCTSF-1880 [ ]	18	80	24	File, File with Upper Door (Shelves)	4087	4087
	MCTWB-1880 [ ]	18	80	24	Box, Box, File with Upper Door (Wardrobe w/ Shoe Tray & Mirror)	4087	4087
	MCTWF-1880 [ ]	18	80	24	File, File with Upper Door (Wardrobe w/ Shoe Tray & Mirror)	4087	4087
	MCTR-3680 [ ]	36	80	24	Full Height Door with Wardrobe, Shoe Tray, 2 Box Drawers, Bag Hooks, 2 Shelves, & Mirror	5682	5682
	MCTL-3680 [ ]	36	80	24	Two Lateral Files with Upper Doors for Wardrobe/Shelf	5682	5682
<b>Conventional Series</b>							
	MCCSB-1880 [ ]	18	80	24	Box, Box, File with Upper Door (Shelves)	3923	3923
	MCCSF-1880 [ ]	18	80	24	File, File with Upper Door (Shelves)	3923	3923
	MCCWB-1880 [ ]	18	80	24	Box, Box, File with Upper Door (Wardrobe)	3923	3923
	MCCWF-1880 [ ]	18	80	24	File, File with Upper Door (Wardrobe)	3923	3923
	MCTL-3680 [ ]	36	80	24	Two Lateral Files with Upper Doors for Wardrobe/Shelf	5465	5465

[ ] Specify Left (-L) and Right (-R) support

## General Information & Options

### Options:

<b>Tower Locks</b>	-L	\$125
<b>No Lateral File Lock</b>	-NL	\$0
<b>Power in Box Drawer</b>	-PD	\$250
<b>No Leather in Box Drawer</b>	-NLBD	DEDUCT \$200 (per Tower)

### Pulls

- Applied Pull	-AP	No upcharge
- Integrated Pull	-IP	No upcharge
- Push-to-open (pedestal)	-P2P	\$1,050
- Push-to-open (lateral file)	-P2L	\$1,050

<b>Polished Chrome Pull</b>	-PCAP	\$150	(Upcharge per Tower)
-----------------------------	-------	-------	----------------------

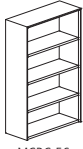

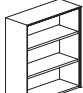
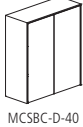
### REQUIRED INFORMATION: (ORDER CANNOT BE ENTERED WITHOUT THIS INFORMATION)

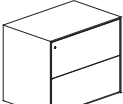
- Choose Wood Species & Finish: See page 8. (Available in Qtr Ash, Qtr Cherry, Rift Cut Oak, Qtr Walnut, Double Cut. Grain runs Horizontal)
- Choose Paint Color if applicable: See page 8.
- Choose Metal Finish if applicable: Cloud (A8004), Burnished (A8009), Foil (A8006), Shadow (A8005), or Galaxy (A8007)
- Choose Leather Finish if applicable: See Page 12: Choose Spinneybeck Vincenza or Spinneybeck Volo colors from page 12. (If not specified default is Spinneybeck Vincenza 2122 Cinque Terre)

### General Information:

- Grain direction runs horizontal
- Specify left to right support and outfit every inch of space with either pedestals or a combination of pedestals, corner support, back \ panels, or no back panels.
- Towers are standard without a lock
- 36" wide 2 Lateral Files are standard with a lock on the drawers and upper door
- Merino Series Box/Box/file pedestals include a pencil tray in upper box drawers.
- Merino Series Towers have painted drawer boxes, undermount slides, low-profile hanger rails, and soft-close feature.
- Merino Series Box Drawers are leather lined and include polished dividers. Leather finish MUST be specified. Leather can be optioned off by specifying -NLB option.
- Conventional Series Towers have maple drawer boxes and side mount slides; Conventional Series Pedestals can ONLY be specified with Applied or Integral Pulls
- Coat rod, coat hanger, and a mirror (13.5" w x 21" h) is included in all Towers with a Wardrobe; Wardrobe only Towers also include a pull out Shoe Tray at the bottom of the Wardrobe
- Full-Height Doors and Upper Doors on Towers are standard with Touch Latch mechanism, specify pull option for Box and File drawers.
- Push-to-open pull option on pedestals requires access to an electrical outlet.

# Freestanding Bookcases, Lateral Files & Mobile Pedestals

Bookcases	Model #	Width	Height	Depth	Description	Price	
						Veneer Case/ Paint Front -VS	All Veneer -V
 MCBC-56	<b>Freestanding - Open</b>						
	MCBC-29	36	29-1/2	14-1/4	2 High	-	1441
	MCBC-42	36	40-1/4	14-1/4	3 High	-	1705
	MCBC-56	36	53-1/4	14-1/4	4 High	-	1937
	MCBC-70	36	70-1/4	14-1/4	5 High	-	2184
	MCBC-80	36	80	14-1/4	6 High	-	2372
 MCBC-D-56	<b>Freestanding - Doors</b>						
	MCBC-D-29	36	29-1/2	14-1/4	2 High	1901	1901
	MCBC-D-42	36	40-1/4	14-1/4	3 High	2146	2146
	MCBC-D-56	36	53-1/4	14-1/4	4 High	2394	2394
	MCBC-D-70	36	70-1/4	14-1/4	5 High	2646	2646
	MCBC-D-80	36	80	14-1/4	6 High	2793	2793
 MCSBC-40	<b>Stacking - Open</b>						
	MCSBC-23	36	23-3/4	14-1/4	2 High	-	1343
	MCSBC-40	36	40-3/4	14-1/4	3 High	-	1654
	MCSBC-55	36	55	14-1/4	4 High	-	1860
 MCSBC-D-40	<b>Stacking - Doors</b>						
	MCSBC-D-23	36	23-3/4	14-1/4	2 High	1708	1708
	MCSBC-D-40	36	40-3/4	14-1/4	3 High	2103	2103
	MCSBC-D-55	36	55	14-1/4	4 High	2365	2365

Lateral Files	Model #	Width	Height	Depth	Description	Price	
						Veneer Case/ Paint Front -VS	All Veneer -V
 MCLF-2	MCLF-2	36	29-1/2	24	2 High	3722	3722
	MCLF-3	36	40-1/4	24	3 High	4464	4464
	MCLF-4	36	53-1/4	24	4 High	4821	4821
	MCLF-5	36	70-1/4	24	4 High with Upper Door	5350	5350
	MCLF-6	36	80	24	4 High with Upper Door	5672	5672

Mobile Pedestal	Model #	Width	Height	Depth	Price	
					Veneer Case/ Paint Front -VS	All Veneer -V
 MCMP-BF-18	MCMP-BF-18	18	22 7/8	22	2394	2394

Seat Cushion	Model #	Width	Height	Depth	Yardage	COM	Price: Fabrics							
							A	B	C	D	E	F	G	H
	MCSC-1	18	1 1/2	22	1	246	313	342	390	437	484	515	562	588

## General Information & Options

### Options:

- Bookcase Lock** -LO \$125
- No Lateral File Lock** -NL \$0
- No Leather in Box Drawer** -NLBD DEDUCT \$200 (per Pedestal)

### Pulls

- Applied Pull -AP No upcharge
- Integrated Pull -IP No upcharge

**Polished Chrome Pull** -PCAP \$150 (Upcharge per Pedestal)

### REQUIRED INFORMATION: (ORDER CANNOT BE ENTERED WITHOUT THIS INFORMATION)

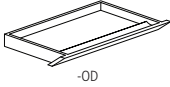
- Choose Wood Species & Finish: See page 8. (Available in Qtr Ash, Qtr Cherry, Rift Cut Oak, Qtr Walnut, Double Cut. Grain runs Horizontal)
- Choose Paint Color if applicable: See page 8.
- Choose Metal Finish if applicable: Cloud (A8004), Burnished (A8009), Foil (A8006), Shadow (A8005), or Galaxy (A8007)
- Choose Leather Finish if applicable: See Page 12: Choose Spinneybeck Vincenza or Spinneybeck Volo colors from page 12. (If not specified default is Spinneybeck Vincenza 2122 Cinque Terre)

### General Information:

- Grain direction runs horizontal
- Lateral files and mobile pedestal are standard with a lock
- Merino Series Lateral Files have painted drawer boxes, sidemount slides, low profile hanger rails, and a soft close feature
- Recessed casters are standard on Mobile Pedestal
- Bookcases are standard without a lock.
- Merino Series Box/Box/file pedestals include a pencil tray in upper box drawers.
- Merino Series Pedestals have painted drawer boxes, undermount slides, low-profile hanger rails, and soft-close feature.
- Merino Series Box Drawers are leather lined and include polished dividers. Leather finish MUST be specified. Leather can be optioned off by specifying -NLB option.
- Conventional Series pedestals have maple drawer boxes and side mount slides; Conventional Series Pedestals can ONLY be specified with Applied or Integral Pulls
- Lateral Files and Mobile Pedestal NOT available with push-to-open pull option
- Doors are standard with a Touch Latch Mechanism and cannot be specified with other pull options. Pulls must be specified for Box and File drawers.

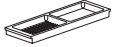
# Accessories

Organizer Drawer	Model #	Width	Height	Depth	Description	Price
	-OD	18	1-7/8	15	Organizer Drawer	850



-OD

Pencil Tray	Model #	Width	Height	Depth	Description	Price
	CVA-PT	6	1-1/4	18-1/4	Pencil Tray	105



CVA-PT

Coat Hanger	Model #	Description	Price
	CH-100	Coat Hanger	120

## General Information & Options


### REQUIRED INFORMATION: (ORDER CANNOT BE ENTERED WITHOUT THIS INFORMATION)


- Choose Wood Species & Finish: See page 8. (Available in Qtr Ash, Qtr Cherry, Rift Cut Oak, Qtr Walnut, Double Cut. Grain runs Horizontal)
- Choose Leather Finish if applicable: See Page 12: Choose Spinneybeck Vincenza or Spinneybeck Volo colors from page 12. (If not specified default is Spinneybeck Vincenza 2122 Cinque Terre)


### General Information:

- Organizer drawer can only be specified below Desks, Returns, Bridges, and Credenzas
- Organizer drawer cannot be installed below a Leather Power Blotter

# Merino Collection Meeting Tables

Round	Model #	Diameter	Base Qty	Top Sections	Recommended Seating Capacity	Veneer Top		Glass Top		Stone Top	
						Polished Stainless Leg/ Painted Shroud	Polished Stainless Leg/ Veneer Shroud	Polished Stainless Leg/ Painted Shroud	Polished Stainless Leg/ Veneer Shroud	Polished Stainless Leg/ Painted Shroud	Polished Stainless Leg/ Veneer Shroud
						-VP	-VV	-GP	-GV	-SP	-SV
 <p>MCRQ-42</p>	MCRQ-36	36	1	1	3	3011	3011	4215	4215	6955	6955
	MCRQ-42	42	1	1	4	3227	3227	4518	4518	7455	7455
	MCRQ-48	48	1	1	5	3439	3439	4815	4815	7945	7945
	MCRQ-54	54	1	1	6	3652	3652	5113	5113	8436	8436

Square	Model #	D x W	Base Qty	Top Sections	Recommended Seating Capacity	Veneer Top		Glass Top		Stone Top	
						Polished Stainless Leg/ Painted Shroud	Polished Stainless Leg/ Veneer Shroud	Polished Stainless Leg/ Painted Shroud	Polished Stainless Leg/ Veneer Shroud	Polished Stainless Leg/ Painted Shroud	Polished Stainless Leg/ Veneer Shroud
						-VP	-VV	-GP	-GV	-SP	-SV
 <p>MCSQ-48</p>	MCSQ-48	48 x 48	1	1	4	3439	3439	4815	4815	7945	7945
	MCSQ-54	54 x 54	1	1	4	3652	3652	5113	5113	8436	8436

Ellipse	Model #	D x W	Base Qty	Top Sections	Recommended Seating Capacity	Veneer Top		Glass Top		Stone Top	
						Polished Stainless Leg/ Painted Shroud	Polished Stainless Leg/ Veneer Shroud	Polished Stainless Leg/ Painted Shroud	Polished Stainless Leg/ Veneer Shroud	Polished Stainless Leg/ Painted Shroud	Polished Stainless Leg/ Veneer Shroud
						-VP	-VV	-GP	-GV	-SP	-SV
 <p>MCEL-4278</p>	MCEL-3872	38 x 72	1	1	6	6285	6285	8127	8127	13410	13410
	MCEL-4278	42 x 78	1	1	6	6729	6729	8749	8749	14436	14436
	MCEL-4884	48 x 84	1	1	8	7221	7221	9437	9437	-	-

## General Information & Options

### Options:

<b>Painted Grommet</b>	-MCGC	\$125
<b>Polished Chrome Grommet</b>	-PCG	\$175
<b>Tech Node</b>	-PUP	\$331

### REQUIRED INFORMATION: (ORDER CANNOT BE ENTERED WITHOUT THIS INFORMATION)

- Choose Wood Species & Finish: See page 8. (Available in Qtr Ash, Qtr Cherry, Rift Cut Oak, Qtr Walnut, Double Cut)
- Choose Metal Finish if Painted Grommet option is specified: Cloud (A8004), Burnished (A8009), Foil (A8006), Shadow (A8005), or Galaxy (A8007)
- Choose Paint Color if Painted Shroud is specified: See page 8
- Choose Glass Finish if applicable: Back-painted Satin or Gloss in White (WS,WG), Meringue (MS,MG), Quill (QS,QG), or Clove (VS,VG)

### General Information:

- Base is Polished Stainless Steel
- Tech Node option includes two simplex receptacles and two voice/data openings  
Voice / data modules for Tech Node must be ordered separately; contact your local AV integrator  
Tech node is UL Listed  
Tech Node finish will be Clear Anodized



MERINO COLLECTION PLANNING GUIDE + PRICE LIST  
January 2014



5151 West River Drive  
Comstock Park, MI 49321  
877.NUCRAFT  
nucraft.com

NUCRAFT