

Tavola Standing Height Table and Credenza Installation Instructions

For installation assistance, call the following numbers:
Between 8:00am and 5:00pm (Eastern time): 1-800-NUCRAFT (1-800-682-7238)
Between 5:00pm and 8:00pm (Eastern time): 1-888-886-2028

NUCRAFT

Tools Required and Initial Notes

Tools Required For Assembly

- 2 People
- Cordless Drill
- #2 and #3 Phillips Bit
- Level (Laser Level is best)
- PODS for handling Glass if Glass table is ordered

Glass Pods



Initial Notes

- Pictures in instructions may not represent the exact unit being installed
- Read all instructions thoroughly prior to beginning the installation
- If a glass table is ordered it is HIGHLY recommended to use PODS as noted above when handling the glass panels
- Credenzas ordered with Wood panels will come fully assembled and can be set in place and leveled. No additional installation is required.

Hardware Included

1. #10 X 2.25", PH, PHIL (Shipped with Credenzas)

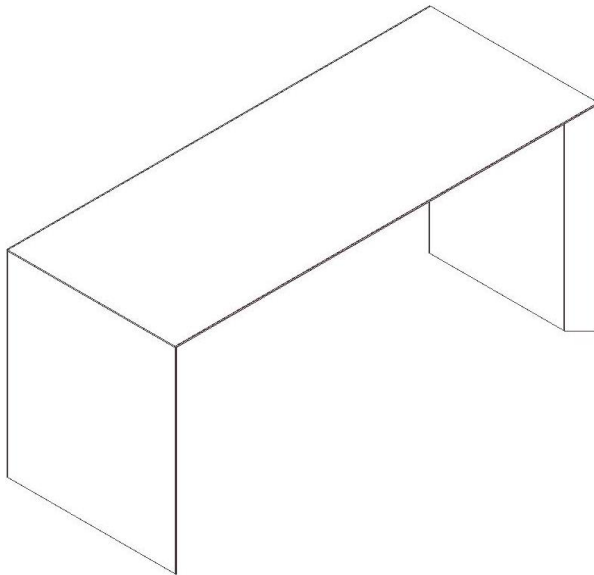


2. #10 X 1.75", PH, PHIL (Shipped with Standing Height tables)



Tavola Standing Height Table and Credenza

Standing Height Table



Credenza

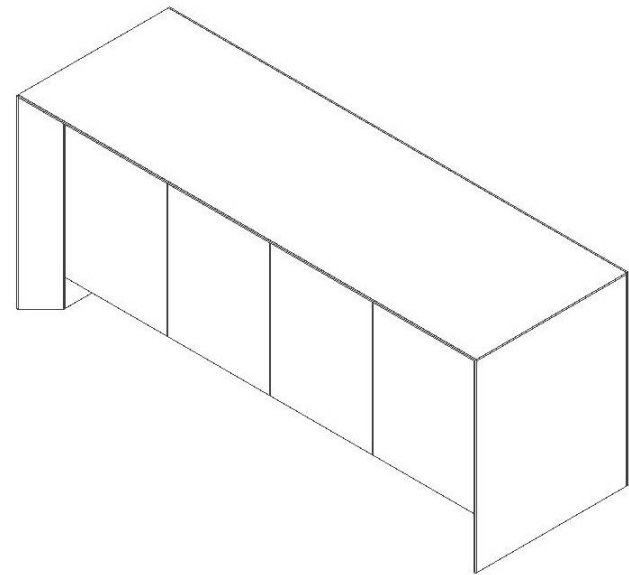


Tavola Standing Height Table Exploded view

Tavola Standing Height Table Typical Parts Description

1. Standing Height Frame
2. Standing Height Sides (2 pcs) (Removable)
3. Standing Height Top

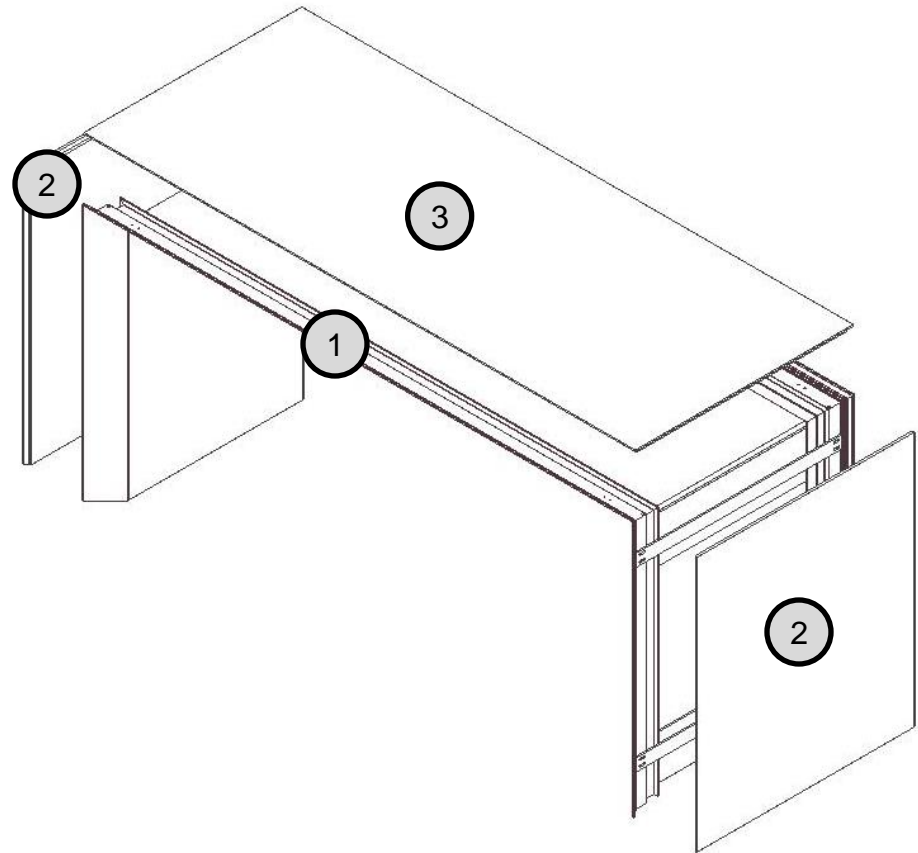
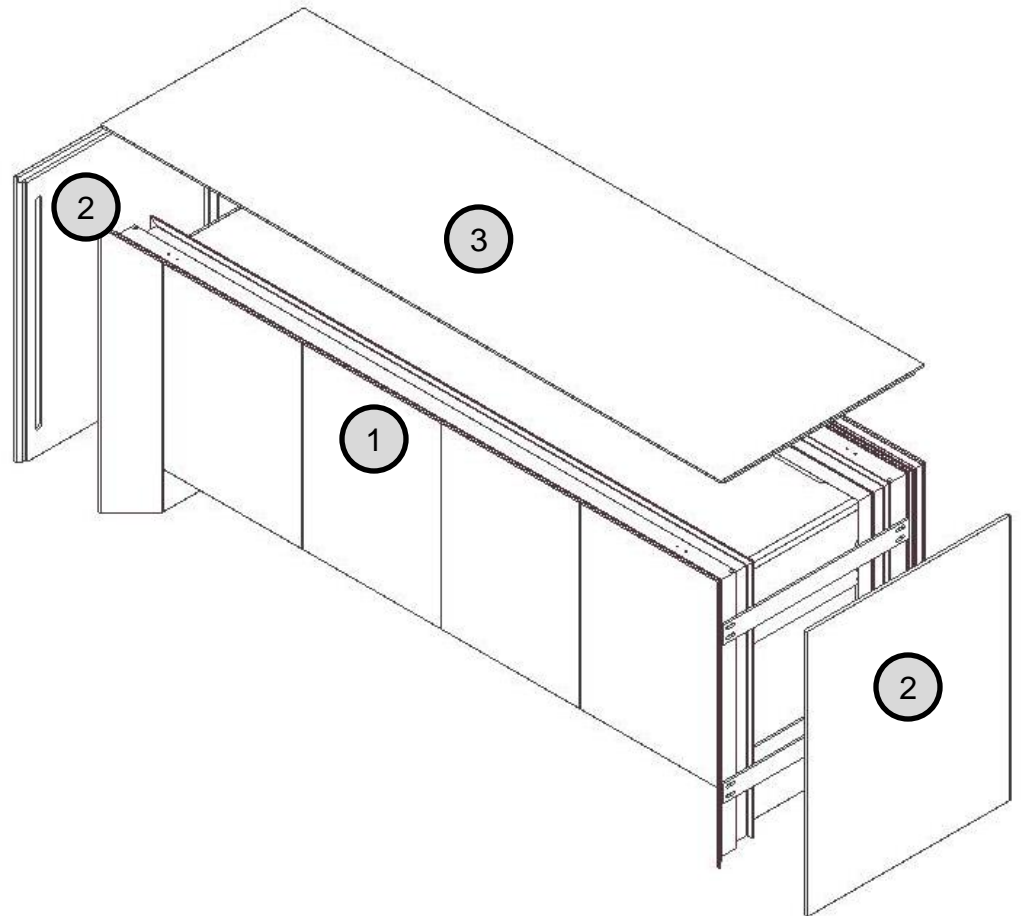


Tavola Credenza Exploded view

Tavola Standing Height Table Typical Parts Description

1. Credenza Case
2. Credenza Sides (2 pcs) (Removable)
3. Credenza Top

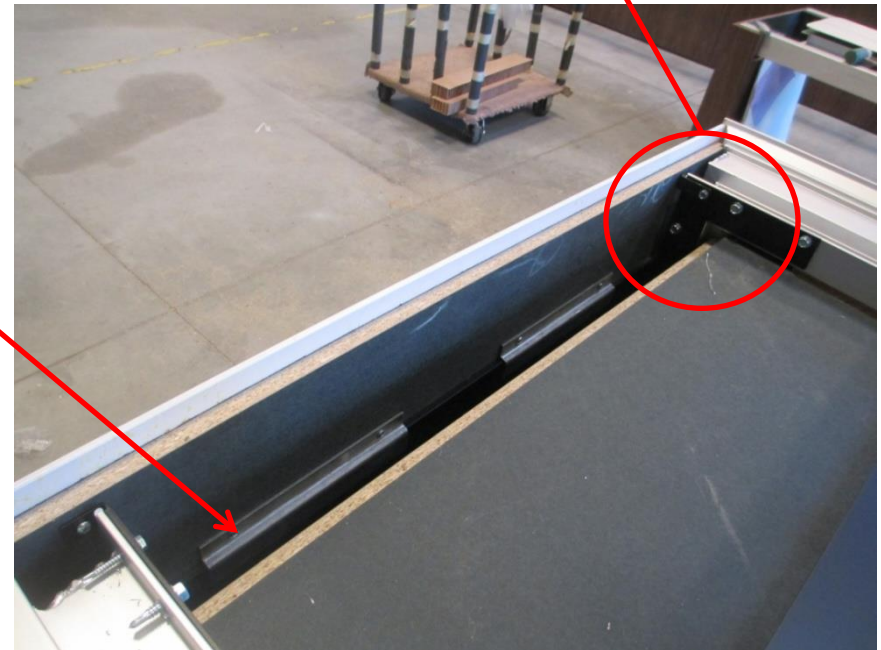


Installation Step 1- Placement and Levelling

- Set the table base in the desired location
- Use a 4 or 6 foot level to Level the table base by turning the glides on the bottom of the table using a glide wrench or lifting the base to turn them by hand.

Installation Step 2 - Removing Side panels for base access

- If there are any wires to be run or access is needed to the base of the table / credenza then the side panels can be removed BEFORE the top is installed.
- Remove the L-Bracket from the metal frame. See the upper photo to the right of a blown up view of the L-bracket
- The side panels hang on the frame using Z-bracket material so they can just be lifted off.



Installation Step 3 - Top Installation

- With the unit in place and level remove the cardboard and place the top between the extrusion assuring that the labels on the top and the base match. For glass tables it is **HIGHLY** recommended that glass pods are used to handle the glass. Avoid contact between the glass and the extrusion as this will cause chipped glass and paint to be scratched off the glass.
- Using hardware item #1 screw the top down to the frame. These screws go through the panel on the underside of the unit / case and into blocks that are fastened to the top panel. See photo to the right of a credenza. This step is the same for a standing height table. **This is important to avoid warping of the panels**

