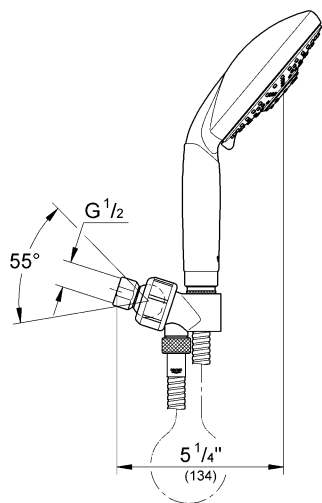
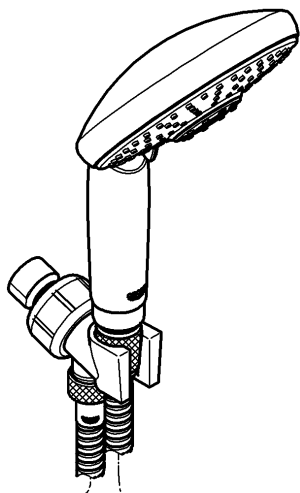


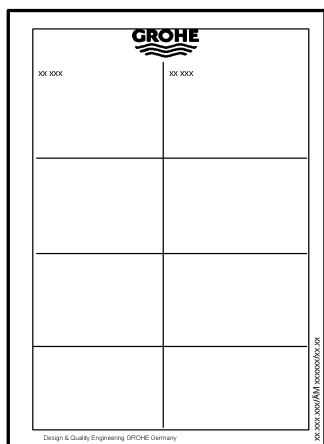
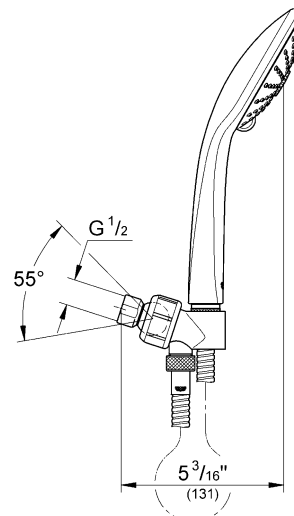
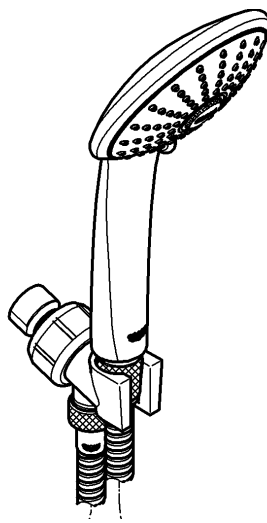


ENJOY WATER®

27 679



27 680

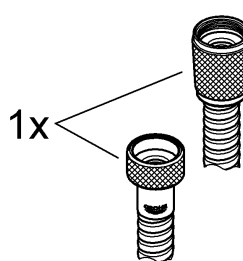


1x

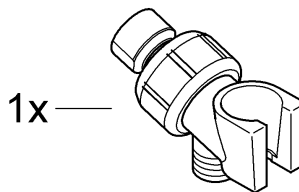


1x

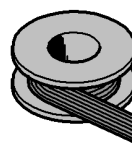
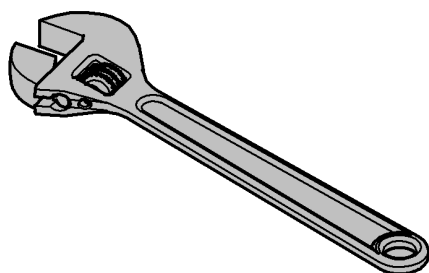
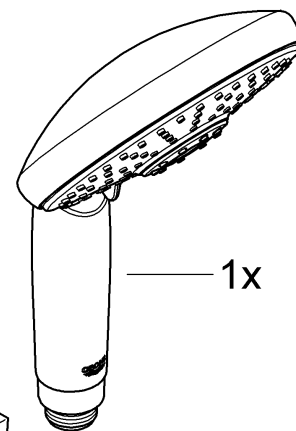
1x



1x



1x



Thread Seal Tape
Ruban pour joint filetés
Cinta de roscas



ENJOY WATER®

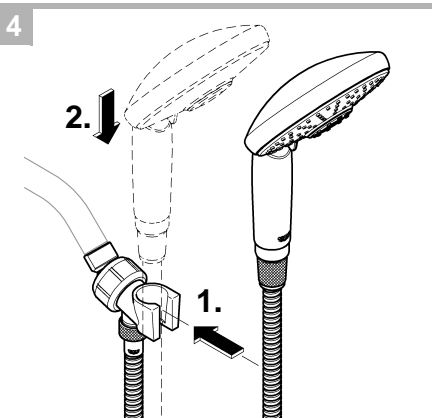
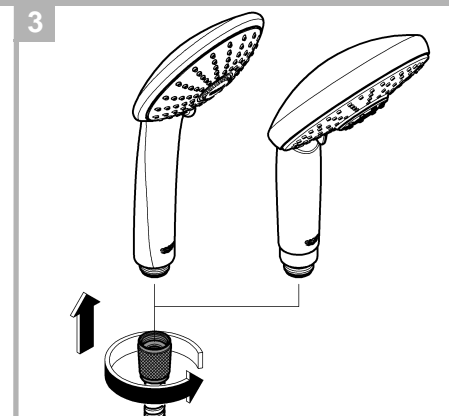
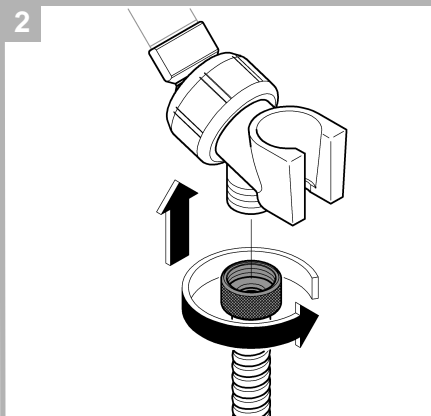
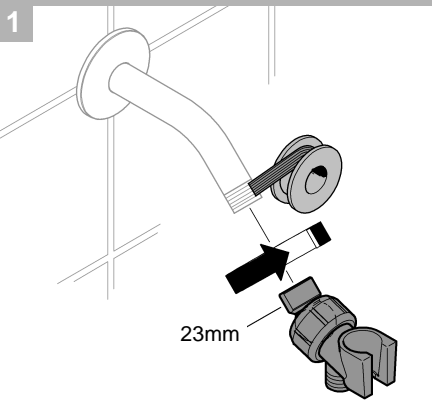
Installation



Montage



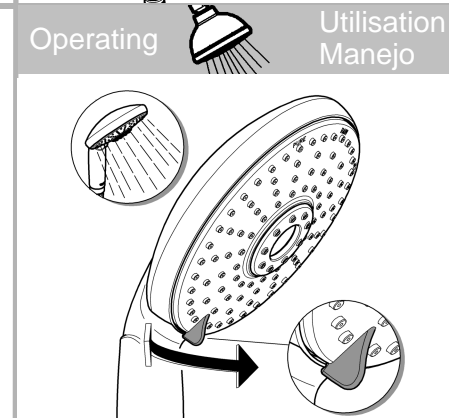
Instalación



Max. flow:
- 9.5 L/min or 2.5 gpm/80 psi

Débit maxi.:
- 9,5 l/min or 2,5 g/min/5,5 bar

Caudal máx.:
- 9.5 L/min o 2.5 gpm/80 psi



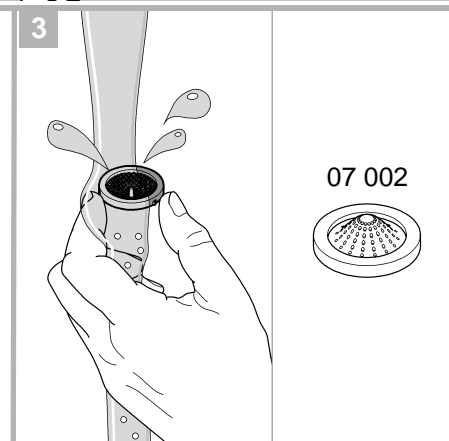
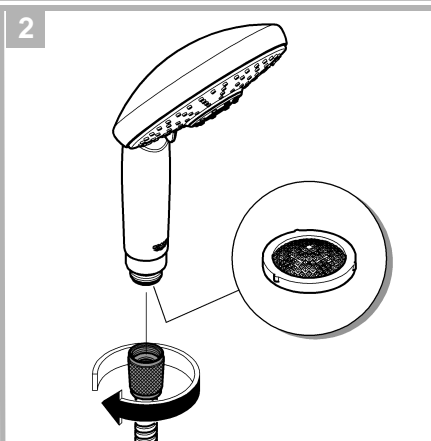
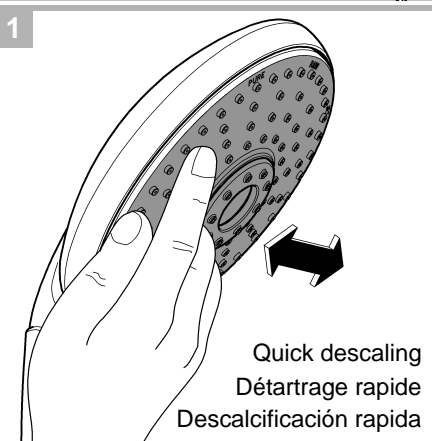
Maintenance shower



Maintenance douche



Mantenimiento ducha



www.grohe.com

Grohe America Inc.
241 Covington Drive
Bloomington, IL
60108
U.S.A.
Technical Services
Phone: 630/582-7711
Fax: 630/582-7722



Grohe Canada Inc.
1230 Lakeshore Road East
Mississauga, Ontario
Canada, L5E 1E9
Technical Services
Services Techniques
Phone/Tél: 905/271-2929
Fax/Télécopieur: 905/271-9494