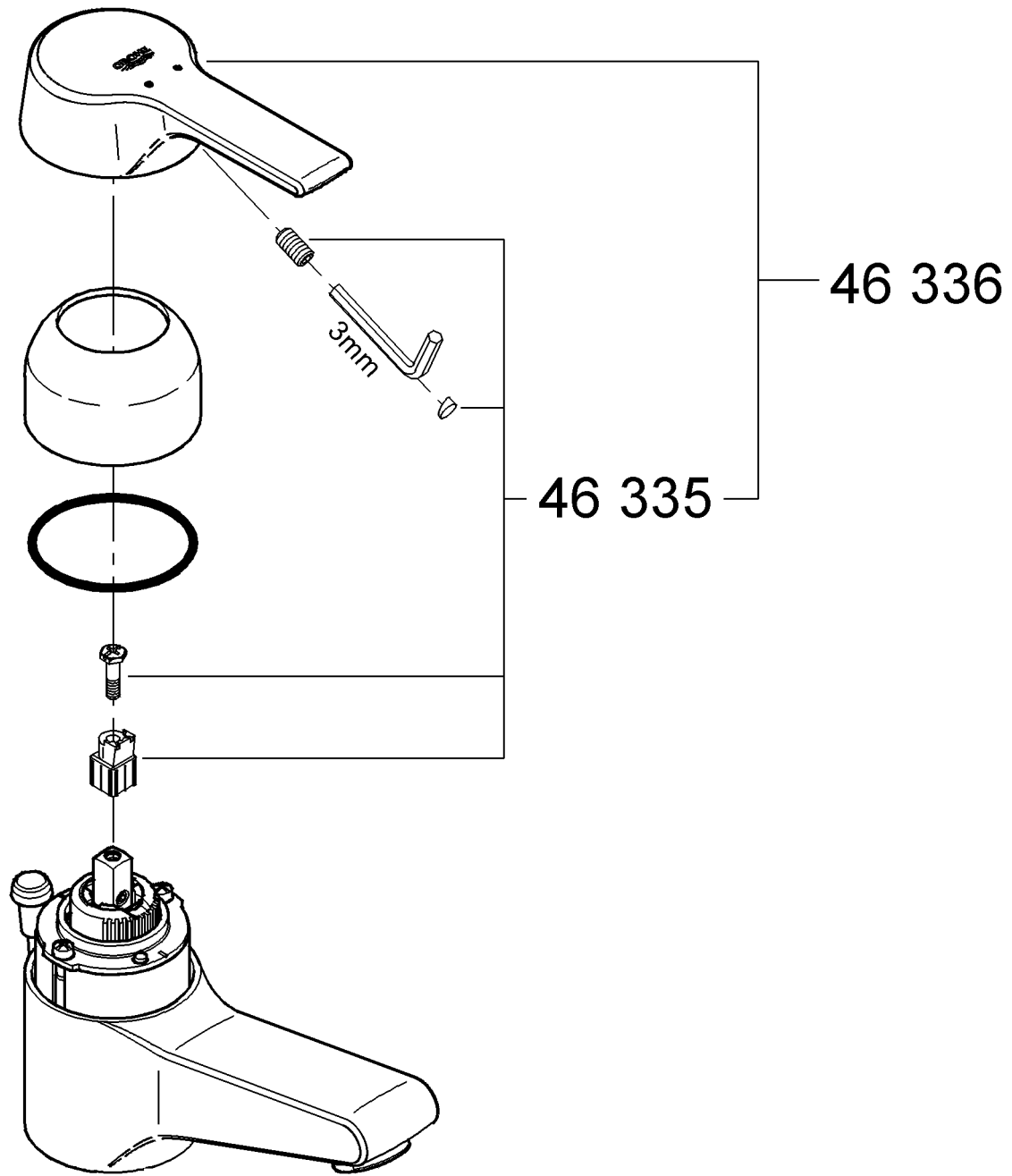




WATER TECHNOLOGY

46 335
46 336



95.844.031/ÄM 30 229/01.01