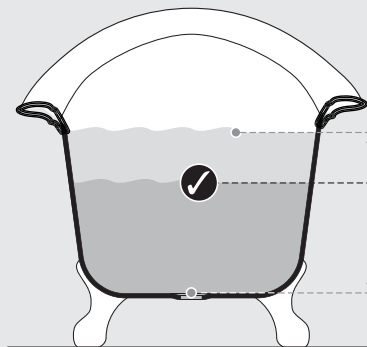
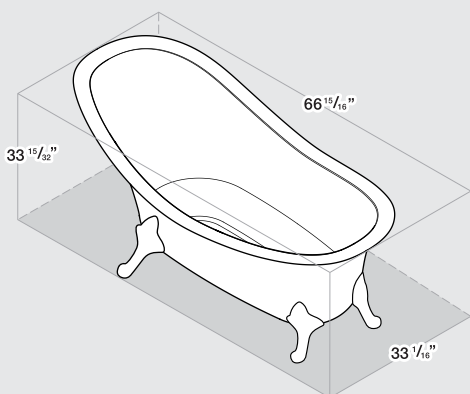
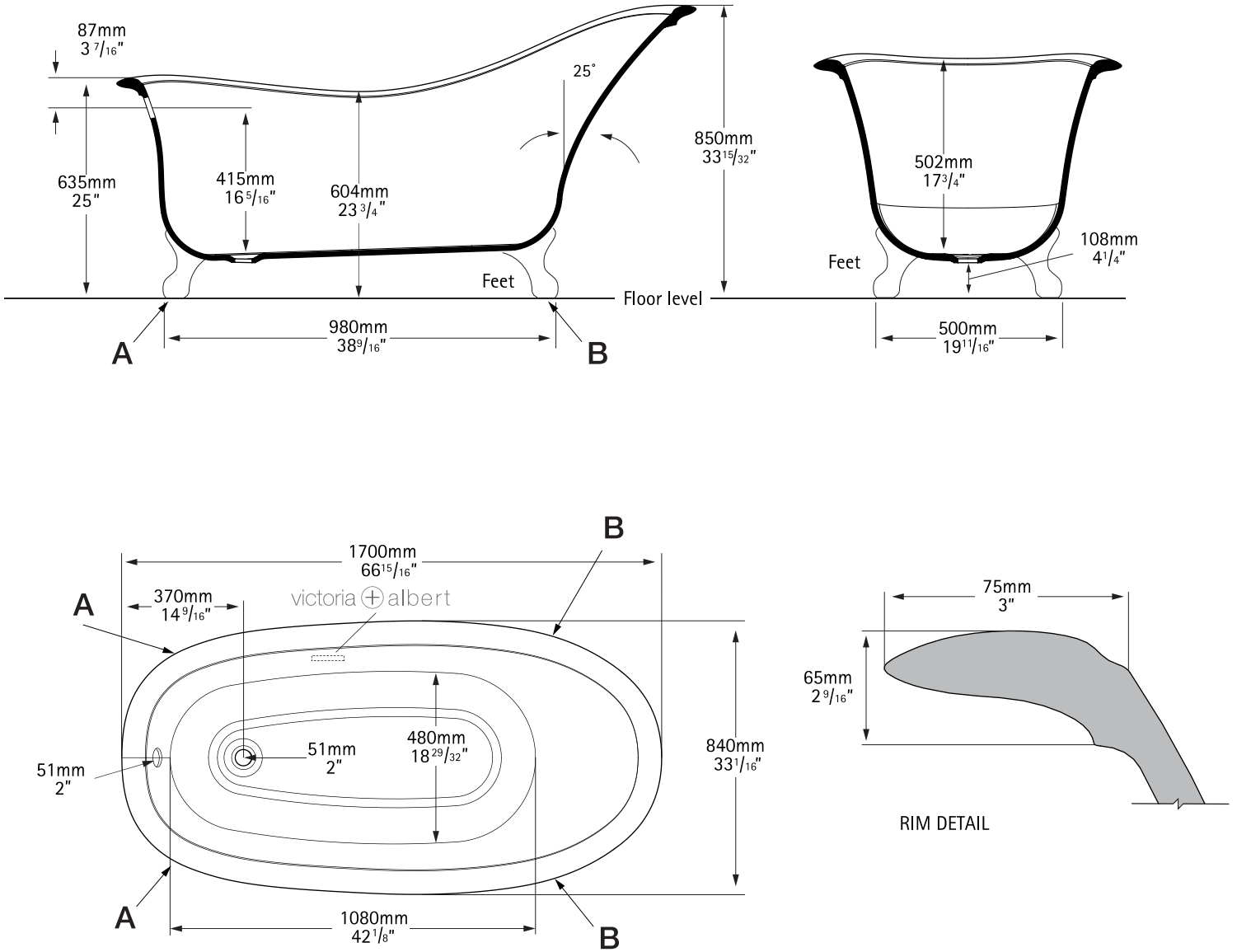


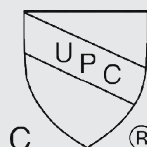
Drayton DRA-N-SW



579 lbs	52 gallons
394 lbs	30 gallons
143 lbs	0 gallons



.dwg | .dxf | .skp www.vandabaths.com



Listed by IAPMO
R&T File # 6574