

**CHICAGO FAUCETS**  
a Geberit company

2100 South Clearwater Drive  
Des Plaines, IL 60018  
Phone: 847-803-5000  
Fax: 847-803-5454  
www.chicagofaucets.com

**REPAIR PARTS**

FITTING NO.

**923-GCLCP**

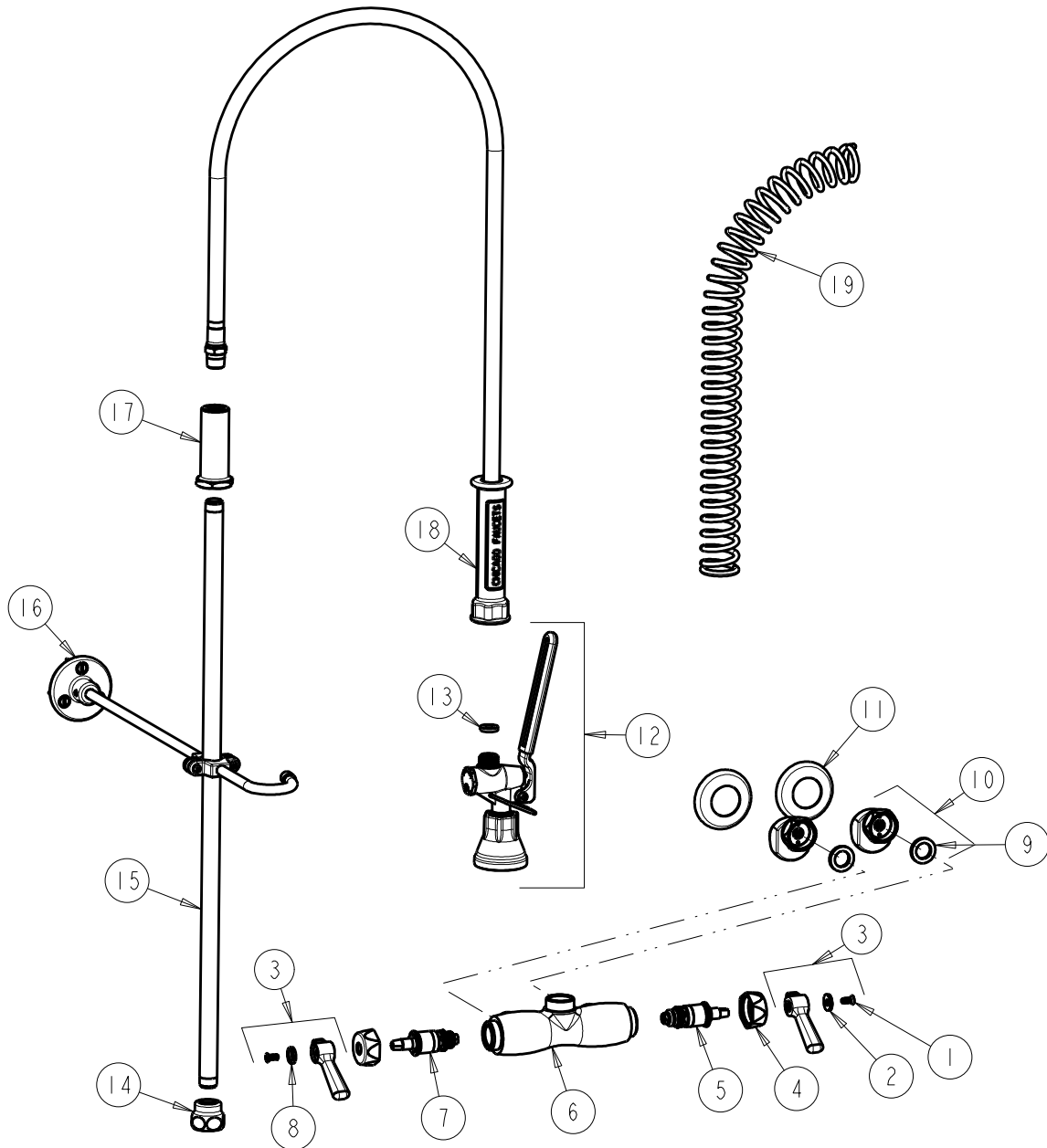
SUBMITTED MODEL NO.

ITEM NO.

**FOR TECHNICAL ASSISTANCE**  
1-800-TEC-TRUE (1-800-832-8783)

BY: JAR DATE: 09-13-06

CHK: *[Signature]* REV: 05-17-11



ITEM	PART NO.	DESCRIPTION	ITEM	PART NO.	DESCRIPTION
1	420-010JKRCF	SCREW, 10-32 UNC PH 1/2	11	1-055JKCP	FLANGE
2	633-123JKNF	INDEX BUTTON (BLUE)	12	90-LABCP	PRE-RINSE VALVE, LOW FLOW
3	369-PRJKCP	LEVER HANDLE ASSEMBLY (PAIR)	13	919-243JKNF	GASKET, .685 X .375 X .125
4	444-005JKCP	CAP	14	BA2JKCP	ADAPTER 3/8 NPT X 1 1/16-18 UNEF
5	1-099XTJKNF	QUATURN UNIT (RH)	15	919-039JKCP	3/8" NPT X 23" RISER
6	-----	VALVE BODY (NOT SOLD SEPARATELY)	16	902-MHJKCP	PIPE STRAP AND HOOK ASSEMBLY
7	1-100XTJKNF	QUATURN UNIT (LH)	17	919-038JKCP	GUIDE SHANK
8	633-023JKNF	INDEX BUTTON (RED)	18	83-44NF	44" HOSE AND HANDLE ASSEMBLY
9	1-011JKNF	WASHER, .97 X .62 X .12	19	919-014JKCP	SPRING
10	GCJKCP	OFFSET ARM (WITH CHECK VALVE)	20		