

CHICAGO FAUCETS
a Geberit company

2100 South Clearwater Drive
Des Plaines, IL 60018
Phone: 847-803-5000
Fax: 847-803-5454
www.chicagofaucets.com

REPAIR PARTS

FITTING NO.

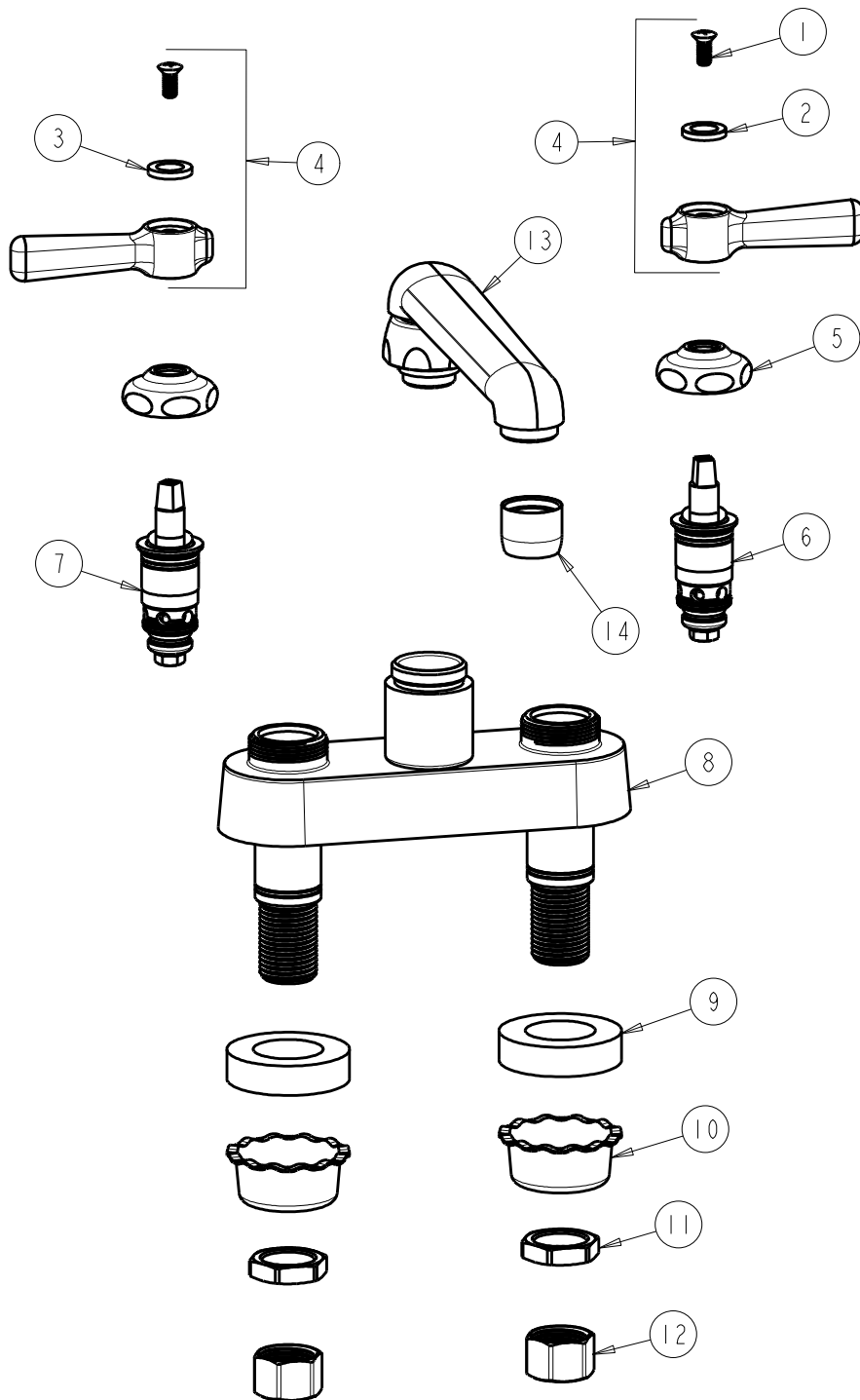
891-E35ABCP

SUBMITTED MODEL NO.

ITEM NO.

FOR TECHNICAL ASSISTANCE
1-800-TEC-TRUE (1-800-832-8783)

BY: SID DATE: 07-02-12
CHK: *[Signature]* REV:



ITEM	PART NO.	DESCRIPTION	ITEM	PART NO.	DESCRIPTION
1	420-010JKRCF	SCREW, 10-32 UNC PH 1/2	8	---	VALVE BODY (NOT SOLD SEPERATELY)
2	633-123JKNF	INDEX BUTTON (BLUE)	9	555-313JKNF	WASHER
3	633-023JKNF	INDEX BUTTON (RED)	10	1797-114JKNF	BASIN COCK WASHER
4	369-PRJKCP	LEVER HANDLE ASSEMBLY (PAIR)	11	49-004JKRBF	LOCKNUT
5	1-214JKCP	CAP	12	49-005JKRBF	COUPLING NUT
6	1-099XTJKABNF	QUATURN CARTRIDGE (RH)	13	S6LESSE3JKCP	SPOUT
7	1-100XTJKABNF	QUATURN CARTRIDGE (LH)	14	E35JKCP	SOFTFLO AERATOR 1.5 GPM