

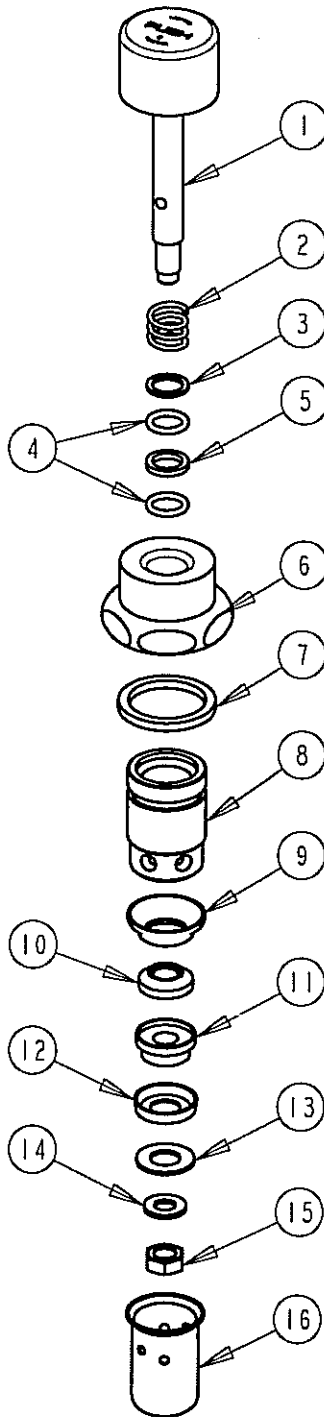
PARTS LIST

BY: SID
CHK'D: *[Signature]*



FINISH: AS SPECIFIED
DATE: 11-22-02

333-XPSH



ITEM NO.	PART NO.	DESCRIPTION	ITEM NO.	PART NO.	DESCRIPTION
1	333-244K	BUTTON ASSEMBLY, PUSH	9	1-027	MONEL SEAT
2	395-018	SPRING	10	244-006	RUBBER SEAT WASHER
3	319-012	BRASS WASHER	11	333-026	RETAINER
4	319-140	O-RING	12	333-040A	RUBBER WASHER
5	319-035	LEATHER WASHER	13	333-039	WASHER
6	319-003	CAP NUT	14	1-031	STEM WASHER
7	1-043A	GASKET	15	333-097	STEM NUT
8	433-042	SLEEVE	16	333-075	DASHPOT