

# PARTS LIST

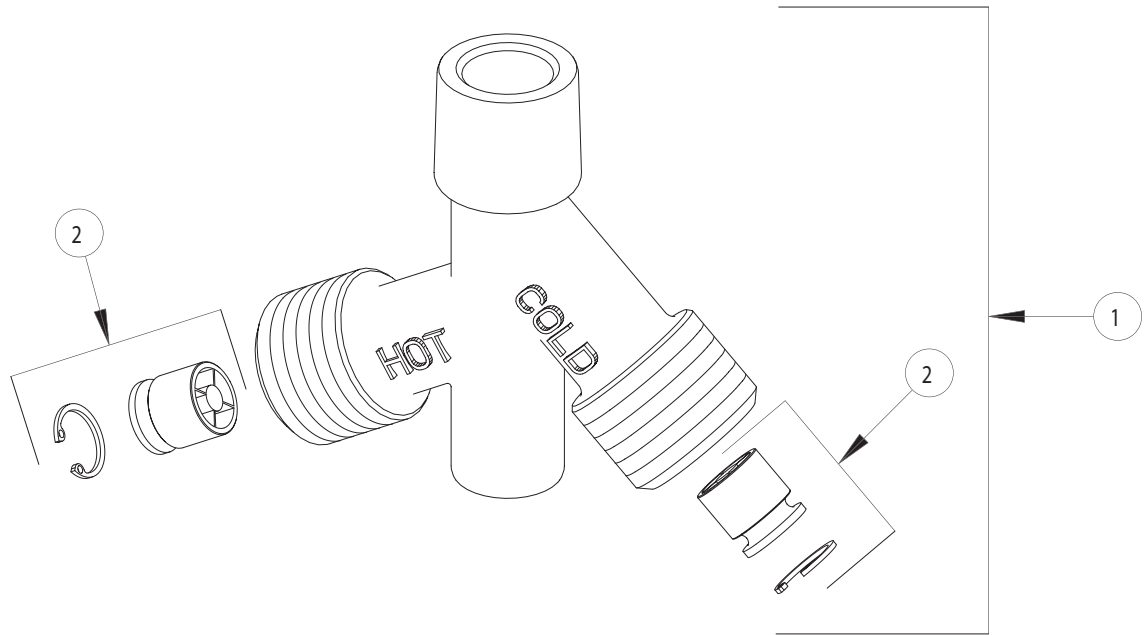
BY: SID  
CHK'D:



FINISH:  
DATE:

AS SPECIFIED  
01-02-02

560-045K



ITEM NO.	PART NO.	DESCRIPTION
1	560-045K	MIXING 'Y' ASSEMBLY
2	550-009K	CHECK CARTRIDGE ASSEMBLY