

CHICAGO FAUCETS

Last As Long As The Building



2100 SOUTH CLEARWATER DRIVE
DES PLAINES, ILLINOIS 60018-5999

FITTING NO.

205

SUBMITTED MODEL NO.

JOB NAME

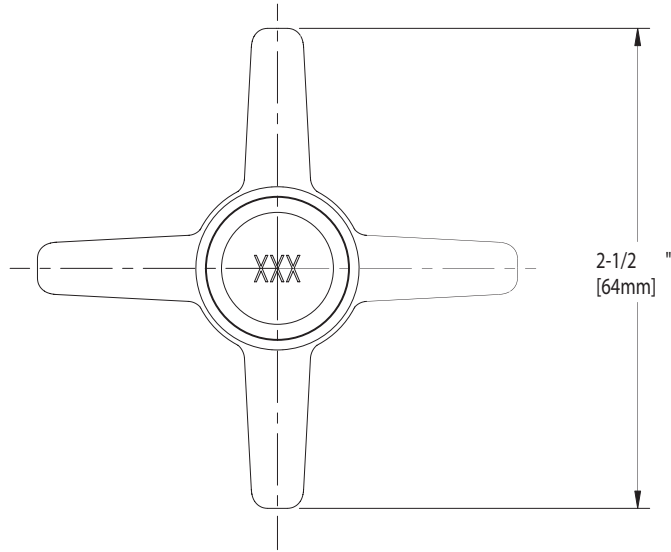
ITEM NO.

SUBMITTED AS SHOWN

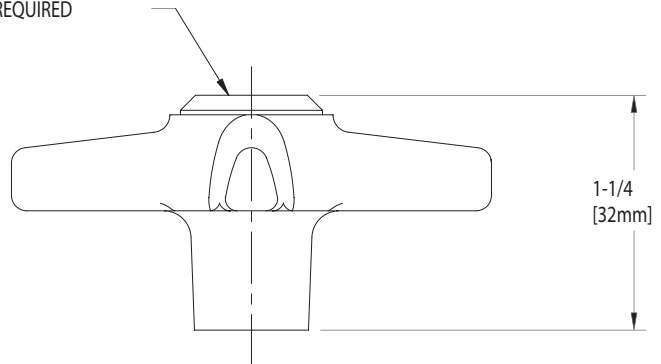
SUBMITTED AS NOTED

SEE ATTACHED FOR
SUBMITTED MODIFICATION

IS ASSUMED FOR USE OF SUPERCEDED OR VOIDED DATA.



INDEX AS REQUIRED



DIMENSIONS IN INCHES AND [MILLIMETERS].

TECHNICAL DATA

- 4-ARM CROSS HANDLE
- 2-1/2" DIAMETER
- BLACK NYLON CONSTRUCTION

DATE: 1-5-03

BY: JAR

CHK'D:

APP'D:

REV: A

205

ROUGHING IN DIMENSIONS MAY VARY AND ARE SUBJECT TO CHANGE. NO RESPONSIBILITY