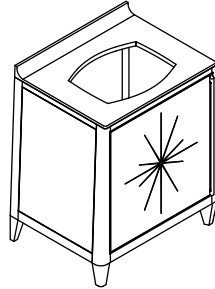


KALLISTA®

Wooden Vanity & Pre-Cut Marble Top

INSTALLATION INSTRUCTIONS



**P73063, P73066,
P73067**

INSTALLATION INSTRUCTIONS

THANK YOU FOR CHOOSING KALLISTA

We appreciate your commitment to KALLISTA quality products. Please take a moment to review this manual before you install your KALLISTA product. If you encounter any installation or performance problems, please do not hesitate to contact us at the phone number listed at the bottom of the page.

BEFORE YOU BEGIN

- These instructions are for installing the wooden vanity cabinet (P73066 or P73067) and pre-cut marble vanity top (P73063).
- Observe all local plumbing and building codes.
- Prior to installation, unpack the new vanity and marble top and inspect them for damage. Return the vanity and marble top to their protective cartons until you are ready to install them.
- Refer to the vanity specification sheet for P-trap and supply location recommendations. Verify your supply valves and P-trap will not interfere with the shelf and drawer. Install the water supply and drain lines. The water supply nipples must extend 3" (7.6 cm) beyond the finished wall material.
- These instructions are for installing the wooden vanity cabinet to wood frame construction. For other installations, supply suitable bracing and fastening devices of sufficient size and strength.
- Provide 2x6 backing material in the finished wall. The height from the top of the 2x6 backing material to the floor must be 36-1/4" (92.1 cm).
- This installation is recommended to be done with a minimum of two people.
- All dimensions given assume that the floor and walls are square, plumb, and level. Make appropriate adjustments for other conditions.
- Remove any moldings that may inhibit the vanity from being flush against the finished wall.
- Make sure the path of the door will not be obstructed as it swings open.
- KALLISTA reserves the right to make revisions in the design of products without notice, as specified in the Price Book.

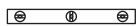
TOOLS AND MATERIALS



Tape Measure



Pencil



Level



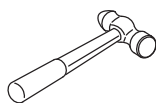
Drill



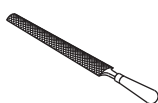
Hex Wrench



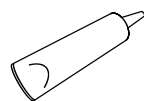
Safety Glasses



Hammer



File



Clear 100% Silicone Sealant or Caulk

Plus

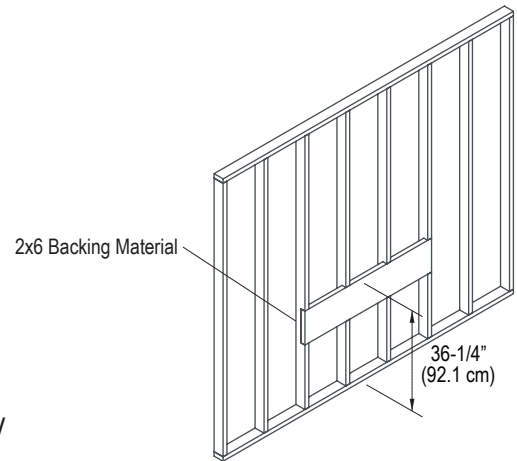
- Conventional woodworking tools and materials, as appropriate
- Hole Saw
- Wood Screws
- Screwdriver

INSTALLATION INSTRUCTIONS

1. WALL PREPARATION

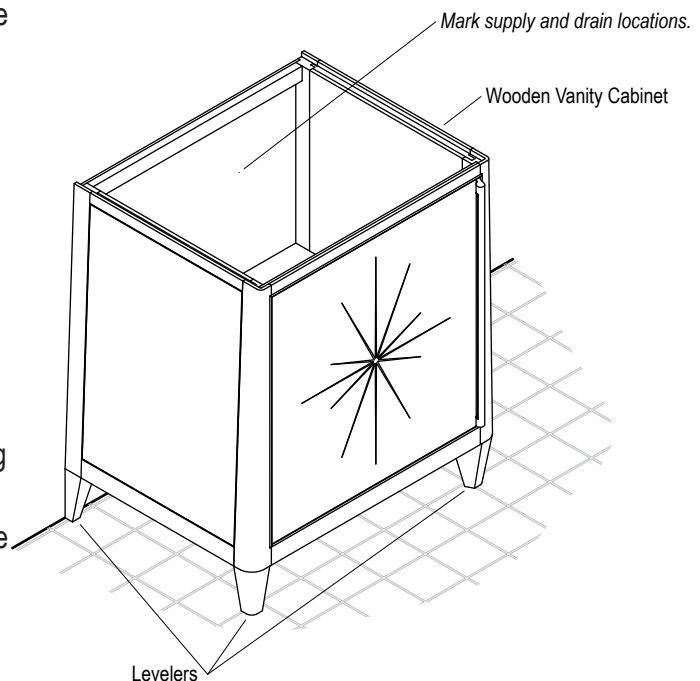
- Measure and mark 36-1/4" (92.1 cm) up from the floor. This will be the height from the top of the 2x6 backing material to the floor.
- Secure the 2x6 backing material to the studs with framing nails.
- Install the water supply and drain lines. The water supply nipples must extend at least 3" (7.6 cm) beyond the finished wall material.
- Complete the finished wall. Make sure that the finished wall is straight and plumb, and that the floor is flat and perpendicular to the finished wall.

IMPORTANT! Do not install any moldings that may inhibit the vanity from being plumb against the finished wall.



2. TEST FIT THE VANITY AND MARBLE

- Position the wooden vanity cabinet against the finished wall.
- Verify the wooden vanity cabinet is level front to back and side to side. If necessary, adjust the levelers on the bottom of the wooden vanity cabinet.
- Mark the supply and drain locations on the inside of the wooden vanity cabinet back wall. Move the wooden vanity cabinet away from the wall.
- Cut the marked supply and drain locations from inside of the wooden vanity cabinet using a hole saw.
- Position the wooden vanity cabinet against the wall, aligning the supply and drain locations with the cut holes on the wooden vanity cabinet back wall.



INSTALLATION INSTRUCTIONS

3. MARBLE TOP HOLE FABRICATION (OPTIONAL)

- ❑ Three faucet holes have been partially drilled from the underside of the console top.
- ❑ On the top, show surface, of the console top, locate the center of the required faucet holes. Using a compass or circle template, draw a circle for the required holes.
- ❑ Using a small hammer, create the faucet hole(s) by gently tapping the console top within the circles until the marble breaks away.

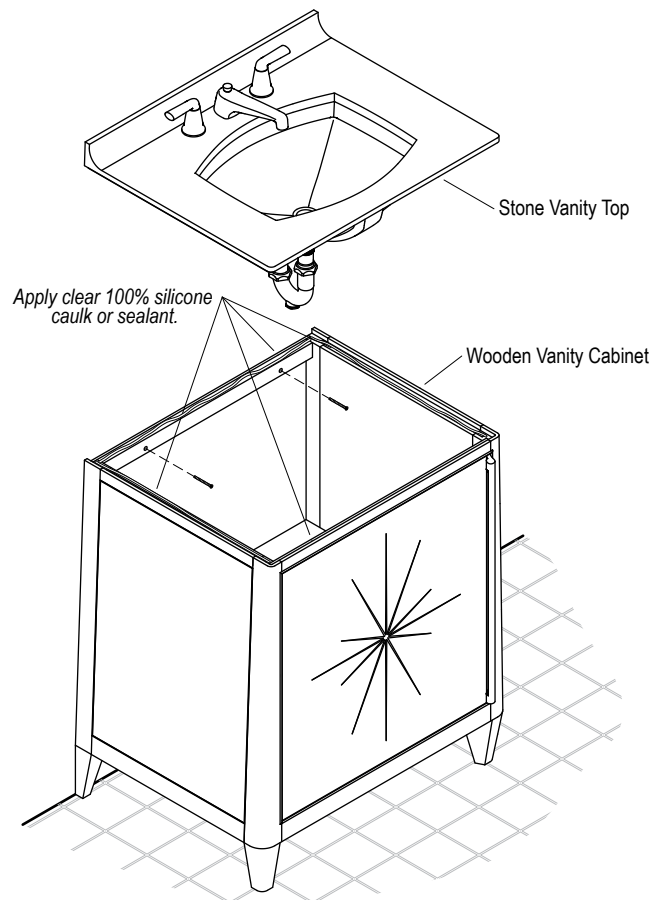
NOTE: DO NOT strike the console top with too much force. **DO NOT** strike from the bottom side of the console top. This will damage the top surface of the console top.

- ❑ Using a file or sanding cylinder, complete the removal of marble material to create a clean round hole.

4. INSTALL THE MARBLE TOP

NOTE: If using a lavatory with overflow, ensure that the lavatory is installed with the overflow to the front of the marble top and vanity.

- ❑ Install the lavatory and faucet to the marble vanity top at this time. Refer to the lavatory manufacturer's instructions for proper lavatory installation. Refer to the faucet manufacturer's instructions for proper faucet installation.
- ❑ With the help of an assistant, place the marble vanity top on top of the wooden vanity cabinet. Verify correct fit and alignment of all components. Adjust as necessary.
- ❑ With the help of an assistant, carefully remove the marble vanity top and set aside.
- ❑ Drill two pilot holes through the mounting rail and finished wall on each side of the wooden vanity cabinet. Make sure the two pilot holes are spaced a minimum of 16" (40.6 cm) apart from one another.
- ❑ Tighten a wood screw through each of the two drilled holes until the wooden vanity cabinet is flush and secure against the finished wall.
- ❑ Apply clear 100% silicone caulk or sealant to the top of the wooden vanity cabinet.
- ❑ With the help of an assistant, replace the marble vanity top on top of the wooden vanity cabinet. Verify correct fit and alignment. Adjust as necessary.

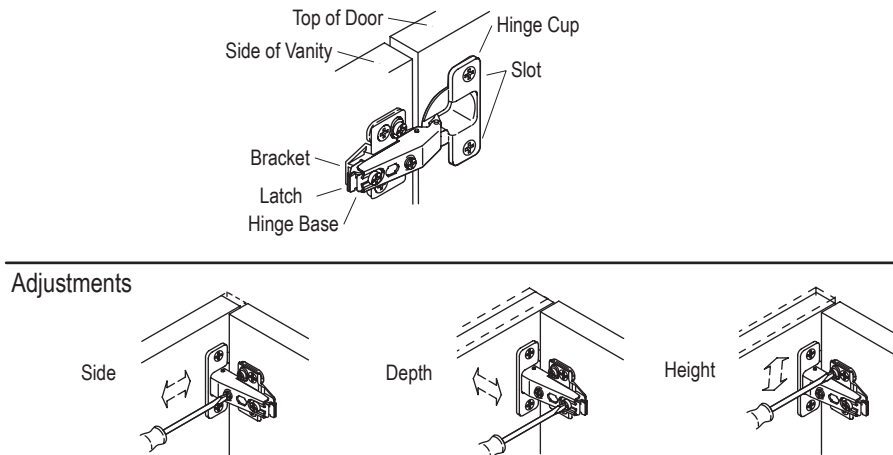


INSTALLATION INSTRUCTIONS

5. COMPLETE THE INSTALLATION

- If desired, apply a bead of caulk or silicone sealant where the marble console top meets the wall.
- Install the p-trap according to the manufacturer's instructions.
- Connect the water supply and check all connections for leaks. Repair as needed.

6. REMOVE/ADJUST THE DOORS AND HINGES



Door

Removal:

- Hold the door in place with one hand while releasing the latch from the bracket at each hinge assembly location on the door. The door will detach from the hinges. Set the door aside.

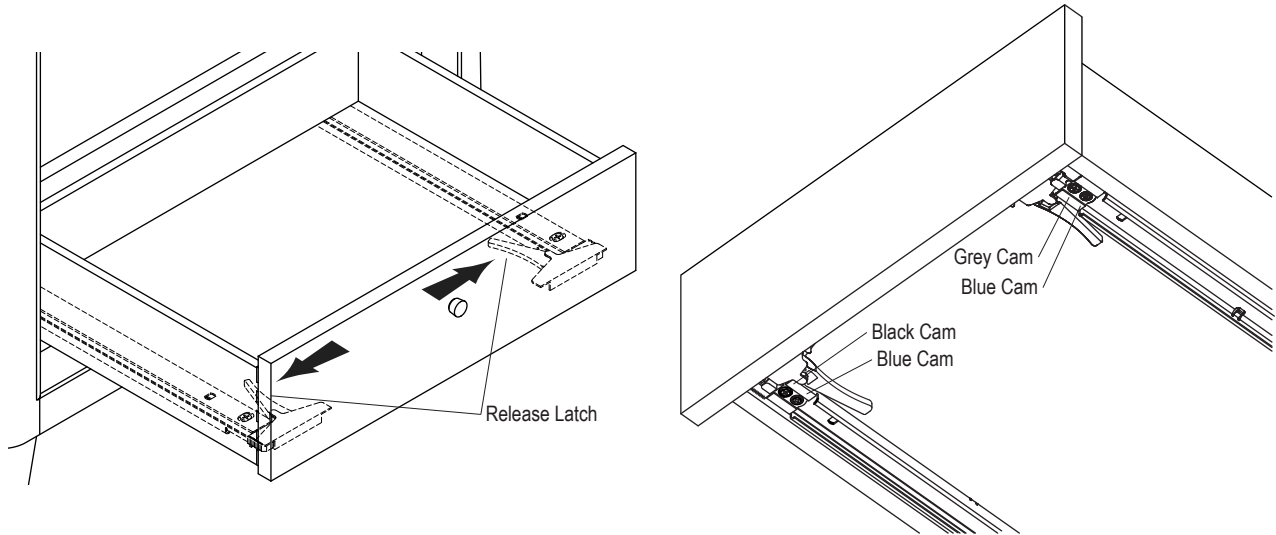
Replacement/Reinstallation:

- Line up the latch pin on the hinge cup with the groove on the hinge base, then snap into place.
- Open and close the door to confirm smooth operation. Adjust the screws on the hinge assembly as needed.

Adjustment:

NOTE: Refer to the hinge assembly illustration above to select the screw that corresponds to the adjustment needed.

- Height - to move the door up or down** - Turn the screw either way on the bottom and top hinge assembly until proper adjustment is achieved.
- Side - to move the door to the left or to the right** - Turn the screw either way on the bottom and top hinge assembly until proper adjustment is achieved.
- Depth - to move the door in or out** - Loosen the screw on the bottom and top hinge assembly, hold the door in the desired position, then retighten the screws.

INSTALLATION INSTRUCTIONS**7. REMOVE/ADJUST THE DRAWERS****To remove the drawer:**

- Slide the drawer out on the rails until fully extended.
- Press both release latches as shown, then pull the drawer toward you, off the rails.
- Lift the drawer out from the vanity.

To reinstall the drawer:

- Fully extend the rails.
- Align the holes on the rear of the drawer with the hooks on the rails and tilt into place.
- Push the drawer closed and continue to push until you hear both rails “snap” into place.
- Ensure the drawer is locked into place by opening the drawer and lightly lifting the front of the drawer upward. If the drawer does not lift up, it is engaged. If the drawer lifts up, repeat the above procedure.
- Slide the drawer in and out of the vanity to ensure smooth operation.

Adjustment:

- Slide the drawer out on the rails until fully extended.
- Turn the black cam one quarter turn counter clockwise to unlock.
- For horizontal adjustment, turn the grey cam clockwise or counter clockwise as needed.
- For vertical adjustment, turn the blue cam(s) clockwise or counter clockwise as needed.
- Re-lock the black cam after adjustments are made.