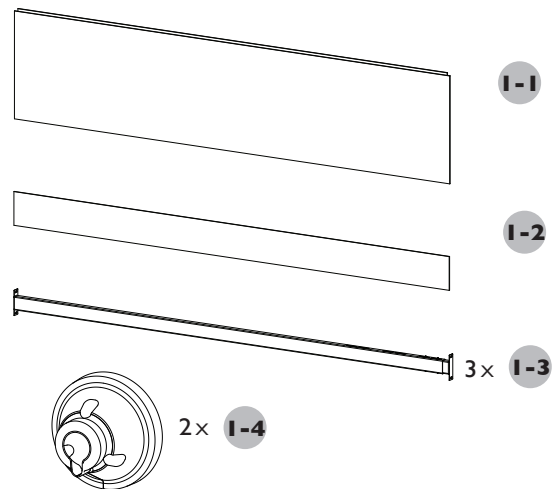


MULTIFIT SKIRT (ADJUSTABLE)

INSTALLATION

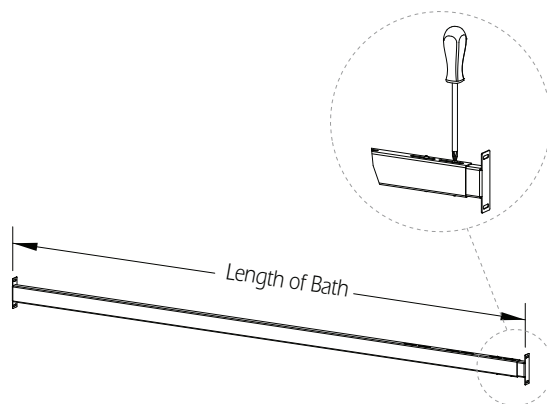
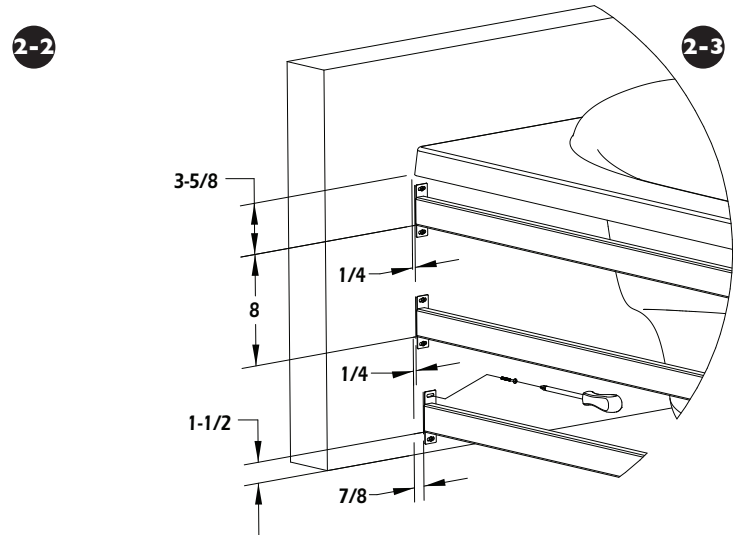
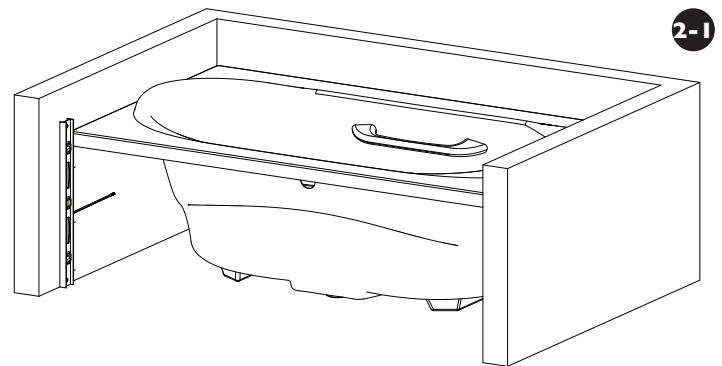
1. PARTS INCLUDED

1-1	Skirt
1-2	Toe kick
1-3	Crossbar
1-4	LED-cover (Required only for bath with chromotherapy).



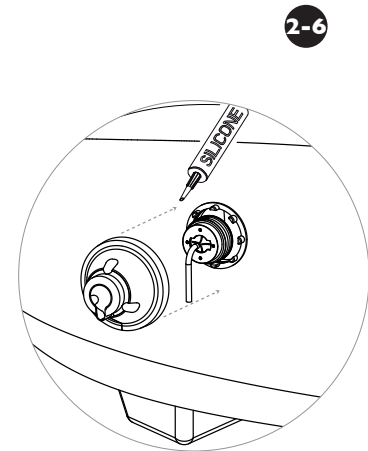
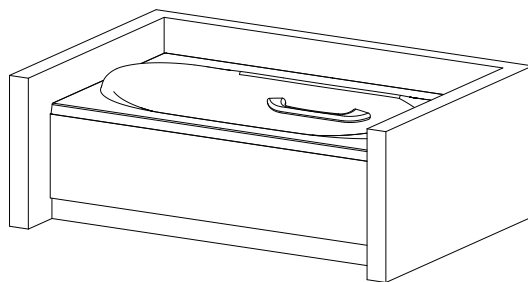
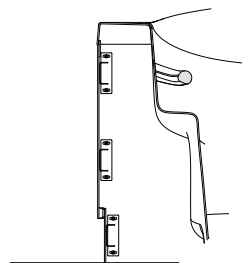
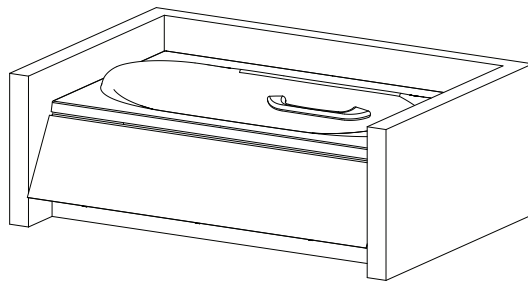
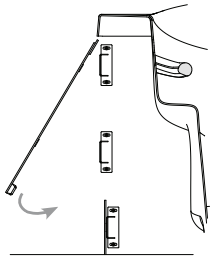
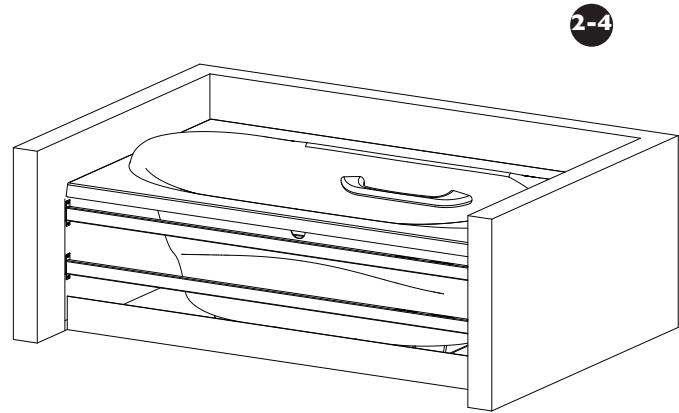
2. INSTALLATION

2-1	Holding a level against the side of the bath, trace a vertical guideline on both walls.
2-2	Adjust length of the 3 crossbars with the 4 screws at one crossbar end.
2-3	Fasten the 3 crossbars at the indicated dimensions using screws. Upper crossbar is positioned from the bottom of the ledge of the bath, and lower crossbar is positioned from the floor.



2. INSTALLATION (CONT'D)

2-4	Install magnetized toe kick to the lower crossbar.
2-5	Insert magnetized skirt behind the edge of the bath and install it to the 2 upper crossbars. If needed, unattach magnetized skirt and adjust depth of crossbars for better adjustment.
2-6	If needed, install LED-covers using silicone or sealant to prevent light from reflecting through the skirt.



SKIRTS