



# MORPHOSYS™

For Tekura 7242 and 6636 C-20 contour



Standard Color - White  
(Available from BainUltra)



Stainless steel panels & corners  
(Available from BainUltra)



Customizable panels (From other sources)

© BAINULTRA®

Wood panels & corners  
(Available from BainUltra)  
Freestanding installation

Morphosys is a concept that lets you transform your bathtub into a freestanding tub. What's more, it's designed to allow you to change the side panels as often as you want—with a multitude of color, texture, and design options to choose from. Talk to your design professional, who will be happy to help you make a selection.

With Tekura™, you get everything you need to extend the life of your bathtub and enjoy it for years to come!



The quest for your wellness™  
[www.bainultra.com](http://www.bainultra.com)

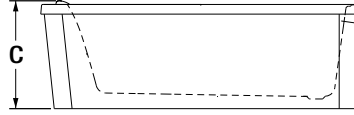
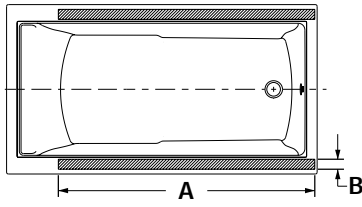


# MORPHOSYS™

For Tekura 7242 and 6636 C-20 contour

For technical information about Tekura 7242 or 6636 with C-20 contour, see the spec sheet at [www.bainultra.com](http://www.bainultra.com)

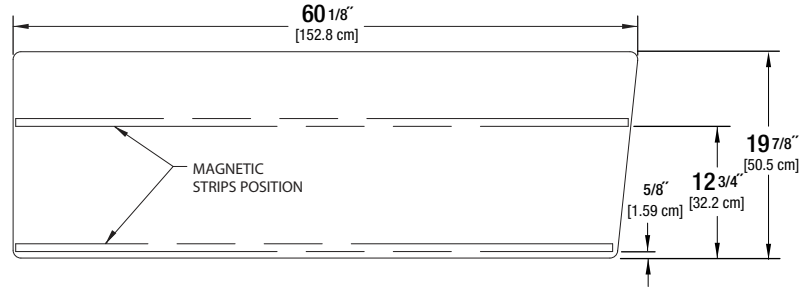
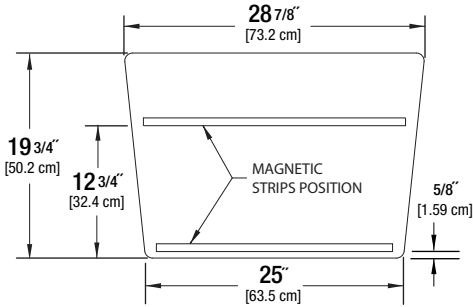
## FREESTANDING TEKURA 6636



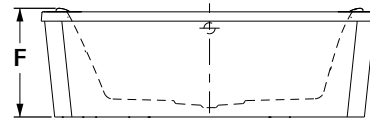
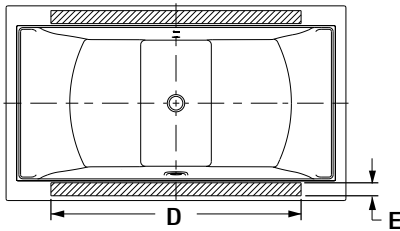
LETTER	DESCRIPTION	MEASURE
--------	-------------	---------

### FREESTANDING TEKURA 6636

A	Deck length	54 1/2"
B	Deck width	2 1/8"
C	Total height to headrest	22 1/4"



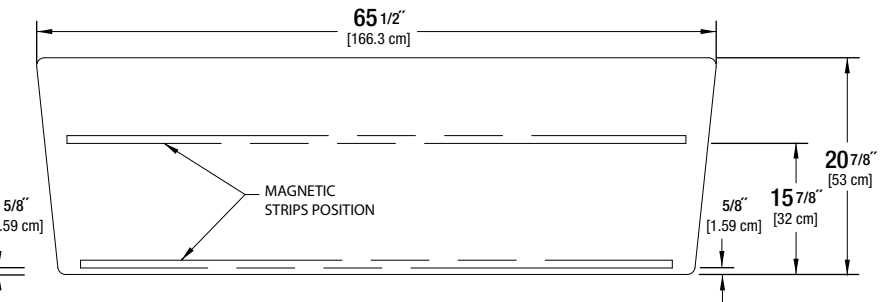
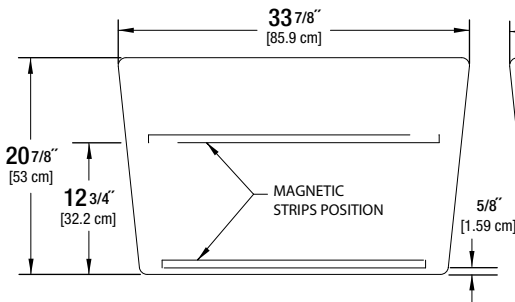
## FREESTANDING TEKURA 7242



LETTER	DESCRIPTION	MEASURE
--------	-------------	---------

### FREESTANDING TEKURA 7242

D	Deck length	53"
E	Deck width	2 3/4"
F	Total height to headrest	23 1/4"



## PANEL CHANGING INSTRUCTIONS

### Before you begin cutting

Make sure the base can easily bear the panels you choose. Long panels must not weigh more than 40 lbs spread equally across the whole surface, and short panels must be no heavier than 15 lbs. Panels must also be no more than 1/4" thick for easy insertion.

If you're unsure about anything, feel free to contact your design professional. Design professionals are familiar with all kinds of materials!

### Cutting

Use the indications and measurements provided above to cut the panels. Indications are also provided on where to stick the magnetized strips to the panels so that panels stay firmly attached to the base.

Make sure you have all the information you need before you start. For all questions, call BainUltra® at 1 800-463-2187.

1 800 463.2187 | From 8 a.m. to 8 p.m. Monday to Thursday (EST) . From 8 a.m. to 5 p.m. on Friday (EST)

The specifications shown indicate the outer edge dimension and the inside bathing capacity dimension measured at air jets' height. The manufacturer accepts a 1/4" [0.64 cm] variance. There are variations on each product and specifications are subject to change as we improve upon our product as required. The dimensions needed for site preparation and structure building will differ. BainUltra® assumes no responsibility for preparatory work done prior to the product being on site.