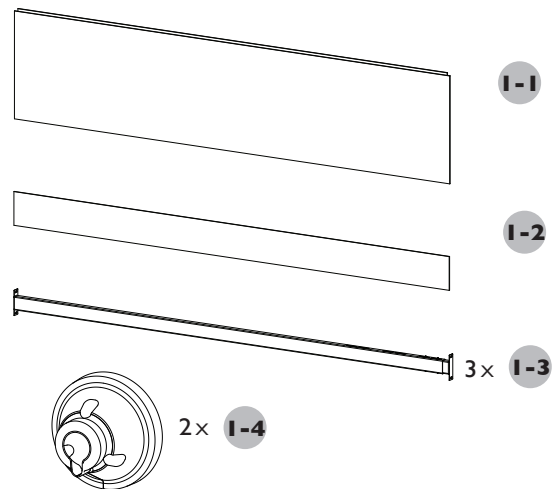


UNIVERSAL SKIRT

INSTALLATION

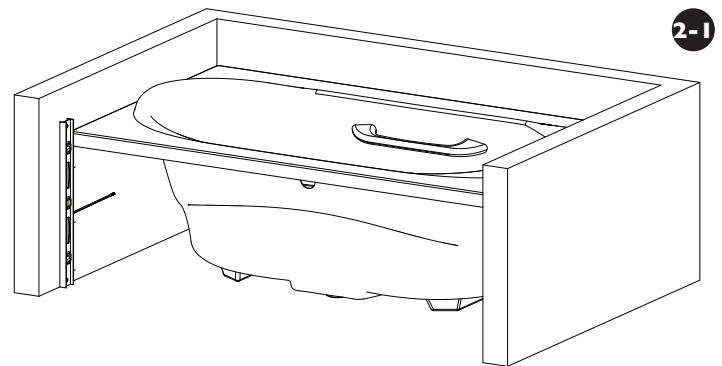
1. PARTS INCLUDED

1-1	Skirt
1-2	Toe kick
1-3	Crossbar
1-4	LED-cover (Required only for bath with chromotherapy).

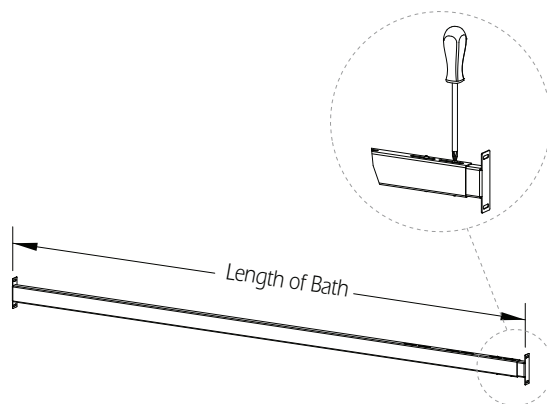


2. INSTALLATION

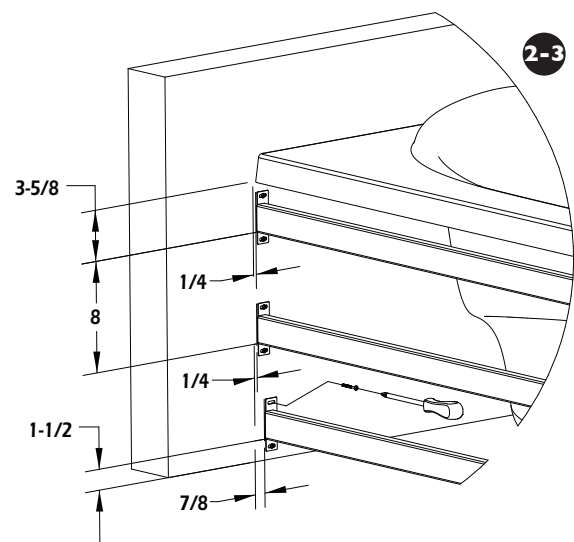
2-1	Holding a level against the side of the bath, trace a vertical guideline on both walls.
2-2	Adjust length of the 3 crossbars with the 4 screws at one crossbar end.
2-3	Fasten the 3 crossbars at the indicated dimensions using screws. Upper crossbar is positioned from the bottom of the ledge of the bath, and lower crossbar is positioned from the floor.



2-2



2-3



2. INSTALLATION (CONT'D)

2-4	Install magnetized toe kick to the lower crossbar.
2-5	Insert magnetized skirt behind the edge of the bath and install it to the 2 upper crossbars. If needed, unattach magnetized skirt and adjust depth of crossbars for better adjustment.
2-6	If needed, install LED-covers using silicone or sealant to prevent light from reflecting through the skirt.

