

PRODUCT SHEET
INUA 6036

60 x 36 x 23

Reconnect with your inner life force.



© BAINULTRA®

FEATURES	
Installation type	Drop-in
No. of bathers	1
Raised seat	1
Heated backrest	1
Inverted V	1
Armrests	2
Grab bars (color match)	2
Control	MiaPlus
ThermoMasseur® bath	\$
Soaker bath	N/A

THERAPIES	
Chromatherapy 2-LED	\$
Sound Therapy (Euphonia® System)	\$

COLORS	
Standards	
White	Bone
Biscuit	Almond
Optionals	
Black	Mexican sand
Cashmere	Sandbar
	Grey

WARRANTY	
Controls*	5 years
Bath & turbine*	20 years
*Some restrictions apply bainultra.com/warranty	



IMPORTANT: KEEP THE ORIGINAL. PLEASE MAKE COPIES.

INUA 6036 60 x 36 x 23

ACCESSORIES - OPTIONAL

Clear acrylic grab bars With Chrome, Brass or Brushed nickel inserts \$

TOTAL PRICE \$

Therapeutic comfort cushion - INCLUDED

The removable cushions are equipped with magnets to hold them firmly in place. Their ultraresistant polyurethane construction makes them:

Extremely comfortable and soft to the touch

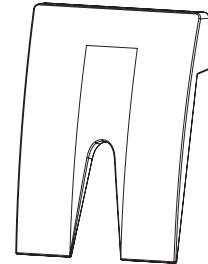
Fully waterproof

Remarkably durable

Color available: Warm Gray + Black

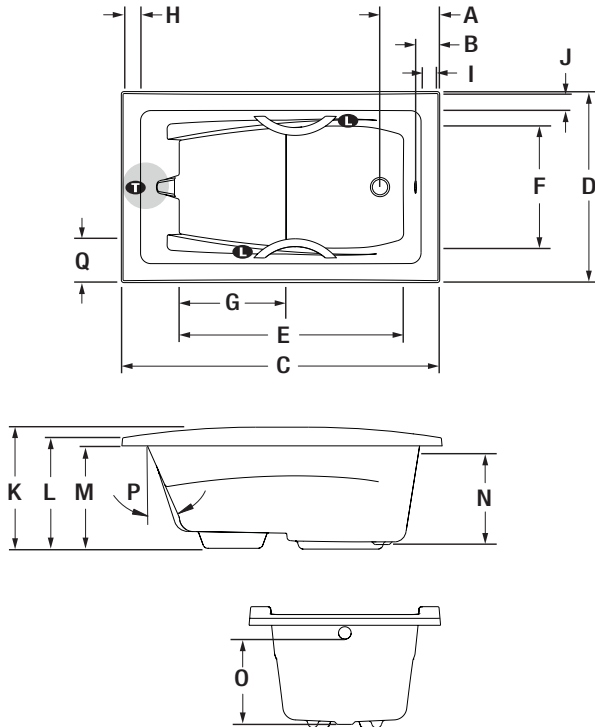
⚠ WARNING

this product contains magnetic materials. It should not be used by individuals with a pacemaker, defibrillator, or any other electro-medical device.



For technical information on the cushion material, go to: corium-ut.com

Bath installation



LETTER	DESCRIPTION	MEASURE
A	Outside edge to center drain	11 1/4"
B	Outside edge to overflow	4 1/2"
C	Total length	60"
D	Total width	36"
E	Bathing well length	42 1/4"
F	Bathing well width	23"
G	Raised seat length	20 1/8"
H	Deck width at backrest end	4 1/8"
I	Deck width at drain end	4 1/8"
J	Deck width	4"
K	Height from bottom of tub to top deck	23"
L	Height from bottom of tub to top deck	21"
M	Height from bottom of tub to bottom of lip	19 1/2"
N	Height from drain to center of overflow	17 1/8"
O	Maximum water level	15 3/8"
P	Slope of backrest	24"
Q	Minimum spout reach	8"

T Indicates turbine position
 ● Indicates heated backrest

L Indicates LED light position

INUA 6036 TECHNICAL SPECIFICATIONS

Jets	46	Hot water supply required	Should be 70% of water capacity of tub or greater.	
US gallons	54		Turbine access	Must be at least 18" X 22" to access the pump. Must be connected to a 15 A, 120 V, 60 Hz, protected by a ground-fault circuit interrupter (GFCI) on a dedicated line.
Imp. gallons	45			Standards
Approx. shipping weight	137 lbs	Our products must be installed by certified professionals only and according to our Owner's Manual as well as federal, provincial/state and local building codes and regulations (www.bainultra.com/documentation).		
Turbine power	755 W			
Air heater	700 W			

1 800 463.2187 | From 8 a.m. to 8 p.m. Monday to Thursday (EST) . From 8 a.m. to 5 p.m. on Friday (EST)

The specifications shown indicate the outer edge dimension and the inside bathing capacity dimension measured at air jets' height. The manufacturer accepts a 1/4" [0.64 cm] variance. There are variations on each product and specifications are subject to change as we improve upon our product as required. The dimensions needed for site preparation and structure building will differ. BainUltra® assumes no responsibility for preparatory work done prior to the product being on site.