

PRODUCT SHEET

CELLA 6036

60 x 36 x 26

Unique elegance.



© BAINULTRA®

FEATURES	
Installation type	Freestanding
No. of bathers	1
Heated backrest	1
Claw feet	Included
Control	MiaMulti
ThermoMasseur® bath	\$
Soaker bath	\$

THERAPIES	
Euphonia® Headset	\$
Chromatherapy 2-LED	\$

COLORS	
Standards	
White	Bone
Biscuit	Almond
Optionals	
Black	Mexican sand
Innocent blush	Cashmere
Sandbar	Grey
Claw feet	
Chrome	Polished nickel
Brushed nickel	Brass
Oil-rubbed bronze	

WARRANTY	
Controls*	5 years
Bath & turbine*	20 years
*Some restrictions apply www.bainultra.com/warranty	



IMPORTANT: KEEP THE ORIGINAL. PLEASE MAKE COPIES.

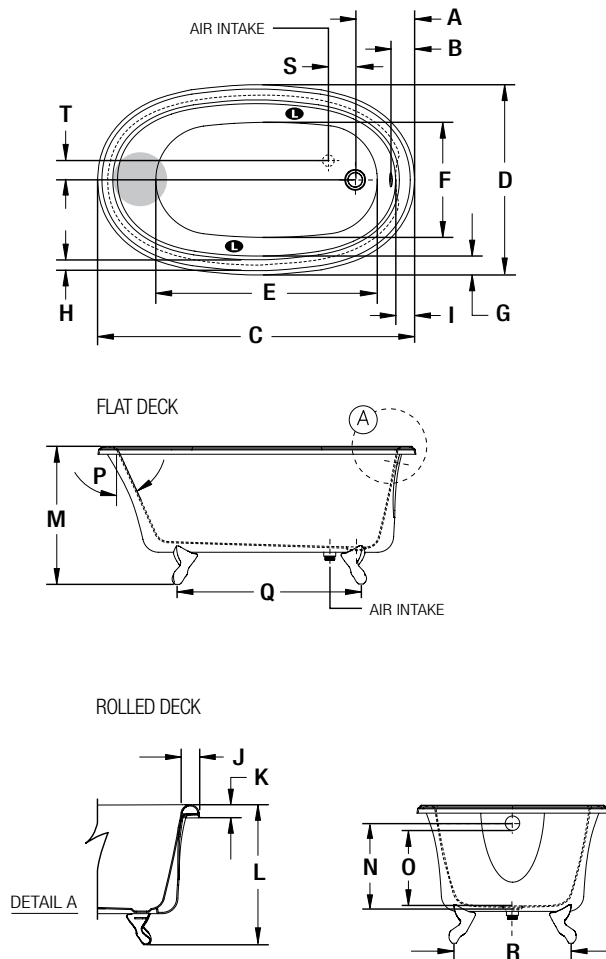
CELLA 6036 60 x 36 x 26

ACCESSORIES - OPTIONAL

Drain & overflow (Exposed)	D-13 (Balneo)	
	- Chrome	\$\$
	- Brushed nickel, Polished nickel, Brass, Unplated	\$\$
	- Oil-rubbed bronze	\$\$
For air supply only	Decorative pipe (1 1/2" x 6")	\$\$
	Decorative pipe (1 1/2" x 24")	\$\$
	Pipe concealer (3" x 1 1/4")	\$\$
	Elbow (45°)	\$\$
	Elbow (90°)	\$\$

Others	<ul style="list-style-type: none"> - There is a height difference for the rolled deck (see drawing Detail A). - Faucets must be freestanding or wall mounted. - The turbine must be remotely installed.
---------------	--

TOTAL PRICE	\$\$
--------------------	------



LETTER	DESCRIPTION	MEASURE
A	Outside edge to center drain	11 1/4"
B	Outside edge to overflow	3 5/8"
C	Total length	60"
D	Total width	36"
E	Bathing well length	42 1/8"
F	Bathing well width	21 7/8"
G	Deck width	3 7/8"
H	Flat surface width	2 1/2"
I	Deck width	4"
J	Rolled deck width	3 7/8"
K	Height from bottom of lip to top deck	2 1/2"
L	Height from clawfoot to top of lip	26"
M	Height from clawfoot to top of lip	26"
N	Height from drain to center of overflow	15 5/8"
O	Maximum water level	13 7/8"
P	Slope of backrest	25°
Q	Length between clawfeet	34 3/4"
R	Width between clawfeet	22 3/4"
S	Distance from center air intake to center drain	5 1/2"
T	Distance from center air intake to center drain	≥ 2"

● Indicates heated backrest | ● Indicates LED light position

CELLA 6036 TECHNICAL SPECIFICATIONS

Jets	37	Hot water supply required	Should be 70% of water capacity of tub or greater.	
US gallons	44		Turbine access	Must be at least 18" X 22" to access the pump. Must be connected to a 15 A, 120 V, 60 Hz, protected by a ground-fault circuit interrupter (GFCI) on a dedicated line.
Imp. gallons	37			Standards
Approx. shipping weight	275 lbs	Our products must be installed by certified professionals only and according to our Owner's Manual as well as federal, provincial/state and local building codes and regulations (www.bainultra.com/documentation).		
Turbine power	755 W			
Air heater	700 W			

1 800 463.2187 | From 8 a.m. to 8 p.m. Monday to Thursday (EST) . From 8 a.m. to 5 p.m. on Friday (EST)

The specifications shown indicate the outer edge dimension and the inside bathing capacity dimension measured at air jets' height. The manufacturer accepts a 1/4" [0.64 cm] variance. There are variations on each product and specifications are subject to change as we improve upon our product as required. The dimensions needed for site preparation and structure building will differ. BainUltra® assumes no responsibility for preparatory work done prior to the product being on site.